

garmotor
for swing gates



wingo

Instructions and warnings for the fitter

Istruzioni e avvertenze per l'installatore

Instructions et recommandations pour l'installation

Anweisungen und hinweise für den installateur

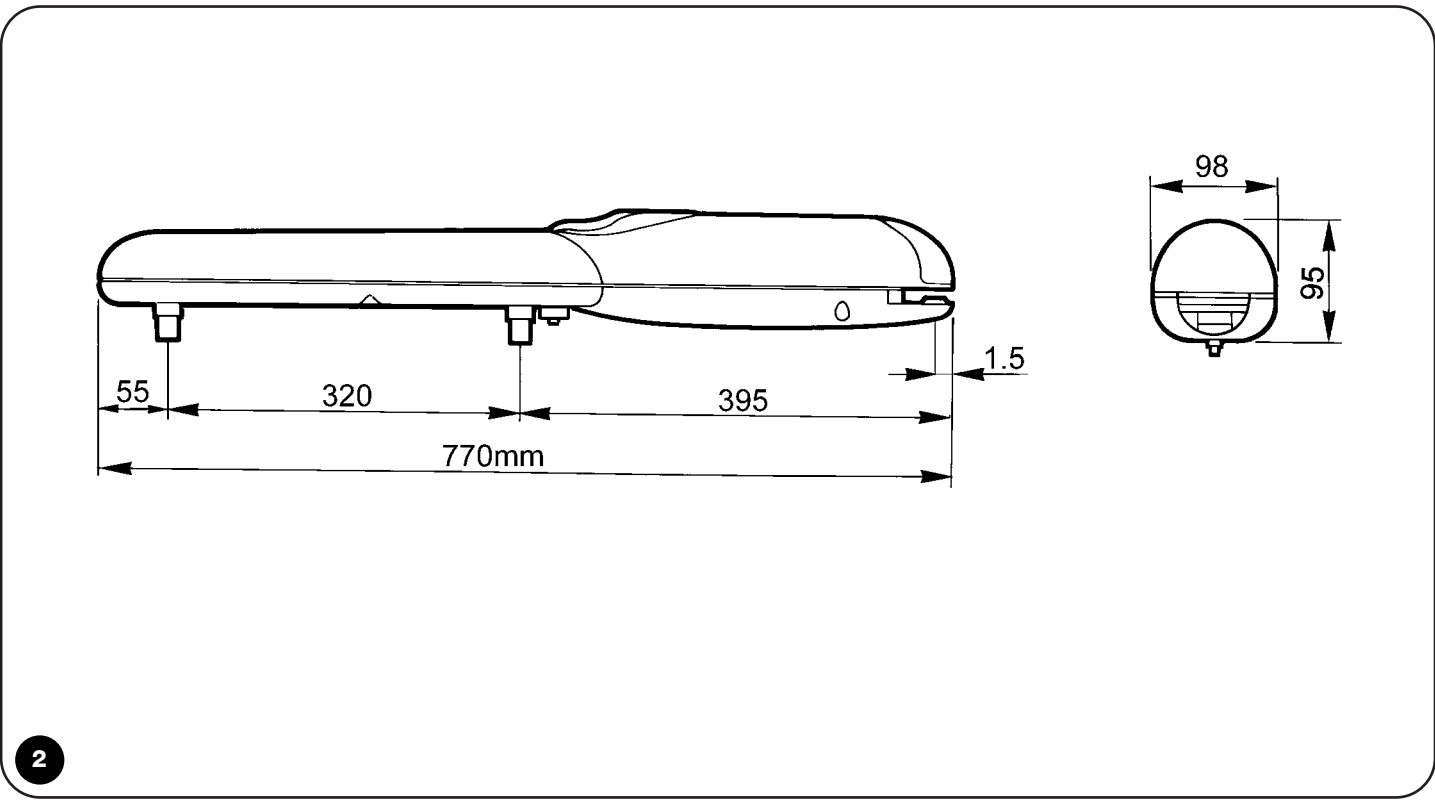
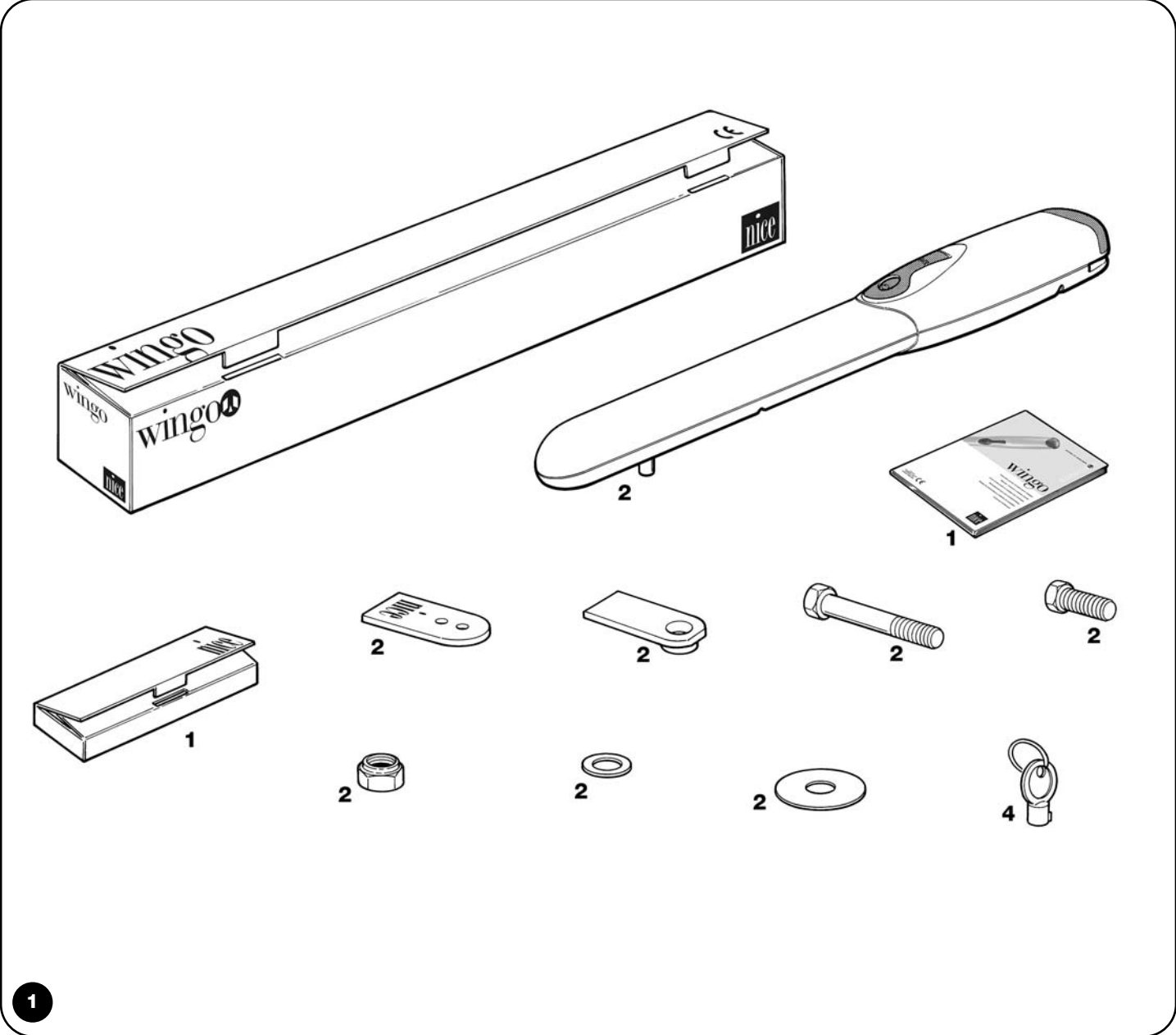
Instrucciones j advertencias para el instalador

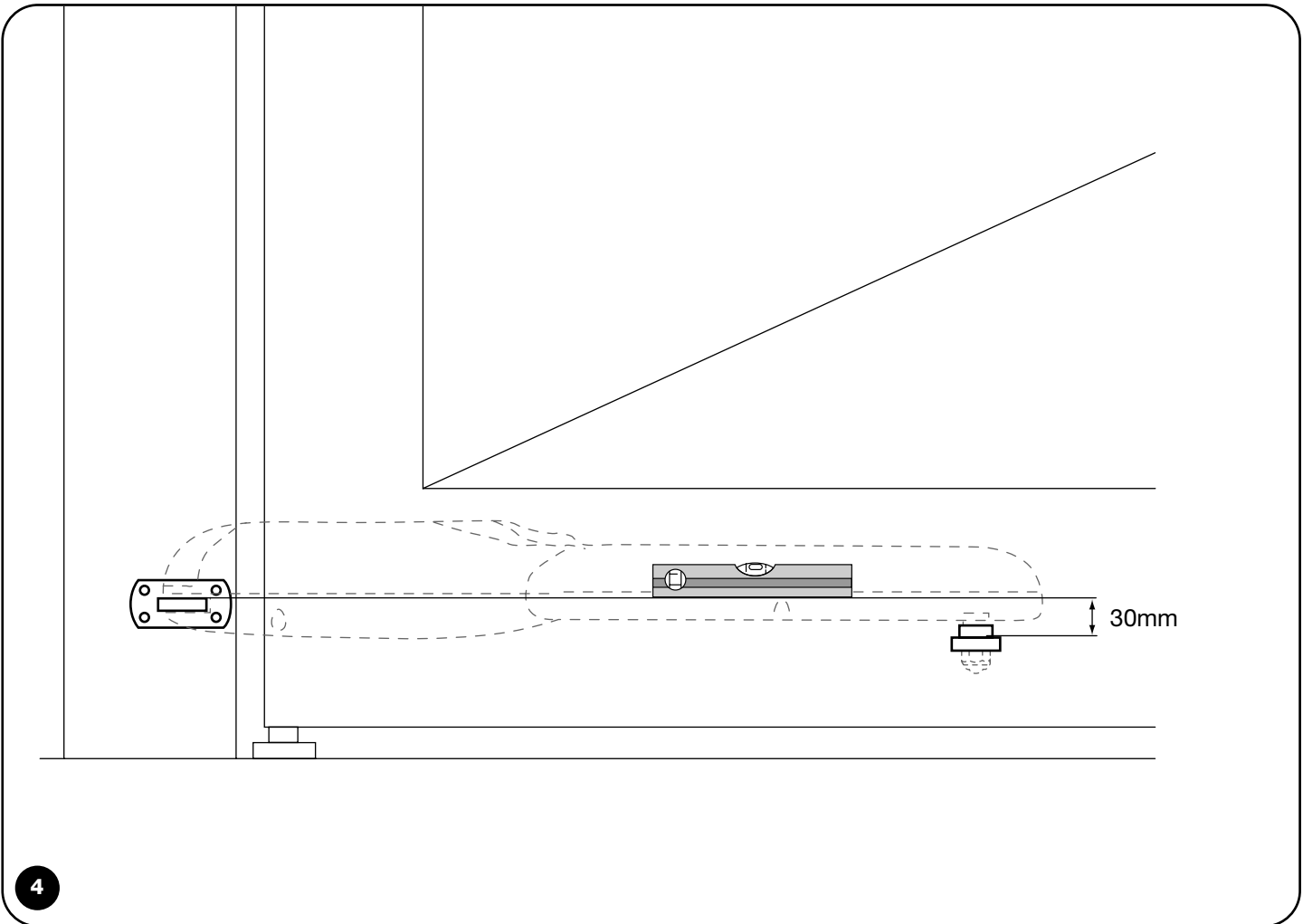
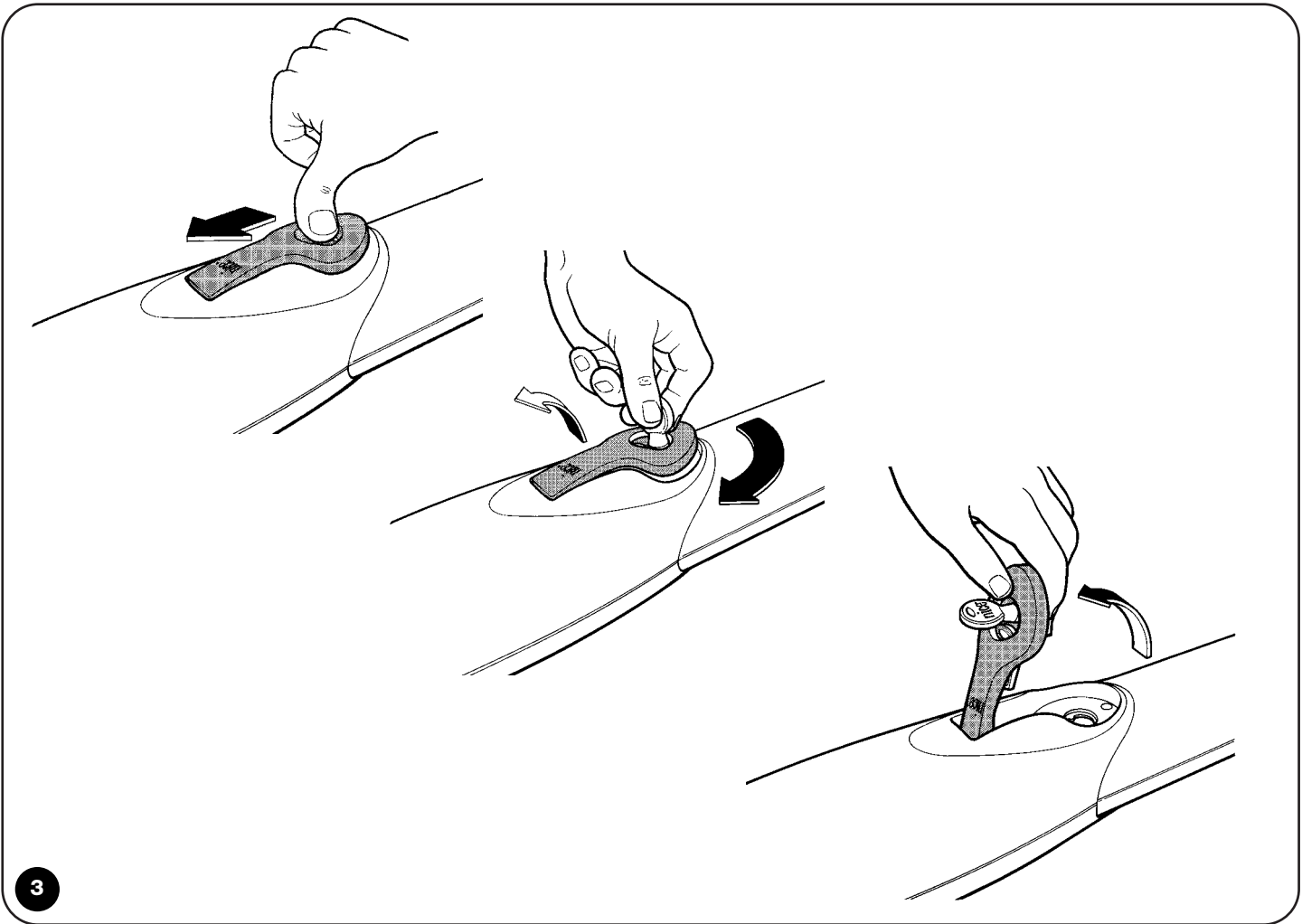
Instrukcja dla instalatora

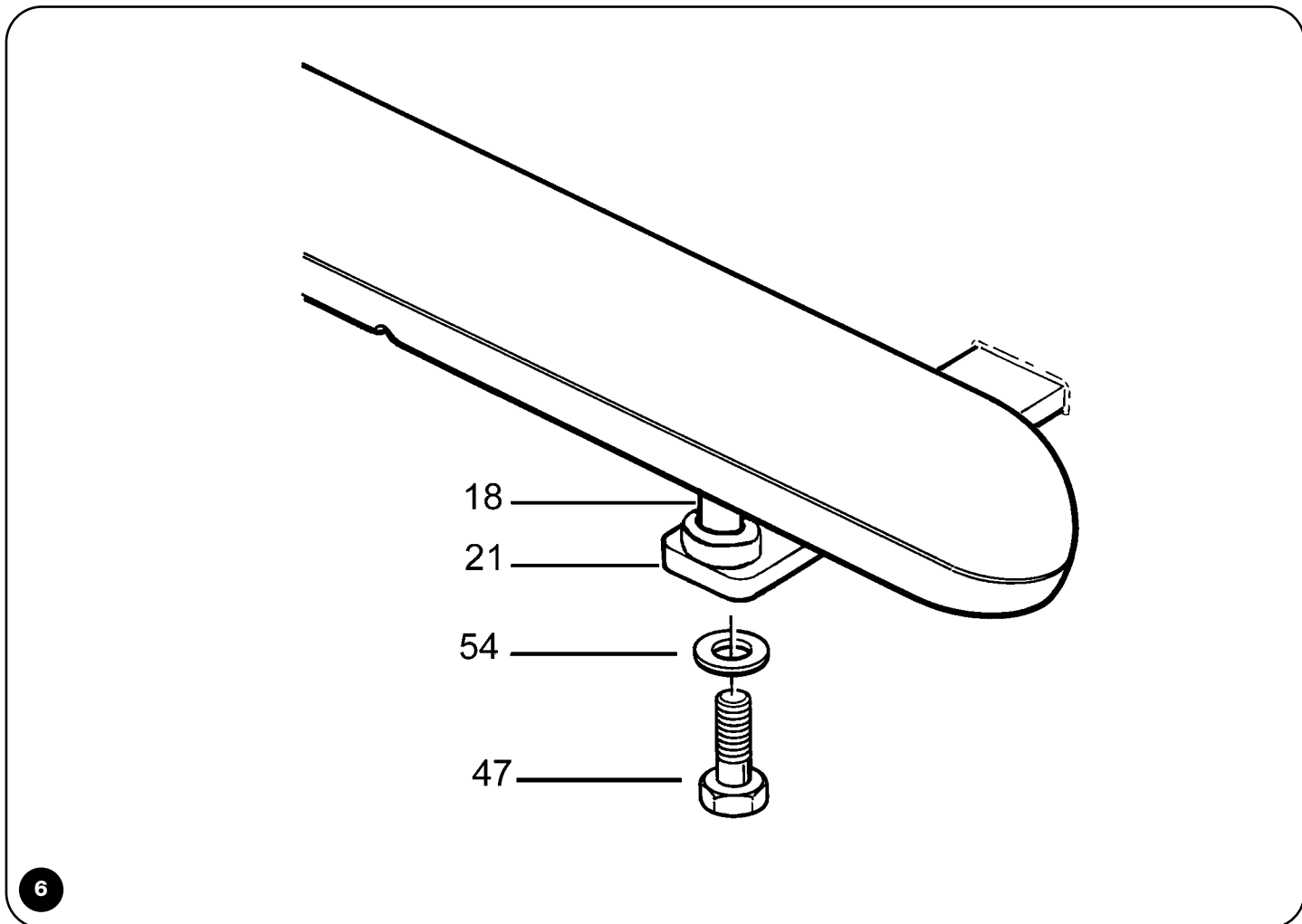
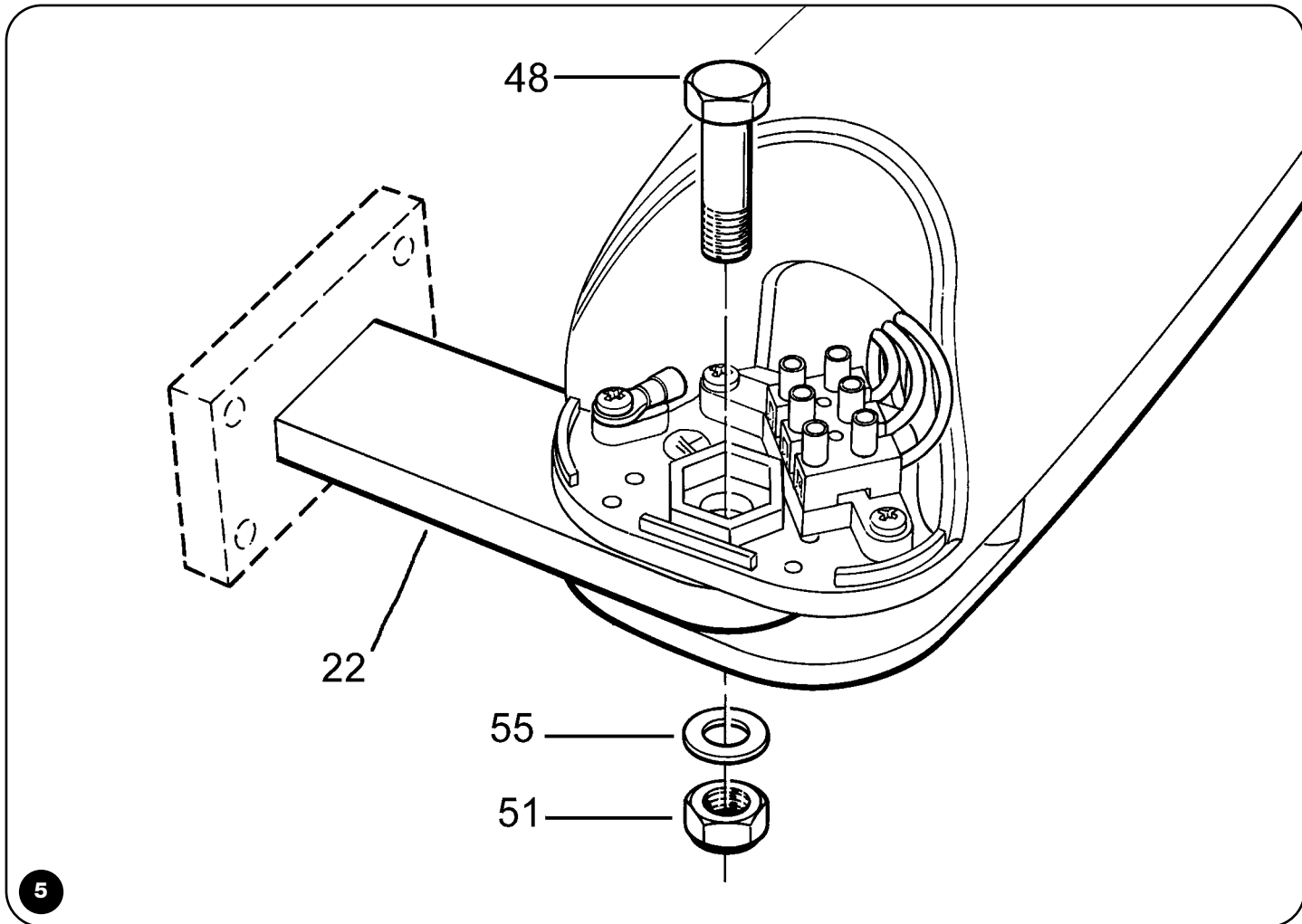
COMPANY
WITH QUALITY SYSTEM
CERTIFIED BY DNV
=ISO 9001/2000=



Nice







wingo

Table of contents:		pag.			pag.
1	Product description	2	3	Manual manoeuvre or release	6
2	Installation	2	4	Testing	6
2.1	Preliminary checks	2	5	Maintenance	6
2.2	Limits of use	2	5.1	Disposal	6
2.3	Assembly	3	6	Technical specifications	6
2.3.1	Fitting the rear bracket	3	6.1	Models and characteristics	6
2.3.2	Fitting the front bracket	4		Instructions and warnings for users of the WINGO gear motor	7
2.3.3	Opening the gate outwards	4			
2.4	Typical system layout	5			
2.5	Connecting the gear motor	5			

Important information

Congratulations on choosing this Nice product. Please read this handbook carefully.

To make these instructions easier to follow, we have, wherever possible, put them in the order in which they will be carried out during the various system installation phases.

Please read these instructions and the attached "Warnings for fitters" file carefully before installing the product as they contain important information concerning safety, installation, use and maintenance.

Anything not expressly specified in these instructions is forbidden. Operations not indicated in these instructions may cause damage to the product, people and property.

Nice declines all liability for badly built gates or any deformations that may occur during use.

Do not install the product in explosive atmospheres.

1) Product description

WINGO is an electromechanical gear motor for automating the movement of single or double leaf residential gates.

A NICE control unit should be used to ensure the gear motor works correctly.

The release device allows the gate to be opened manually.

2) Installation

2.1) Preliminary checks

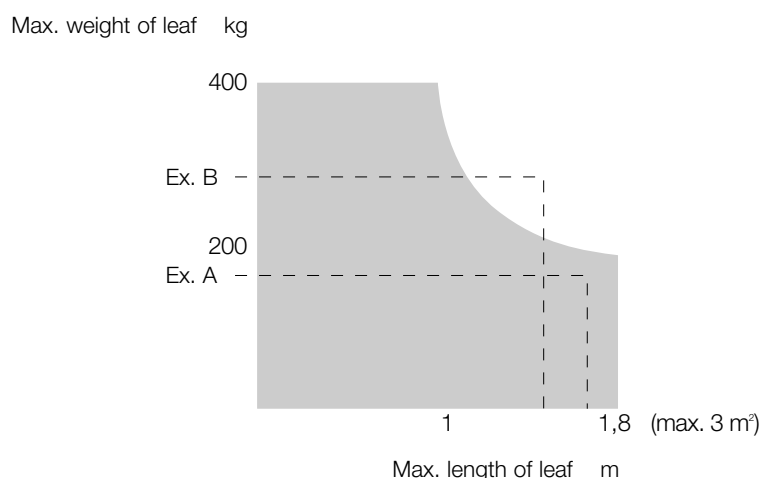
Before proceeding with installation, check that the structure is suitable, that is, make sure it complies with current standards; make especially sure that:

- the gate does not stick when opening or closing;
- the gate is well balanced, that is, if it stops in any position it remains motionless;
- the gate moves silently and smoothly;
- the area identified for fitting the gear motor ensures the gate can be moved easily and safely;
- the packaging is undamaged, please see **fig.1**;
- the assembly area is compatible with the size of the gear motor (**fig.2**), bearing in mind that the opening of the gate and the motor thrust applied depend on where the rear bracket is fixed. Before proceeding with installation, therefore, please read paragraph 2.3 "Assembly", to make sure the gate has a sufficient opening angle and thrust to satisfy customer requirements.

⚠ Please remember that WINGO powers a gate (with one or two leafs) which must be in good condition and safe; it cannot make up for defects caused by incorrect installation or bad maintenance.



2.2) Limits of use

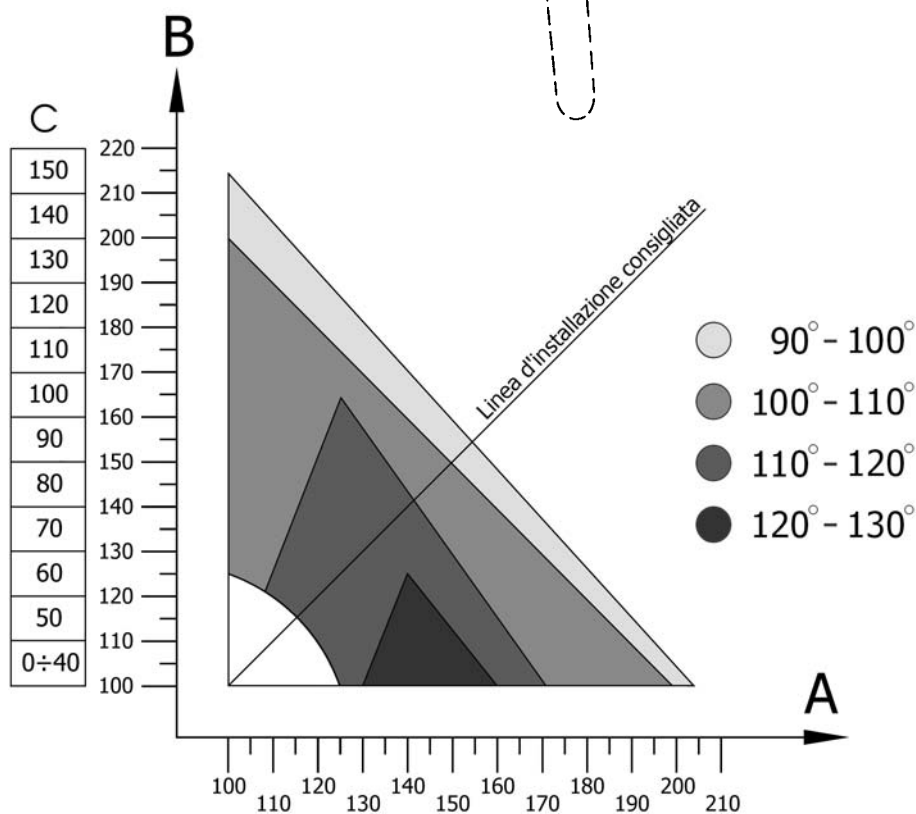
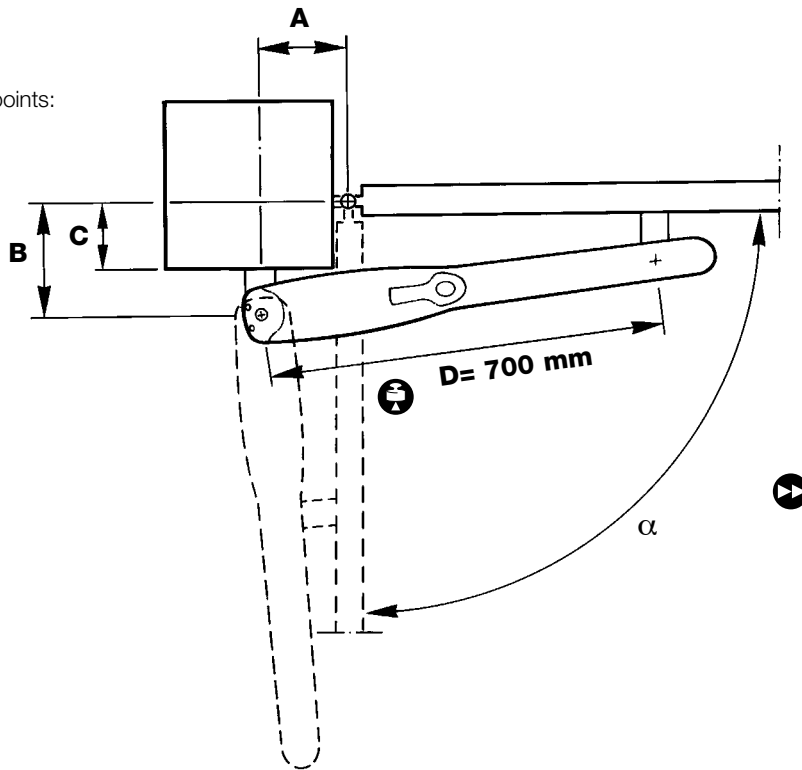
The shape, the height of the gate (e.g.: blind) and the weather conditions (e.g.: strong winds) can considerably reduce the values shown in the graph to the side.



2.3) Assembly

To assemble the system correctly, check the following points:

- 1) Projection of column **C**
- 2) Opening angle α
- 3) Speed 
- 4) Thrust 



2.3.1) Fixing the rear bracket

Carry out the following operations:

- 1.1** Measure the value of C (e.g.: 70mm).
- 1.2** Find the value of C in the graph and draw a horizontal line (**fig.8**).
- 1.3** Find the minimum value of "B" on the graph using the straight line you have just drawn (the example shows 130 mm **fig.9**), the area above the line contains the points where the bracket can be fixed.
- 2** There is a relationship between the opening angle of the gate and the positions of the bracket (A and B) as can be seen in the graph relative to the product (paragraph on fixing the rear bracket) where the different coloured areas represent the maximum

- 3** permitted angles. If, for example (**fig.9**), the gate must be opened by 100°÷110°, A and B must identify a point on the graph belonging to the corresponding colour area. Inside this area, remember that the thrust applied to the gate and the opening and closing time are directly proportional to the values of A and B and that these values must be similar for linear operation; the recommended installation line should therefore be respected.

2.3.2) Fixing the front bracket

The front bracket (21) is fitted with its clamp to the gate according to the distance **D** (see drawing in paragraph 2.3 - Assembly); before fixing permanently:

1. Check that the closing line of the gear motor is perfectly horizontal (**fig.4**).
2. Open and close the gate by hand to check it moves smoothly.
3. Remove the gear motor and weld the front bracket (21).

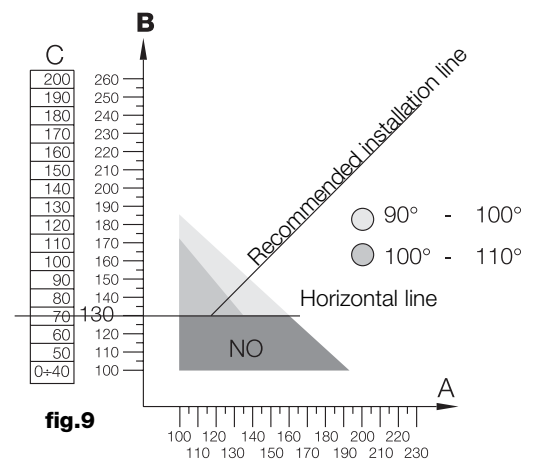
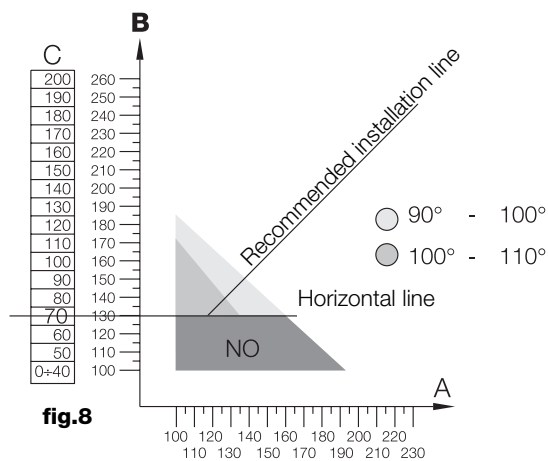
Fixing the rear of the gear motor (fig.5)

Fix WINGO to the bracket (22) using the screw (48), washer (55) and nut (51); completely tighten the latter and then unscrew it by about 1/10 of a turn to give a little play.

Fixing the front of the gear motor (fig.6)

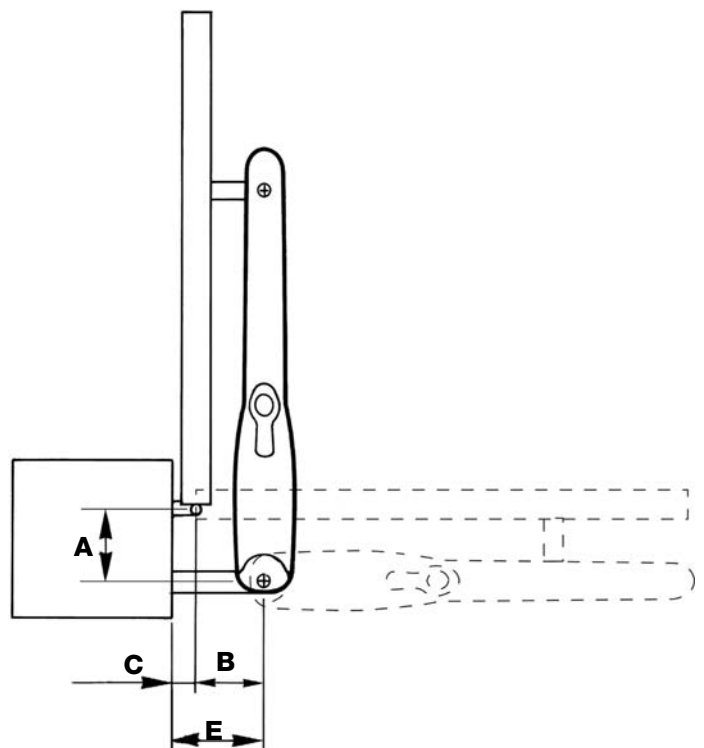
Fit the front fork of WINGO (18) into the front bracket (21) and clamp with the screw (47) and washer (54).

Example

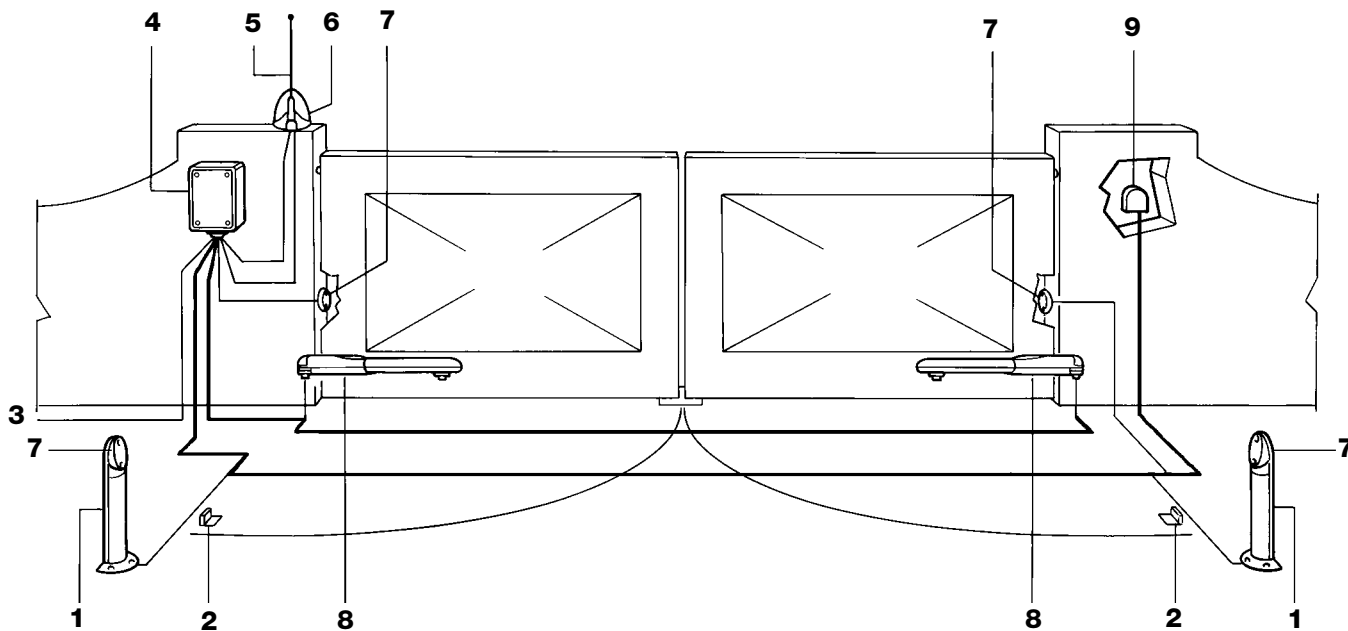


2.3.3) Opening the gate outwards

If the value of **E** is greater than 140mm, lengthen the bracket personally.



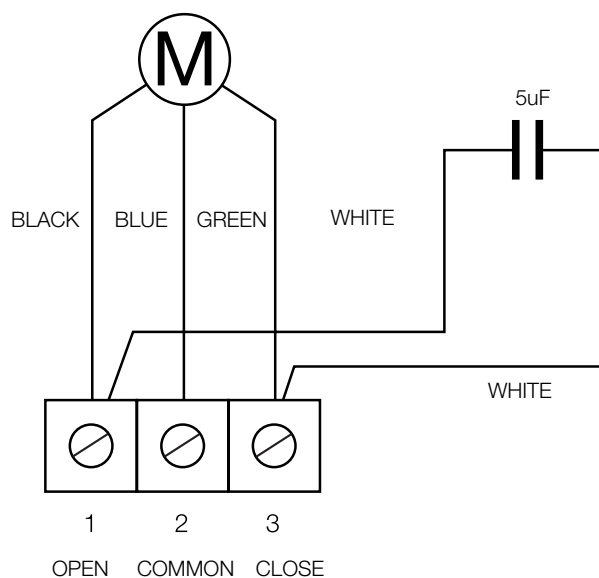
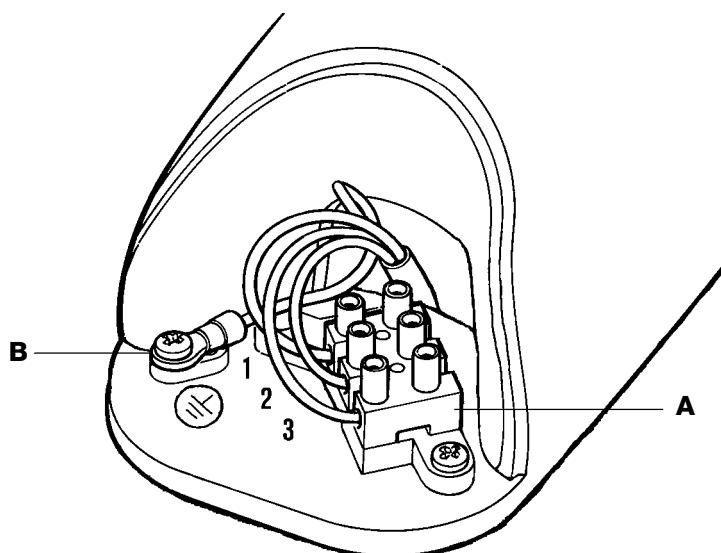
2.4) Typical system layout



- 1 Column for photocells
- 2 Pair of opening travel stops
- 3 Mains power line
- 4 A400 control unit
- 5 Aerial
- 6 Flashing lamp
- 7 Photocell
- 8 WINGO actuator
- 9 Key switch or digital keypad

2.5) Connecting the gear motor

Respecting the numbering in the table, connect the product to the terminal board (A) following the electrical diagram.



⚠ Please remember always to connect the grounding cable (B) in conformity with the laws in force (EN 60204 - CEI 64-1, EN 60335)

3) Manual manoeuvre or release

The gate must be moved manually (**fig.3**) in case of a power failure or a system fault.

Manual movement allows the gear motor to move freely only if this is correctly mounted and original accessories have been used.

4) Testing

The whole system must be tested by qualified and expert staff who must perform the tests required, according to the relative risk.

To test WINGO, proceed as follows:

- close the gate;
- disconnect the power supply from the control unit;
- release the gear motor;
- completely open the gate by hand;
- check that the gate does not stick when moving;
- check that when the gate is stopped at any point it remains motionless;
- check that the safety system and mechanical stops are in good condition;
- check that the screw connections are perfectly tight;
- check that the lead nut and internally threaded screw are well greased;
- check that the photocells are clean;
- after the above checks, block the gear motor and power the control unit.
- WINGO does not have a torque adjustment device; this kind of adjustment is therefore made by the control unit.
- measure the force of impact as required by EN12453 and EN12445 standards.

5) Maintenance

WINGO does not require any special maintenance, but a scheduled control at least every six months will ensure the gear motor lasts longer and that the system works correctly and safely.

Maintenance simply involves repeating the test procedure.

5.1) Disposal

WINGO comprises various types of materials which must be disposed of in compliance with the laws of the country of installation. There are no particular dangers or risks deriving from demolition of the system.

If waste sorting is required, the components should be grouped by type of material (electrical, aluminium, plastic, etc.).

6) Technical specifications

6.1) Models and characteristics

		WG4000	WG4000/V1
Power input	(Vac/Hz)	230/50	110/60
Absorbed current	(A)	0,5	1
Absorbed power	(W)		120
Incorporated condenser	(uF)	5	10
Protection level	(IP)		44
Speed	(m/s)	0,016	0,020
Travel	(mm)		320
Max. thrust	(N)		1500
Operating temp.	(°C Min/Max)		-20 ÷ +50
Thermal protection	(°C)		140
Work cycles	(%)		30
Weight	(kg)		5

gear motor
for swing gates



GB



wingo

Instructions and warnings for users of the WINGO gear motor

Congratulations on choosing a Nice product for your automation system!

Nice S.p.A. produces components for automating gates, doors, shutters and awnings: gear motors, control units, radio control units, flashing lights, photocells and accessories.

Nice only uses first rate materials and production processes and constantly develops innovative technical, aesthetic and ergonomic solutions in order to make its products as simple to use as possible: your fitter will certainly have chosen the most suitable article for your requirements from the large range of Nice products.

Nice however, is not the producer of your automated system as this is the result of a process of analysis, evaluation, choice of materials and installation performed by your fitter.

Each automated system is unique and only your fitter has the experience and professionalism required to create a system that is tailor-made to your requirements, featuring long-term safety and reliability, and, above all, professionally installed and compliant with current regulations.

An automated system is handy to have as well as being a valid security system. Just a few, simple operations are required to ensure it lasts for years.

Even if your automated system satisfies regulatory safety levels, this does not eliminate "residue risks", that is, the possibility of dangerous situations being generated, usually due to irresponsible or incorrect use. For this reason we would like to give you some suggestions on how to avoid these risks:

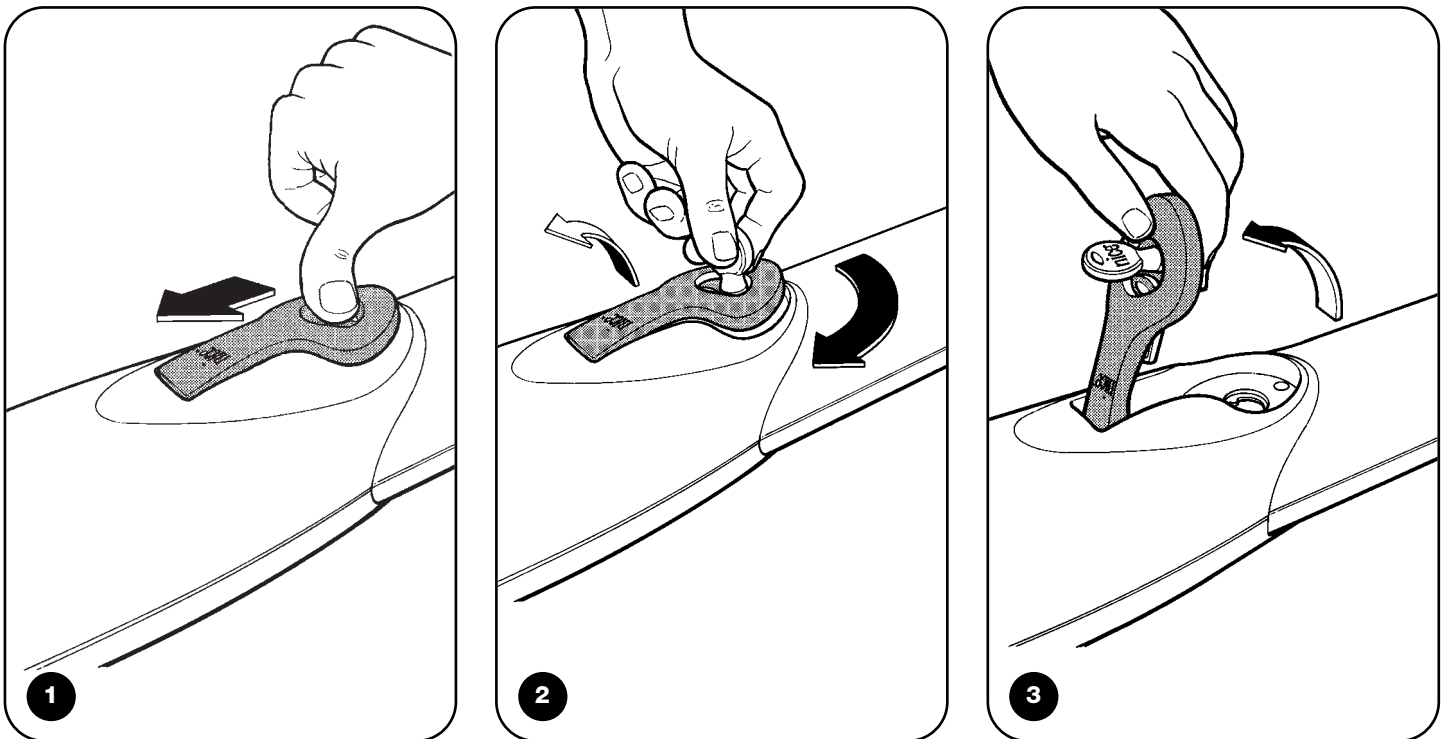
- **Before using your automated system for the first time**, ask your fitter to explain how residue risks can arise and spend a few minutes reading the **instructions and warnings for the user** handbook that the fitter will have given you. Keep this manual for future use and, if you should ever sell your automated system, hand it over to the new owner.
- **Your automated system is a machine which carries out your commands to the letter**; irresponsible or incorrect use may cause it to become dangerous: do not move the automated system if animals or objects are in its working radius.

COMPANY
WITH QUALITY SYSTEM
CERTIFIED BY DNV
=ISO 9001/2000=



Nice

- **Children:** an automated system ensures a high level of safety as it always offers reliable and safe operation and its detection systems stop it from moving in the presence of people or objects. However, children should not be allowed to play near it. Do not let them accidentally use the system by leaving the remote control unit within their reach: **it is not a toy!**
- **Faults.** If you notice any abnormal behaviour, disconnect the system from the electricity supply immediately and perform the manual release operation. Do not attempt to make repairs yourself but call in your fitter: in the meantime the system can work as a non-automated gate once the gear motor has been released as described further on.
- **Maintenance.** Just like all machines, your automated system requires periodic maintenance to ensure it works as long as possible and in total safety. Agree on a routine maintenance plan with your fitter; Nice recommends a visit once every six months for normal residential use but this period can vary depending on how often the system is used.
All controls, maintenance work or repairs may only be carried out by qualified personnel.
- Do not modify the system or its programming and adjustment parameters even if you think you can do it: your fitter is responsible for this.
- Final testing, routine maintenance and any repairs must be documented by the fitter and such documents kept by the owner of the system.
- **Disposal.** At the end of the life of the automatic system, make sure that it is demolished by qualified personnel and that the materials are recycled or disposed of according to local regulations.
- **In case of breakage** or during a power failure. While waiting for your fitter to call (or power to come on again if the system does not have buffer batteries), the system can be used just like any other manual opening system. To do this, perform the manual release operation: this can be done by the user and Nice has made it as easy as possible, without the need for tools or physical effort.



1. Push back the protective membrane as shown in **fig. 1**
2. insert the key and turn it anti-clockwise as shown in **fig. 2**
3. Pull up the handle in the direction of the arrow until it reaches the point shown in **fig. 3**
4. Move the leaf to its maximum opening or closing point
5. Carry out the above operations backwards when locking the system

Important: if the radio control unit (if supplied) starts working badly after a time, or does not work at all, the batteries may be flat (They can last from several months to two/three years depending on the type). You can notice this from the fact that the transmission OK LED is faint, doesn't light up at all, or lights up for just a moment. Before contacting your fitter, try exchanging the battery with that of another transmitter you know that works: if this is the reason for the fault, just replace the battery with another one of the same kind.

Are you satisfied? If you wish to add a new automated system to your house, contact your fitter and we at Nice will provide the advice of a specialist, the most developed products on the market, leading-edge operativeness and maximum compatibility.

Thank you for reading these suggestions and we trust you are fully satisfied with your new system: please contact your fitter for all your current or future requirements.

wingo

Indice:	pag.		pag.		
1	Descrizione del prodotto	10	3	Manovra manuale o sblocco	14
2	Installazione	10	4	Collaudo	14
2.1	Verifiche preliminari	10	5	Manutenzione	14
2.2	Limiti d'impiego	10	5.1	Smaltimento	14
2.3	Fissaggio	11	6	Caratteristiche tecniche	14
2.3.1	Posizionamento della staffa posteriore	11	6.1	Modelli e caratteristiche	14
2.3.2	Posizionamento della staffa anteriore	12			
2.3.3	Apertura del cancello verso l'esterno	12			
2.4	Impianto tipico	13			
2.5	Collegamento al motoriduttore	13			
				Istruzioni ed avvertenze destinate all'utilizzatore del motoriduttore WINGO	15

Avvertenze importanti

Nice si congratula per la scelta di questo prodotto e vi invita a leggere con molta attenzione queste pagine.

Per rendere più semplice l'uso di queste istruzioni si è cercato, per quanto possibile, di impaginarle rispettando l'ordine con cui devono essere eseguite le varie fasi dell'installazione dell'impianto.

È necessario leggere attentamente le istruzioni e il fascicolo allegato "Avvertenze per l'installatore" prima di procedere all'installazione, in quanto forniscono importanti indicazioni riguardanti la sicurezza, l'installazione, l'uso e la manutenzione.

Tutto quello che non è espressamente previsto in queste istruzioni non è permesso. Infatti usi non indicati nelle istruzioni potrebbero essere fonte di danni al prodotto e mettere in pericolo persone e cose.

Nice declina qualsiasi responsabilità dall'inosservanza della buona tecnica nella costruzione dei cancelli, nonché dalle deformazioni che potrebbero verificarsi durante l'uso.

Non installare il prodotto in atmosfera esplosiva.

1) Descrizione prodotto

WINGO è un motoriduttore elettromeccanico per l'automazione di cancelli ad una o due ante per uso residenziale.

Si consiglia l'utilizzo di una centrale NICE per un corretto funzionamento del motoriduttore.

Lo sblocco permette di aprire manualmente il cancello.

2) Installazione

2.1) Verifiche preliminari

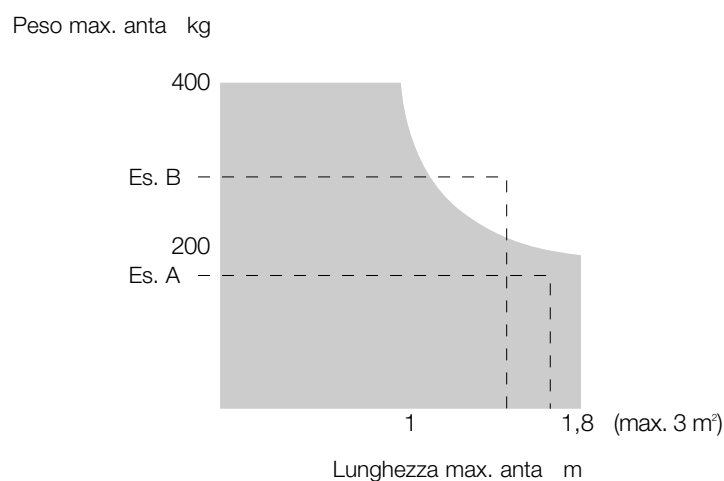
Prima di procedere all'installazione è necessario verificare che la struttura sia idonea, in altre parole, conforme alle norme vigenti ed in particolare verificare che:

- il cancello non presenti punti d'attrito sia in chiusura sia in apertura;
- il cancello sia ben bilanciato, ossia, fermato in una qualsiasi posizione non accenni a riprendere il moto;
- il cancello, nella sua corsa, sia silenzioso e regolare;
- la zona individuata per il fissaggio del motoriduttore consenta una manovra manuale facile e sicura;
- la confezione sia integra, facendo riferimento alla **fig.1**;
- verificare che la zona di fissaggio sia compatibile con l'ingombro del motoriduttore (**fig.2**), tenendo presente che l'apertura del cancello e la forza che il motore esercita su di esso sono dipendenti dal punto di fissaggio della staffa posteriore. Perciò prima di procedere all'installazione è necessario leggere il paragrafo 2.3 "Fissaggio", per assicurarsi che il cancello abbia angolo di apertura e forza soddisfacenti le esigenze richieste.

⚠ Si ricorda che WINGO motorizza un cancello (ad una o due ante) di per sé efficiente e sicuro e non sopprime a difetti causati da una sbagliata installazione, o da una cattiva manutenzione.



2.2) Limiti d'impiego

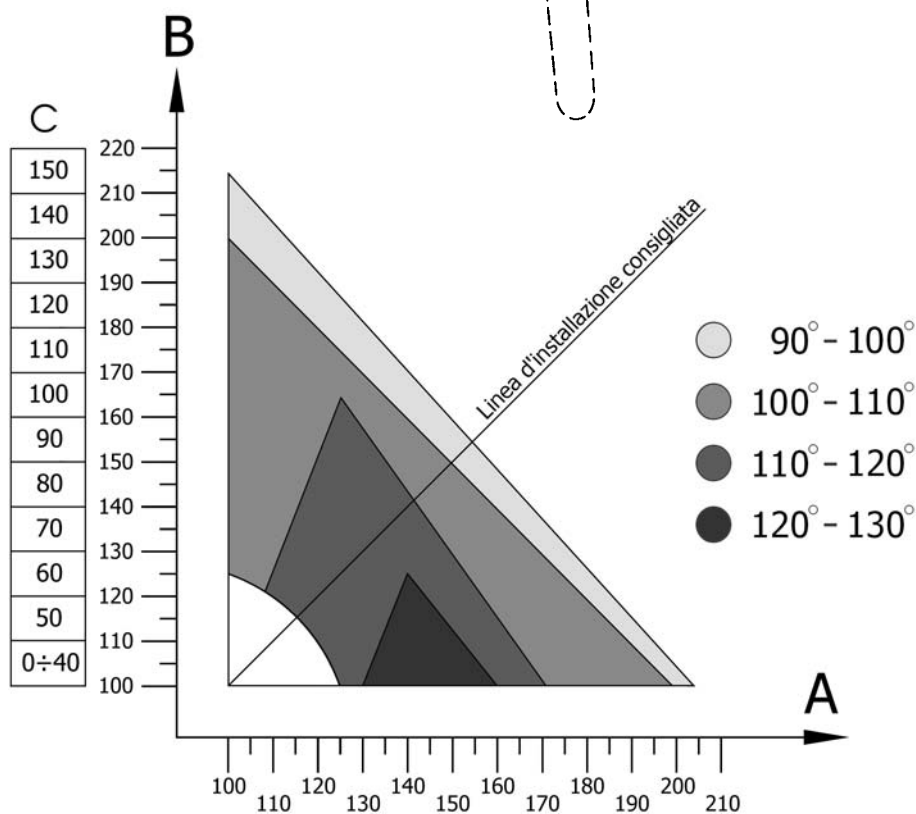
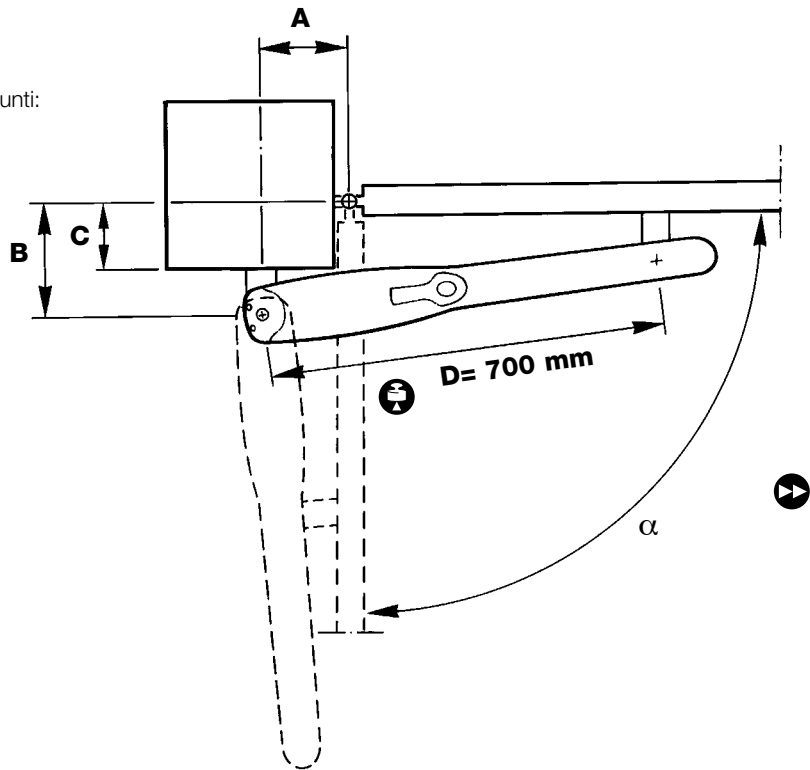
La forma, l'altezza del cancello (es. cieco) e le condizioni climatiche (es. vento forte) possono ridurre anche notevolmente i valori riportati nel grafico a lato.



2.3) Fissaggio

Per il corretto montaggio sono da verificare i seguenti punti:

- 1) Ingombro colonna **C**
- 2) Angolo di manovra α
- 3) Velocità 
- 4) Forza 



2.3.1) Posizionamento della staffa posteriore

Le operazioni da eseguire sono:

- 1.1** Misurare sul posto il valore di C (es. 70mm).
- 1.2** Individuare nel grafico il valore di C e tracciare una linea orizzontale (**fig.8**).
- 1.3** Individuare il valore di "B minimo" dal grafico con la linea orizzontale appena tracciata (nell'esempio: 130mm **fig.9**), l'area al di sopra di tale linea contiene i punti validi per lo staffaggio.
- 2** Esiste una relazione tra l'angolo di manovra che può eseguire il cancello e le posizioni di staffaggio (A e B) come evidenzia il grafico relativo al prodotto (paragrafo posizionamento della staffa posteriore) dove aree di colore differenti rappresentano gli angoli

massimi consentiti. Se, per esempio (**fig.9**), si vuole aprire il cancello di $100^\circ \div 110^\circ$, A e B debbono individuare un punto sul grafico appartenente all'area del colore corrispondente.

- 3** All'interno dell'area individuata, ricordiamo che la forza impressa al cancello, ed il tempo di apertura e chiusura, sono direttamente proporzionali ai valori di A e B e che per un funzionamento lineare, tali valori dovranno essere simili fra loro, quindi seguire la linea di installazione consigliata.

2.3.2) Posizionamento della staffa anteriore

La staffa anteriore (21) va posizionata con apposito morsetto al cancello rispettando la quota **D** (vedi disegno relativo al paragrafo 2.3 Fissaggio);

prima di procedere al fissaggio definitivo:

1. Verificare che la linea di chiusura del motoriduttore sia perfettamente orizzontale (**fig.4**).
2. Aprire e chiudere il cancello manualmente per verificare che il movimento sia regolare.
3. Levare il motoriduttore e saldare la staffa anteriore (21).

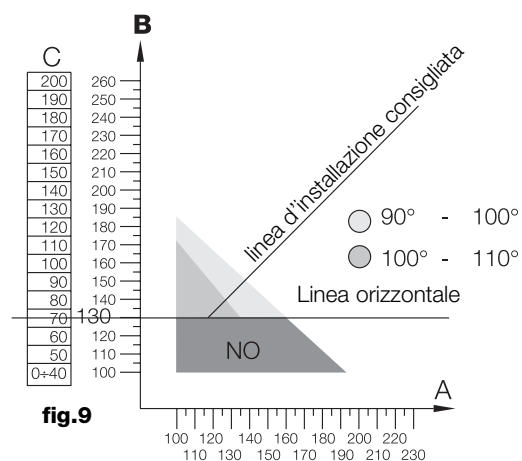
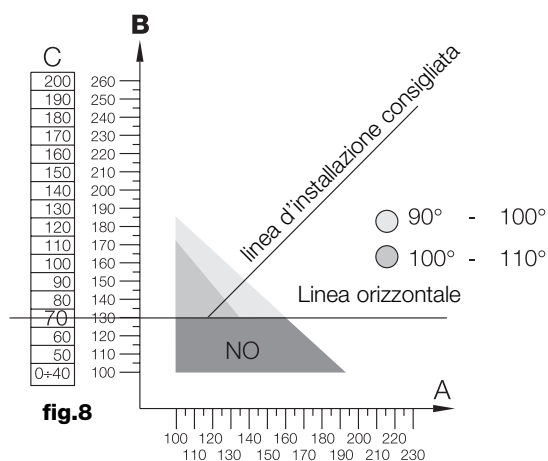
Fissaggio posteriore motoriduttore (fig.5)

Fissare WINGO alla staffa (22) con la vite (48), la rondella (55) ed il dado (51); avvitare completamente quest'ultimo, quindi svtarlo di circa 1/10 di giro per permettere un certo gioco tra le parti.

Fissaggio anteriore motoriduttore (fig. 6)

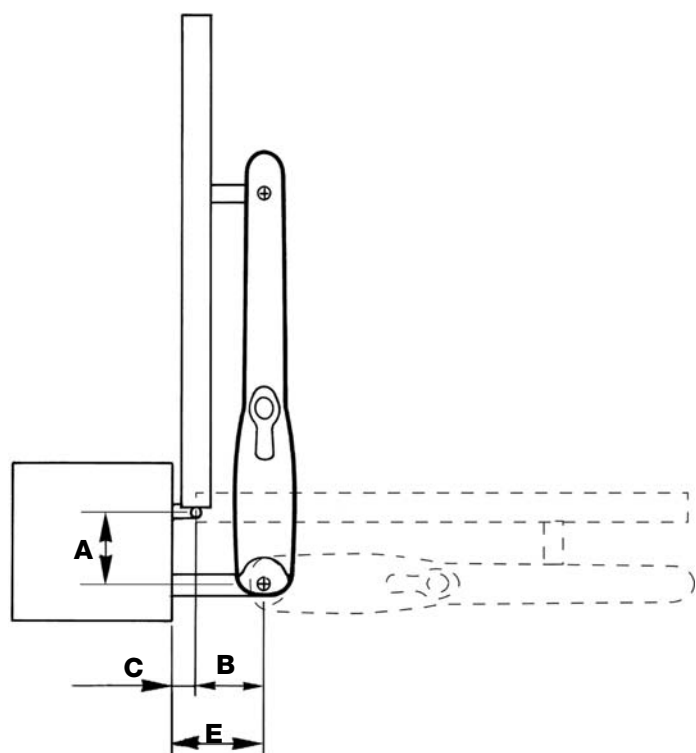
Inserire la forcella anteriore di WINGO (18) nella staffa anteriore (21) bloccandolo con la vite (47) e la rondella (54).

Esempio

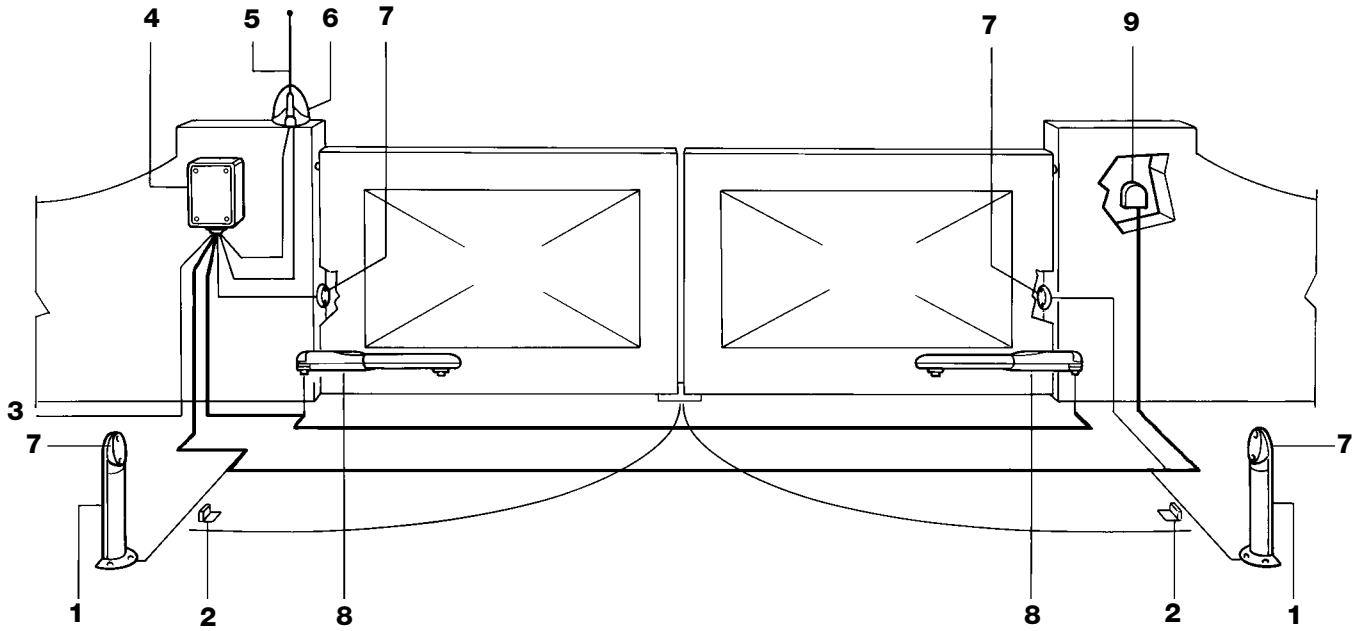


2.3.3) Apertura cancello verso l'esterno

Per i valori di E maggiori di 140mm, provvedere personalmente ad allungare la staffa.



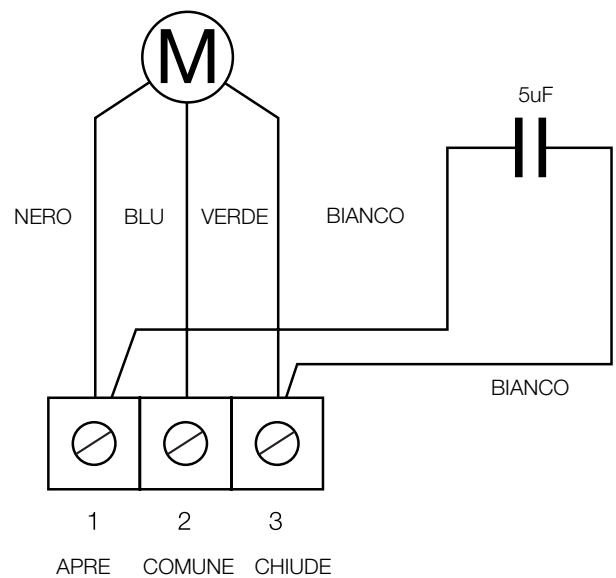
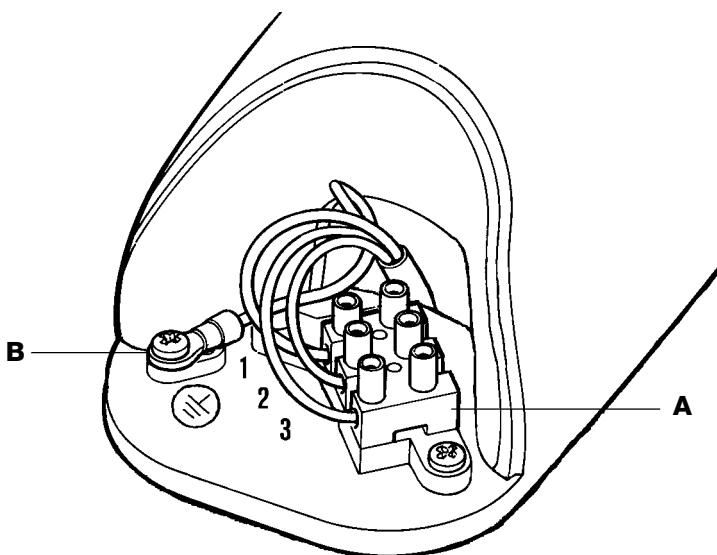
2.4) Impianto tipico



- 1 Colonnina per fotocellule
- 2 Coppia di arresti in apertura
- 3 Linea elettrica di alimentazione
- 4 Centrale di comando A400
- 5 Antenna
- 6 Lampeggiante
- 7 Fotocellula
- 8 Attuatore WINGO
- 9 Selettore a chiave o tastiera digitale

2.5) Collegamento al motoriduttore

Rispettando la numerazione della tabella effettuare i collegamenti alla morsettiera (A) seguendo lo schema elettrico.



⚠ Si ricorda di collegare sempre il cavo di terra (B) come previsto dalle normative vigenti (EN 60204 - CEI 64-1, EN 60335)

3) Manovra manuale o sblocco

L'operazione manuale (**fig.3**) si deve eseguire nel caso di mancanza di corrente o in caso di anomalie dell'impianto.

La manovra manuale consente una corsa libera del motoriduttore solo se montato correttamente e con gli accessori originali.

4) Collaudo

Il collaudo dell'intero impianto deve essere eseguito da personale esperto e qualificato che deve farsi carico delle prove richieste, in funzione del rischio presente.

Per il collaudo di WINGO seguire questa procedura:

- chiudere il cancello;
- togliere alimentazione alla centrale;
- sbloccare il motoriduttore;
- aprire manualmente il cancello per tutta la sua corsa;
- verificare che il cancello durante il moto non subisca punti d'attrito;
- verificare che il cancello fermato in qualsiasi punto e sbloccato, non accenni a muoversi;
- verificare che i sistemi di sicurezza e gli arresti meccanici siano in buono stato;
- verificare che i collegamenti a vite siano ben stretti;
- verificare che la chiocciola e la vite rullata siano bene ingrassate;
- verificare la pulizia delle fotocellule;
- terminate le verifiche ribloccare il motoriduttore e rialimentare la centrale.
- WINGO è sprovvisto di dispositivo di regolazione di coppia, pertanto tale regolazione è affidata alla centrale di comando.
- misurare la forza d'impatto come previsto dalla normativa EN12453 ed EN12445.

5) Manutenzione

La manutenzione di WINGO non necessita di accorgimenti particolari, ma un controllo programmato almeno ogni sei mesi permette di ottenere una maggiore vita del motoriduttore ed un corretto e sicuro funzionamento del sistema.

La manutenzione consiste semplicemente nel ripetere la procedura di collaudo.

5.1) Smaltimento

WINGO è costituito da varie tipologie di materiali e l'eliminazione di questi va effettuata rispettando le norme vigenti nei singoli Paesi. Nel caso di demolizione dell'automatismo non esistono particolari pericoli o rischi derivati dall'automazione stessa.

È opportuno, in caso si debba effettuare una raccolta differenziata, che i materiali vengano separati per tipologia (parti elettriche, alluminio, plastica, ecc.).

6) Caratteristiche tecniche

6.1) Modelli e caratteristiche

		WG4000	WG4000/V1
Alimentazione	(Vac/Hz)	230/50	110/60
Corrente assorbita	(A)	0,5	1
Potenza assorbita	(W)		120
Condensatore incorporato	(uF)	5	10
Grado di protezione	(IP)		44
Velocità	(m/s)	0,016	0,020
Corsa	(mm)		320
Spinta max.	(N)		1500
Temp. di esercizio	(°C Min/Max)		-20 ÷ +50
Termoprotezione	(°C)		140
Cicli di lavoro	(%)		30
Peso	(kg)		5

motoriduttore
per cancelli a battente



wingo

Istruzioni ed avvertenze destinate all'utilizzatore del motoriduttore WINGO

Complimenti per aver scelto per la vostra automazione un prodotto Nice!

Nice S.p.A. produce componenti per l'automazione di cancelli, porte, tapparelle e tende da sole: motoriduttori, centrali di comando, radiocomandi, lampeggianti, fotocellule e accessori.

Nice utilizza solo materiali e lavorazioni di qualità, e per vocazione ricerca soluzioni innovative che semplifichino al massimo l'utilizzo delle sue apparecchiature, curate nelle soluzioni tecniche, estetiche, ergonomiche: nella grande gamma Nice il vostro installatore avrà senz'altro scelto il prodotto più adatto alle vostre esigenze.

Nice non è però il produttore della vostra automazione, che è invece il risultato di un'opera di analisi, valutazione, scelta dei materiali, e realizzazione dell'impianto eseguita dal vostro installatore di fiducia.

Ogni automazione è unica e solo il vostro installatore possiede l'esperienza e la professionalità necessarie ad eseguire un impianto secondo le vostre esigenze, sicuro ed affidabile nel tempo, e soprattutto a regola d'arte, rispondente cioè alle normative in vigore.

Un impianto di automazione è una bella comodità, oltre che un valido sistema di sicurezza e, con poche, semplici attenzioni, è destinato a durare negli anni.

Anche se l'automazione in vostro possesso soddisfa il livello di sicurezza richiesto dalle normative, questo non esclude l'esistenza di un "rischio residuo", cioè la possibilità che si possano generare situazioni di pericolo, solitamente dovute ad un utilizzo incosciente o addirittura errato, per questo motivo desideriamo darvi alcuni consigli sui comportamenti da seguire per evitare ogni inconveniente:

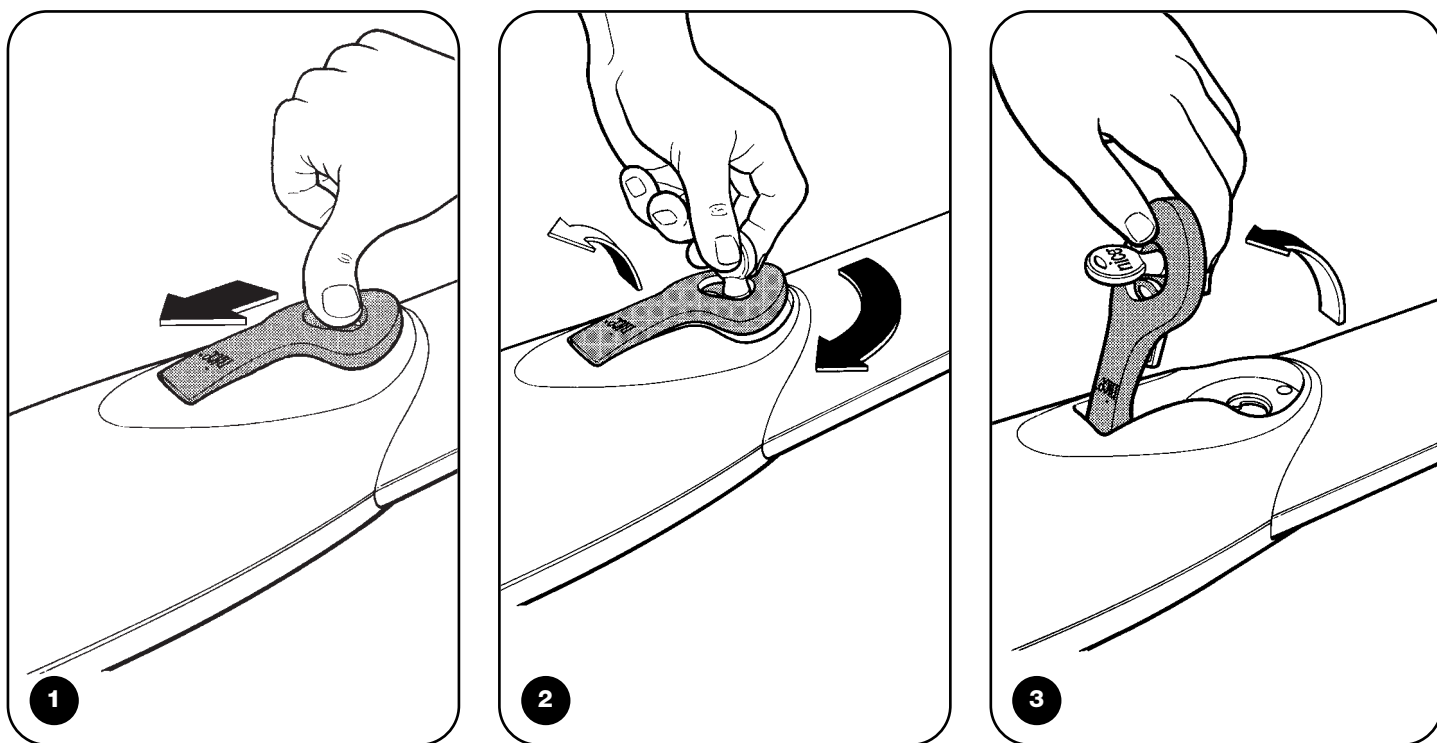
- **Prima di usare per la prima volta l'automazione**, fatevi spiegare dall'installatore l'origine dei rischi residui, e dedicate qualche minuto alla lettura del manuale di **istruzioni ed avvertenze per l'utilizzatore** consegnatovi dall'installatore. Conservate il manuale per ogni dubbio futuro e consegnatelo ad un eventuale nuovo proprietario dell'automazione.
- **La vostra automazione è un macchinario che esegue fedelmente i vostri comandi**; un uso incosciente ed improprio può farlo diventare pericoloso: non comandate il movimento dell'automazione se nel suo raggio di azione si trovano persone, animali o cose.

COMPANY
WITH QUALITY SYSTEM
CERTIFIED BY DNV
=ISO 9001/2000=



Nice

- **Bambini:** un impianto di automazione garantisce un alto grado di sicurezza, impedendo con i suoi sistemi di rilevazione il movimento in presenza di persone o cose, e garantendo un'attivazione sempre prevedibile e sicura. È comunque prudente vietare ai bambini di giocare in prossimità dell'automazione e per evitare attivazioni involontarie non lasciare i telecomandi alla loro portata: **non è un giocolo!**
- **Anomalia.** Non appena notate qualunque comportamento anomalo da parte dell'automazione, togliete alimentazione elettrica all'impianto ed eseguite lo sblocco manuale. Non tentate da soli alcuna riparazione, ma richiedete l'intervento del vostro installatore di fiducia: nel frattempo l'impianto può funzionare come un'apertura non automatizzata, una volta sbloccato il motoriduttore come descritto più avanti.
- **Manutenzione.** Come ogni macchinario la vostra automazione ha bisogno di una manutenzione periodica affinché possa funzionare più a lungo possibile ed in completa sicurezza. Concordate con il vostro installatore un piano di manutenzione con frequenza periodica; Nice consiglia un intervento ogni 6 mesi per un normale utilizzo domestico, ma questo periodo può variare in funzione dell'intensità d'uso. Qualunque intervento di controllo, manutenzione o riparazione deve essere eseguito solo da personale qualificato.
- Anche se ritenete di saperlo fare, non modificate l'impianto ed i parametri di programmazione e di regolazione dell'automazione: la responsabilità è del vostro installatore.
- Il collaudo finale, le manutenzioni periodiche e le eventuali riparazioni devono essere documentate da chi le esegue e i documenti conservati dal proprietario dell'impianto.
- **Smaltimento.** Al termine della vita dell'automazione, assicuratevi che lo smantellamento sia eseguito da personale qualificato e che i materiali vengano riciclati o smaltiti secondo le norme valide a livello locale.
- **In caso di rotture o assenza di alimentazione.** Attendendo l'intervento del vostro installatore, (o il ritorno dell'energia elettrica se l'impianto non è dotato di batterie tampone), l'impianto può essere azionato come una qualunque apertura non automatizzata. Per fare ciò è necessario eseguire lo sblocco manuale: questa operazione, che è l'unica che può essere eseguita dall'utilizzatore dell'automazione, è particolarmente curata da Nice per assicurarvi sempre la massima facilità di utilizzo, senza uso di attrezzi o necessità di sforzo fisico.



1. Far scorrere la membrana di protezione come in **fig. 1**
2. Inserire la chiave e ruotarla in senso antiorario come in **fig. 2**
3. Tirare la maniglia accompagnandola nel senso della freccia fino al punto in **fig. 3**
4. Agire manualmente sull'anta ed accompagnarla fino al punto di massima apertura o chiusura
5. Per bloccare agire nel senso contrario

Importante: se il vostro impianto è dotato di un radiocomando che dopo qualche tempo vi sembra funzionare peggio, oppure non funzionare affatto, potrebbe semplicemente dipendere dall'esaurimento della pila (a seconda del tipo, possono trascorrere da diversi mesi fino a due/tre anni). Ve ne potete accorgere dal fatto che la spia di conferma della trasmissione è fioca, non si accende affatto, oppure si accende solo per un breve istante. Prima di rivolgervi all'installatore provate a scambiare la pila con quella di un altro trasmettitore eventualmente funzionante: se questa fosse la causa dell'anomalia, sarà sufficiente sostituire la pila con altra dello stesso tipo.

Siete soddisfatti? Nel caso voleste aggiungere nella vostra casa un nuovo impianto di automazione, rivolgendovi allo stesso installatore e a Nice vi garantirete, oltre che la consulenza di uno specialista e i prodotti più evoluti del mercato, il migliore funzionamento e la massima compatibilità delle automazioni.

Vi ringraziamo per aver letto queste raccomandazioni, e vi auguriamo la massima soddisfazione dal vostro nuovo impianto: per ogni esigenza presente o futura rivolgetevi con fiducia al vostro installatore.

wingo

Table des matières:	pag.		pag.		
1	Description du produit	18	3	Manœuvre manuelle ou débrayage	22
2	Installation	18	4	Essai de fonctionnement	22
2.1	Contrôles préliminaires	18	5	Maintenance	22
2.2	Limites d'application	18	5.1	Mise au rebut	22
2.3	Fixation	19	6	Caractéristiques techniques	22
2.3.1	Positionnement de la platine de fixation arrière	19	6.1	Modèles et caractéristiques	22
2.3.2	Positionnement de la platine de fixation avant	20		Instructions et recommandations destinées à l'utilisateur de l'opérateur WINGO	23
2.3.3	Ouverture du portail vers l'extérieur	20			
2.4	Installation typique	21			
2.5	Connexions à l'opérateur	21			

Recommandations importantes

Nice vous félicite pour avoir choisi ce produit et vous invite à lire très attentivement ces pages.

Pour faciliter la compréhension de ces instructions, nous avons tenté, dans la mesure du possible, de les présenter en respectant l'ordre dans lequel vous devez exécuter les différentes phases d'installation de l'automatisme.

Il faut lire attentivement les instructions et le fascicule joint "Recommandations pour l'installateur" avant de procéder à l'installation car ils fournissent des indications importantes concernant la sécurité, l'installation, l'utilisation et la maintenance de l'automatisme.

Tout ce qui n'est pas expressément prévu dans ces instructions n'est pas autorisé. En effet les utilisations non décrites dans les instructions pourraient être une source de dommages pour le produit et mettre en danger les personnes et les choses.

Nice décline toute responsabilité en cas de non-observation des règles de l'art dans la construction des portails à un ou deux battants ainsi que des déformations qui pourraient se vérifier durant l'utilisation.

Ne pas installer le produit en présence d'atmosphère explosive.

1) Description du produit

WINGO est un opérateur électromécanique pour l'automatisation de portails à un ou deux battants pour usage résidentiel.

Il est conseillé d'utiliser une armoire de commande NICE pour assurer le fonctionnement correct de l'opérateur.

Le débrayage permet l'ouverture manuelle du portail.

2) Installation

2.1) Contrôles préliminaires

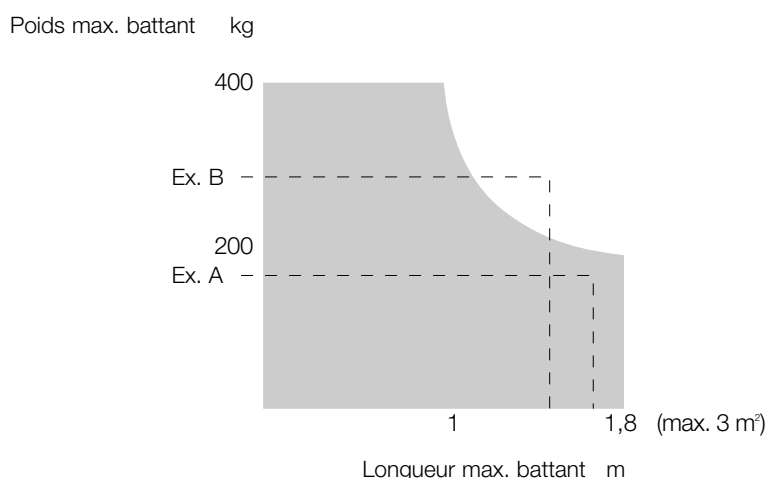
Avant de procéder à l'installation, il faut vérifier que la structure est adaptée, en d'autres termes, qu'elle est conforme aux normes en vigueur et en particulier, il faut vérifier que:

- le portail ne présente pas de points de frottement aussi bien en fermeture qu'en ouverture;
- le portail est bien équilibré, à savoir, que lorsque qu'il est arrêté dans une position quelconque, il n'amorce aucun mouvement;
- le portail, dans sa course, est silencieux et régulier;
- la zone choisie pour la fixation de l'opérateur assure une manœuvre facile et sûre;
- l'emballage contient tous les éléments, comme l'illustre la **fig.1**;
- la zone de fixation est compatible avec l'encombrement de l'opérateur (**fig.2**), en tenant compte que l'ouverture du portail et la force que le moteur exerce sur lui dépendent du point de fixation de la platine arrière. Par conséquent, avant de procéder à l'installation, il faut lire le paragraphe 2.3 "Fixation", pour s'assurer que le portail dispose d'un angle d'ouverture et d'une force correspondant aux conditions requises.

⚠ Nous rappelons que WINGO motorise un portail (à un ou à deux battants) et est en soi efficace et sûr; il ne peut toutefois suppléer aux défauts causés par une installation erronée ou par une mauvaise maintenance.

2.2) Limites d'application

La forme, la hauteur du portail (par ex. un portail plein) et les conditions climatiques (par ex. vent fort) peuvent réduire considérablement les valeurs indiquées dans le graphique ci-après





Exemple portail:

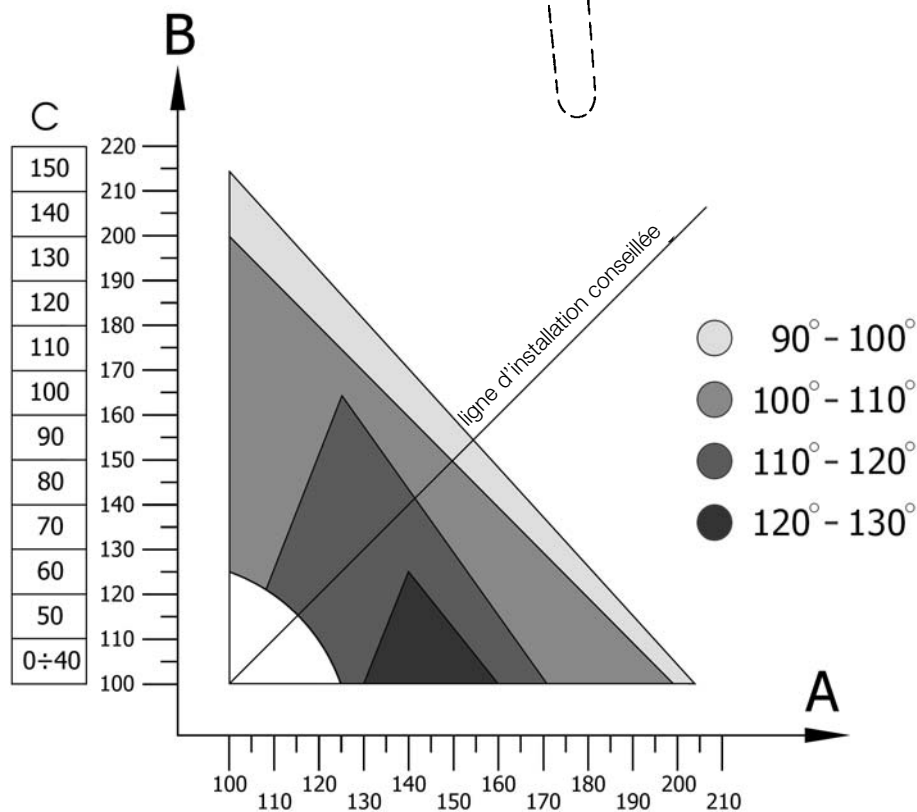
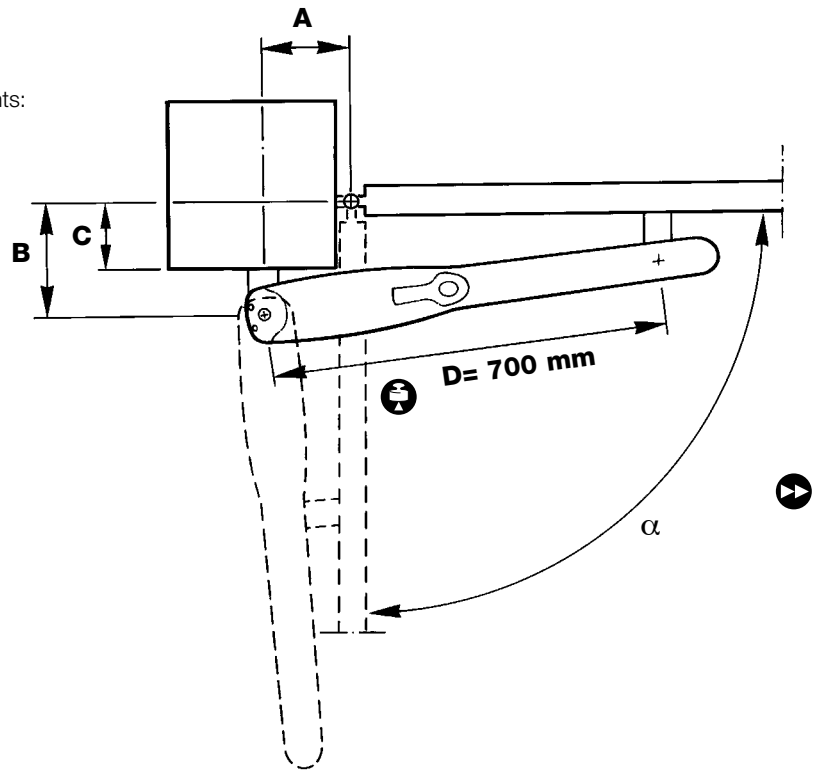
A) 180kg et 1,7m **ok**

B) 300kg et 1,5m **no**

2.3) Fixation

Pour un montage correct il faut vérifier les points suivants:

- 1) Saillie colonne **C**
- 2) Angle de manœuvre α
- 3) Vitesse 
- 4) Force 



2.3.1) Positionnement de la platine de fixation arrière

Les opérations à effectuer sont les suivantes:

- 1.1** Mesurer sur place la valeur de C (ex. 70 mm).
- 1.2** Identifier dans le graphique la valeur de C et tracer une ligne horizontale (**fig.8**).
- 1.3** Identifier la valeur de "B minimum" à partir du graphique avec la ligne horizontale tracée précédemment (dans l'exemple: 130 mm **fig.9**), la zone située au-dessus de cette ligne contient les points valables pour la fixation de la platine.
- 2** Il existe une relation entre l'angle de manœuvre que peut effectuer le portail et les positions des platines de fixation (A et B) comme le montre le graphique relatif au produit (paragraphe

positionnement de la platine de fixation arrière) où des zones de couleur différente représentent les angles maximums autorisés. Si par exemple (**fig.9**) on veut ouvrir le portail de 100° à 110° , A et B doivent identifier un point sur le graphique appartenant à la zone de couleur correspondante.

- 3** À l'intérieur de la zone identifiée, nous rappelons que la force imprimée au portail et le temps d'ouverture et de fermeture sont directement proportionnels aux valeurs de A et B et que pour un fonctionnement linéaire, ces valeurs devront être similaires ; il faut donc suivre la ligne d'installation conseillée.

2.3.2) Positionnement de la platine de fixation avant

La platine de fixation avant (21) doit être positionnée sur le portail avec une bride spéciale en respectant la mesure **D** (voir dessin relatif au paragraphe 2.3 Fixation);

avant de procéder à la fixation définitive:

1. Vérifier que la ligne de fermeture de l'opérateur est parfaitement horizontale (**fig.4**).
2. Ouvrir et fermer manuellement le portail pour s'assurer que le mouvement est régulier.
3. Enlever l'opérateur et souder la platine de fixation avant (21).

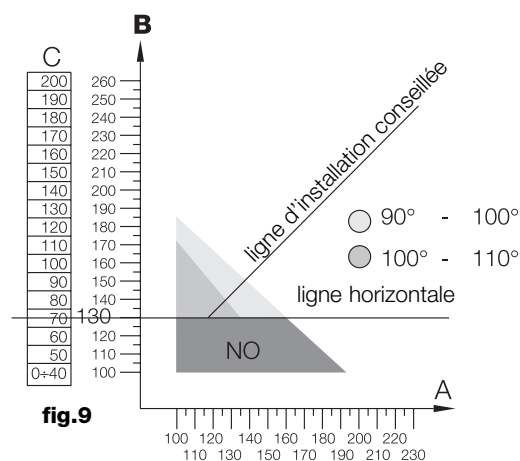
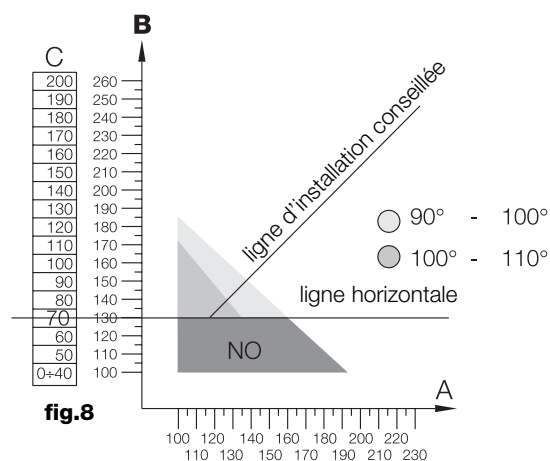
Fixation arrière de l'opérateur (fig.5)

Fixer WINGO à la platine (22) avec la vis (48), la rondelle (55) et l'écrou (51); visser à fond ce dernier puis le dévisser d'environ 1/10e de tour pour permettre un certain jeu entre les parties.

Fixation avant de l'opérateur (fig.6)

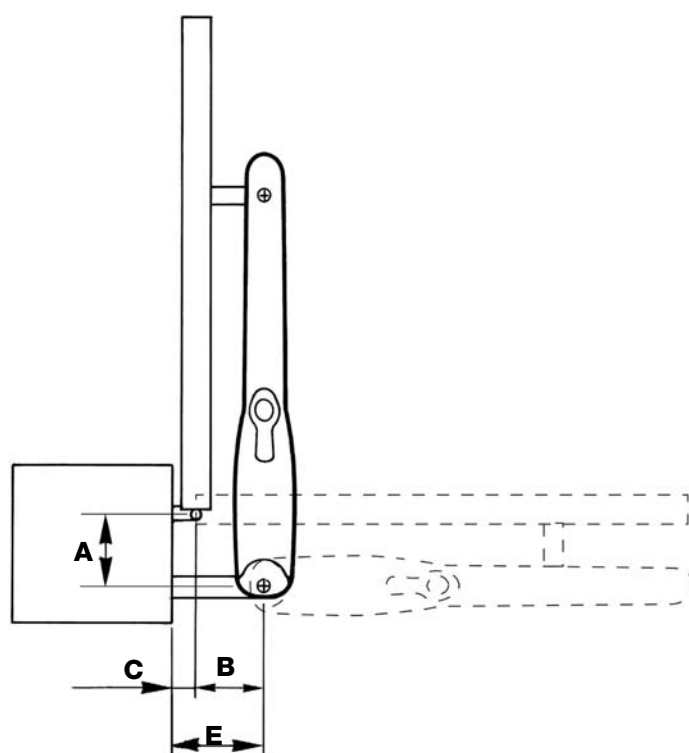
Insérer la fourche avant de WINGO (18) dans la platine avant (21) en la bloquant avec la vis (47) et la rondelle (54).

Exemple

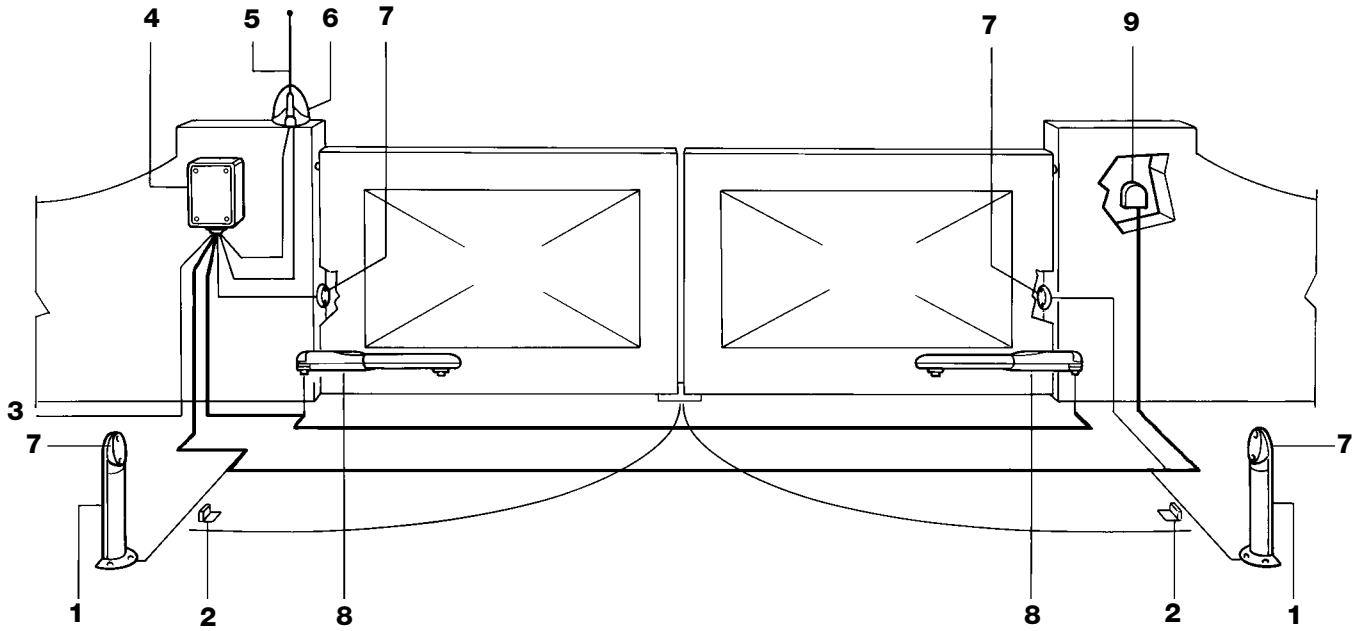


2.3.3) Ouverture du portail vers l'extérieur

Pour les valeurs de E supérieures à 140 mm, pouvoir personnellement à rallonger la platine de fixation.



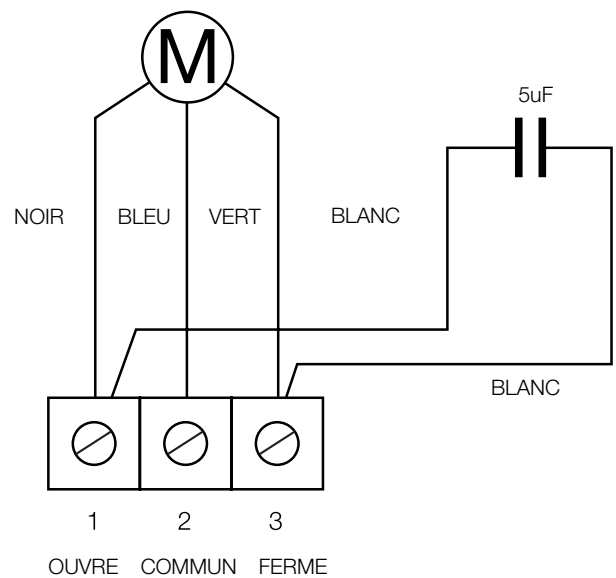
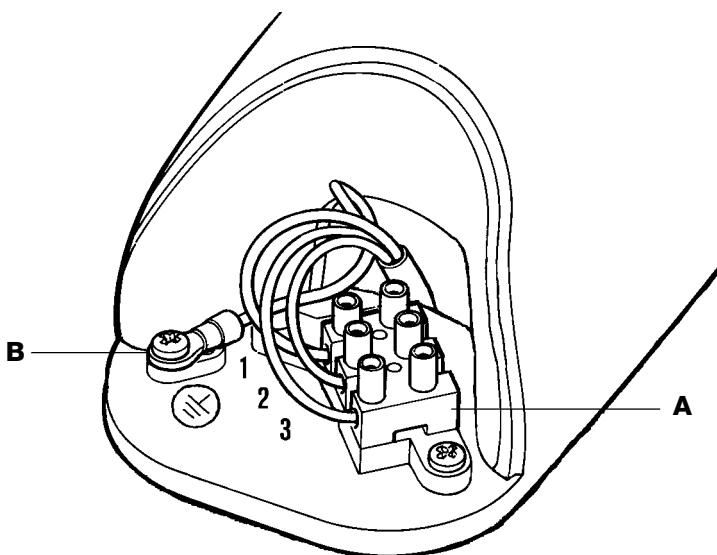
2.4) Installation typique



- 1 Colonne pour photocellules
- 2 Paire de butées en ouverture
- 3 Ligne électrique d'alimentation
- 4 Armoire de commande A400
- 5 Antenne
- 6 Clignotant
- 7 Photocellule
- 8 Opérateur WINGO
- 9 Sélecteur à clé ou clavier à code

2.5) Connexions à l'opérateur

En respectant la numérotation du tableau, effectuer les connexions au bornier (A) en suivant le schéma électrique.



⚠ Nous rappelons qu'il faut toujours connecter le conducteur de mise à la terre (B) conformément aux

prescriptions des normes en vigueur (EN 60204 - CEI 64-1, EN 60335)

3) Manœuvre manuelle ou débrayage

L'opération manuelle (**fig.3**) doit être effectuée en cas de panne de courant ou en cas d'anomalie dans le fonctionnement de l'automatisme.

La manœuvre manuelle permet une course libre de l'opérateur seulement s'il est monté correctement et avec les accessoires originaux.

4) Essai de fonctionnement

L'essai de fonctionnement de toute l'installation doit être effectué par du personnel expert et qualifié qui doit se charger des essais requis en tenant compte du risque présent.

Pour l'essai de WINGO, suivre cette procédure:

- fermer le portail;
 - couper l'alimentation de la centrale;
 - débrayer l'opérateur;
 - ouvrir manuellement le portail jusqu'en fin de course;
 - vérifier l'absence de points de frottement durant le mouvement du portail;
 - vérifier que le portail, s'il est arrêté en un point quelconque et débrayé, n'amorce aucun mouvement;
 - vérifier que les systèmes de sécurité et les butées mécaniques sont en bon état;
- vérifier que les vis d'assemblage sont serrées à fond;
 - vérifier que la vis-mère et la vis sans fin sont bien graissées;
 - vérifier la propreté des photocellules;
 - après avoir terminé les vérifications, réembrayer l'opérateur et rétablir l'alimentation de l'armoire de commande.
 - WINGO est dépourvu de dispositif de réglage du couple, ce réglage est donc assuré par l'armoire de commande;
 - mesurer la force d'impact conformément aux normes EN12453 et EN12445.

5) Maintenance

WINGO ne requiert pas de maintenance particulière mais un contrôle programmé au moins tous les six mois permet d'assurer à l'opérateur une plus longue vie et un fonctionnement correct et sûr du système.

La maintenance consiste simplement à répéter toute la procédure de l'essai de fonctionnement.

5.1) Mise au rebut

WINGO est constitué de différents types de matériaux et leur mise au rebut doit être effectuée en respectant les normes en vigueur dans le pays d'installation.

En cas de démantèlement de l'automatisme, il n'existe pas de dangers ou risques dérivant de l'automatisme proprement dit.

Dans le cas de récolte différenciée, il est opportun d'effectuer un tri sélectif suivant le type de matériau (partes électriques, aluminium, plastique, etc.)

6) Caractéristiques techniques

6.1) Modèles et caractéristiques

		WG4000	WG4000/V1
Alimentation	(Vac/Hz)	230/50	110/60
Courant absorbé	(A)	0,5	1
Puissance absorbée	(W)		120
Condensateur incorporé	(uF)	5	10
Indice de protection	(IP)		44
Vitesse	(m/s)	0,016	0,020
Course	(mm)		320
Poussée max.	(N)		1500
Température de fonctionnement	(°C Min/Max)		-20 ÷ +50
Protection thermique	(°C)		140
Cycles de travail	(%)		30
Poids	(kg)		5



wingo

Instructions et avertissements destinés à l'utilisateur de l'opérateur WINGO

Félicitations pour avoir choisi un produit Nice pour votre installation d'automatisation!

Nice S.p.A. produit des composants pour l'automatisme de portails, portes, volets roulants et stores : opérateurs, armoires de commande, radiocommandes, clignotants, photocellules et accessoires.

Nice utilise exclusivement des matériaux et des usinages de qualité et par vocation, elle recherche des solutions innovantes qui simplifient au maximum l'utilisation de ses appareils, très soignés sur le plan des solutions techniques, esthétiques et ergonomiques: dans la vaste gamme Nice, votre installateur aura choisi sans aucun doute le produit le plus adapté à vos exigences.

Nice n'est toutefois pas le producteur de votre automatisme qui est en effet le résultat d'un travail d'analyse, évaluation, choix des matériaux et réalisation de l'installation, exécuté par votre installateur de confiance.

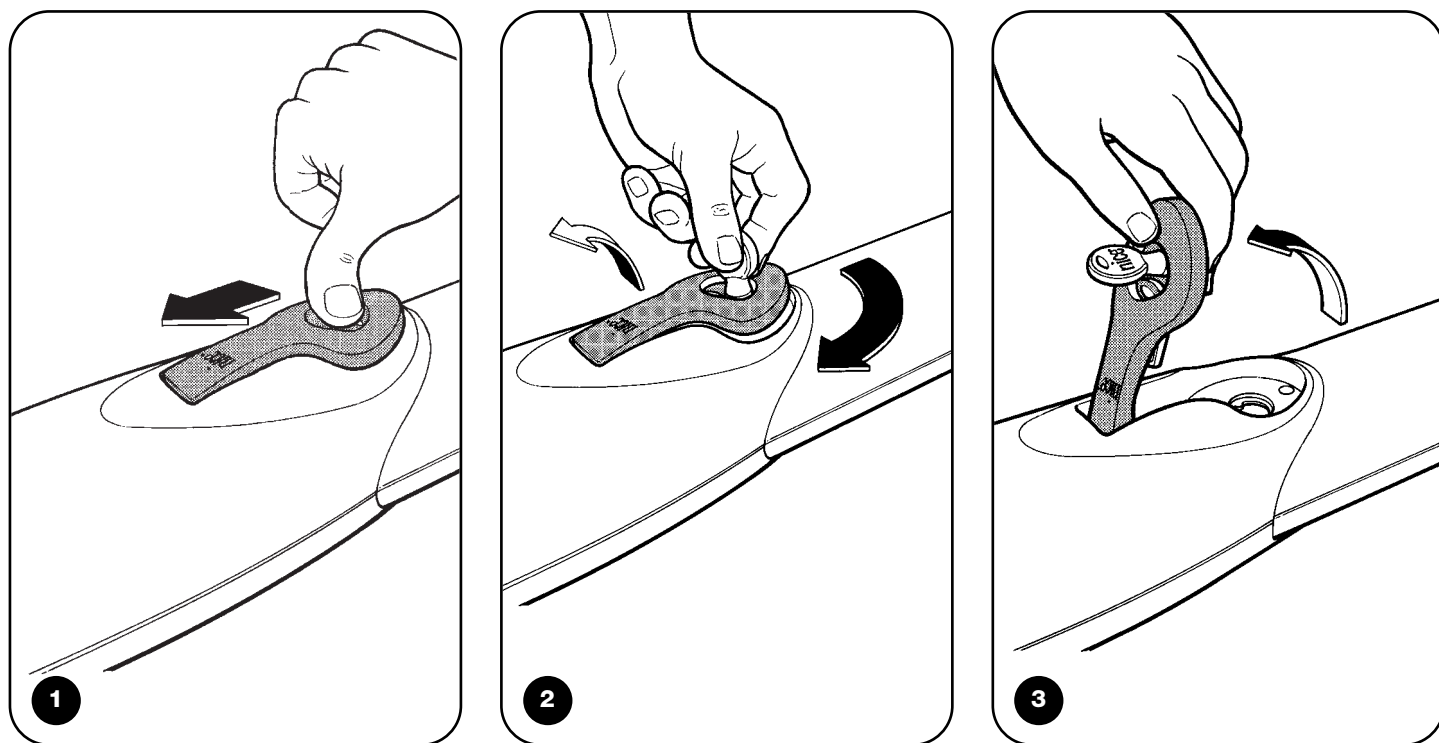
Chaque automatisme est unique et seul votre installateur possède l'expérience et la compétence professionnelle nécessaires pour réaliser une installation répondant à vos exigences, sûre et fiable dans le temps et surtout, exécutée dans les règles de l'art et conforme par conséquent aux normes en vigueur.

Une installation d'automatisation est une belle commodité ainsi qu'un système de sécurité valable ; avec quelques attentions très simples, elle est destinée à durer dans le temps.

Même si l'automatisme en votre possession satisfait le niveau de sécurité requis par les normes, cela n'exclut pas la persistance d'un "risque résiduel", c'est-à-dire la possibilité de situations de danger dues généralement à une utilisation inconsciente, voire erronée. C'est la raison pour laquelle nous désirons vous donner quelques conseils sur les comportements à adopter pour éviter tout inconvénient :

- **Avant d'utiliser pour la première fois l'automatisme**, faites-vous expliquer par l'installateur l'origine des risques résiduels et consacrez quelques minutes à la lecture du manuel **d'instructions et d'avertissement pour l'utilisateur** qui vous est remis par l'installateur. Conservez le manuel pour pouvoir le consulter pour n'importe quel doute futur et remettez-le à l'éventuel nouveau propriétaire de l'automatisme.
- **Votre automatisme est un équipement qui exécute fidèlement vos commandes**; une utilisation inconsciente et incorrecte peut le rendre dangereux: ne commandez pas le mouvement de l'automatisme si des personnes, des animaux ou des objets se trouvent dans son rayon d'action.

- **Enfants:** une installation d'automatisation garantit un degré de sécurité élevé en empêchant avec ses systèmes de détection le mouvement en présence de personnes ou d'objets et en garantissant une activation toujours prévisible et sûre. Il est prudent toutefois d'éviter de laisser jouer les enfants à proximité de l'automatisme et pour éviter les activations involontaires, de ne pas laisser à leur portée les émetteurs qui commandent la manœuvre: **ce n'est pas un jeu!**
- **Anomalies:** si vous notez une anomalie quelconque dans le fonctionnement de l'automatisme, coupez l'alimentation électrique de l'installation et procédez au débrayage manuel. Ne tentez jamais de le réparer vous-même mais demandez l'intervention de votre installateur de confiance : dans l'intervalle, l'installation peut fonctionner comme un système non automatisé, après avoir débrayé l'opérateur suivant les indications données plus loin.
- **Maintenance:** comme tout appareil, votre automatisme a besoin d'une maintenance périodique pour pouvoir fonctionner le plus longtemps possible et en toute sécurité. Établissez avec votre installateur un plan de maintenance périodique programmée ; Nice conseille une intervention tous les 6 mois pour une utilisation domestique normale mais celle période peut varier en fonction de l'intensité d'utilisation. Toute intervention de contrôle, maintenance ou réparation doit être exécutée exclusivement par du personnel qualifié.
- Même si vous estimez en être capable, ne modifiez pas l'installation et les paramètres de programmation et de réglage de l'automatisme : la responsabilité en incombe à votre installateur.
- L'essai de fonctionnement final, les maintenances périodiques et les éventuelles réparations doivent être documentés par qui les exécute et les documents doivent être conservés par le propriétaire de l'installation.
- **Mise au rebut.** À la fin de la vie de l'automatisme, assurez-vous que le démantèlement est effectué par du personnel qualifié et que les matériaux sont recyclés ou mis au rebut en respectant les normes locales en vigueur.
- **En cas de ruptures ou absence d'alimentation électrique.** En attendant l'intervention de votre installateur (ou le retour du courant si l'installation est dépourvue de batterie tampon), l'installation peut être actionnée comme n'importe quel autre système non automatisé. Pour cela, il faut effectuer le débrayage manuel : cette opération, qui est la seule pouvant être effectuée par l'utilisateur de l'automatisme, a fait l'objet d'une étude particulière de la part de Nice pour vous assurer toujours une utilisation extrêmement simple et aisée, sans aucun outil ou effort physique.



1. Faire coulisser le couvercle de protection comme l'illustre la **fig. 1**
2. Introduire la clé et la tourner dans le sens contraire aux aiguilles d'une montre comme l'illustre la **fig. 2**
3. Tirer la poignée en l'accompagnant dans le sens de la flèche jusqu'au point indiqué dans la **fig. 3**
4. Agir manuellement sur la porte ou le portail et l'accompagner jusqu'au point d'ouverture ou de fermeture maximum
5. Pour bloquer, agir dans le sens contraire

Important: si votre installation est munie d'une radiocommande qui au bout d'une certaine période présente des problèmes de fonctionnement ou ne fonctionne plus du tout, cela pourrait dépendre tout simplement du fait que la pile est usagée (suivant le type de pile, il peut s'écouler plusieurs mois jusqu'à deux ou trois ans). Vous pouvez vérifier cet état de chose si le voyant de confirmation de la transmission est faible, s'il ne s'allume plus du tout ou s'il ne s'allume qu'un bref instant. Avant de vous adresser à l'installateur, essayez de remplacer la pile en utilisant celle d'un autre émetteur qui fonctionne encore : si cette intervention remédie au problème, il vous suffit de remplacer la pile usagée par une neuve du même type.

Vous êtes satisfait? Si vous désirez équiper votre maison d'un nouvel automatisme, adressez-vous au même installateur et à Nice. Vous serez sûr de bénéficier ainsi, en plus du conseil d'un spécialiste et des produits les plus évolués du marché, également du meilleur fonctionnement et de la compatibilité parfaite des différents automatismes installés.

Nous vous remercions d'avoir lu ces recommandations et nous espérons que votre nouvelle installation vous donnera entière satisfaction : pour tout besoin présent ou futur, adressez-vous en toute confiance à votre installateur.

wingo

Inhaltsverzeichnis:	S.		S.		
1	Beschreibung des Produktes	26	3	Manuelle Betätigung oder Entriegelung	30
2	Installation	26	4	Prüfung	30
2.1	Vorprüfungen	26	5	Wartung	30
2.2	Einsatzgrenzen	26	5.1	Entsorgung	30
2.3	Befestigung	27	6	Technische Merkmale	30
2.3.1	Positionieren des hinteren Bügels	27	6.1	Modelle und Merkmale	30
2.3.2	Positionieren des vorderen Bügels	28		Anweisungen und Hinweise für den Benutzer des toröffners WINGO	31
2.3.3	Öffnung des Tors nach außen	28			
2.4	Typische Anlage	29			
2.5	Anschluss am Toröffner	29			

Wichtige Hinweise

Nice gratuliert Ihnen zur Wahl dieses Produktes und bittet Sie, diese Seiten sehr aufmerksam zu lesen.

Um den Gebrauch dieser Anweisungen so einfach wie möglich zu machen, wurde soweit möglich versucht, die Seiten in der Reihe einzuordnen, in der die verschiedenen Installationsschritte der Anlage auszuführen sind.

Vor der Installation sind die Anweisungen und das anliegende Heft "Hinweise für den Installateur" aufmerksam zu lesen, da sie, was Sicherheit, Installation, Bedienung und Wartung betrifft, wichtige Hinweise liefern.

Alles nicht ausdrücklich in diesen Anweisungen vorgesehene ist unzulässig; nicht in den Anweisungen vorgesehene Verwendungen könnten das Produkt beschädigen und Personen und Gegenstände gefährden.

Nice übernimmt keine Haftung weder für die gute Konstruktionstechnik der Tore noch für eventuelle Verformungen während des Betriebs.

Das Produkt nicht in Ex-gefährdeter Umgebung installieren.

1) Beschreibung des Produktes

WINGO ist ein elektromechanischer Toröffner für die Automatisierung von ein- oder zweiflügeligen Toren in Wohnhäusern.
Für den korrekten Betrieb des Toröffners wird die Verwendung einer NICE Steuerung empfohlen.
Dank der Entriegelung kann das Tor von Hand geöffnet werden.

2) Installation

2.1) Vorprüfungen

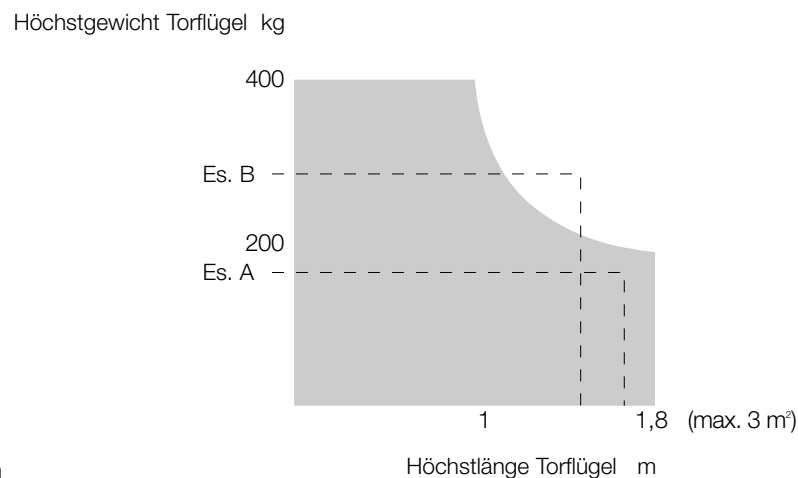
Vor dem Einbau einer Automatisierung muss geprüft werden, ob die Struktur dafür geeignet ist bzw. ob sie den gültigen Vorschriften entspricht. Insbesondere:

- darf das Tor weder in Öffnung noch in Schließung Reibungsstellen aufweisen;
- muss das Tor ein gutes Gleichgewicht besitzen bzw. darf es sich nicht bewegen, wenn es angehalten wird;
- muss das Tor einen leisen und regelmäßigen Lauf haben;
- muss der zur Befestigung des Toröffners gewählte Bereich so sein, dass die manuelle Entriegelung auf leichte und einfache Weise betätigt werden kann;
- muss die Verpackung unbeschädigt sein, siehe dazu **Abb.1**;
- ist zu prüfen, ob der Befestigungsbereich für die Gesamtabmessungen des Toröffners geeignet ist (**Abb.2**), wobei zu berücksichtigen ist, dass die Toröffnung und die Kraft, die der Motor auf das Tor ausübt, von der Stelle abhängen, an welcher der hintere Bügel befestigt wird. Daher muss vor der Installation der Abschnitt 2.3 "Befestigung" gelesen werden, um sicherzustellen, dass der Öffnungswinkel des Tors und die Kraft ausreichend sind.

⚠ Es wird daran erinnert, dass WINGO für die Automatisierung von einem an und für sich effizienten und sicheren Tor (ein- oder zweiflügeliges Tor) dient, und nicht dazu, Installationsfehlern oder einer schlechten Wartung Abhilfe zu schaffen.

2.2) Einsatzgrenzen

Form und Höhe des Tors (z.B. durchgehendes Tor) und die Wetterbedingungen (z.B. starker Wind) können die im Schaubild daneben angegebenen Werte auch erheblich reduzieren.





Beispiel eines Tors:

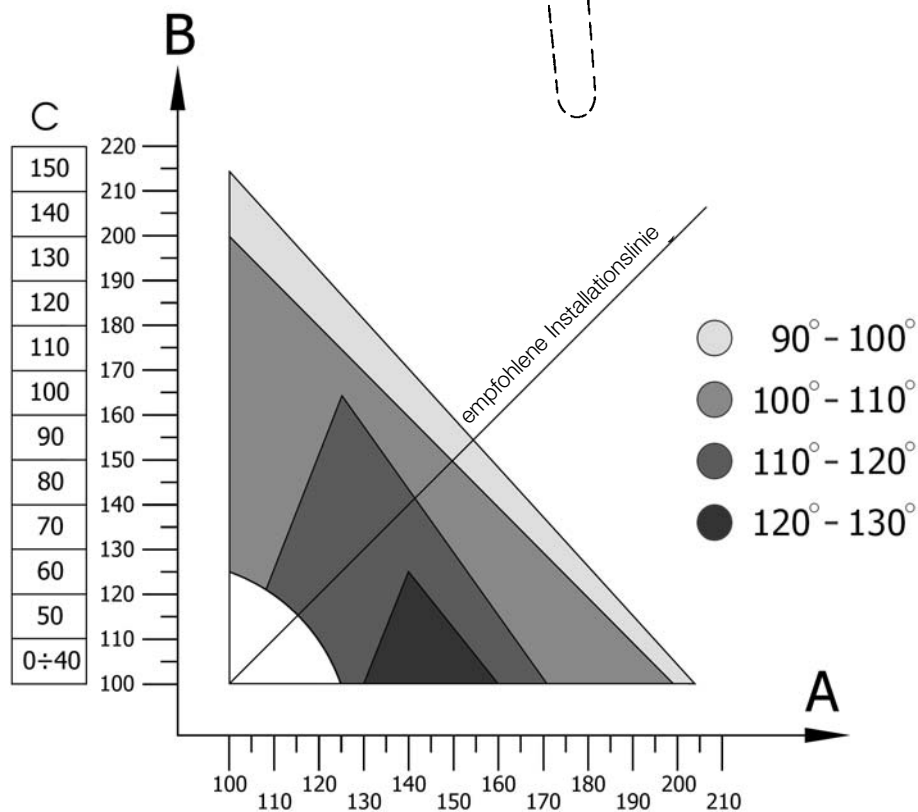
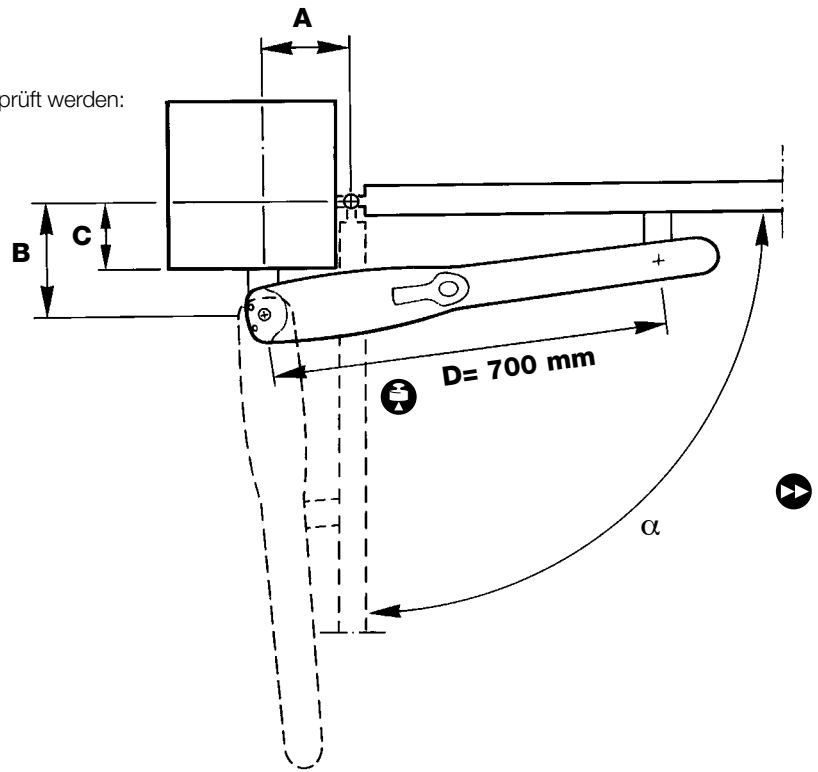
A) 180kg und 1,7 m **ok**

B) 300kg und 1,5 m **nein**

2.3) Befestigung

Für die korrekte Montage müssen folgende Punkte überprüft werden:

- 1) Vorsprung der Torsäule **C**
- 2) Bewegungswinkel α
- 3) Geschwindigkeit 
- 4) 4) Kraft 



2.3.1) Positionieren des hinteren Bügels

Die auszuführenden Schritte sind:

- 1.1 Den Wert C an Ort und Stelle messen (z.B. 70 mm).
- 1.2 Im Schaubild durch den Wert C eine horizontale Linie ziehen (**Abb.8**).
- 1.3 Den Wert "B Minimum" mit Hilfe der soeben gezogenen horizontalen Linie im Schaubild ermitteln (im Beispiel: 130 mm – **Abb.9**). Der Bereich über dieser Linie enthält die zum Positionieren des Bügels gültigen Punkte.
- 2 Der Bewegungswinkel, den das Tor ausführen kann, und die Positionen der Bügel (A und B) stehen in einem bestimmten Verhältnis, wie im Schaubild des Produktes gezeigt (Abschnitt

- 3 Wir erinnern daran, dass innerhalb des ermittelten Bereichs die Kraft auf dem Tor und die Öffnungs- und Schließzeit zu den Werten A und B direkt proportional sind und dass diese Werte für einen linearen Betrieb untereinander ähnlich sein müssen, daher der empfohlenen Installationslinie folgen.

2.3.2) Positionieren des vorderen Bügels

Der vordere Bügel muss unter Einhaltung des Maßes **D** (siehe Zeichnung in Abschnitt 2.3 Befestigung) mit einer Zwinge am Tor befestigt werden.

Vor der endgültigen Befestigung:

1. prüfen, ob der Toröffner beim Schließen perfekt horizontal bleibt (**Abb.4**).
2. das Tor von Hand öffnen und schließen, um zu prüfen, ob die Bewegung regelmäßig ist;
3. den Toröffner entfernen und den vorderen Bügel anschweißen (21).

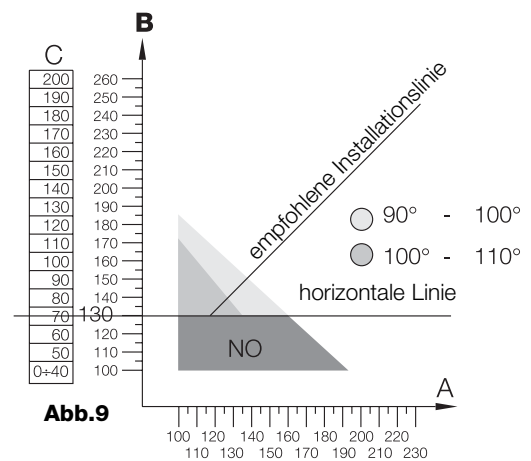
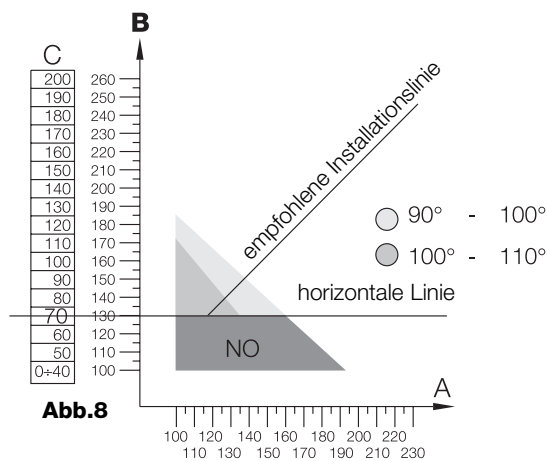
Befestigung hinten des Toröffners (**Abb.5**)

WINGO mit der Schraube (22), der Unterlegscheibe (48) und der Mutter (55) am Bügel (51) befestigen; die Mutter zuerst ganz anschrauben, dann um ca. 1/10 Umdrehung lockern, um ein gewisses Spiel zwischen den Teilen zu ermöglichen.

Befestigung vorne des Toröffners (**Abb.6**)

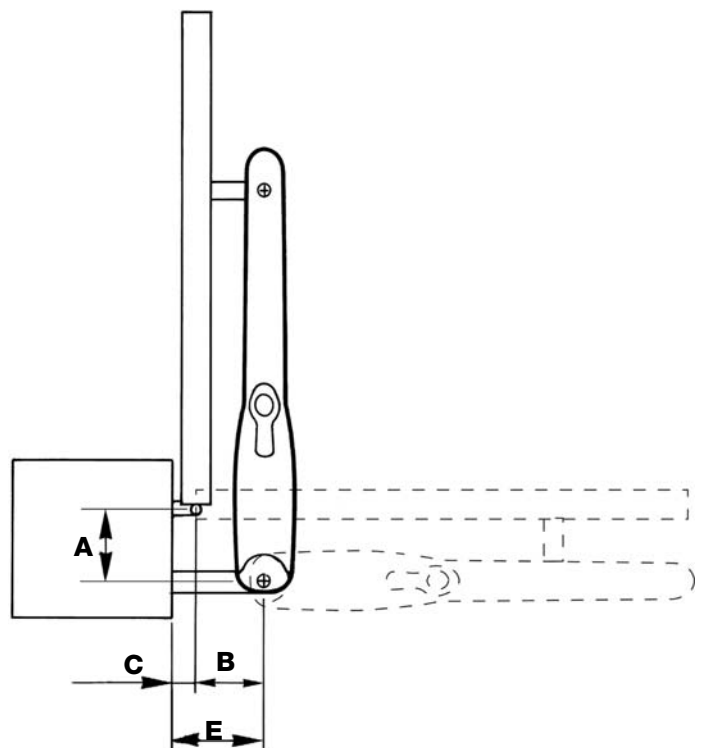
Die vordere Gabel (18) von WINGO in den vorderen Bügel (21) einstecken und mit der Schraube (47) und der Unterlegscheibe (54) blockieren.

Beispiel

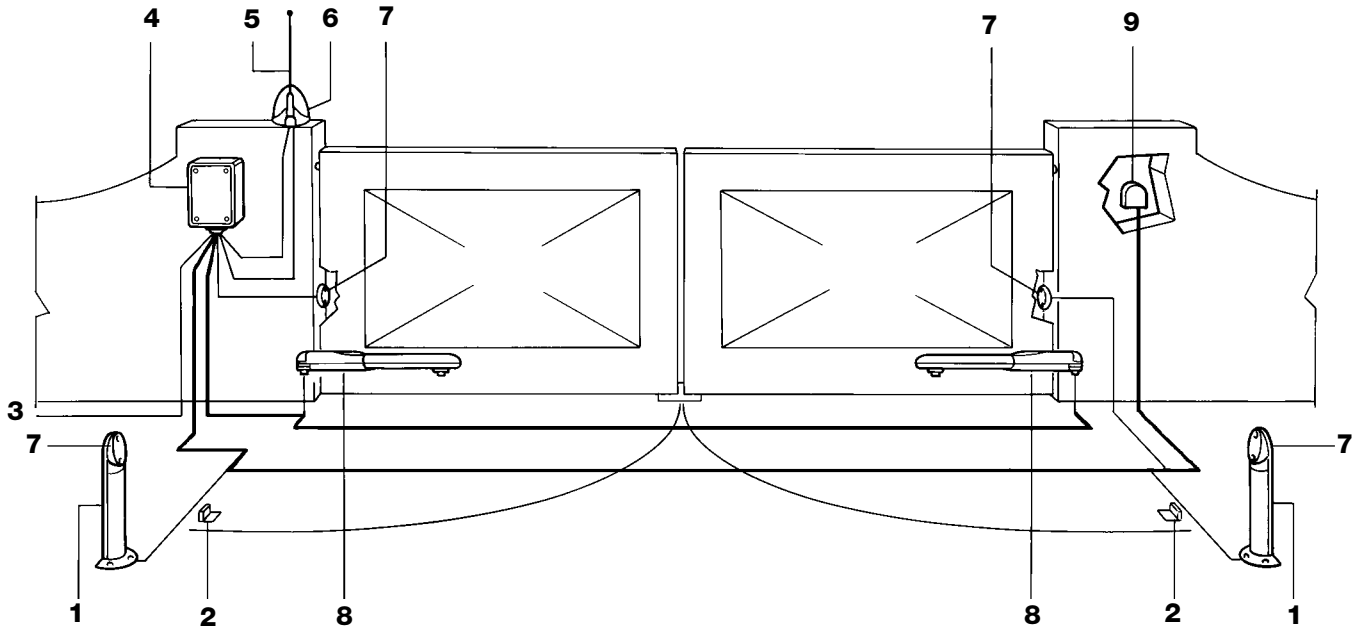


2.3.3) Öffnung des Tors nach außen

Für Werte von E über 140 mm, selbst für die Verlängerung des Bügels sorgen.



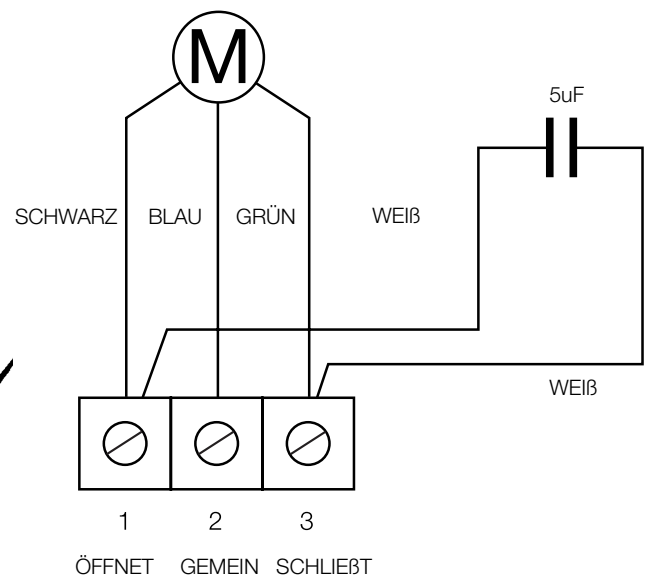
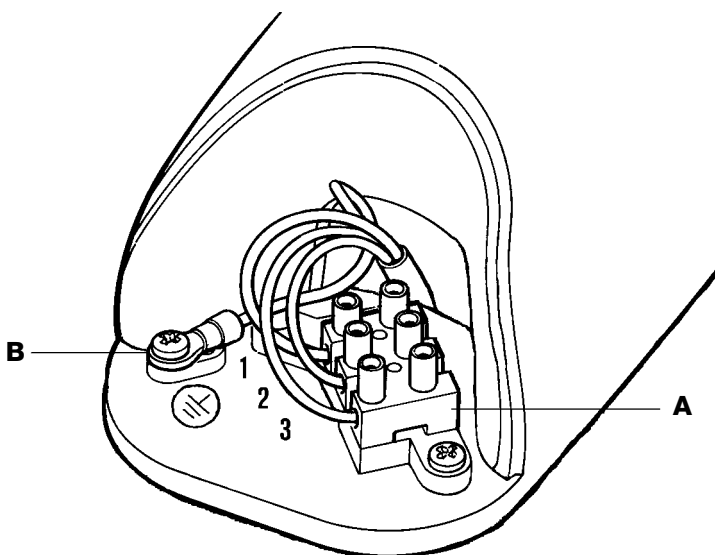
2.4) Typische Anlage



- 1 Standsäule für Photozellen
- 2 Paar Endanschläge in Öffnung
- 3 Netzstromlinie
- 4 Steuerung A400
- 5 Antenne
- 6 Blinkleuchte
- 7 Photozelle
- 8 Toröffner WINGO
- 9 Schlüsseltaster oder drahtloses digitales Codeschloss

2.5) Anschluss am Toröffner

Die Nummerierung in der Tabelle beachten und die Anschlüsse am Klemmenbrett (A) nach dem Schaltplan ausführen.



⚠ Es wird daran erinnert, das Erdungskabel (B) immer wie von den gültigen Normen (EN 60204 - CEI 64-1, EN 60335) vorgesehem, zu verbinden

3) Manuelle Betätigung oder Entriegelung

Die manuelle Betätigung (**Abb.3**) muss bei Stromausfall oder Störungen der Anlage ausgeführt werden.

Durch die manuelle Betätigung wird sich der Toröffner nur, falls korrekt und mit den Original-Zubehörteilen montiert, frei bewegen.

4) Prüfung

Die Prüfung der ganzen Anlage muss von erfahreinem Fachpersonal ausgeführt werden, das die erforderlichen Tests je nach vorhandenem Risiko festzulegen hat.

Für die Prüfung von WINGO ist wie folgt vorzugehen:

- das Tor schließen;
- die Spannungsversorgung zur Steuerung abschalten;
- den Toröffner entriegeln;
- das Tor in seinem ganzen Lauf von Hand öffnen;
- prüfen, ob das Tor während seiner Bewegung keinen Reibungen unterliegt;
- prüfen, ob sich das Tor nicht bewegt, wenn es entriegelt ist und an einer beliebigen Stelle angehalten wird;
- prüfen, ob die Sicherheitssysteme und die mechanischen Anschläge in gutem Zustand sind;
- prüfen, ob die Schraubverbindungen fest angezogen sind;
- prüfen, ob die Mutter und die gewalzte Schraube mit Innengewinde gut eingefettet sind;
- prüfen, ob die Photozellen sauber sind;
- nach den Prüfungen den Toröffner wieder verriegeln und die Steuerung mit Spannung versorgen;
- WINGO ist nicht mit Drehmomentregelung versehen, diese Regelung wird daher der Steuerung anvertraut;
- die Aufprallkraft messen, wie von den Normen EN12445 und EN12453 vorgesehen.

5) Wartung

WINGO bedarf während seiner Lebensdauer keiner besonderen Wartungseingriffe, trotzdem garantiert eine regelmäßige Wartung mindestens alle 6 Monate eine längere Lebensdauer und ein korrektes und sicheres Funktionieren des Systems.

Die Wartung besteht aus einer Wiederholung des Prüfverfahrens.

5.1) Entsorgung

WINGO besteht aus verschiedenen Werkstoffen, die nach den gültigen Vorschriften der einzelnen Länder zu entsorgen sind. Im Falle eines Abbruchs der Automatisierung gibt es keine besonderen Gefahren oder Risiken aufgrund der Automatisierung selbst.

Die Werkstoffe müssen nach Typ getrennt werden (elektrische Teile, Aluminium, Kunststoff, usw.), wenn man sie der differenzierten Müllabfuhr übergeben will.

6) Technische Merkmale

6.1) Modelle und Merkmale

		WG4000	WG4000/V1
Spannungsversorgung	(Vac/Hz)	230/50	110/60
Stromaufnahme	(A)	0,5	1
Leistungsaufnahme	(W)		120
Eingebauter Kondensator	(uF)	5	10
Schutzart	(IP)		44
Geschwindigkeit	(m/s)	0,016	0,020
Lauf	(mm)		320
Max. Schub	(N)		1500
Betriebstemperatur	(°C)		-20 ÷ +50
Wärmeschutz	(°C Min/Max)		140
Arbeitszyklen	(%)		30
Gewicht	(kg)		5



wingo

Anweisungen und Hinweise für den Benutzer des Toröffners WINGO

Wir danken Ihnen, dass Sie ein Nice Produkt für Ihre Automatisierung gewählt haben!

Nice S.p.A. stellt Komponenten für die Automatisierung von Toren, Türen, Jalousien und Markisen her: Getriebemotoren, Steuerungen, Fernbedienungen, Blinkleuchte, Photozellen und andere Zubehörteile.

Nice verwendet nur Qualitätswerkstoffe und -bearbeitungen und ist, da sie ihrer Tätigkeit mit Leib und Seele gewidmet ist, immer auf der Suche nach neuen Lösungen, um den Gebrauch der hergestellten Geräte, die von der Technik, dem Aussehen und der Ergonomie her besonders gepflegt sind, so einfach wie möglich zu machen: unter den zahlreichen Nice Produkten wird Ihr Installateur bestimmt das für Sie richtige gewählt haben.

Nice ist aber nicht der Hersteller Ihrer Automatisierung, ein Ganzes, das sich aus Analysen, Bewertungen, Auswahl der verschiedenen Teile und Durchführung der Anlage durch Ihren Vertrauensinstallateur ergibt.

Jede Automatisierung ist einzigartig, und nur Ihr Installateur besitzt die Erfahrung und Professionalität, die notwendig sind, um eine Anlage auszuführen, die Ihrem Bedarf entspricht, sicher und dauerhaft zuverlässig, und vor allem fachgerecht gemacht, d.h. den gültigen Vorschriften entsprechend.

Eine Automatisierungsanlage ist bestimmt bequem, aber auch ein wertvolles Sicherheitssystem, und mit wenigen, einfachen Maßnahmen dauert sie lange Jahre.

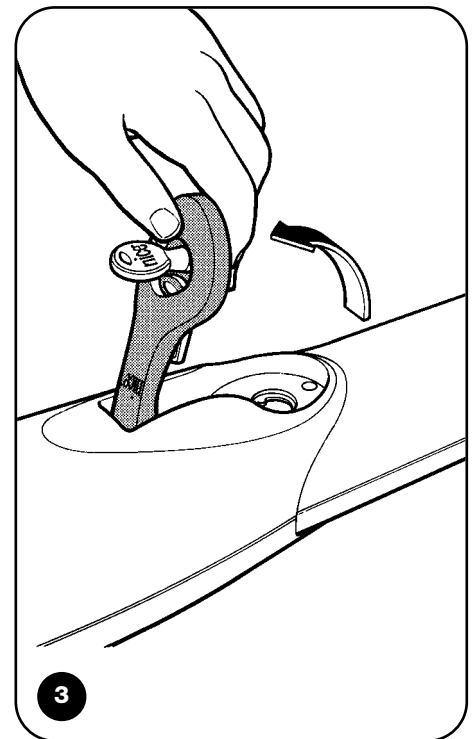
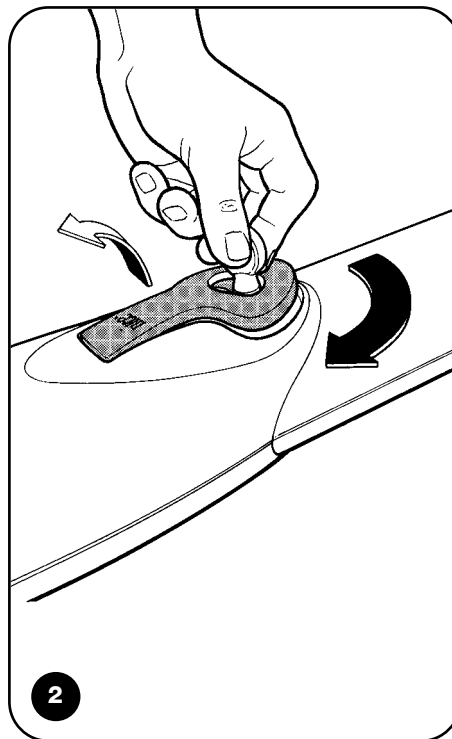
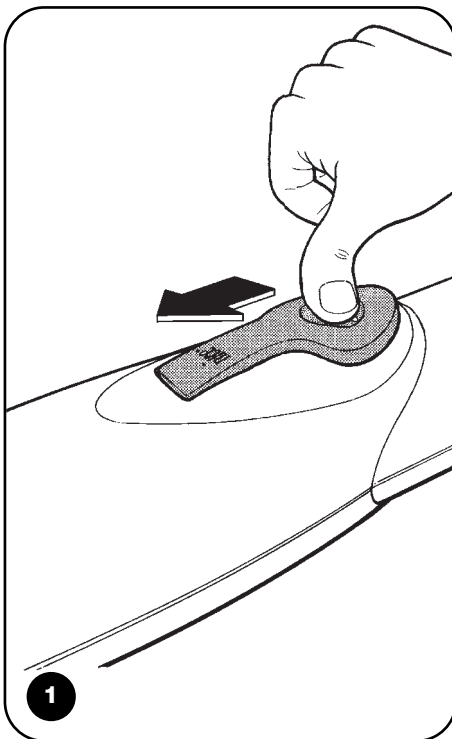
Auch wenn Ihre Automatisierung den Sicherheitsanforderungen der Vorschriften gerecht wird, ist dadurch das Vorhandensein eines "Restrisikos" nicht ausgeschlossen. Damit ist gemeint, dass Gefahren auftreten können, die normalerweise durch einen verantwortungslosen oder sogar falschen Gebrauch verursacht werden. Aus diesem Grund möchten wir Ihnen ein paar Ratschläge geben, wie man sich verhalten soll, um dies zu vermeiden:

- **Lassen Sie sich vom Installateur die Restrisiken erklären**, bevor Sie Ihre Automatisierung zum ersten Mal verwenden. Widmen Sie den Anweisungen und Hinweisen für den Benutzer, **die Ihnen von Ihrem Installateur übergeben werden**, ein paar Minuten Ihrer Zeit. Bewahren Sie die Anweisungen für zukünftige Zweifel auf und übergeben Sie diese einem eventuellen neuen Eigentümer der Automatisierung.
- **Ihre Automatisierung ist ein Gerät, das Ihre Befehle getreu ausführt**; ein verantwortungsloser und unsachgemäßer Gebrauch kann sie gefährlich machen: Bewegungen der Automatisierung sollten Sie besser nicht machen, wenn sich Personen, Tiere oder Gegenstände in ihrem Aktionskreis befinden.

- **Kinder:** eine Automatisierungsanlage gewährleistet ein hohes Sicherheitsniveau, da aufgrund ihrer Regelsysteme keine Bewegung stattfinden wird, wenn Personen oder Gegenstände vorhanden sind, was eine immer vorhersehbare und sichere Aktivierung gewährleistet. Aus Vorsicht ist es aber immer besser, Kindern das Spielen in der Nähe der Automatisierung zu verbieten und die Fernbedienungen nicht in ihrer Reichweite zu lassen: **die Automatisierung ist kein Spielzeug!**
- **Störungen.** Schalten Sie die Stromversorgung zur Anlage ab, sobald Sie ein nicht normales Verhalten der Automatisierung bemerken, und entriegeln Sie das Tor von Hand. Versuchen Sie nicht, selbst Reparaturen auszuführen, überlassen Sie diese Ihrem Vertrauensinstallateur: in der Zwischenzeit, nachdem Sie den Toröffner wie später beschrieben entriegelt haben, kann die Anlage wie ein nicht automatisiertes Tor funktionieren.
- **Wartung.** Wie jedes Gerät bedarf Ihre Automatisierung einer regelmäßigen Wartung, damit sie so lange wie möglich und vollkommen sicher funktionieren kann. Vereinbaren Sie mit Ihrem Installateur einen Wartungsplan mit periodischer Häufigkeit; Nice empfiehlt bei normalem Gebrauch im Haushalt eine Wartung alle 6 Monate, diese Zeit kann sich aber je nach Verwendung ändern. Kontrollen, Wartungs- und Reparaturarbeiten dürfen nur von

Fachpersonal ausgeführt werden.

- Auch wenn Sie nach Ihrer Meinung wissen, wie man es macht, sollten Sie Änderungen der Anlage und der programmierten Parameter und Regelungen der Automatisierung unterlassen: diese Verantwortung steht Ihrem Installateur zu.
- Die Endprüfung, die regelmäßigen Wartungen und die eventuellen Reparaturen müssen vom Ausführenden dokumentiert sein, und diese Dokumente muss der Eigentümer der Anlage aufbewahren.
- **Entsorgung.** Versichern Sie sich, dass die Automatisierung am Ende ihrer Lebensdauer von Fachpersonal abgerüstet wird und dass die Werkstoffe gemäß den örtlich gültigen Vorschriften rückgewonnen oder entsorgt werden.
- **Sollte die Automatisierung beschädigt oder nicht mit Strom versorgt sein,** warten Sie auf den Eingriff Ihres Installateurs (oder bis der Strom wieder vorhanden ist, falls die Anlage keine Pufferbatterie hat). Sie können Ihr Tor trotzdem öffnen, wie wenn es ohne Automatisierung wäre. Dazu müssen Sie den Toröffner entriegeln. Die Entriegelungsvorrichtung, die als einziges Teil der Automatisierung vom Benutzer selbst betätigt werden kann, wird von Nice mit besonderer Sorgfalt hergestellt, da wir Ihnen immer einfachste Betätigung ohne Gebrauch von Werkzeugen oder körperlichen Anstrengungen gewährleisten wollen.



1. Die Schutzmembran wie in **Abb. 1** gezeigt wegschieben
2. Den Schlüssel einstecken und gegen den Uhrzeigersinn drehen – siehe **Abb. 2**
3. Den Griff in Pfeilrichtung bis zu dem in **Abb. 3** gezeigten Punkt ziehen ziehen
4. Den Torflügel von Hand bis zur maximalen Öffnung oder Schließung schieben
5. Zum Verriegeln, auf umgekehrte Weise vorgehen

Wichtig: falls Ihre Anlage mit einer Fernbedienung ausgestattet ist, die nach einiger Zeit schlechter oder gar nicht funktioniert, so könnte das einfach von der Batterie abhängen (je nach Batterietyp, kann dies nach mehreren Monaten, sogar nach zwei oder drei Jahren der Fall sein). Dass die Batterie fast leer ist, werden Sie am Bestätigungsleuchtmelder merken, der immer weniger oder nur ganz kurz aufleuchtet. Versuchen Sie, die Batterie mit der eines anderen, funktionierenden Senders auszutauschen, bevor Sie sich an Ihren Installateur wenden: es genügt gegebenenfalls, die Batterie mit einer gleichen Typs auszutauschen.

Sind Sie zufrieden? Wenden Sie sich an den gleichen Installateur und an Nice, falls Sie eine weitere Automatisierung in Ihr Haus einbauen wollen – Sie werden sich dadurch die Beratung eines Fachmanns und die hoch entwickeltesten Produkte auf dem Markt zusichern, neben optimalem Betrieb und maximaler Kompatibilität der verschiedenen Automatisierungen.

Wir danken Ihnen, dass Sie diese Ratschläge gelesen haben und wünschen Ihnen maximale Zufriedenheit mit Ihrer neuen Anlage: für jeden gegenwärtigen oder zukünftigen Bedarf können Sie sich mit Vertrauen an Ihren Installateur wenden.

wingo

Índice:	pág.		pág.		
1	Descripción del producto	34	3	Maniobra manual o desbloqueo	38
2	Instalación	34	4	Ensayo	38
2.1	Controles preliminares	34	5	Mantenimiento	38
2.2	Límites de empleo	34	5.1	Desguace	38
2.3	Sujeción	35	6	Características técnicas	38
2.3.1	Posicionamiento del estribo trasero	35	6.1	Modelos y características	38
2.3.2	Posicionamiento del estribo delantero	36		Instrucciones y advertencias destinadas al usuario del motorreductor WINGO	39
2.3.3	Apertura de la puerta hacia afuera	36			
2.4	Instalación típica	37			
2.5	Conexión al motorreductor	37			

Advertencias importantes

Nice les agradece por haber elegido este producto y les invita a leer con mucha atención estas páginas.

Para simplificar el uso de estas instrucciones, hemos tratado de compaginarlas respetando el orden con que se deben ejecutar las diferentes etapas de instalación del equipo.

Es necesario leer con atención las instrucciones y el fascículo adjunto "Advertencias para el instalador" antes de proceder con la instalación, puesto que suministran indicaciones importantes acerca de la seguridad, instalación, uso y mantenimiento.

Todo aquello que no está previsto expresamente en estas instrucciones no está permitido; en efecto, usos no indicados en las instrucciones podrían ser fuentes de averías para el producto y poner en peligro las personas o cosas.

Nice no se asume ninguna responsabilidad por la inobservancia de la buena técnica en la fabricación de las puertas, o por deformaciones que se podrían producir durante el uso.

No instale el producto en lugares con riesgo de explosión.

1) Descripción del producto

WINGO es un motorreductor electromecánico para la automatización de puertas de una o dos hojas para uso residencial. Se aconseja usar una central NICE para un funcionamiento correcto del motorreductor. El desbloqueo permite abrir manualmente la puerta.

2) Instalación

2.1) Controles preliminares

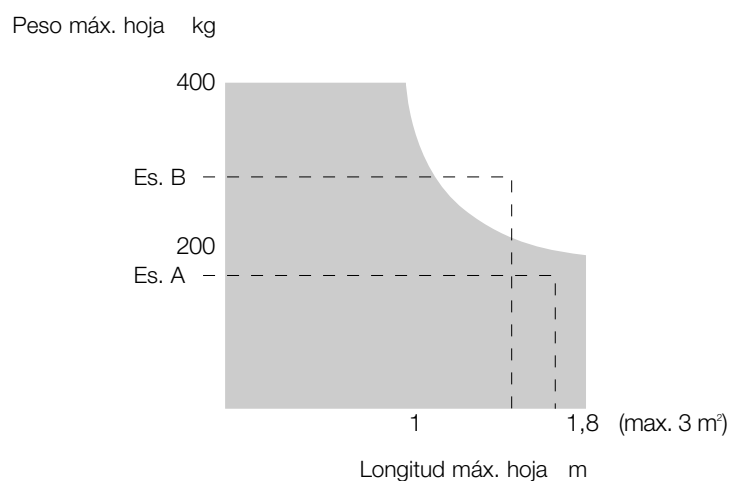
Antes de empezar la instalación, es necesario controlar que la estructura sea adecuada, es decir, conforme a las normas vigentes; controle especialmente que:

- la puerta no tenga puntos de fricción tanto durante el cierre como durante la apertura;
- la puerta esté bien equilibrada, es decir que al detenerse en cualquier posición, no tienda a moverse;
- el movimiento de la puerta sea silencioso y regular;
- la zona en donde se fijará el motorreductor permita una maniobra manual fácil y segura;
- el paquete esté íntegro, refiérase a la **fig.1**;
- la zona de sujeción sea compatible con las dimensiones del motorreductor (**fig.2**), teniendo en cuenta que la apertura de la puerta y la fuerza que el motor ejerce sobre la misma dependen del punto de sujeción del estribo trasero. Por ello, antes de proceder con la instalación, es necesario leer el párrafo 2.3 "Sujeción", para asegurarse de que la puerta tenga un ángulo de apertura y fuerza que satisfagan las exigencias requeridas.

⚠ Recuerde que WINGO motoriza una puerta (de una o dos hojas) eficiente y segura y no compensa defectos causados por una instalación incorrecta o por un mantenimiento mal hecho.

2.2) Límites de empleo

La forma, altura de la puerta (por ej. ciega) y las condiciones climáticas (por ej. viento fuerte) pueden reducir notablemente los valores indicados en el siguiente gráfico.





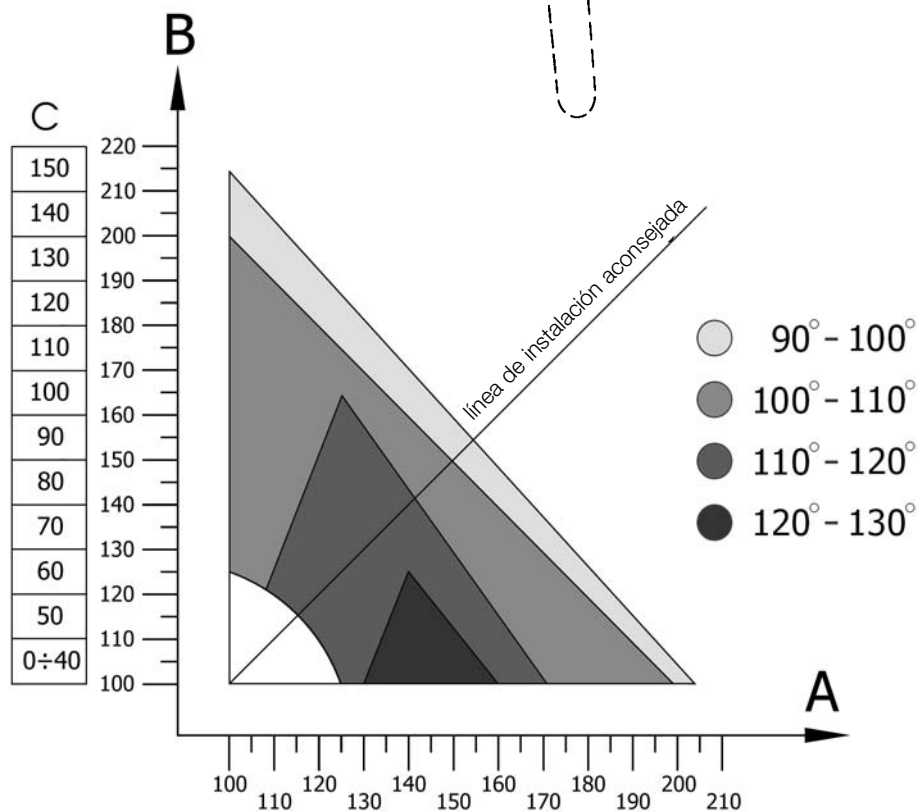
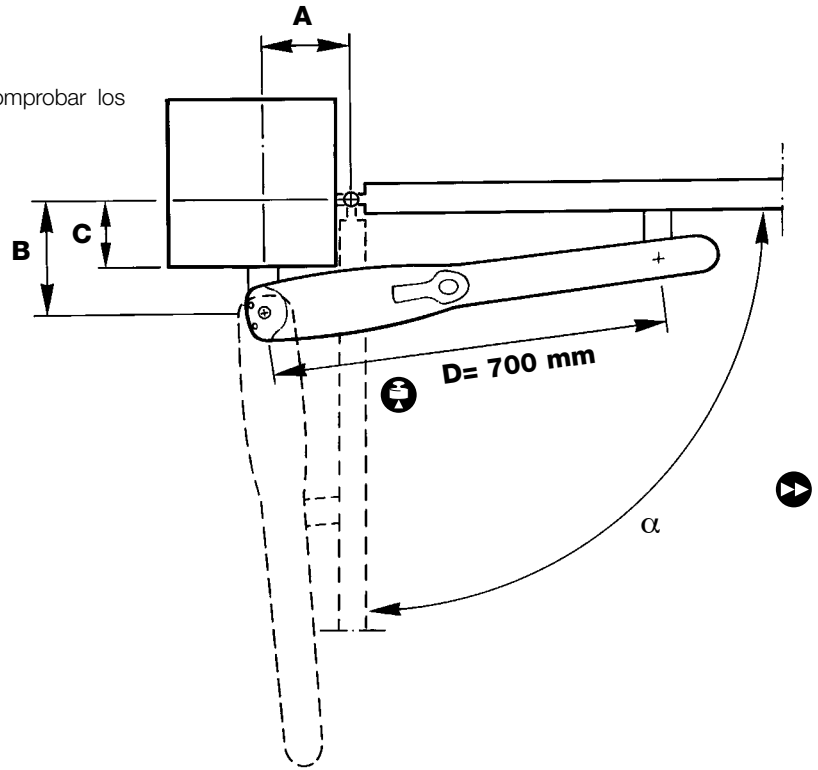
Ejemplo puerta:

- A) 180 kg y 1,7m **ok**
B) 300 kg y 1,5m **no**

2.3) Sujeción

Para efectuar el montaje correctamente, hay que comprobar los siguientes puntos:

- 1) Distancia de la bisagra **C**
desde borde columna
- 2) Ángulo de maniobra α
- 3) Velocidad 
- 4) Fuerza 



2.3.1) Posicionamiento del estribo trasero

Las operaciones que se han de cumplir son:

- 1.1 Mida en el lugar el valor C (ej. 70 mm).
- 1.2 Individúe en el gráfico el valor C y trace una línea horizontal (**fig.8**)
- 1.3 Individúe el valor "B mínimo" del gráfico con la línea horizontal apenas trazada (en el ejemplo 130 mm **fig.9**), la zona de arriba de dicha línea contiene los puntos válidos para la sujeción.
- 2 Existe una relación entre el ángulo de maniobra que puede efectuar la puerta y las posiciones de sujeción (A y B), como muestra el gráfico correspondiente al producto (párrafo posicionamiento del estribo trasero) en donde zonas de color diferentes representan los ángulos máximos permitidos. Por

- ejemplo (**fig.9**), si se desea abrir la puerta 100°÷110°, A y B deben individuar un punto en el gráfico que pertenezca a la zona de color correspondiente.
- 3 En el interior de la zona individuada, se recuerda que la fuerza dada a la puerta y el tiempo de apertura y cierre, son directamente proporcionales a los valores A y B, y que para un funcionamiento lineal, dichos valores deben ser similares entre sí; luego, siga la línea de instalación aconsejada.

2.3.2) Posicionamiento del estribo delantero

El estribo delantero (21) se debe colocar con el sujetador correspondiente en la puerta, respetando la cota **D** (véase dibujo que corresponde al párrafo 2.3 Sujeción); antes de proceder con la sujeción definitiva:

1. controle que la línea de cierre del motorreductor sea perfectamente horizontal (**fig.4**).
2. abra y cierre la puerta manualmente para controlar que el movimiento sea regular.
3. extraiga el motorreductor y suelde el estribo delantero (21).

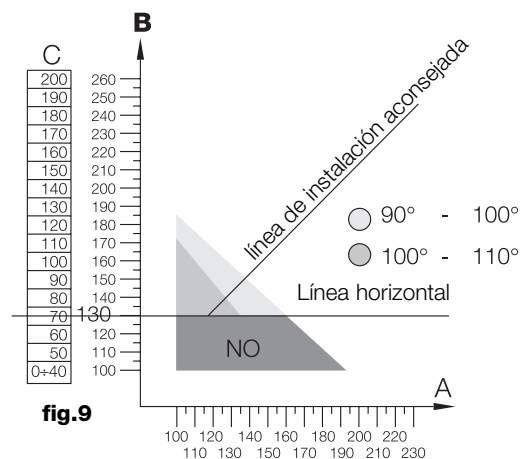
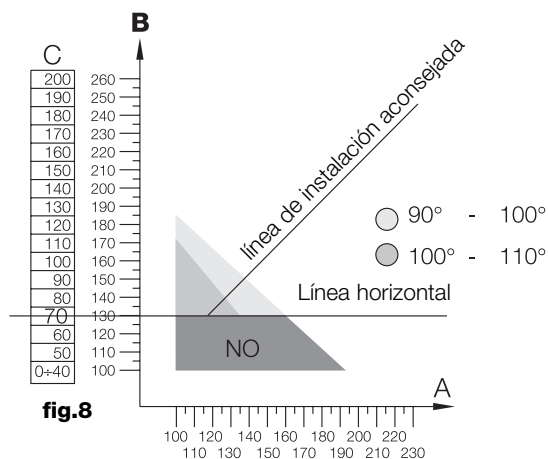
Sujeción trasera del motorreductor (fig.5)

Fije WINGO al estribo (22) con el tornillo (48), la arandela (55) y la tuerca (51); enrosque completamente esta última y luego desenrósquela alrededor de 1/10 de vuelta para permitir un cierto juego entre las piezas.

Sujeción delantera del motorreductor (fig.6)

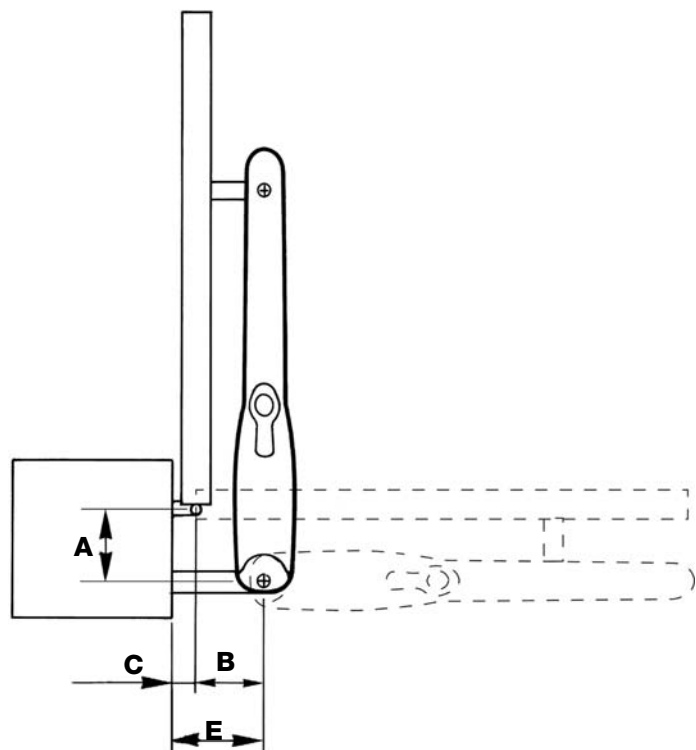
Introduzca la horquilla delantera de WINGO (18) en el estribo delantero (21), bloqueándolo con el tornillo (47) y la arandela (54).

Ejemplo

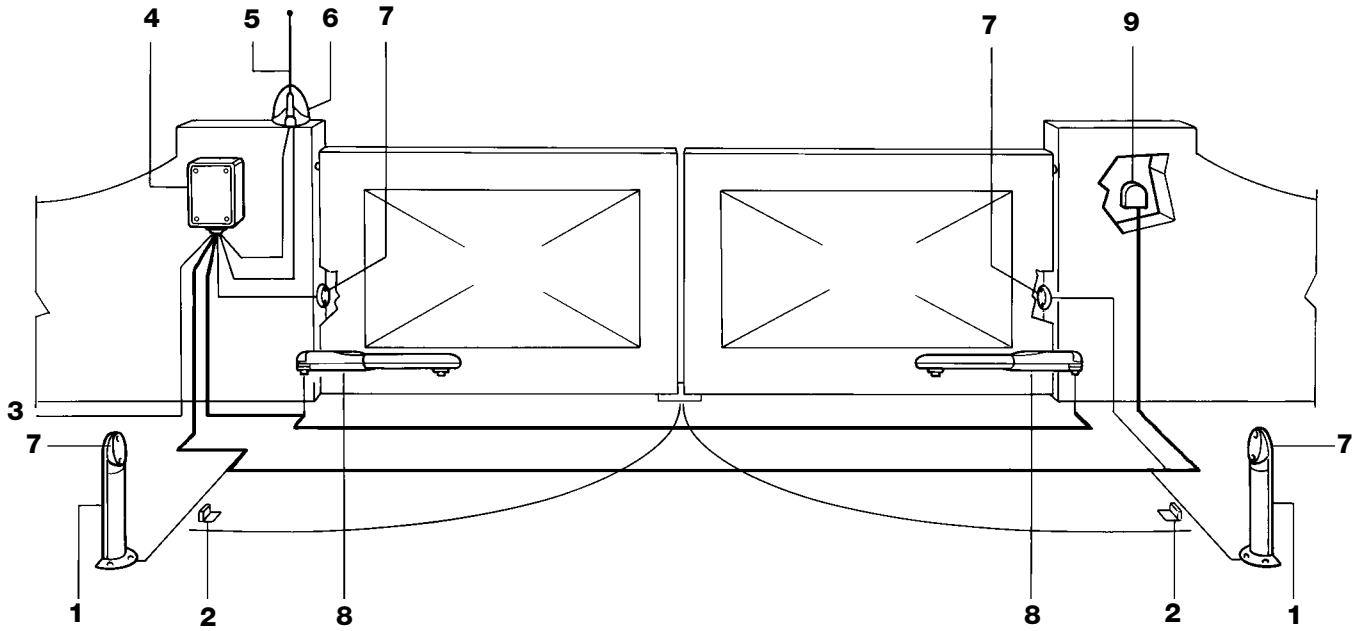


2.3.3) Apertura de la puerta hacia afuera

Para los valores E superiores a 140 mm, prolongue por su cuenta los estribos.



2.4) Instalación típica

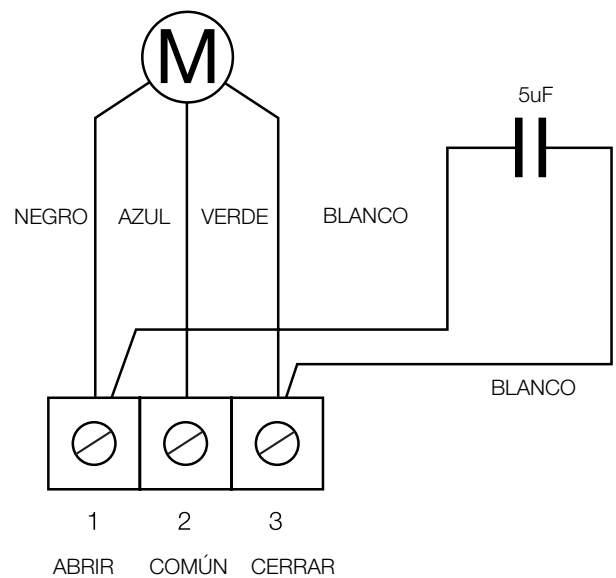
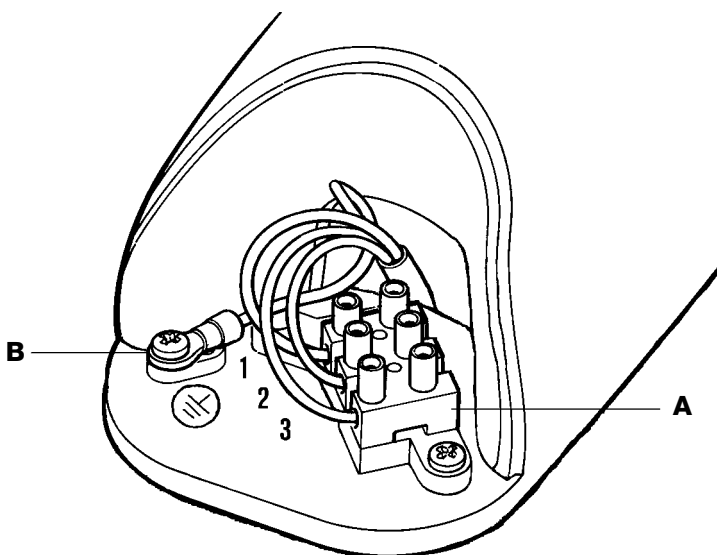


- 1 Columnas para fotocélulas
- 2 Par de topes de apertura
- 3 Línea eléctrica de alimentación
- 4 Central de mando A400
- 5 Antena
- 6 Luz intermitente
- 7 Fotocélula
- 8 Actuador WINGO
- 9 Selector de llave o teclado digital

E

2.5) Conexión al motorreductor

Respetando la numeración de la tabla, realice las conexiones a la regleta de bornes (A), siguiendo el esquema eléctrico.



⚠ Recuerde de conectar siempre el cable de tierra (B) como previsto por las normativas vigentes (EN 60204 - CEI 64-1, EN 60335)

3) Maniobra manual o desbloqueo

La operación manual (**fig. 3**) se debe llevar a cabo cuando falta la corriente o cuando hay alguna irregularidad en la instalación.

La maniobra manual permite una carrera libre del motorreductor sólo si está montado correctamente y con los accesorios originales.

4) Ensayo

El ensayo de toda la instalación tiene que ser efectuado por personal experto y cualificado, que deberá hacerse cargo de los ensayos requeridos, según el riesgo presente.

Para probar WINGO, siga este procedimiento:

- cierre la puerta;
- corte la alimentación a la central;
- desbloquee el motorreductor;
- abra manualmente la puerta hasta el tope de apertura;
- controle que la puerta durante el movimiento no tenga puntos de fricción;
- controle que la puerta, detenida en cualquier posición y desbloqueada, no tienda a moverse;
- controle que los sistemas de seguridad y los topes mecánicos estén en buenas condiciones;
- controle que las conexiones de tornillos estén bien apretadas;
- controle que la tuerca y el tornillo laminado estén bien engrasados;
- controle que las fotocélulas estén bien limpias;
- concluya los controles bloqueando nuevamente el motorreductor y conectando la central.
- WINGO no está equipado con un dispositivo de regulación de par; por lo tanto dicha regulación la realiza la central de mando.
- mida la fuerza de impacto, como previsto por la normativa EN 12453 y EN 12445.

5) Mantenimiento

WINGO no requiere trabajos de mantenimiento especiales. Un control programado cada seis meses como mínimo permite obtener una mayor duración del motorreductor y un funcionamiento correcto y seguro del sistema.

El mantenimiento consiste en repetir el procedimiento de ensayo.

5.1) Desguace

WINGO está formado de varios tipos de materiales. El desguace de dichos materiales se debe efectuar respetando las normas locales vigentes.

En el caso de desguace de la automatización, no existen peligros o riesgos particulares causados por la misma automatización.

Si se debe realizar una recogida selectiva, es oportuno separar los materiales por tipo (piezas eléctricas, aluminio, plástico, etc.).

6) Características técnicas

6.1) Modelos y características

		WG4000	WG4000/V1
Alimentación	(Vac/Hz)	230/50	110/60
Corriente absorbida	(A)	0,5	1
Potencia absorbida	(W)		120
Condensador incorporado	(µF)	5	10
Grado de protección	(IP)		44
Velocidad	(m/seg.)	0,016	0,020
Carrera	(mm)		320
Empuje máx.	(N)		1500
Temp. de servicio	(°C Mín/Máx.)		-20 ÷ +50
Protección térmica	(°C)		140
Ciclos de trabajo	(%)		30
Peso	(kg)		5

motorreductor para
puertas de batiente



wingo

E

Instrucciones y advertencias destinadas al usuario del motorreductor WINGO

¡Felicitaciones por haber elegido un producto de automatización Nice!

Nice S.p.A. fabrica componentes para la automatización de cancelas, puertas, persianas y toldos: motorreductores, centrales de mando, radiomandos, luces intermitentes, fotocélulas y accesorios.

Nice emplea sólo materiales de calidad y, es su vocación buscar soluciones innovadoras que simplifiquen al máximo el empleo de sus aparatos, con soluciones técnicas, estéticas y ergonómicas muy estudiadas: en la vasta gama de productos Nice, su instalador habrá elegido sin dudas el producto más adecuado a sus exigencias.

Sin embargo, Nice no es el fabricante de su automatización, que en cambio es una obra de análisis, elección de los materiales y realización de la sistema realizada por su instalador de confianza.

Cada automatización es única y sólo su instalador posee la experiencia y profesionalidad necesarias para ejecutar una instalación según sus exigencias, segura y confiable en el tiempo, y, sobre todo, según las reglas del arte, de acuerdo con las normativas vigentes.

Una instalación de automatización es una comodidad además de un sistema de seguridad válido y, con pocas y simples soluciones, está destinada a durar por mucho tiempo.

Aunque si su automatización cumple con el nivel de seguridad requerido por las normas, no queda excluida la posibilidad de un "riesgo residual", es decir, la posibilidad de que se puedan producir situaciones peligrosas, causadas generalmente por un uso inconsciente o incorrecto; por dicho motivo, deseamos darle algunos consejos sobre el comportamiento que hay que tener para evitar inconvenientes:

- **Antes de usar por primera vez la automatización**, pida explicaciones al instalador sobre el origen de los riesgos residuales, y dedique algunos minutos a la lectura del **manual de instrucciones y advertencias para el usuario** que le ha entregado el instalador. Conserve el manual para cualquier duda que pueda tener en un futuro y para entregarlo junto con la automatización en caso de reventa.
- **Su automatización es una máquina que sigue fielmente sus mandos**; un uso inconsciente e inadecuado puede volverla peligrosa: no accione el movimiento de la automatización si en su radio de acción hay personas, animales o cosas.

COMPANY
WITH QUALITY SYSTEM
CERTIFIED BY DNV
=ISO 9001/2000=

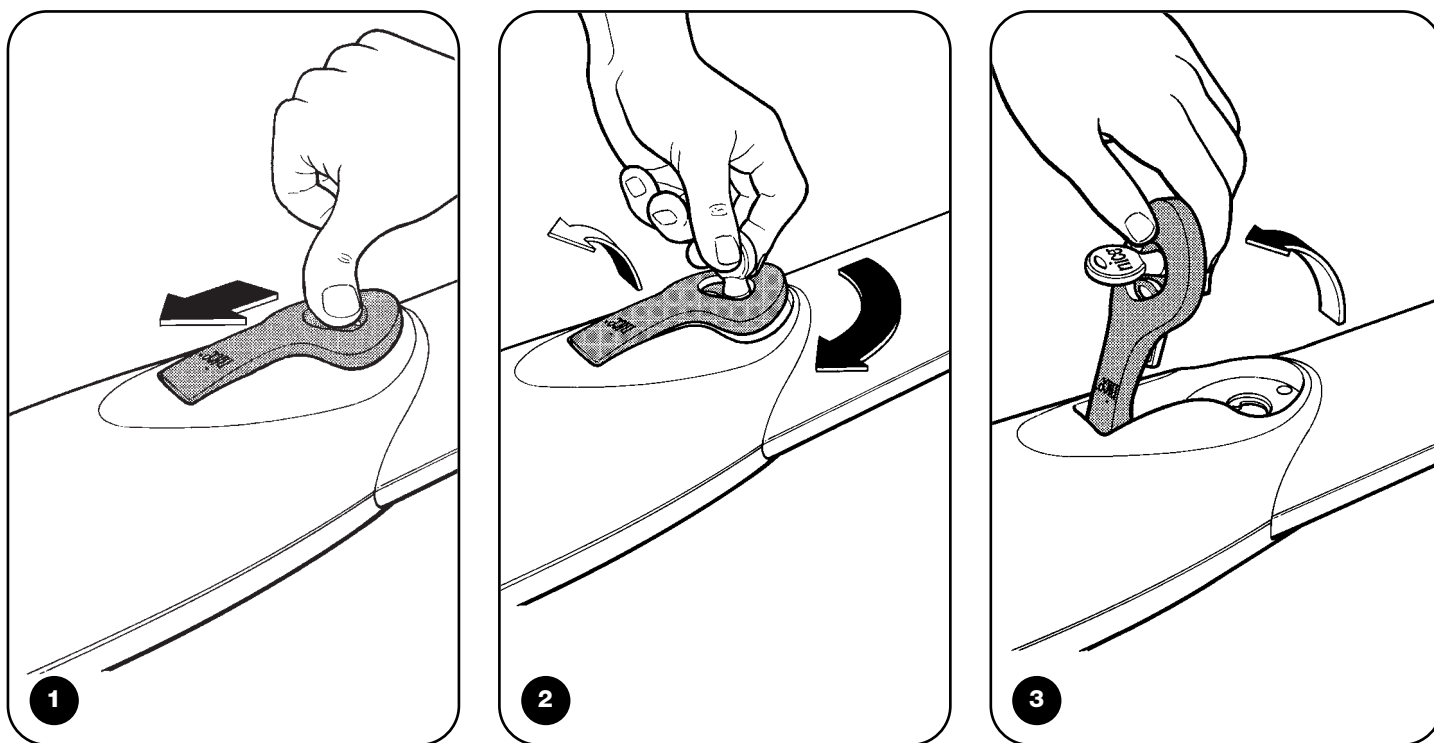


Nice

- **Niños:** una instalación de automatización garantiza un elevado grado de seguridad, impidiendo, con sus sistemas de detección, el movimiento ante la presencia de personas o cosas, así garantizando una activación siempre previsible y segura. De todas maneras, es prudente prohibir a los niños jugar cerca de la automatización y, para evitar activaciones involuntarias, no deje el control remoto al alcance de ellos: **¡no es un juguete!**
- **Irregularidades.** Ni bien note algún comportamiento irregular de la automatización, corte la alimentación eléctrica de la instalación y realice el desbloqueo manual. No intente repararla por su cuenta, sino que contacte a su instalador de confianza: Mientras tanto, la instalación puede funcionar como una puerta no automatizada cuando se desbloquea el motorreductor como descrito más adelante.
- **Mantenimiento.** Como toda maquinaria, su automatización requiere un mantenimiento periódico para que pueda funcionar por el mayor tiempo posible y con total seguridad. Estipule con su instalador un plan de mantenimiento periódico; Nice le aconseja realizar un mantenimiento cada 6 meses para un uso residencial normal, pero este período puede variar de acuerdo con la intensidad de uso. Cualquier trabajo de control, mantenimiento o reparación debe ser

llevado a cabo por personal cualificado.

- Aunque si Ud. considera que lo sabe hacer, no modifique la instalación ni los parámetros de programación y regulación de la automatización: la responsabilidad es de su instalador.
- El ensayo final, los trabajos de mantenimiento periódicos y las posibles reparaciones tienen que ser documentados por quien los efectúa y dichos documentos deben quedar en poder del dueño de la instalación.
- **Desguace.** Al final de la vida útil de la automatización, asegúrese de que el desguace sea efectuado por personal cualificado y que los materiales sean reciclados o eliminados de acuerdo con las normas locales vigentes.
- **En caso de roturas o falta de alimentación.** Mientras espera que llegue el instalador (o retorne la energía eléctrica, si la instalación no está equipada con baterías compensadoras), la instalación se puede accionar como una puerta no automatizada. A tal fin, es necesario realizar el desbloqueo manual; dicha operación, que es la única que puede ser efectuada por el usuario de la automatización, ha sido estudiada profundamente por Nice para asegurarle siempre un uso fácil, sin necesidad de herramientas o esfuerzos físicos.



1. Desplace la membrana de protección como muestra la **fig. 1**
2. Introduzca la llave y gírela hacia la izquierda como muestra la **fig. 2**
3. Tire de la manilla acompañándola hacia el sentido de la flecha hasta el punto que muestra la **fig. 3**
4. Abra o cierre manualmente la puerta hasta el fin de carrera
5. Para bloquear, siga los mismos pasos en el orden inverso

Importante: si su instalación está equipada con un radiomando que, transcurrido un cierto tiempo, le parece que no funcionara correctamente, o que directamente no funciona, podría ser que la pila esté agotada (pueden pasar desde varios meses hasta dos o tres años según el tipo de pila). Ud. podrá darse cuenta de que la batería está agotada porque la luz del indicador luminoso de confirmación de la transmisión es débil, no se enciende, o se enciende por poco tiempo. Antes de contactar al instalador, pruebe a cambiar la pila con la de otro transmisor que funcione; si el problema fuera este, sustituya la pila con otra del mismo tipo.

¿Está Ud. satisfecho? Si desea instalar en su casa un sistema de automatización nuevo, diríjase al instalador y a Nice: tendrá la garantía de recibir el asesoramiento de un especialista y los productos más modernos del mercado, el mejor funcionamiento y la máxima compatibilidad de las automatizaciones.

Le agradecemos por haber leído estas recomendaciones y esperamos que Ud. esté satisfecho de su nueva instalación: ante cualquier necesidad, diríjase a su instalador de confianza.

wingo

Spis:	pag.		pag.		
1	Opis produktu	42	3	Obsługa ręczna i wysprężenie	46
2	Instalowanie	42	4	Próby ostateczne	46
2.1	Kontrola wstępna	42	5	Czynności konserwacyjne	46
2.2	Zastosowanie	42	5.1	Złomowanie	46
2.3	Mocowanie	43	6	Dane techniczne	46
2.3.1	Ustawienie wspornika tylnego	43	6.1	Typy i parametry	46
2.3.2	Ustawienie wspornika przedniego	44		Instrukcje i uwagi dla użytkownika motoreduktora WINGO	47
2.3.3	Otwieranie bramy na zewnątrz	44			
2.4	Instalacja typowa	45			
2.5	Podłączenie motoreduktora	45			

PL

Ważne uwagi

Gratulujemy wyboru tego produktu i zapraszamy do bardzo uważnego przeczytania tej instrukcji.

Aby ułatwić zrozumienie niniejszych instrukcji, zostały one, w miarę możliwości, podzielone i ustawione według kolejności instalowania całego urządzenia.

Przed przystąpieniem do czynności instalowania, należy uważnie przeczytać instrukcje oraz dołączone: "Uwagi dla instalatora", ponieważ dostarczają ważnych wskazówek związanych z bezpieczeństwem, instalowaniem, użytkowaniem i czynnościami konserwacyjnymi.

Wszystko to, co nie jest przewidziane w poniższych instrukcjach jest niedozwolone.

Szczególnie użytkowanie niezgodne z poniższymi instrukcjami może stać się przyczyną poważnego uszkodzenia produktu i stworzyć sytuacje niebezpieczne dla ludzi i otoczenia.

Nice nie bierze na siebie odpowiedzialności za niewłaściwy montaż i nieprawidłowości w wykonaniu bram skrzydłowych oraz za deformacje, które mogłyby powstać podczas użytkowania.

Nie instalować produktu w pomieszczeniach zagrożonych wybuchem.

1) Opis produktu

WINGO jest motoreduktorem elektromechanicznym do automatyzacji bram jedno- lub dwuskrzydłowych do użytku indywidualnego.

Mając na uwadze bezbłędne działanie motoreduktora zaleca się zastosowanie centrali A400 Firmy Nice.

Wysprzęglenie służy do ręcznego otwarcia bramy.

2) Instalowanie

2.1) Kontrola wstępna

Przed przystąpieniem do wykonywania jakiegokolwiek czynności należy sprawdzić, czy konstrukcja bramy jest odpowiednia, to znaczy odpowiada aktualnym normom a w szczególności:

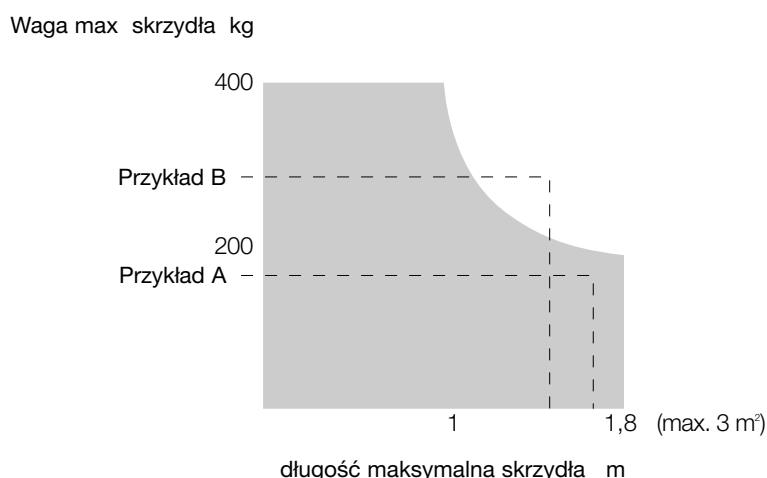
- czy brama nie ma nadmiernego tarcia podczas otwierania i zamykania;
- czy brama jest dobrze wyważona, to znaczy, gdy zostanie zatrzymana w jakiegokolwiek pozycji nie poruszy się;
- czy ruch bramy jest cichy i regularny;
- czy miejsce przeznaczone do zainstalowania motoreduktora jest odpowiednie na wykonanie ruchu odblokowania w sposób łatwy i bezpieczny;
- opakowanie powinno być w stanie nienaruszonym, według **rys.1**;
- według **rys.2** sprawdzić, czy miejsce przeznaczone na instalowanie jest odpowiednie do wymiarów motoreduktora. Mając na uwadze, że otwarcie bramy i siła, którą silnik przekazuje na jej otwarcie zależy od punktu przymocowania wspornika tylniego, przed przejściem do instalowania, należy przeczytać paragraf 2.3 „Mocowanie”, tak, aby sprawdzić czy

brama ma kąt otwarcia i siłę wystarczającą na zaspokojenie wymagań użytkownika.

⚠Przypominamy, że WINGO napędzając bramę (jedno lub dwu skrzydłową), jest pewny i wydajny ale nie eliminuje wady błędnego zainstalowania lub źle wykonywanych czynności konserwacyjnych.

2.2) Zastosowanie

Forma, wysokość bramy (np. „wypełniona,”) i warunki klimatyczne (np. silny wiatr) mogą zmniejszyć, nawet znacznie, wartości zamieszczone na wykresie obok.





Przykład bramy:

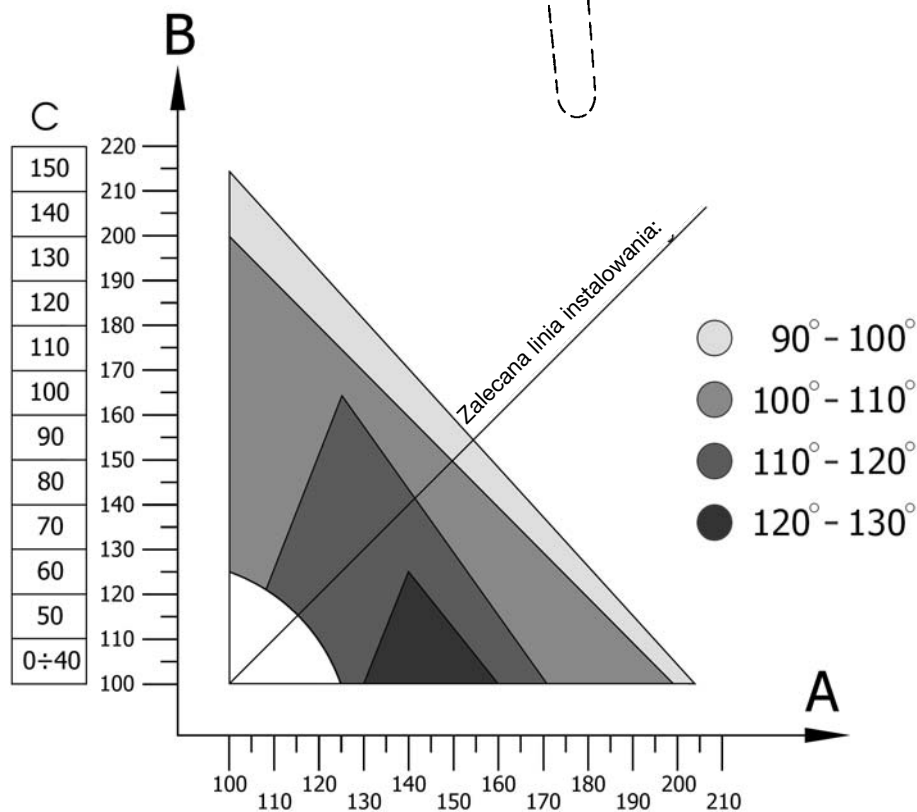
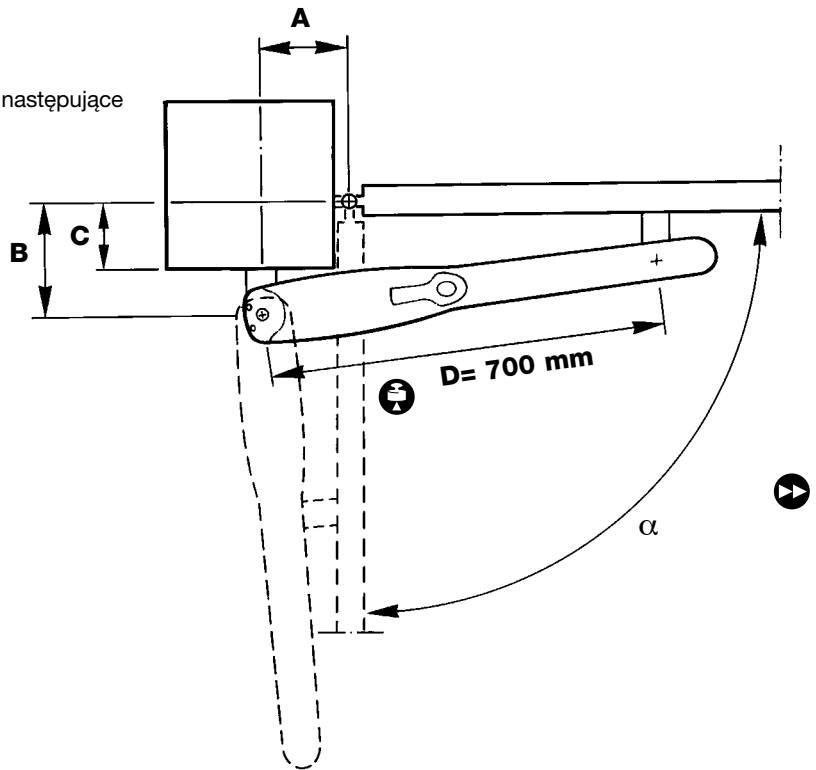
A) 180kg i 1,7m - **TAK**

B) 300kg i 1,5m - **NIE**

2.3) Mocowanie

Aby wykonać prawidłowy montaż należy sprawdzić następujące punkty:

- 1) Wymiar słupka **C**
- 2) Kąt otwarcia α
- 3) Prędkość. 
- 4) Siła. 



2.3.1) Ustawienie wspornika tylnego

W tym celu należy wykonać następujące czynności:

- 1.1** Zmierzyć na słupku bramy, wartość C (na przykładzie: 70mm).
- 1.2** Odszukać na wykresie wartość C i wykonać linię poziomą (**rys.8**).
- 1.3** Na podstawie wykresu i narysowanej linii określić wartość "B minimum" (na przykładzie: 130mm **rys.9**), powierzchnia nad tą linią zawiera punkty właściwe gdzie zainstalować wspornik.
- 2** Istnieje zależność między kątem ruchu, który może wykonać brama i pozycją wspornika (A i B) według odpowiedniego wskazania na wykresie - kółka o różnym stopniu zaciemnienia i odpowiadające im kąty otwarcia. Powierzchnie w różnych

kolorach przedstawiają maksymalnie dozwolone kąty.

Gdy, na przykład (**rys.9**), chcemy otworzyć bramę na $100^\circ \div 110^\circ$, to A i B mają określić punkt na wykresie, który przynależy do odpowiedniego koloru powierzchni.

- 3** Tak dobierając wymiary należy pamiętać, że siła skierowana na bramę podczas otwierania i zamykania oraz czas otwierania i zamykania, są proporcjonalne do wartości A i B. **Wartości te, dla płynnej pracy powinny być zbliżone do siebie**, dlatego też należy kierować się zalecaną linią instalowania.

2.3.2) Ustawianie wspornika przedniego

Przy zachowaniu wartości **D** (patrz wartość podana w rozdziale 2.3 Mocowanie), wspornik przedni (21) musi być umocowany do bramy w odpowiednim miejscu.

Przed przejściem do wykonania ostatecznego mocowania należy:

1. Sprawdzić czy motoreduktor na zamkniętym skrzydle jest dokładnie w poziomie (**rys.4**).
2. Otworzyć i zamknąć bramę ręcznie aby sprawdzić czy ruch jest płynny.
3. Zdiąć motoreduktor i przyspawać wspornik przedni (21).

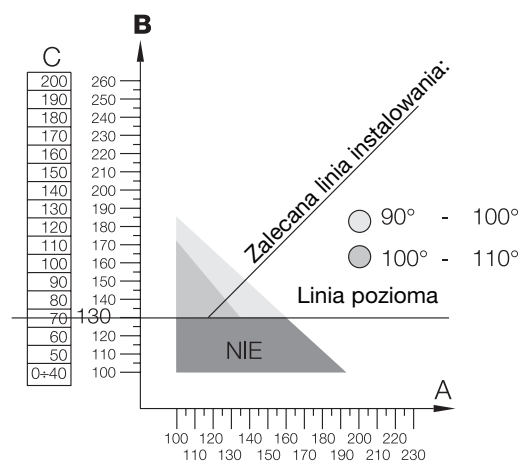
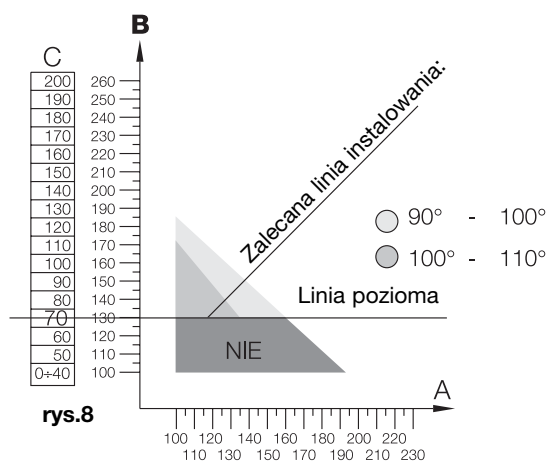
Mocowanie tylne motoreduktora (rys.5)

Śrubą (22) z podkładką (48) i nakrętką (55) przymocować WINGO do wspornika (51); dokręcić nakrętkę do oporu, następnie odkręcić ją na około 1/10 obrotu w celu stworzenia pewnego luzu pomiędzy częściami.

Mocowanie przednie motoreduktora (rys.6)

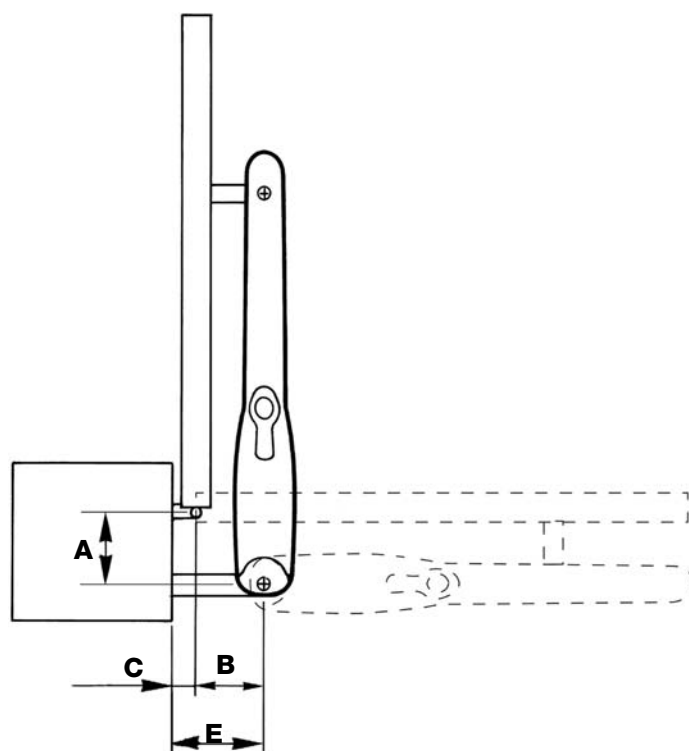
Założyć widełki WINGO przednie (18) do wspornika przedniego (21) blokując śrubą (47) i podkładką (54).

Przykład

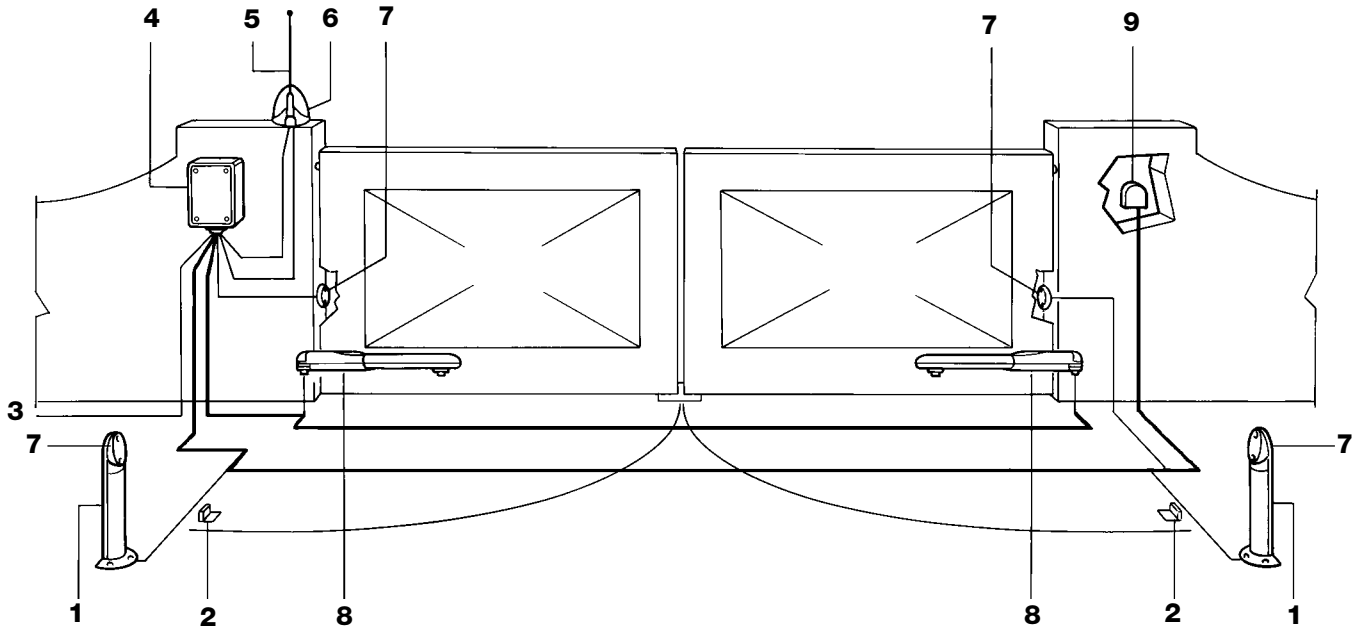


2.3.3) Otwieranie bramy na zewnątrz

Przy wartości **E**, większej niż 140 mm, należy wydłużyć wspornik.



2.4) Instalacja typowa

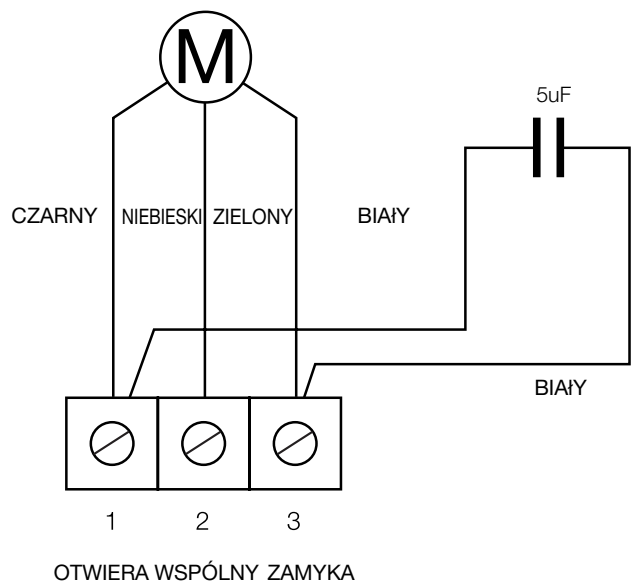
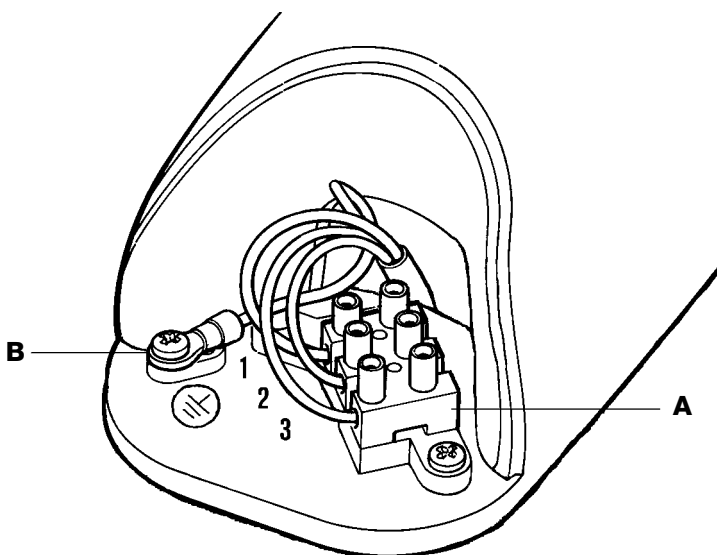


- 1 Kolumna na fotokomórki.
- 2 Blokady przy otwieraniu.
- 3 Linia elektryczna zasilania.
- 4 Centrala sterownicza A400.
- 5 Antena.
- 6 Lampa sygnalizacyjna.
- 7 Fotokomórka.
- 8 Siłownik WINGO.
- 9 Selektor kluczowy lub klawiatura numeryczna.

PL

2.5) Podłączenie motoreduktora

Zgodnie z numeracją zacisków wykonać połączenia do tabliczki zaciskowej (A) według schematu elektrycznego.



⚠ Przymiada się o podłączeniu uziemienia (B) jak przewidziano w aktualnych normach (EN 60204 - CEI 64-1, EN 60335)

3) Obsługa ręczna i wysprężlenie

Ruch bramy należy wykonywać ręcznie (**rys.3**) w przypadku braku prądu lub w przypadku zauważenia nieprawidłowości w urządzeniu.

Ruch ręczny umożliwi pokonanie oporu przekładni motoreduktora tylko wtedy, gdy jest właściwie zamontowany i z oryginalnymi częściami.

4) Próby ostateczne

Próby ostateczne całego urządzenia mogą być wykonane tylko przez doświadczony i wykwalifikowany personel, który będzie w stanie wykonać je dla wymaganego poziomu bezpieczeństwa. Próby ostateczne WINGO należy wykonać według poniższej procedury:

- zamknąć bramę;
- odciąć napięcie od centrali;
- odblokować motoreduktor;
- ręcznie otworzyć całkowicie bramę;
- sprawdzić czy brama podczas ruchu nie ma punktów tarcia;
- sprawdzić czy zatrzymana brama w jakimkolwiek punkcie nie porusza się;
- sprawdzić czy systemy bezpieczeństwa są sprawne;

- sprawdzić czy połączenia śrubowe są dokręcone do oporu;
- sprawdzić czy nakrętka i śruba pociągowa są dobrze nasmarowane;
- Sprawdzić czystość fotokomórek;
- po zakończeniu prób odblokować motoreduktor i podłączyć zasilanie do centrali;
- Wingo nie posiada urządzenia do regulacji momentu, dlatego też regulacja wykonywana jest w centrali sterowniczej;
- zmierzyć siłę uderzenia i sprawdzić, czy odpowiada normom EN12445 i EN12453.

5) Czynności konserwacyjne

Wingo nie wymaga specjalnych czynności konserwacyjnych podczas jego użytkowania. Okresowe czynności konserwacyjne, co najmniej co 6 miesięcy, gwarantują długie „życie„ motoreduktora oraz pewne i bezpieczne funkcjonowanie systemu.

Tylko personel wykwalifikowany może wykonywać powyższe czynności.

Czynności konserwacyjne polegają na powtórzeniu procedury prób ostatecznych.

5.1) Złomowanie

WINGO zbudowany jest z różnych rodzajów surowców, które muszą być zutylizowane we właściwy sposób.

Przy demontażu automatu nie istnieją szczególnie niebezpieczne sytuacje ani zagrożenia z nim związane.

Gdy istnieje możliwość złomowania sortowanych odpadów, należy zasięgnąć informacji o sposobach przerobu i złomowania dzieląc materiał według rodzaju (części elektryczne, aluminium, plastiki, itp.).

6) Dane techniczne

6.1) Typy i parametry

		WG4000	WG4000/V1
Zasilanie	(Vac/Hz)	230/50	110/60
Prąd absorbowany	(A)	0,5	1
Moc absorbowana	(W)		120
Kondensator	(uF)	5	10
Stan zabezpieczenia	(IP)		44
Prędkość	(m/s)	0,016	0,020
Skok	(mm)		320
Siła max.	(N)		1500
Zakres temperatur pracy	(°C Min/Max)		-20 ÷ +50
Zabezpieczenie termiczne	(°C)		140
Intensywność pracy	(%)		30
Waga	(kg)		5



wingo^{PL}

Instrukcje i ostrzeżenia przeznaczone dla użytkownika motoreduktorów WINGO

Gratulujemy wyboru do Waszej automatyki produktu Nice!

Nice S.p.A. produkuje elementy do automatyzacji bram, drzwi, rolet, zasłon przeciwsłonecznych: motoreduktory, centrale sterowania, sterowania radiowe, lampy sygnalizacyjne, fotokomórki oraz osprzęt. Nice wykorzystuje materiały i obróbkę wysokiej jakości, i stale poszukuje i stosuje rozwiązania innowacyjne, które do maximum upraszczają korzystanie z urządzeń, przoduje w rozwiązaniach technicznych, estetycznych, ergonomicznych: w całej gamie Nice. Wasz instalator z pewnością dokona wyboru produktu najbardziej odpowiadającego Waszym wymaganiom.

Nice jednakże nie jest producentem Waszej bramy, która jest natomiast wynikiem analizy, oceny, wyboru materiałów i wykonania urządzenia przez realizatora waszej inwestycji.

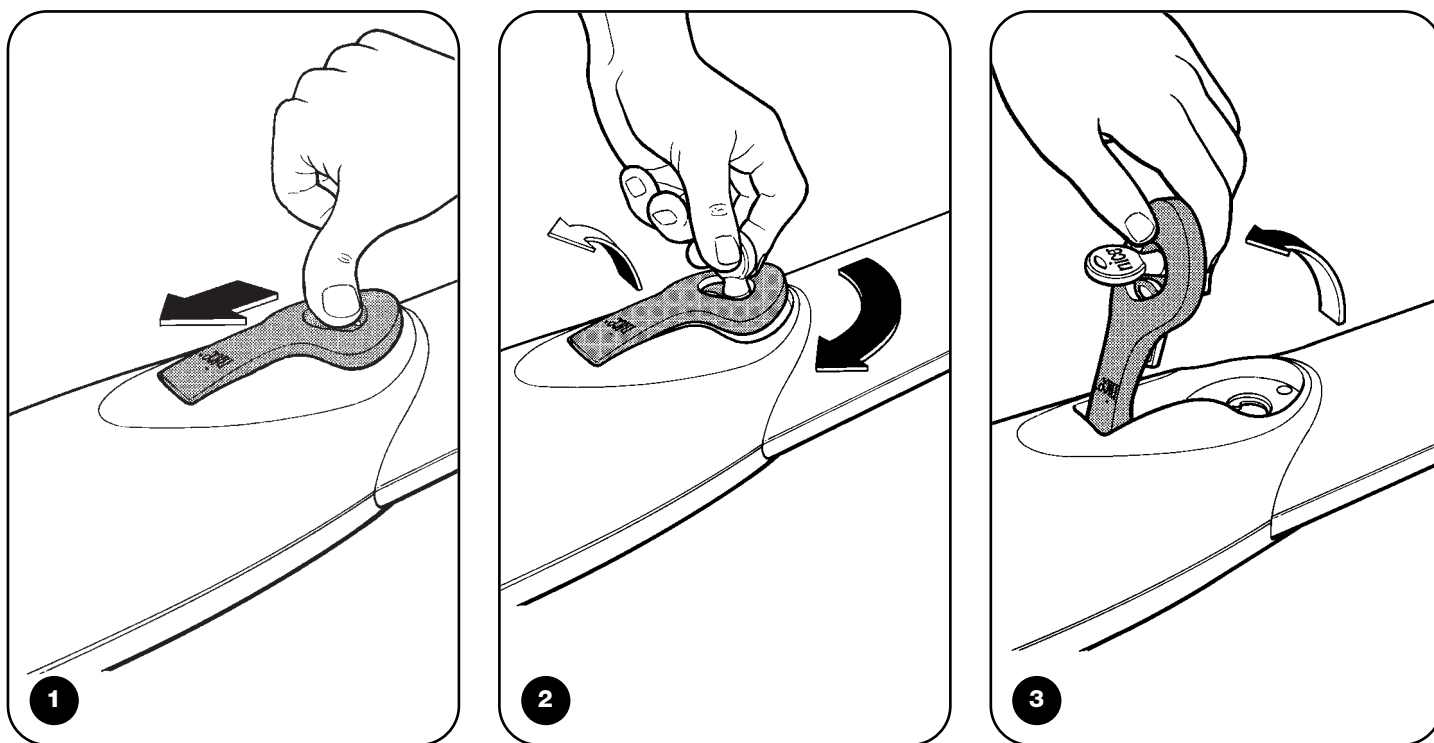
Każdy system automatyki jest inny i tylko Wasz instalator posiada doświadczenie i konieczny profesjonalizm do wykonania urządzenia zgodnie z Waszymi wymaganiami, pewnie i niezawodnie zarazem, a przede wszystkim zgodnie ze sztuką odpowiadającą obowiązującym normom.

System automatyki, poza ważnym systemem bezpieczeństwa, jest doskonałą wygodą, i dzięki swym prostym i pewnym rozwiązaniom jest przeznaczony do wieloletniej eksploatacji.

Nawet, gdy system automatyki, którego jesteście posiadaczami prezentuje poziom bezpieczeństwa wymagany normami, nie wyklucza to jednak istnienia "cienia ryzyka", tzn. możliwości powstania niebezpiecznych sytuacji, zazwyczaj wynikających z lekkomyślnego lub wręcz błędnego użytkownika. Z tego też powodu pragniemy udzielić Wam niektórych rad, jak należy postępować, by uniknąć jakichkolwiek błędów:

- **Przed pierwszym użyciem automatyki** należy skorzystać z poleceń instalatora związanych z istniejącym niebezpieczeństwem i poświęcić kilka minut na lekturę, dostarczonej przez instalatora **instrukcji obsługi i ostrzeżenia podczas użytkowania**. Zachowajcie instrukcję na włąpności w przyszłości, oraz przekażcie ją ewentualnemu przyszłemu właścicielowi automatyki.
- Wasz motoreduktor jest urządzeniem, które dokładnie wykona wasze polecenia; użycie lekkomyślne lub niewłaściwe może stać się niebezpieczne: nie uruchamiajcie urządzenia, jeśli w zasięgu działania znajdują się osoby, zwierzęta lub jakieś przedmioty.

- **Dzieci:** urządzenie automatyki gwarantuje wysoki stopień bezpieczeństwa, zawiera on systemy, które nie pozwalają na uruchomienie w przypadku zagrożenia osób lub rzeczy. W każdym razie roztropnie jest zabronić dzieciom bawić w pobliżu urządzenia, oraz by uniknąć przypadkowego uruchomienia nie zostawiać pilota w ich zasięgu: **to nie jest zabawka!**
- **Anomalie.** Jak tylko zauważycie jakiegokolwiek nieprawidłowe działanie automatyki, odłączcie zasilanie elektryczne urządzenia i odblokujcie mechanizm ręczny. Nie próbujcie sami napraw, ale żądajcie interwencji Waszego zaufanego instalatora: w między czasie brama może działać w trybie obsługi ręcznym, z odblokowanym motoreduktorem, jak opisano powyżej.
- **Czynności konserwacyjne.** Jak każde urządzenie, Wasza automatyka, by jak najdłużej i całkowicie bezpiecznie mogła funkcjonować, wymaga okresowych czynności konserwacyjnych. Uzgodnijcie z Waszym instalatorem okresowy program tych czynności: Nice doradza, przy normalnym, domowym użytkowaniu, wykonanie kontroli co 6 miesięcy, okres ten może być inny w zależności od intensywności użycia. Jakakolwiek interwencja kontrolna, serwisowa czy naprawcza musi być przeprowadzona przez personel kwalifikowany.
- Także w przypadku, gdy uważacie, że znacie się na tym, nie modyfikujcie urządzenia i parametrów programowania oraz regulacji automatyzacji: odpowiedzialność spoczywa na Waszym instalatorze.
- Końcowa kolaudacja, serwisy okresowe i ewentualne naprawy muszą być udokumentowane przez wykonującego, a dokumenty przechowywane u właściciela urządzenia.
- Złomowanie. Po całkowitym zużyciu się automatyki, złomowanie ma być wykonane przez osoby wykwalifikowane a materiały poddane recyklingowi lub złomowane zgodnie z aktualnie obowiązującymi normami lokalnymi.
- **W przypadku popsucia lub braku zasilania.** Czekając na interwencję Waszego instalatora (lub powrót dopływu energii elektrycznej, jeśli urządzenie nie jest wyposażone w baterie rezerwowe), urządzenie może działać, jak każde inne, otwierające się w sposób nie automatyczny. By to zrobić, należy wykonać odblokowanie ręczne: ta czynność jest jedyną, która może być wykonana przez użytkownika automatyzacji. Ta funkcja jest szczególnie dopracowana przez Nice tak, aby zagwarantować Wam zawsze najłatwiejsze użytkowanie automatyki, bez wykorzystywania jakichkolwiek narzędzi czy wysiłku fizycznego.



1. Przesunąć ochronną zasłonkę, jak na **rys. 1**
2. Włożyć klucz i przekręcić go w kierunku zgodnym z ruchem wskazówek zegara, jak na **rys. 2**
3. Podnieść dźwignię w kierunku strzałki do pozycji, jak na **rys. 3**
4. Ręcznie przesunąć skrzydło, doprowadzając je do punktu maksymalnego otwarcia lub zamknięcia
5. Celem zablokowania działać w odwrotnym kierunku

Ważne: Jeśli wasze urządzenie jest wyposażone w sterowanie radiowe, które po jakimś czasie wydaje Wam się, że działa gorzej lub nie działa zupełnie, może to zależeć od zwyczajnego wyczerpania się baterii (w zależności od typu, może ona wyczerpać się po kilku miesiącach jak i po dwóch/trzech latach). Możecie to stwierdzić faktem, że światelko potwierdzające transmisję jest słabe, nie zapala się wcale, lub zapala się tylko na krótko. Przed udaniem się do instalatora, spróbujcie wymienić baterię na tę z drugiego pilota ewentualnie działającego: gdy będzie to powodem anomalii, wystarczającym będzie wymienić baterię na inną, tego samego typu.

Jesteście zadowoleni? W przypadku, gdybyście chcieli w Waszym domu zastosować dodatkowo nowe urządzenie automatyki, udajcie się do tego samego instalatora a Nice zagwarantuje Wam, wraz z konsultacją specjalisty, produkty najbardziej innowacyjne spośród oferty dostępnej na rynku, pod względem funkcjonowania i z maksymalną możliwością zintegrowania systemu.

Dziękujemy Wam za przeczytanie tych zaleceń oraz życzymy Wam największego zadowolenia z Waszego nowego urządzenia: w przypadku kolejnych zakupów, teraz lub w przyszłości udajcie się z zaufaniem do Waszego instalatora.

Dichiarazione CE di conformità / EC declaration of conformity

(secondo Direttiva 98/37/CE, Allegato II, parte B) (according to 98/37/EC Directive, Enclosure II, part B)

Numero / Number: 143/WG

Data / Date: 01/2001

Revisione / Revision: 0

Il sottoscritto Lauro Buoro, Amministratore Delegato, dichiara che il prodotto

The undersigned Lauro Buoro, General Manager of the following producer, declares that the product

Nome produttore / Producer name: NICE S.p.A.
Indirizzo / Address: Via Pezza Alta 13, 31046 Z.I. Rustignè - ODERZO - ITALY
Tipo / Type: Attuatore elettromeccanico "WINGO" per cancelli a battenti / Electromechanical gearmotor for swing gates
Modello / Model: WG4000, WG4000/V1
Accessori / Accessories: Nessun accessorio / No accessory

Risulta conforme a quanto previsto dalle seguenti direttive comunitarie / Appears to be in conformity with the following community (EEC) regulations

Riferimento n° Reference n°	Titolo Title
73/23/CEE, 93/68/CEE	DIRETTIVA BASSA TENSIONE e successiva modifica / Low Voltage Directive
89/336/CEE	DIRETTIVA COMPATIBILITA' ELETTRROMAGNETICA (EMC) / EMC Electromagnetic Compatibility Directive
98/37/CE (EX 89/392/CEE)	DIRETTIVA MACCHINE / Machinery Directive

Risulta conforme a quanto previsto dalle seguenti Norme armonizzate / Appears to be in conformity with the following harmonized standards regulations

Riferimento n° Reference n°	Edizione Issue	Titolo Title	Livello di valutazione Estimate level	Classe Class
EN60335-1	04/1998	Sicurezza degli apparecchi elettrici d'uso domestico e similare. Norme generali Safety of household and electrical appliances. General requirements		
EN60204-1	09/1993	Sicurezza del macchinario - Equipagg. elettrico delle macchine - Parte 1: Reg. generali Safety of machinery - Electrical equipment of machines-Part 1: General requirements		
EN55022	09/1998	Apparecchi per la tecnologia dell'informazione Caratteristiche di radiodisturbo. Limiti e metodi di misura Information technology equipment - Radio disturbance characteristics Limits and methods of measurement		B

Risulta conforme a quanto previsto dalle altre norme e/o specifiche tecniche di prodotto / Appears to be in conformity with the other standards and/or product technical

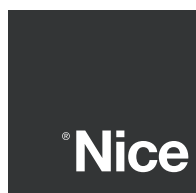
Riferimento n° Reference n°	Edizione Issue	Titolo Title	Livello di valutazione Estimate level	Classe Class
EN 12445	11/2000	Industrial, commercial and garage doors and gates Safety in use of power operated doors - Test methods		
EN 12453	11/2000	Industrial, commercial and garage doors and gates Safety in use of power operated doors - Requirements		

Inoltre dichiara che non è consentita la messa in servizio del prodotto suindicato finché la macchina, in cui il prodotto stesso è incorporato, non sia identificata e dichiarata conforme alla direttiva 98/37/CE / He declares, moreover, that it is not allowed to use the above mentioned product until the machine, in which this product is incorporated, has been identified and declared in conformity with the regulation 98/37/CE.

P.S.: Il prodotto suindicato si intende parte integrante di una delle configurazioni di installazione tipiche, come riportato nei nostri cataloghi generali / The above mentioned product is meant integral part of one of the installation configuration as shown on our general catalogues

Oderzo, 20 Dicembre 2000

Amministratore delegato
(General Manager)
Lauro Buoro



Nice SpA
Oderzo TV Italia
Tel. +39.0422.85.38.38
Fax +39.0422.85.35.85
info@niceforyou.com

Nice Padova
Sarmeola di Rubano PD Italia
Tel. +39.049.89.78.93.2
Fax +39.049.89.73.85.2
info.pd@niceforyou.com

Nice Roma
Roma Italia
Tel. +39.06.72.67.17.61
Fax +39.06.72.67.55.20
info.roma@niceforyou.com

Nice France
Buchelay
Tel. +33.(0)1.30.33.95.95
Fax +33.(0)1.30.33.95.96
info@nicefrance.fr

Nice Rhône-Alpes
Decines Charpieu France
Tel. +33.(0)4.78.26.56.53
Fax +33.(0)4.78.26.57.53
info.lyon@nicefrance.fr

Nice France Sud
Aubagne France
Tel. +33.(0)4.42.62.42.52
Fax +33.(0)4.42.62.42.50
info.marseille@nicefrance.fr

Nice Belgium
Leuven (Heverlee)
Tel. +32.(0)16.38.69.00
Fax +32.(0)16.38.69.01
info@nicebelgium.be

Nice España Madrid
Tel. +34.9.16.16.33.00
Fax +34.9.16.16.30.10

Nice España Barcelona
Tel. +34.9.35.88.34.32
Fax +34.9.35.88.42.49

Nice Polska
Pruszków
Tel. +48.22.728.33.22
Fax +48.22.728.25.10
info@nice.com.pl

Nice China
Shanghai
Tel. +86.21.525.706.34
Fax +86.21.621.929.88
info@niceforyou.com.cn

COMPANY
WITH QUALITY SYSTEM
CERTIFIED BY DNV
=ISO 9001/2000=

www.niceforyou.com

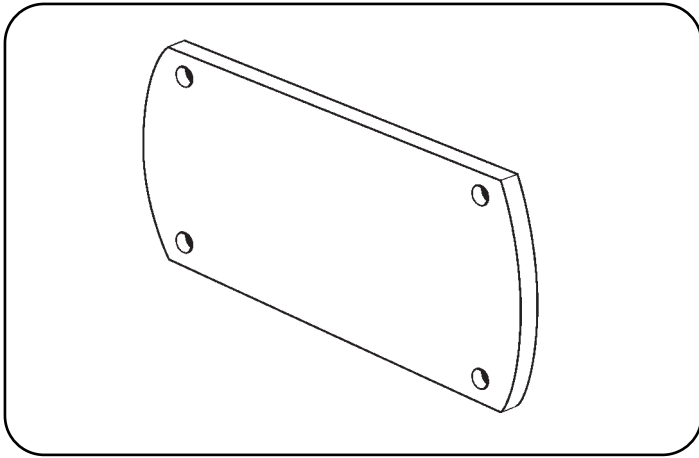
Nice Gate is the doors and gate automation division of Nice

Nice Screen is the rolling shutters and awnings automation division of Nice

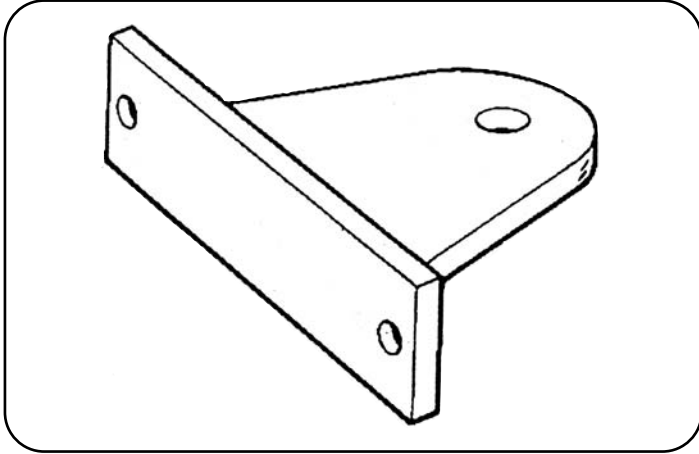
del 08/07/04

REV.03

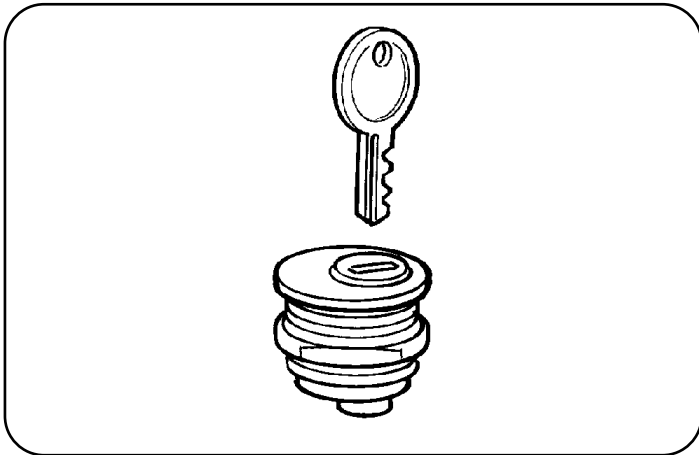
ISTWG 4865



PMDPA 4610

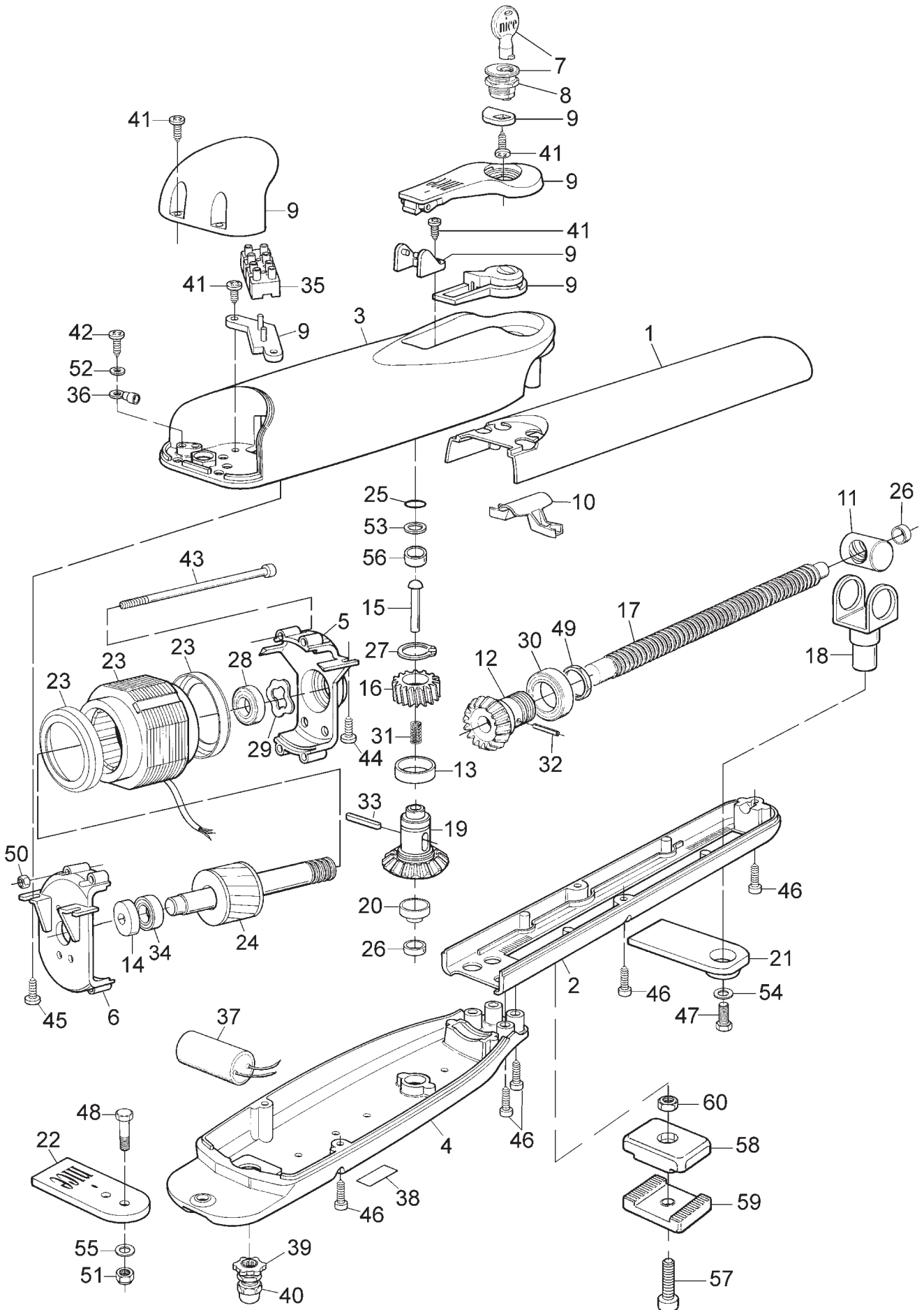


PLA 7

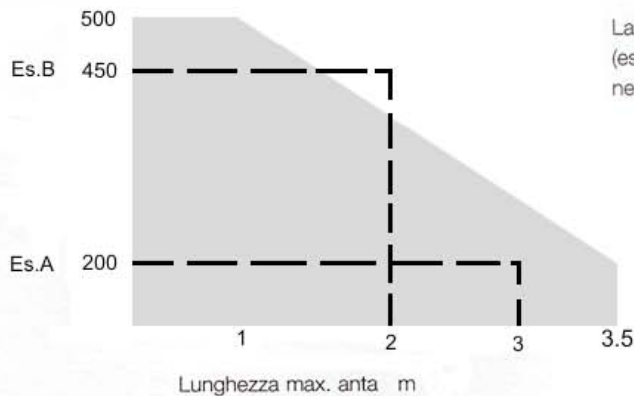


CM-B 1630

WINGO		
Rif.	Mod.	Art.
1	BMGWAA	34567
2	BMGWAB	34567
3	BMGWPA	34567
4	BMGWPB	34567
5	BMG0778	4567
6	BMG0779	4567
7	BPMW1	4540
8	CM-BG	1630
9	BPMW	14540
10	BPMW2	4540
11	PPD0316	4540
12	PMDIC21	4610
13	PPDCO7A	4540
14	PPD0572	4540
15	PMD0942	4610
16	PMDCO8	4610
17	PMDVR5	4610
18	PMPU1	8003
19	BMG0503	4567
20	PMD0740	4610
21	PMDSMA	4610
22	PMDSMP2	4610
23	PEDS451	4650
24	PECR45B	4670
25	GOR-E1	5501
26	PMCBR	4630
27	PMCSE24	4630
28	PMCU1	4630
29	PMCAC10	4630
30	PMCU3	4630
31	MO-B	2640
32	PMCS51	4630
33	PMC55C	4630
34	PMCU12	4630
35	M12V1	1850
36	MMCOI	2620
37	05U450	727
38	ETICHETTA	
39	MP0032	2601
40	MP0033	2601
41	V4.2X9	5101
42	V4X8	5105
43	V4X65	5102
44	V4.8X13	5101
45	V4.8X9.5-A	5101
46	V6.3X19	5101
47	V8X10	5102
48	V10X40	5101
59	D32	5102
50	D4-D	5110
51	D10	5110
52	R04E	5120
53	R08C	5120
54	R8	5120
55	R10	5120
56	PMCBR11	4630
57	V6X25	5102
58	PMD0528	4610
59	PMD0527	4610
60	D6	5110



Peso max. anta kg



2.2) Limiti d'impiego

La forma, l'altezza del cancello (es. cieco) e le condizioni climatiche (es. vento forte) possono ridurre anche notevolmente i valori riportati nel grafico a lato.

Esempio cancello:

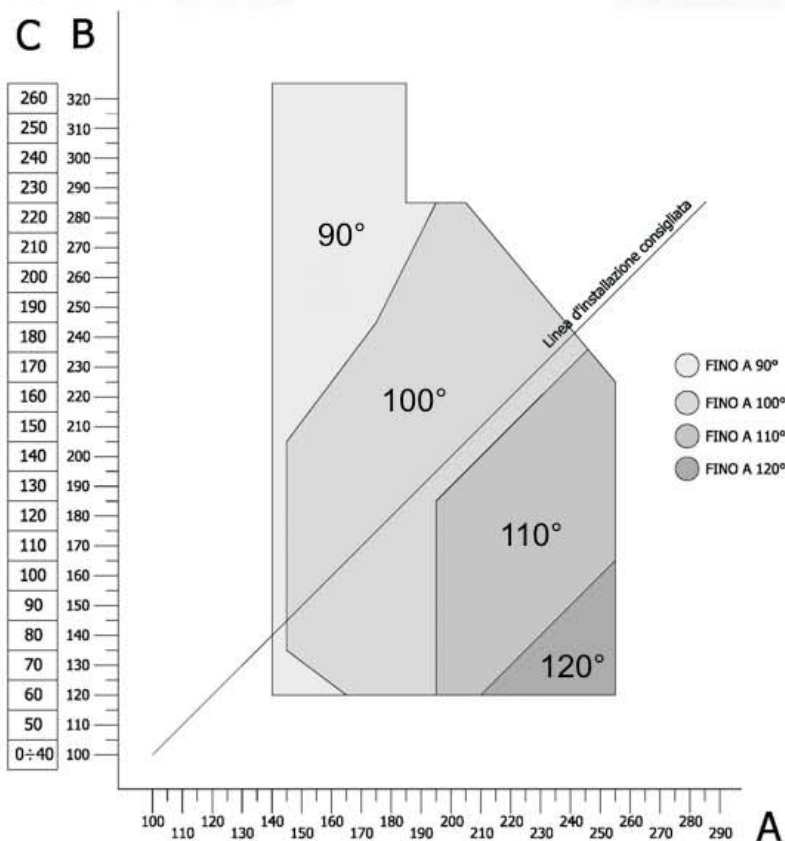
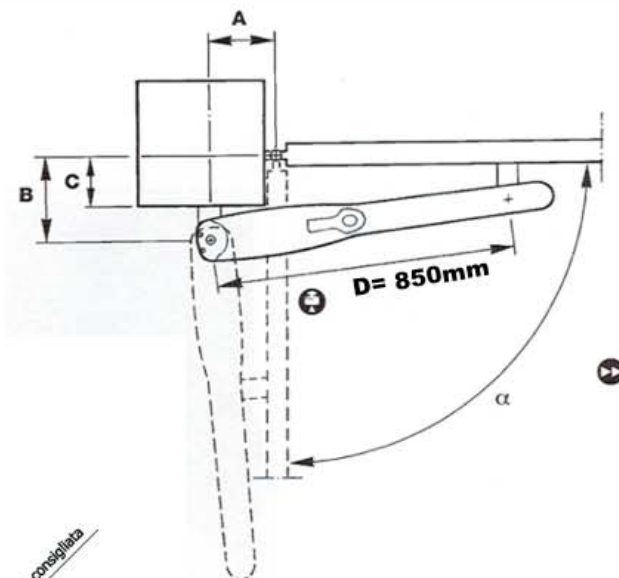
A) 200kg e 3m **OK**

B) 450kg e 2m **NO**

2.3) Fissaggio

Per il corretto montaggio sono da verificare i seguenti punti:

- 1) Ingombro colonna **C**
- 2) Angolo di manovra α
- 3) Velocità
- 4) Forza



- FINO A 90°
- FINO A 100°
- FINO A 110°
- FINO A 120°

PER CONSENTIRE UN MOVIMENTO CORRETTO POTREBBE RENDERSI NECESSARIO PROLUNGARE LA STAFFA POSTERIORE

6.1) Modelli e caratteristiche

		WG5000
Alimentazione	(Vac/Hz)	230/50
Corrente assorbita	(A)	0,5
Potenza assorbita	(W)	120
Condensatore incorporato	(uF)	5
Grado di protezione	(IP)	44
Velocità	(m/s)	0.013
Corsa	(mm)	470
Spinta max.	(N)	1700
Temp. di esercizio	(°C Min/Max)	-20 ÷ +50
Termoprotezione	(°C)	140
Cicli di lavoro	(%)	30
Peso	(kg)	6