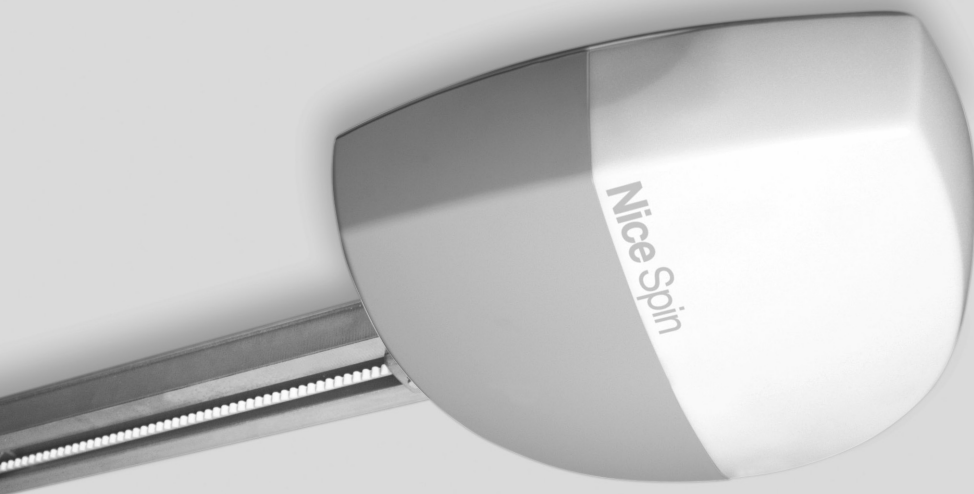


CE



For projecting  
and non-projecting  
up-and-over doors,  
and sectional doors



# Spin

**Instructions and warnings for the fitter**

**Istruzioni ed avvertenze per l'installatore**

**Instructions et recommandations pour l'installateur**

**Anweisungen und Hinweise für den Installateur**

**Instrucciones y advertencias para el instalador**

**Instrukcje i uwagi dla instalatora**

**Aanwijzingen en aanbevelingen voor de installateur**

COMPANY  
WITH QUALITY SYSTEM  
CERTIFIED BY DNV  
=ISO 9001/2000=

**Nice**

# Spin

## Table of contents:

## page

<b>1</b>	Warnings	3	<b>6</b>	Maintenance and Disposal	16
<b>2</b>	Product description	3	<b>6.1</b>	Maintenance	16
<b>2.1</b>	Operating limits	4	<b>6.2</b>	Disposal	16
<b>2.2</b>	Typical system	5	<b>7</b>	Additional information	17
<b>2.3</b>	List of cables	5	<b>7.1</b>	Programming buttons	17
<b>3</b>	Installation	6	<b>7.2</b>	Programming	17
<b>3.1</b>	Preliminary checks	6	<b>7.2.1</b>	Level one functions (ON-OFF functions).	17
<b>3.2</b>	Fitting SPIN	6	<b>7.2.2</b>	Level one programming (ON-OFF functions).	18
<b>3.2.1</b>	Assembly of guide supplied with SPIN20KCE, SPIN30 and SPIN40	7	<b>7.2.3</b>	Level two functions (adjustable parameters)	18
<b>3.2.2</b>	SNA5 guide assembly	7	<b>7.2.4</b>	Level two programming (adjustable parameters)	18
<b>3.2.3</b>	SNA6 guide assembly	7	<b>7.2.5</b>	Level one programming example (ON-OFF functions).	19
<b>3.2.4</b>	Fixing the gearmotor to the guide	8	<b>7.2.6</b>	Level two programming example (adjustable parameters)	19
<b>3.2.5</b>	Fixing the gearmotor to the ceiling	8	<b>7.3</b>	Adding or Removing Devices	19
<b>3.3</b>	Installation of the Various Devices	10	<b>7.3.1</b>	BlueBUS	19
<b>3.4</b>	Electrical connections	10	<b>7.3.2</b>	STOP Input	20
<b>3.5</b>	Description of the electrical connections	11	<b>7.3.3</b>	Photocells	20
<b>4</b>	Final checks and start up	11	<b>7.3.4</b>	Recognition of other devices	21
<b>4.1</b>	Power Supply Connection	11	<b>7.4</b>	Special functions	21
<b>4.2</b>	Recognition of the devices	12	<b>7.4.1</b>	“Always open” Function	21
<b>4.3</b>	Recognizing the door opening and closing positions	12	<b>7.4.2</b>	“Move anyway” Function	21
<b>4.4</b>	Checking door movements	12	<b>7.5</b>	Connection of other devices	21
<b>4.5</b>	Pre-set functions	13	<b>7.6</b>	Troubleshooting	22
<b>4.6</b>	Radio receiver	13	<b>7.7</b>	Diagnostics and Signals	22
<b>4.6.1</b>	Memorization of the Radio Transmitters	13	<b>7.7.1</b>	Signalling with flashing light and courtesy light	22
<b>4.6.2</b>	Memorization Mode I	14	<b>7.7.2</b>	Signals on the control unit	23
<b>4.6.3</b>	Memorization Mode II	14	<b>7.8</b>	Accessories	24
<b>4.6.4</b>	“Remote” memorization	14	<b>8</b>	Technical characteristics	25
<b>4.6.5</b>	Deleting the Radio Transmitters	15		Instructions and Warnings for users of SPIN gearmotor	27
<b>4.6.6</b>	Declaration of conformity of the radio receiver and transmitters	15			
<b>5</b>	Testing and commissioning	15			
<b>5.1</b>	Testing	15			
<b>5.2</b>	Commissioning	16			

# 1) Warnings

This manual contains important information regarding safety; before you start installing the components, it is important that you read all the information contained herein. Store this manual safely for future use.

In this manual when all data, warnings and other information related to all products are stated, the range name "SPIN" will be used. The description of individual products can be found in chapter "2 Product description".

Considering the hazards that may exist during the installation and operation of SPIN, installation must be carried out in strict compliance with current legislation, standards and regulations. This chapter provides details of general warnings. Other, more specific warnings are detailed in Chapters "3.1 Preliminary Checks" and "5 Testing and commissioning".

**⚠ According to the most recent European legislation, the production of automatic doors or gates is governed by the provisions listed in Directive 98/37/CE (Machine Directive) and, more specifically, to provisions: EN 12445; EN 12453 and EN 12635, which enable manufacturers to declare the presumed conformity of the product.**

Please access "www.niceforyou.com" for further information, and guidelines for risk analysis and how to draw up the Technical Documentation.

- This manual has been especially written for use by qualified fitters. Except for the enclosed specification "Instructions and Warnings for Users of the SPIN gearmotor" which is to be removed by the installer, none of the information provided in this manual can be considered as being of interest to end users!
- Any use or operation of SPIN which is not explicitly provided for in these instructions is not permitted. Improper use may cause damage and personal injury.

- Risk analysis must be carried out before starting installation, to include the list of essential safety requisites provided for in Enclosure I of the Machine Directive, indicating the relative solutions employed. N.B. Risk analysis is one of the documents included in the "Technical Documentation" for this automation.
- Check whether additional devices are needed to complete the automation with SPIN based on the specific application requirements and dangers present. The following risks must be considered: impact, crushing, shearing, dragging, etc. as well as other general dangers.
- Do not make modifications to any components unless such action is specified in this manual. Operations of this type are likely to lead to malfunctions. NICE disclaims any liability for damage resulting from modified products.
- During installation and use, ensure that solid objects or liquids do not penetrate inside the control unit or other open devices. If necessary, please contact the NICE customer service department; the use of SPIN in these conditions can be dangerous.
- The automation system must not be used until it has been commissioned as described in chapter 5: "Testing and commissioning".
- The packing materials of SPIN must be disposed of in compliance with local regulations.
- If a fault occurs that cannot be solved using the information provided in this manual, refer to the NICE customer service department.
- In the event that any automatic switches are tripped or fuses blown, you must identify the fault and eliminate it before resetting the switches or replacing fuses.
- Disconnect all the power supply circuits before accessing the terminals inside the SPIN cover. If the disconnection device is not identifiable, post the following sign on it: "WARNING: MAINTENANCE WORK IN PROGRESS".

# 2) Product description

SPIN is a range of gearmotors designed for the automation of sectional doors and, in combination with accessory SPA5 (supplied separately), protruding or non-protruding spring or counterweight overhead doors.

The electrical connections to external devices have been simplified through the use of "BlueBUS", a technique by which several devices can be connected up using just 2 wires.

SPIN operates with electric power. In the event of a power failure, the gearmotor can be released in order to move the door manually. Alternatively, for some versions, there is the PS124 buffer battery accessory which makes it possible to use the door also during the event of a power failure.

The products described in tables 1 and 2 belong to the SPIN range.

**Table No. 1: Description of the SPIN components**

Model:	Gearmotor	Guide	Radio receiver	Radio Transmitter
SPIN20KCE	SN6021	3x1m	SMXI	FLO2R-S
SPIN21KCE	SN6021	3m	SMXI	FLO2R-S
SPIN30	SN6031	3x1m	---	---
SPIN40	SN6041	3x1m	---	---
SN6031	SN6031	---	---	---
SN6041	SN6041	---	---	---

SN6031 must be completed with the guides SNA5 (3m) or SNA6 (3m + 1m).

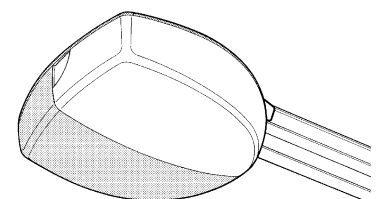
SN6041 must be completed with the guide SNA6 (3m + 1m).

SPIN30; SPIN40; SN6031 and SN6041 can be completed with radio receivers SMXI or SMXIS and relative radio transmitters

**Table No. 2: comparison of main features of SPIN gearmotors**

Gearmotor type	SN6021	SN6031	SN6041
Maximum torque (corresponding to the maximum force)	11.7 Nm (650N)	11.7 Nm (650N)	18 Nm (1000N)
Reduced consumptoin in Stand-By	No	Yes	Yes
Max. no. BlueBus units	2	6	6
Emergency power supply	No	with PS124	with PS124
Courtesy light (lamp fitting)	12V - 21W (BA15)	230V* - 60W (E27)	230V* - 60W (E27)

\* 120V for the SPIN/V1 versions



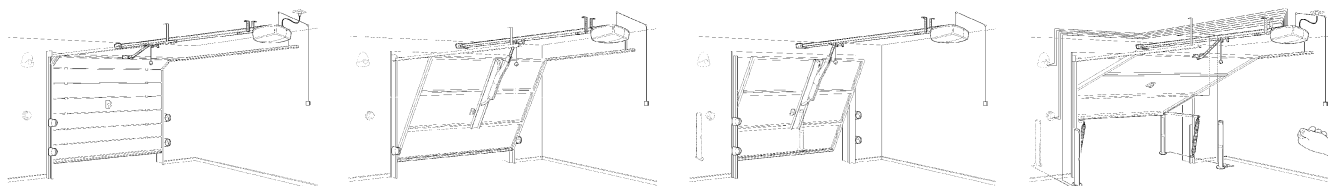
## 2.1) Operating limits

Chapter 8 "Technical Characteristics" provides the data needed to determine whether the products of the SPIN line are suitable for the intended application.

The structural characteristics of the SPIN products make it suitable for use on sectional and overhead doors within the limits shown in Tables 3, 4 and 5.

**Table No. 3: SPIN gearmotor operating limits**

Model:	SECTIONAL door		OVERHEAD door, non-protruding (with accessory SPA5)		OVERHEAD door, protruding (with accessory SPA5) or with springs (without SPA5)	
	Height	Width	Height	Width	Height	Width
SPIN20KCE	2.4m	4.4m	2.2m	4.2m	2.8m	4.2m
SPIN21KCE	2.4m	4.4m	2.2m	4.2m	2.8m	4.2m
SPIN30	2.4m	4.4m	2.2m	4.2m	2.8m	4.2m
SPIN40	2.4m	5.2m	2.2m	4.2m	2.8m	4.2m
SN6031 (SNA5)	2.4m	4.4m	2.2m	4.2m	2.8m	4.2m
SN6031 (SNA6)	3.4m	3.1m	3.2m	2.9m	3.5m	3.4m
SN6041 (SNA6)	3.4m	5.2m	3.2m	4.2m	3.5m	4.2m



The measurements in table N° 3 are guideline only and can be used as a general estimate only. The effective suitability of SPIN for automating a specific door depends on the degree of door leaf balancing, guide friction and other aspects, including occasional phenomena such as wind pressure or the presence of ice, which could obstruct leaf movement.

To establish effective conditions, the force required to move the leaf throughout its stroke must be measured, to ensure that this value does not exceed the "rated torque" specified in chapter "8 Technical specifications"; also, to calculate the number of cycles/hour and consecutive cycles, the data in tables 4 and 5 must be taken into account.

**Table 4: limits related to leaf height**

Leaf height	Max. no. of cycles/hour	Max. no. of consecutive cycles
Max. 2	20	10
2÷2,5	15	7
2,5÷3	12	5
3÷3,5	10	4

**Table N°5: limits in relation to force required to move door leaf**

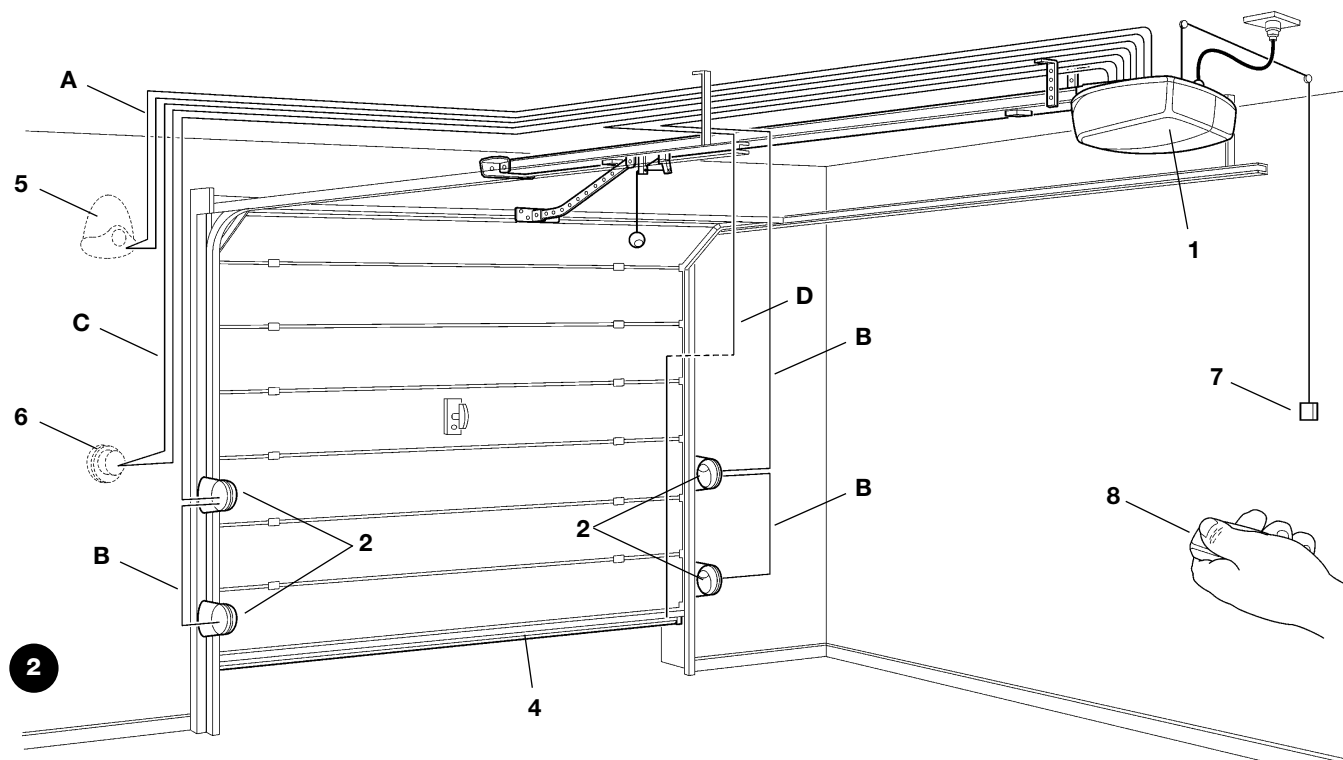
Force required to move leaf N	Cycle reduction percentage	
	SN6021 - SN6031	SN6041
Max. 250	100%	100%
250÷400	70%	90%
400÷500	25%	70%
500÷650	---	40%
650÷850	---	25%

The height of the door enables a calculation of the maximum number of cycles per hour and consecutive cycles, while the force required to move the door enables a calculation of the percentage of cycle reduction; for example, if the leaf height is 2.2 m this would enable 15 cycles per hour and 7 consecutive cycles, but if a force of 300N is required, using a SN6021 gearmotor, these would have to be reduced to 70%, resulting therefore in 10 cycles per hour and around 5 consecutive cycles. To avoid overheating, the control unit has a limiter that is based on the motor operation and duration of cycles, and trips when the maximum limit is exceeded.

**N.B.** 1Kg = 9.81N, meaning that 500N, for example, is equivalent to 51Kg.

## 2.2) Typical system

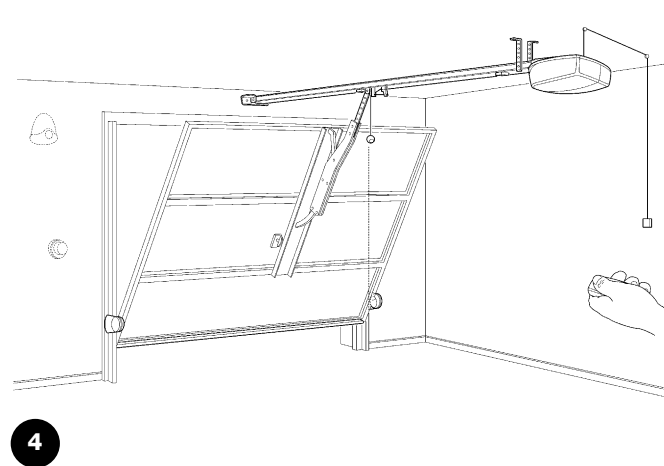
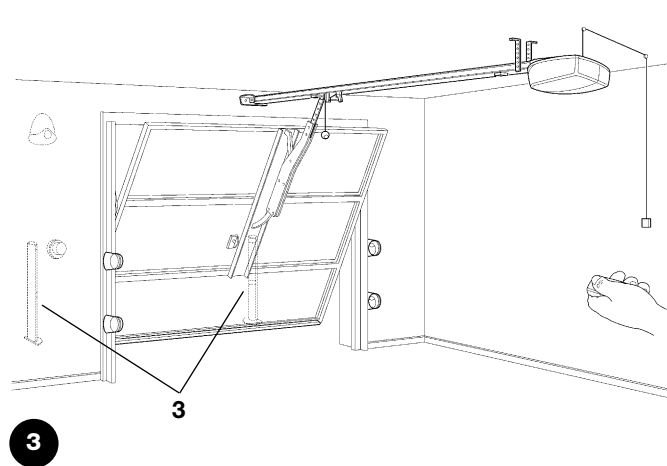
Figure 2 shows a typical system for automating a sectional door.



- 1 SPIN
- 2 Photocells
- 3 Photocells on post (fig. 3)
- 4 Main edge
- 5 Flashing light with incorporated aerial
- 6 Key-operated selector switch
- 7 PP function cord
- 8 Radio-transmitter

Figures 3 and 4 show typical installations of a protruding and non-protruding overhead door

**⚠ For installations on overhead doors, the accessory SPA5 is required.**



## 2.3) List of cables

Figure 2 shows the cables needed for the connection of the devices in a typical installation; Table 6 shows the cable characteristics.

**⚠ The cables used must be suitable for the type of installation. For example, an H03VV-F type cable is recommended for indoor applications**

**Table N°6: list of cables**

Connection	Cable type	Maximum length allowed
A: Flashing light with aerial	1 2x0,5mm <sup>2</sup> cable 1 RG58 type shielded cable	20m 20m (recommended less than 5m)
B: Photocells	1 cable 2x0,5mm <sup>2</sup>	30m
C: Key-operated selector switch	2 2x0,5mm <sup>2</sup> cables (noea 1)	50m
D: Primary sensitive edge	1 2x0,5mm <sup>2</sup> cable (note 2-3)	30m

**Note 1:** A single 4x0.5mm<sup>2</sup> cable can be used instead of two 2x0.5mm<sup>2</sup> cables.

**Note 2:** Please refer to Chapter "7.3.2 STOP Input" in situations where there is more than one edge, for information about the type of connection

**Note 3:** Special devices which enable connection even when the leaf is moving must be used to connect edges to the door.

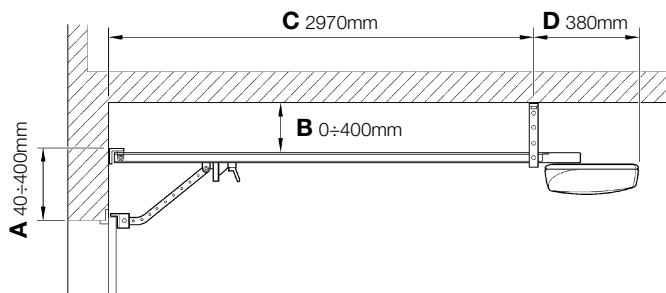
### 3) Installation

**⚠ The installation of SPIN must be carried out by qualified personnel in compliance with current legislation, standards and regulations, and the directions provided in this manual.**

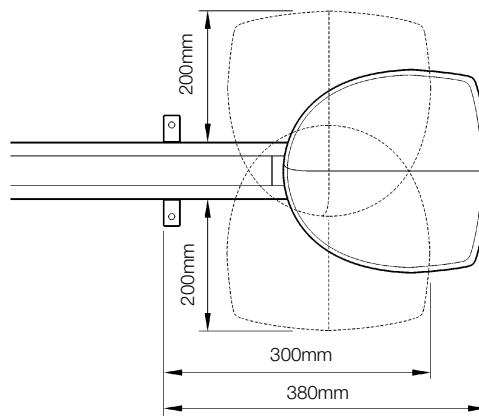
#### 3.1) Preliminary checks

Before proceeding with the installation of SPIN you must:

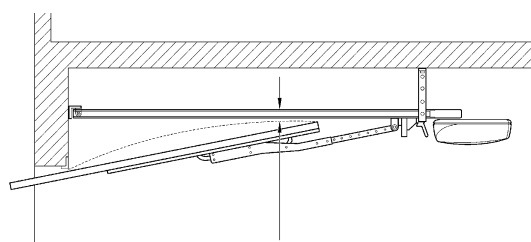
- Check that all the materials are in excellent condition, suitable for use and that they conform to the standards currently in force.
- Make sure that the structure of the door is suitable for automation.
- Make sure that the force and dimensions of the door fall within the specified operating limits provided in chapter "2.1 Operating limits".
- Check that the static friction (that is, the force required to start the movement of the leaf) is less than half the "maximum torque", and that the dynamic friction (that is, the force required to keep the leaf in movement) is less than half the "nominal torque". Compare the resulting values with those specified in Chapter "8 Technical Characteristics". The manufacturers recommend a 50% margin on the force, as unfavourable climatic conditions may cause an increase in the friction.
- Make sure that there are no points of greater friction in the opening or closing travel of the door leaves.
- Make sure that the mechanical stops are sturdy enough, and there is no danger of the door derailing.
- Check that the door is well balanced, i.e. does not move if left in any position.
- Make sure that the mounting positions of the various devices (photocells, buttons, etc.) are protected from impacts and that the mounting surfaces are sufficiently sturdy.
- Check and ensure minimum and maximum clearances as shown in figures 5 and 6
- Never immerse components in water or other liquids
- Keep SPIN components away from sources of heat and open flames; situations such as these could damage SPIN and cause either malfunctions, fires or dangerous situations.
- If the door includes an access door, make sure that it does not obstruct normal travel. Mount a suitable interlock system if necessary.
- If the door to be automated is an overhead version, check value E shown in figure 7, i.e. the minimum distance between the upper side of the guide and the maximum point reached by the upper edge of the door. If the value does not correspond, SPIN cannot be fitted.
- Connect the SPIN power plug to a suitably earthed mains socket.
- The electrical socket must be protected by means of an adequate thermal magnetic cut-out device.



5



6



7

#### 3.2) Fitting SPIN

Fixture of the SPIN gearmotor comprises 3 stages:

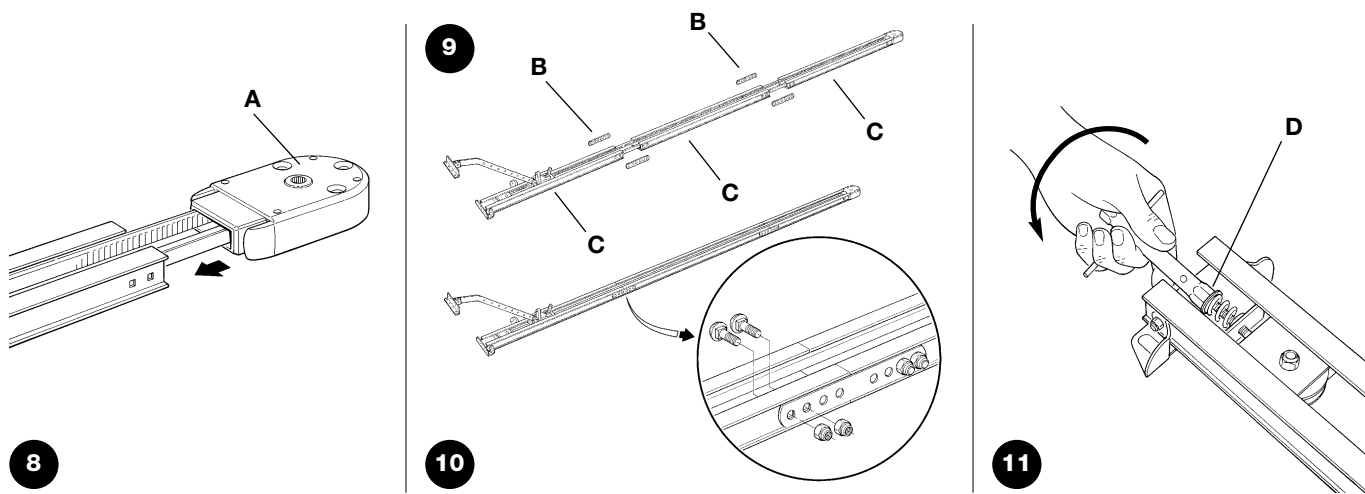
- Guide assembly (see paragraph 3.2.1 for guides supplied with SPIN20KCE, SPIN30 and SPIN40, paragraph 3.2.2 for guide SNA5 and paragraph 3.2.3 for guide SNA6)
- Fixture of gearmotor to guide (see paragraph 3.2.4)
- Fixture of gearmotor to ceiling (see paragraph 3.2.5)

**⚠ SN6031 requires a SNA5 or a SNA6 guide, while SN6041 requires a SNA6 guide.**

### 3.2.1) Assembly of guide supplied with SPIN20KCE, SPIN30 and SPIN40

The guide supplied with SPIN20KCE, SPIN30 and SPIN40 must be assembled as follows:

1. Lay the three guide parts to enable them to be joined. Pay attention to the position of the belt; this must have the teeth facing inwards, and be straight without any twists.
2. Assemble the end of the guide (A), as shown in figure 8. This requires a certain force; if necessary use a rubber mallet.
3. Using joining brackets (B), fit the three parts (C) together as shown in figures 9 and 10.
4. Tension the belt by means of the M8 nut (D), as shown in figure 11, until it is sufficiently taut.



### 3.2.2) SNA5 guide assembly

The SNA5 guide is already assembled. The only operation required is tensioning of the belt by means of the M8 nut (D), as shown in figure 11, until it is sufficiently taut.

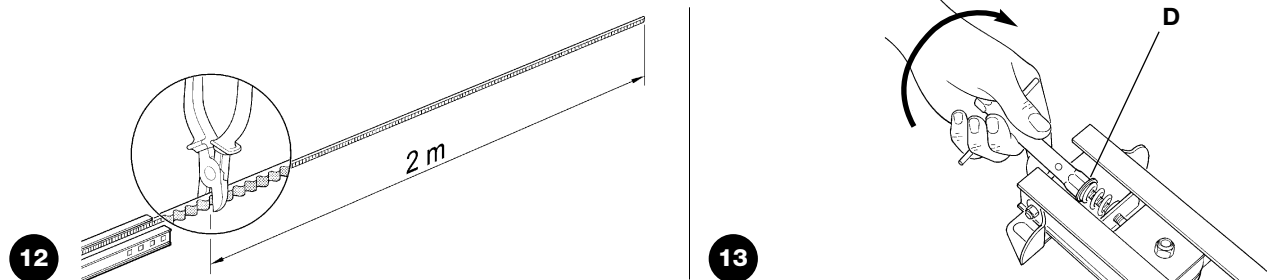
### 3.2.3) SNA6 guide assembly

The SNA6 guide comprises 2 profiles: one 3 metres long and the other 1 metre long to enable 2 versions of guide:

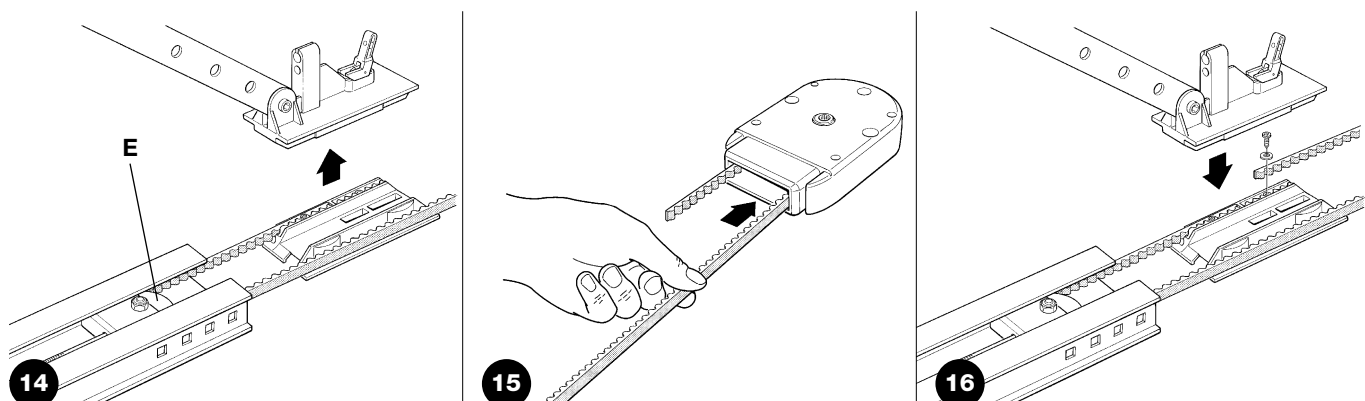
#### 3m version

If the height of the door to be automated is equal to or less than 2.5 m assemble the guide as follows:

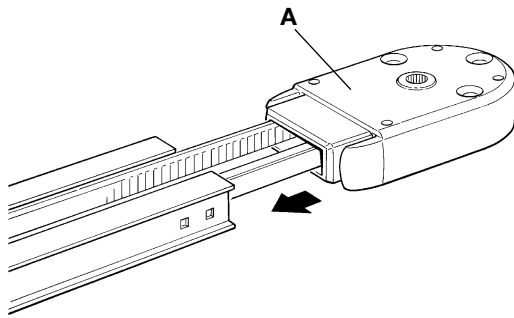
1. Cut the free end of the belt to obtain a length of exactly 2 metres, as shown in figure 12.
2. Loosen the M8 nut (D) completely, as shown in figure 13.



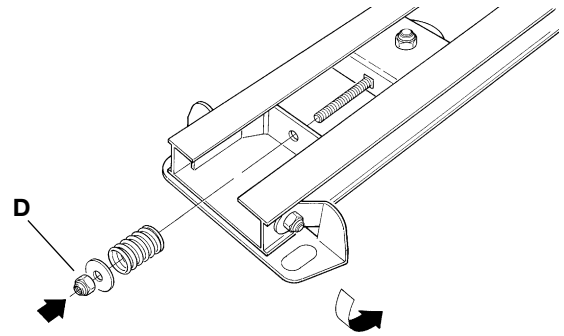
3. Slide the belt tensioner device to mid-stroke (E), as shown in figure 14, and remove the carriage completely.
4. Pass the free end of the belt through the head section, as shown in figure 15, and secure to the carriage by means of the screws and washers present, as shown in figure 16. Take care when positioning the belt; the teeth must be facing inwards, and it must be straight without twists.



- Return the belt tensioner device and carriage to the initial position. Assemble the guide head section (A), as shown in figure 17. This requires a certain force; if necessary use a rubber mallet.
- Insert the spring, washer and M8 nut (D), in the screw of the belt tensioner device, as shown in figure 18.
- Tension the belt by means of the M8 nut (D) (figure 11) until it is sufficiently taut.



17



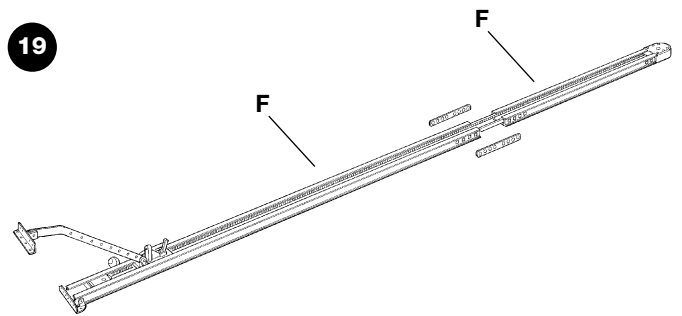
18

#### 4m Version

If the height of the door to be automated is greater than 2.5 m assemble the guide as follows:

- Loosen the M8 nut (D) completely, as shown in figure 13.
- Slide the belt tensioner device to mid-stroke (E), as shown in figure 14, and remove the carriage completely.
- Pass the free end of the belt through the head section, as shown in figure 15, and secure to the carriage by means of the screws and washers present, as shown in figure 16. Take care when positioning the belt; the teeth must be facing inwards, and must be straight without twists.
- Assemble the guide head section (A), as shown in figure 17. This requires a certain force; if necessary use a rubber mallet.
- Using the joining brackets (B), fix the two parts (F), as shown in figure 19.
- Return the belt tensioner device and carriage to the initial position.

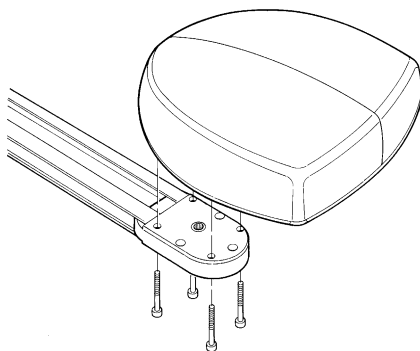
19



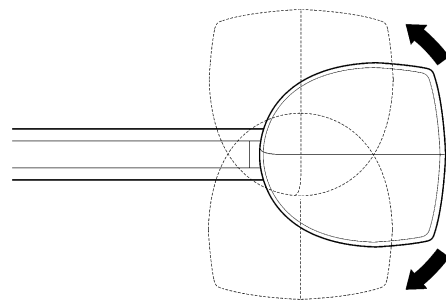
- Insert the spring, washer and M8 nut (D), in the screw of the belt tensioner device, as shown in figure 18.
- Tension the belt by means of the M8 nut (D) (figure 11) until it is sufficiently taut.

#### 3.2.4) Fixing the gearmotor to the guide

- Join the SPIN gearmotor with the guide head (A); then secure by means of the four V6.3x38 screws, as shown in figure 20.
- The motor can be rotated in three different positions, as shown in figure 21.



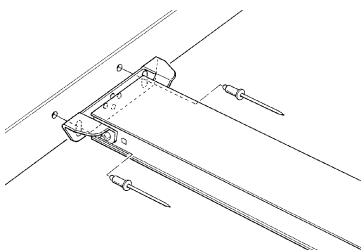
20



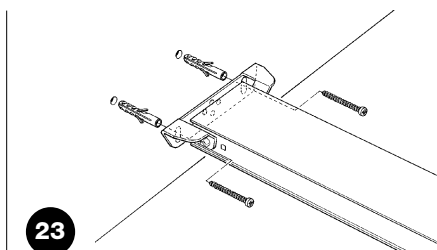
21

#### 3.2.5) Fixing the gearmotor to the ceiling

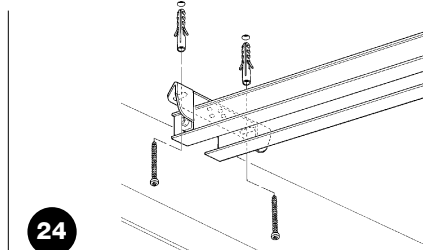
- On the basis of distances A and B in figure 5, trace the two fixing points of the front guide bracket at the centre of the door. On the basis of the type of support surface, the front bracket can be fixed with rivets, plugs or screws (figures 22, 23). If distances A, and B (figure 5) are sufficient, the bracket can be fixed directly onto the ceiling, as shown in figure 24.



22



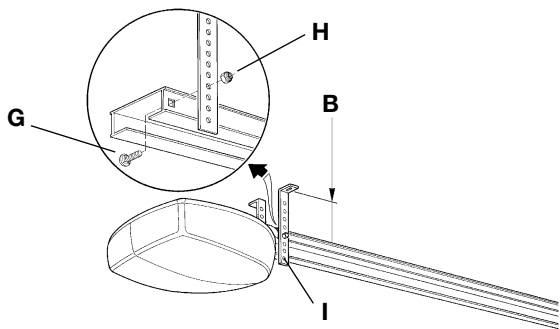
23



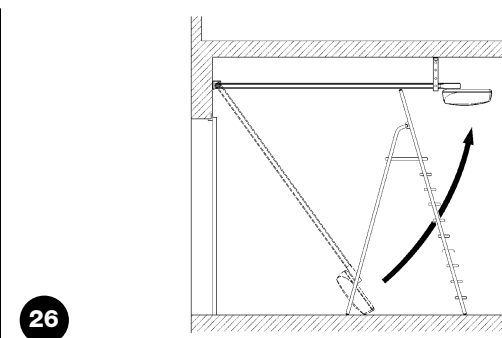
24



- 2. After drilling the holes in the relative points, leaving the gearmotor on the ground, lift the guide from the front section and secure by means of two screws, plugs or rivets, according to the installation surface.
- 3. Secure the brackets (I) by means of the M6x15 screws (G) and nuts M6 (H) selecting the hole most suited to ensure distance B, as shown in figure 25.
- 4. Using a ladder, lift the gearmotor until the brackets are touching the ceiling. Trace the drilling points and then return the gearmotor to the ground, as shown in figure 26.

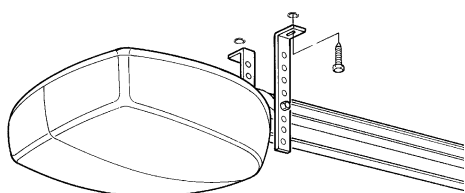


25

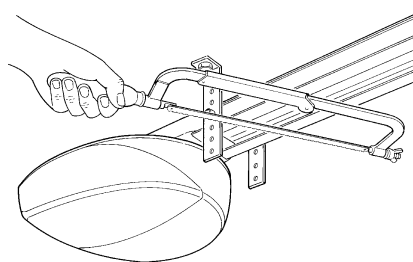


26

- 5. Drill at the outlined points and then, using a ladder, lift the gearmotor until the brackets are placed against the drilled holes and secure by means of screws and plugs suited to the support surface, as shown in figure 27.
- 6. Ensure that the guides are perfectly horizontal, then cut off the excess section of the brackets with a saw, as shown in figure 28.

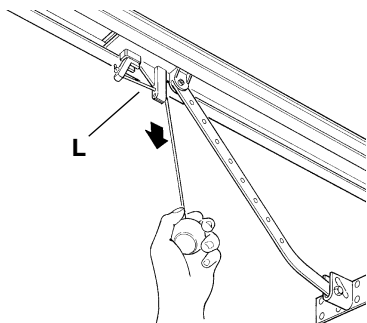


27

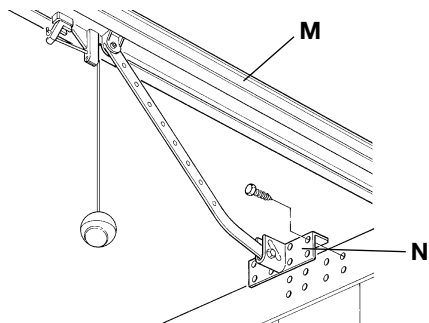


28

- 7. With the door closed, pull the cord to release carriage (L), as shown in figure 29.
- 8. Slide the carriage until the leaf connecting bracket (N) on the upper edge of the door is perfectly perpendicular to the guide (M). Then secure the leaf connecting bracket (N) with rivets or screws, as shown in figure 30. Use screws or rivets suited to the leaf material, and ensure that they are able to withstand the maximum force required for leaf opening and closing.

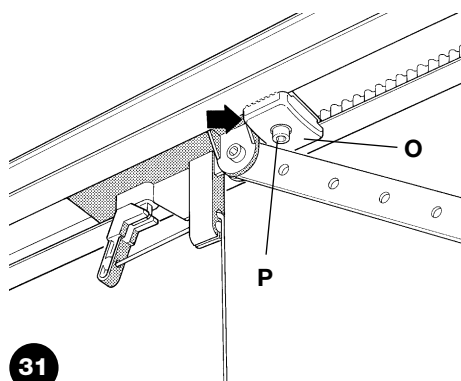


29

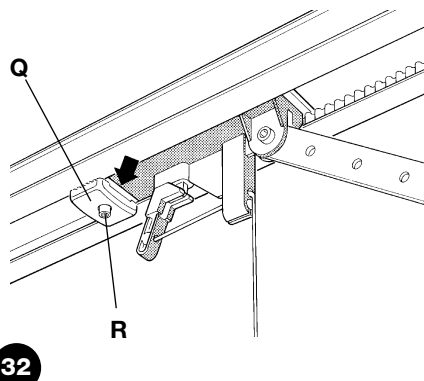


30

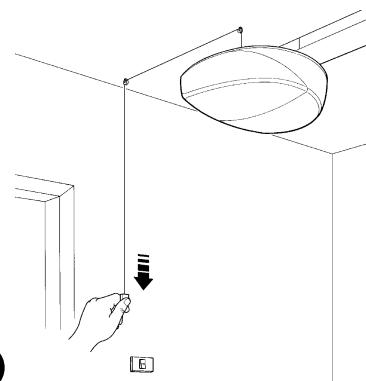
- 9. Loosen the screws of the two mechanical stops, then move the front mechanical stop (O) in front of the carriage, as shown in figure 31. Push the carriage in the closing direction and, on reaching the position, tighten the screw (P) fully down.
- 10. Manually open the door to the required opening position, move the rear mechanical stop (Q), next to the carriage, as shown in figure 32 and tighten the screw (R) fully down.
- 11. Try to move the door manually. Ensure that the carriage slides easily without friction on the guide and that manual movement does not require excessive force.
- 12. Position the control cord at the required point of the room; if necessary route across the ceiling by means of plugs with eyebolts, as shown in figure 33.



31



32



33

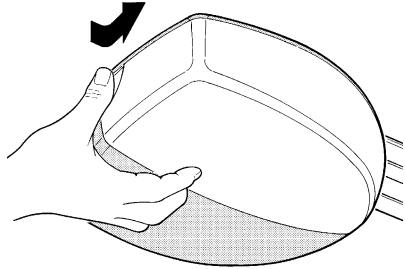
### 3.3) Installation of the Various Devices

If other devices are needed, install them following the directions provided in the corresponding instructions. Check this in paragraph "3.5 Description of electrical connections" and the devices which can be connected to the SPIN in Figure 2..

### 3.4) Electrical connections

**⚠ Only carry out electrical connections once the electricity supply to the system has been switched off. Disconnect any buffer batteries present.**

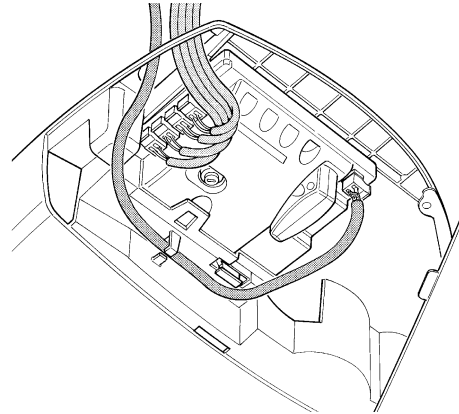
1. Open the protection cover in order to access the electronic control unit of the SPIN. To do this, press the side and rotate as shown in figure 34.



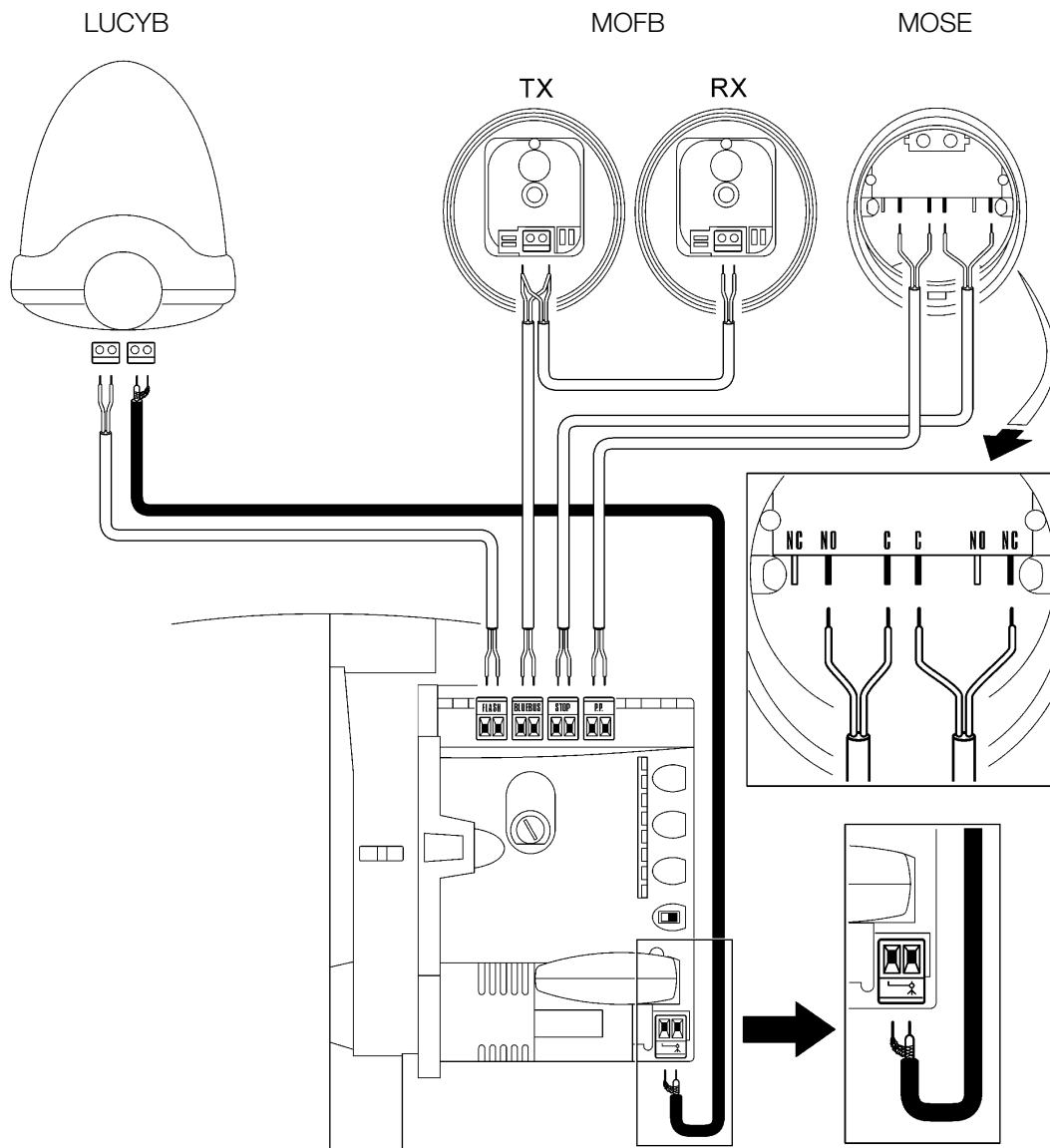
34

2. Insert all the connection cables towards the various devices through the hole, leaving a length of 20÷30 cm longer than necessary. Pass the aerial cable through the cable retainer ring. See Table 6 for information regarding the type of cables and Figure 2 for the connections.

3. Connect up the cables according to the diagram in Figure 36. The terminals can be removed in order to make this work easier.



35

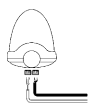


36

### 3.5) Description of the electrical connections

Here follows a brief description of the electrical connections. Please refer to the "7.3. Adding or Removing Devices" paragraph for further information.

**FLASH:** this output is programmable (see paragraph 7.2.4) for connection of one of the following devices:



#### Flashing light

If programmed as "flashing light" on the "FLASH" output a NICE "LUCY B" flashing light can be connected with a car type 12V 21W lamp.

During the manoeuvre the unit flashes at intervals of 0.5s.



#### "Door open indicator" Output

If programmed as "door open indicator" on the "FLASH" output a 24V max 5W indicator can be connected to signal when the door is open.

It remains lit when the door is open and turns off when closed.

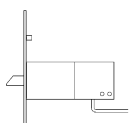
During the manoeuvre the indicator flashes slowly on opening and fast on closing.



#### Suction cup

If programmed as "suction cup" on the "FLASH" output a 24V max 10W suction cup can be connected (versions with electromagnet only, without electronic devices).

When the door is closed, the suction cup is activated, locking the door. It is disabled during door opening and closing manoeuvres.



#### Electric lock

If programmed as "electric lock" on the "FLASH" output an electric lock with latch 24V max 10W can be connected (versions with electromagnet only, without electronic devices).

During opening, the electric lock is activated for a brief interval to release the door and perform the manoeuvre.

During closing, ensure that the electric lock engages mechanically.

**⚠ NEVER USE DEVICES OTHER THAN THOSE SPECIFIED**

**BLUEBUS:** compatible devices can be connected up to this terminal. They are connected in parallel using two conductors only, through which both the electricity supply and the communication signals travel. Please refer to paragraph "7.3.1BlueBUS" for further information about BlueBUS.

**STOP:** input for the devices which block or eventually stop the manoeuvre in progress. Contacts like "Normally Closed", "Normally Open" or constant resistance devices can be connected up using special procedures on the input. Please refer to Paragraph "7.3.2 STOP Input" for further information about STOP".

**STEP-BY-STEP:** input for devices which control movement. It is possible to connect "Normally Open" devices up to this input. Activation of the control cord sends a signal to the PP input.

**AERIAL:** connection input for the radio receiver aerial (the aerial is incorporated in LUCY B; alternatively an external antenna can be used or leave a section of wire already present on the terminal, to serve as an antenna.

## 4) Final checks and start up

The manufacturers recommend you unhook the carriage and position the leaf at approximately half travel before starting the checking and start up phase of the automation. This will ensure the leaf is free to move both during opening and closure.

### 4.1) Power supply connection

To power SPIN simply insert the plug in a mains socket. If necessary, use a commercial adaptor if the plug on the SPIN unit does not correspond to the socket available.

**⚠ Never cut or remove the cable supplied with SPIN. If not already available, the power socket for SPIN connection must be fitted by skilled and qualified personnel in strict observance of current legislation, standards and regulations.**

**The power supply line must be protected from short circuits and ground leakage; a device must be provided to enable the disconnection of the power supply during the installation and maintenance of SPIN (the plug with outlet are suitable for this purpose).**

As soon as SPIN is energized, you should check the following:

1. Make sure that the "BLUEBUS" LED flashes regularly, with about one flash per second.
2. Make sure that the LED's on the photocells (if any) flash (both on TX and RX); the type of flashing is not important as it depends on other factors.
3. Make sure that the device connected to the FLASH output is off.
4. Make sure that the courtesy light is off.

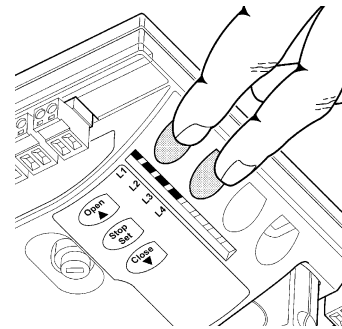
If the above conditions are not satisfied, you should immediately switch off the power supply to the control unit and check the electrical connections more carefully.

Please refer to Chapter "7.6 Troubleshooting" for further information about finding and analysing failures.

#### 4.2) Recognition of the devices

After connecting up the power supply, the control unit must be made to recognise the devices connected up to the BLUEBUS and STOP inputs. Before this phase, LEDs L1 and L2 will flash to indicate that recognition of the devices must be carried out.

**⚠ The device self-learning phase must be performed even if no device is connected.**



37

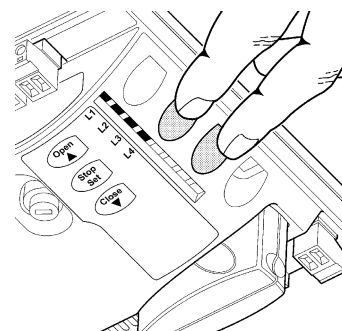
1. Press keys **[s]** and **[Set]** 2 and keep them pressed down.
2. Release the keys then LEDs L1 and L2 start flashing rapidly (after approx 3sec)
3. Wait for a few seconds for the control unit to finish recognising the devices
4. The STOP LED must remain on when the recognitions stage has been completed, while LEDs L1 and L2 will switch off (LEDs L3 and L4 will eventually start flashing)

The connected devices recognition stage can be repeated at any time, even after installation, e.g. if another device is added. Please refer to Paragraph "7.3.4 Recognition of other devices" for information about how to carry out another recognition process

#### 4.3) Recognizing the door opening and closing positions

After recognizing the devices the control unit must be made to recognize the opening and closing positions of the door. In this phase, the door stroke from the mechanical closing stop to the mechanical opening stop is detected.

Ensure that the drive belt is correctly tensioned and that the two mechanical stops are fully secured.



38

1. Engage the carriage.
2. Press keys **[t]** and **[Set]** and keep them pressed down
3. Release the keys when the manoeuvre (after approx. 3s)
4. Wait for the control unit to complete the recognition phase: closing, opening and closing again of the door.
5. Pull the control cord to perform a complete opening manoeuvre.
6. Pull the cord again to perform closing.

During these manoeuvres, the control unit memorises the force required for opening and closing.

At the end of the self-learning process, if leds L3 and L4 flash, this means there is an error; see paragraph "7.6 Troubleshooting".

**It is important that these manoeuvres are not interrupted, e.g. by a STOP command.**

**If this occurs, the self-learning process described in point 1 must be repeated.**

The position recognition stage can be repeated at any time, even after installation (for example if one of the mechanical stops is moved); simply repeat the procedure from point 1.

**⚠ During the position search process, if the belt is not sufficiently tensioned, it may slip on the pinion. If this occurs, press the [Stop] key to interrupt self-learning; tension the belt by tightening the M8 nut (D) as shown in figure 11, then repeat self-learning from point 1.**

#### 4.4) Checking door movements

On completion of the recognition of the opening and closing positions, it is advisable to carry out a number of manoeuvres in order to check the door travels properly.

1. Press the **[Open]** key to open the door. Check that door opening occurs regularly, without any variations in speed; The door must only slowdown and stop when it is between 30 and 20 cm from the opening mechanical stop. Then, at 2÷3cm from the mechanical opening stop the limit switch will trigger.
2. Press the **[Close]** key to close the door. Check that the door closes regularly without any variations in speed. The door must only slowdown when it is between 30 and 20cm from the closing mechanical stop and stop against the mechanical closing stop. A brief opening manoeuvre is then performed to release belt tension.
3. During the manoeuvre, check that the flashing light (if any) flashes at a speed of 0.5 seconds on and 0.5 aseconds off.
4. Open and close the door several times to make sure that there are neither points of excessive friction nor defects in the assembly or adjustments.
5. Check that the fastening of the gearmotor, the guide and the mechanical stops are solid, stable and suitably resistant, even if the door accelerates or decelerates sharply.

### 4.5) Preset functions

The SPIN control unit has a number of programmable functions. These functions are set to a configuration which should satisfy most automations. However, the functions can be altered at any time by means of a

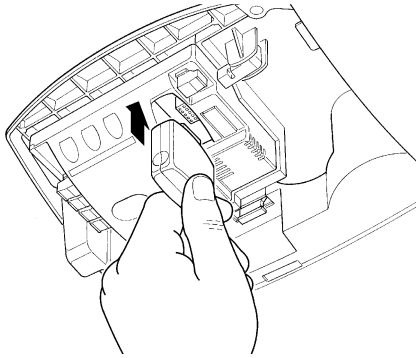
special programming procedure. Please refer to paragraph "7.2 Programming" for further information about this.

### 4.6) Radio receiver

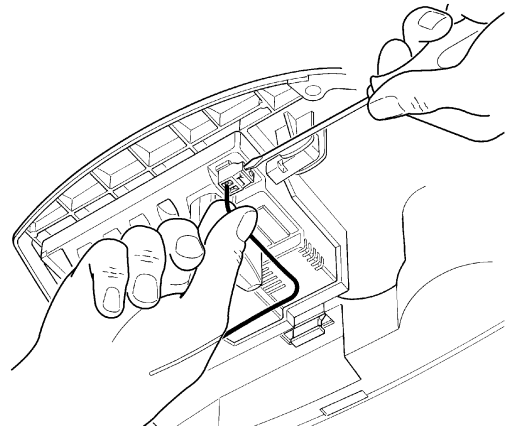
The "SM" radio receiver connector for SMXI or SMXIS type radio receivers has been provided in order to enable the user to control SPIN from a distance. The radio receiver on SPIN20KCE and SPIN21KCE is already connected.

To connect the radio receiver on SPIN30, SPIN40, SN6031 and SN6041 follow the procedure as shown in figures 39 and 40.

1. Press lightly to connect the radio receiver
2. If the incorporated antenna with LUCYB or other type of external antenna is not used, screw the rigid cable supplied with the receiver onto the antenna terminal.



39



40

### 4.6.1) Memorization of transmitters

Each radio transmitter is recognised by the radio receiver by means of a "code" which is different from that of any other transmitter. It is thus necessary to carry out the "memorisation" procedure by means of which the user prepares the receiver to recognise each single transmitter. Transmitters can be memorised in 2 modes:

**Mode I:** in this mode the function of the transmitter keys is fixed and each key corresponds to the command in the control unit shown in Table 7; A single stage is carried out for each transmitter, during which all the transmitter keys are memorised. It does not matter which key is pressed during this stage and only one place in the memory is used. A transmitter can normally only control a single automation in Mode I

**Mode II:** in this mode, each transmitter key can be associated with one of the 4 possible control unit commands shown in Table 8; Only one key is memorised for each stage, namely the one which was pressed during memorisation. One place in the memory is occupied for each key memorised.

In Mode II, different keys on the same transmitter can be used in order to give the same automation more than one command or to control more than one automation. For example, in Table 9, only automation "A" is controlled, and the T3 and T4 keys are associated with the same command. Alternatively, three automations are controlled in the example shown in Table 10, namely (keys T1 and T2), "B" (key T3) and "C" (key T4).

**⚠ Since the memorization procedures are timed (10s), you must read the instructions in the following paragraphs before you proceed with their execution**

**Table 7: Mode I memorisation**

T1 key	"Step-by-step" command
T2 key	"Partial opening" command
T3 key	"Open" command
T4 key	"Close" command

Note: single-channel transmitters only have a T1 key, two channel transmitters only have T1 and T2 keys.

**Table 8: commands available in Mode II**

1	"STEP-BY-STEP" COMMAND
2	"PARTIAL OPENING" COMMAND
3	"OPEN" COMMAND
4	"CLOSE" COMMAND

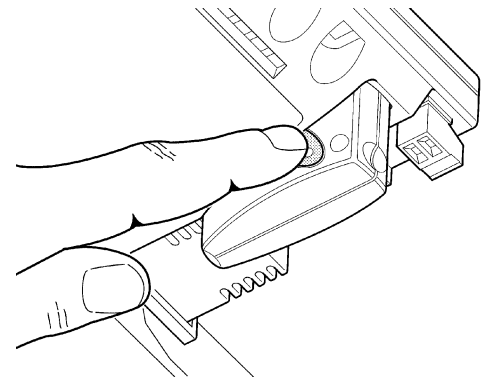
**Table 9: 1st example of memorization in Mode II**

T1 key	"Open" command	Automation A
T2 key	"Close" command	Automation A
T3 key	"Partial opening"	Automation A
T4 key	"Partial opening"	Automation A





**Table 10: 2nd example of memorization in Mode II**

T1 key	"Open" command	Automation A
T2 key	"Close" command	Automation A
T3 key	"Step-by-step" command	Automation B
T4 key	"Step-by-step" command	Automation C

#### 4.6.2) Memorization mode I







41

Table 11: to memorize a transmitter in mode I		Example
1.	Press the key on the receiver and hold it down (approx. 3s)	 3s
2.	Release the key when the LED on the receiver lights up	
3.	Within 10s, press any key on the radio transmitter to be memorized and hold it down for at least 2s	 2s
4.	If the memorization procedure is successful, the LED on the receiver will flash 3 times.	 x3

If there are other transmitters to be memorized, repeat step 3 within the next 10 s, otherwise the memorization stage will terminate automatically.

#### 4.6.3) Memorization mode II

Table 12: to memorize the key of a transmitter in mode II		Example
1.	Press the key on the receiver as many times as the number corresponding to the desired command, according to table 8	 1...4
2.	Make sure that the LED on the receiver makes as many flashes as the number corresponding to the selected command	 1...4
3.	Within 10 s, press any key on the radio transmitter to be memorized and hold it down for at least 2 s	 2s
4.	The LED on the receiver will flash 3 times if the memorization procedure has been successful.	 x3







If there are other transmitters to be memorized for the same type of command, repeat step 3 within the next 10 s, otherwise the memorization stage will terminate automatically.

#### 4.6.4 "Remote" memorization

A new radio transmitter can be memorized without directly operating the keys on the receiver. You need to have a pre-memorized operational radio transmitter. The "new" radio transmitter will inherit the characteristics of the old one, i.e. if the old radio transmitter was memorized in Mode 1, the new one will also be memorized in Mode 1. In this case, during the memorization stage you can press any key on the two transmitters. If, on the other hand, the old transmitter was memorized in Mode II, the new one will also be memorized in Mode II: you must press the key on the old transmitter which corresponds to the desired command, and the key on the new transmitter to which you wish to associate that command.


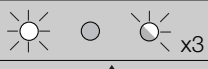


**⚠ Remote memorisation can occur in all those receivers which are within range of the capacity of the transmitter. Therefore, only the one which is actually involved in the operation must be powered.**

Holding the two transmitters, position yourself within the operating range of the automation and perform the following operations:

Table 13: for the "Remote" memorization of a transmitter		Example
1.	Press the key on the new radio transmitter and hold it down for at least 5 s, then release it.	 5s 
2.	Press key on the previously memorized transmitter slowly 3 times.	 1s  1s  1s
3.	Press the key on the new radio transmitter once slowly	 1s

At this point the new radio transmitter will be recognized by the receiver and will assume the characteristics of the previously memorized one. If there are other transmitters to be memorized, repeat all the steps above for each new transmitter.

### 4.6.5) Deleting the Radio Transmitters

Table 14: to delete all the radio transmitters		Example
1.	Press the key on the receiver and hold it down	
2.	Wait until the LED lights up, then wait until it goes off, then wait until it has flashed 3 times	
3.	Release the key precisely upon the third flash.	
4.	If the procedure is successful, after a few moments the LED will flash 5 times	

### 4.6.6) Declaration of conformity of the radio receivers and transmitters

#### Declaration of conformity

No: 151/SMXI Rev03  
 03Nice S.p.a., Via Pezza Alta 13, 31046 Rustignè di Oderzo (TV) Italia  
 NICE S.p.a declares that radio receiver models SMXI, SMXIS and the relative FLO2R-S and SM2 transmitters conform to the essential requisites specified in Directive R&TTE 1999/5/CE, for the use the devices have been manufactured for. Manufactured in Class 1, Sub-class 20

Date 19th March 2004

  
 (Managing Director)  
 Lauro Buoro

## 5) Testing and commissioning

This is the most important stage in the automation system installation procedure in order to ensure the maximum safety levels. Testing can also be adopted as a method of periodically checking that all the various devices in the system are functioning correctly.

**⚠ Testing of the entire system must be performed by qualified and experienced personnel who must establish which tests to conduct on the basis of the risks involved, and verify the compliance of the system with applicable regulations, legislation and standards, in particular with all the provisions of EN standard 12445 which establishes the test methods for automation systems for doors and gates.**

### 5.1) Testing

Each component of the system, e.g. safety edges, photocells, emergency stop, etc. requires a specific testing phase. We therefore recommend observing the procedures shown in the relative instruction manuals.

To test SPIN proceed as follows:

1. Ensure that the instructions outlined in chapter 1 "Warnings" have been observed in full.
2. Release the door by pulling the release cord down. Make sure you can move the door manually both during opening and closing with a force of max. 225N.
3. Engage the carriage again.
4. Using the switch, the radio transmitter or the control cord test the opening and closing of the door and make sure that it moves in the intended direction.
5. The test should be carried out a number of times to make sure that the door moves smoothly, that there are no points of excessive friction and that there are no defects in the assembly or adjustments.
6. Check the proper operation of all the safety devices, one by one (photocells, sensitive edges, etc.). In particular, each time a device is activated the "BLUBUS" LED on the control unit flashes 2 times quickly, confirming that the control unit recognizes the event.
7. To check the photocells and make sure that there is no interference with other devices, pass a 5 cm diameter, 30 cm long cylinder on the optical axis, first near TX, then near RX and finally at the mid-point between them and make sure that in all these cases the device is triggered, switching from the active to the alarm status and vice-versa; finally, that it causes the intended action in the control unit, for example that it causes the reversal of the movement during the closing manoeuvre.

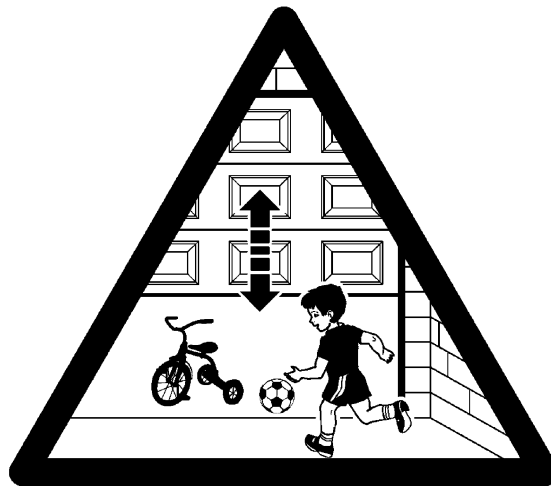
8. If the dangerous situations caused by the movement of the door have been safeguarded by limiting the force of impact, the user must measure the impact force according to EN Standard 12445. If the adjustment of the "speed" and control of the "motor force" are used to assist the system for the reduction of the impact force, try to find the adjustment that gives the best results.



## 5.2) Commissioning

Commissioning can take place only after all testing phases have been terminated successfully. It is not permissible to execute partial commissioning or to enable use of the system in makeshift conditions.

1. Prepare and store for at least 10 years the technical documentation for the automation, which must include at least: assembly drawing of the automation, wiring diagram, analysis of hazards and solutions adopted, manufacturer's declaration of conformity of all the devices installed (for SPIN use the annexed CE declaration of conformity); copy of the instruction manual and maintenance schedule of the automation.
2. Post a permanent label or sign near the door detailing the operations for the release and manual manoeuvre (refer to the figures in "Instructions and warnings for users of the SPIN gearmotor").
3. Post a permanent label or sign near the door containing this picture (min. height 60mm).
4. Post a label on the door providing at least the following data: type of automation, name and address of manufacturer (person responsible for the "commissioning"), serial number, year of manufacture and "CE" marking.
5. Prepare the declaration of conformity of the automation system and deliver it to the owner.
6. Prepare the "Installation instructions and warnings" of the automation system and deliver it to the owner.
7. Prepare the maintenance schedule of the automation system and deliver it to the owner; it provides all directions regarding the maintenance of all automation devices.
8. Before commissioning the automation system inform the owner in writing regarding dangers and hazards that are still existing (e.g. in the "Installation instructions and warnings").



42

## 6) Maintenance and Disposal

This charter provides information about how to draw up a maintenance schedule, and the disposal of SPIN.

### 6.1) Maintenance

The automation must be subjected to maintenance work on a regular basis, in order to guarantee it lasts.

**⚠ The maintenance operations must be performed in strict compliance with the safety directions provided in this manual and according to the applicable legislation and standards.**

If other devices are present, follow the directions provided in the corresponding maintenance schedule.

1. SPIN requires scheduled maintenance work every 6 months or 3,000 manoeuvres (max.) after previous maintenance:

2. Disconnect the power supply and buffer batteries, if featured.
3. Check for any deterioration of the components which form the automation, paying particular attention to erosion or oxidation of the structural parts. Replace any parts which are below the required standard.
4. Check the wear and tear on the moving parts: belt, carriage, pinions and the door components; if necessary replace them.
5. Connect the electric power sources up again, and carry out the testing and checks provided for in Paragraph "5.1 Testing".

### 6.2) Disposal

SPIN is constructed of various types of materials, some of which can be recycled: steel, aluminium, plastic, electric cables; while others must be disposed of (batteries and electronic boards).

**⚠ Some electronic components and the batteries may contain polluting substances; do not pollute the environment. Enquire about the recycling or disposal systems available in compliance regulations locally in force.**

1. Disconnect the power supply of the automation system (and the buffer battery, if featured).
2. Disassemble all the devices and accessories, following in reverse order the procedures described in chapter 3 "Installation".
3. Wherever possible, separate any parts which can or must be recycled or disposed of in different ways, e.g. metal parts must be disposed of separately from plastic ones, as must the electronic cards, batteries etc
4. Sort the various materials and consign them to local licensed firms for recovery and disposal.



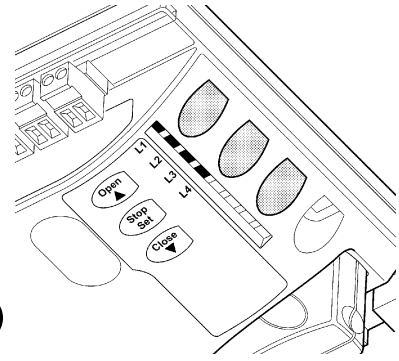
## 7) Additional Information

Programming, personalisation and how to look for and deal with faults on the SPIN will be dealt with in this chapter.

### 7.1) Programming keys

The SPIN control unit feature three keys that can be used to command the control unit both during tests and programming:

<b>Open</b> s	The "OPEN" key enables the user to control the opening of the door or move the programming point upwards.
<b>Stop</b> <b>Set</b>	The "STOP" key enables the user to stop the manoeuvre. If pressed down for more than 5 seconds it enables the user to enter programming.
<b>Close</b> t	The "CLOSE" key enables the user to control the closing of the door or move the programming point downwards.



43

### 7.2) Programming

A number of programmable functions are available on the SPIN control unit. The functions are adjusted using 3 keys set on the control unit: [s] [Set] [t] and are used by means of 4 LEDs: **L1....L4**.

The programmable functions available on SPIN are set out on 2 levels:

**Level 1:** the functions can be adjusted in modes ON-OFF (active or inactive). In this case, each of the LEDs **L1....L4** indicates a function. If the LED is on, the function is active, if off the function is inactive. See Table 15.

**Level 2:** the parameters can be adjusted on a scale of values (from 1 to 4). In this case, each of the LEDs **L1....L4** indicates the value set (there are 4 possible settings). Please refer to Table 17.

#### 7.2.1) Level one functions (ON-OFF functions).


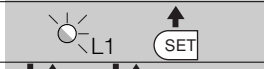



**Table 15: list of programmable functions: Level one**

Led	Function	Description
<b>L1</b>	Automatic Closing	This function causes the door to close automatically after the programmed time has lapsed. The factory set Pause Time is 20 seconds, but can be changed to 10, 20, 40 and 80 seconds. If the function is inactive, functioning will be "semi-automatic".
<b>L2</b>	Close After Photo	Close After Photo After the photocells are disengaged (photo and photo II), this function activates "Automatic Closing" with a "Pause Time" of 5s, even if the pause time is set for a longer interval; this varies according to whether "Automatic Closing" is enabled or disabled. <b>When "Automatic Closing" is active:</b> the opening manoeuvre stops immediately after the photocells have disengaged. After 5 seconds, the door will begin to close. If the function "Close after Photo" is inactive, the pause time will be the one which has been programmed. <b>When "Automatic Closing" is inactive:</b> the opening manoeuvre will not be interrupted but, when the photocell disengages, this will cause an automatic closing manoeuvre with a pause time of 5 seconds. If the function "Close After Photo" is inactive, the automatic closing manoeuvre will not take place.
<b>L3</b>	Motor force	This function enables selection of the motor force control sensitivity to adapt it to the type of door installed. If this function is enabled, sensitivity is more suited to smaller and more lightweight doors. If the function is disabled, sensitivity is more suited to larger, heavier doors.
<b>L4</b>	Stand-By	This function enables the user to lower consumption to a very minimum. It is particularly useful in cases when the buffer battery is being used. If this function is active, the control unit will switch the BLUEBUS output (and consequently the devices) and all the LEDs off one minute after the end of the manoeuvre. The only LED which will remain on is the BLUEBUS LED which will simply flash more slowly. When a command arrives, the control unit will reset to complete functioning. If this function is inactive, there will be no reduction in the consumption.

During the normal functioning of the SPIN, LEDs **L1....L4** will either be on or off depending on the state of the function they represent. For example, **L1** will be on if the "Automatic Closing" function is active.

### 7.2.2) Level one programming (ON-OFF functions)

Level 1 functions are all factory set to "OFF". However, they can be changed at any time as shown in Table 16. Follow the procedure carefully, as there is a maximum time of 10 seconds between pressing one key and another. If a longer period of time lapses, the procedure will finish automatically and memorize the modifications made up to that stage.

Table N°16: changing ON-OFF functions		Example
1.	Press the key <b>[Set]</b> and hold it down (approx. 3 s)	
2.	Release the <b>[Set]</b> key when L1 LED starts flashing	
3.	Press keys <b>[s]</b> or <b>[t]</b> to move the flashing LED onto the LED representing the function which is to be changed	
4.	Press the <b>[Set]</b> key to change function status (short flash = OFF; long flash = ON)	
5.	Wait 10 seconds before leaving the programme to allow the maximum time to lapse	

Note: Points 3 and 4 can be repeated during the same programming phases in order to set other functions to ON or OFF.

### 7.2.3) Level two functions (adjustable parameters)

Table 17: programmable function list: level two				
Input LED	Parameter	LED (level)	value	Description
L1	Pause Time	L1	10 seconds	Adjusts the pause time, namely the time which lapses before automatic closure. This will only have an effect if automatic closing is active
		L2	20 seconds	
		L3	40 seconds	
		L4	80 seconds	
L2	Step-by-step Function.	L1	Open – stop – close - stop	Manages the sequence of controls associated to the Step-by-Step input or to the 1st radio command (see tables 7 and 8).
		L2	Open - stop - close- open	
		L3	Condominium operation	
		L4	Man present	
L3	Motor speed	L1	Very slow	Adjusts the speed of the motor during normal travel.
		L2	Slow	
		L3	Medium	
		L4	Fast	
L4	FLASH:	L1	Output Open door indicator	Selects the device connected to the FLASH output
		L2	Flashing light	
		L3	Electric lock	
		L4	Suction cup	


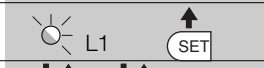


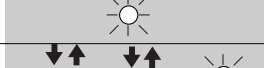



Note: "■" represents the factory setting

All the parameters can be adjusted as required without any contraindication; only the selection of the device connected to the "FLASH" output could require special care:

**⚠ Before connecting the device to the "FLASH" output, ensure that the correct function has been programmed. Otherwise there is a risk of damage to the device.**

### 7.2.4) Level two programming (adjustable parameters)







The adjustable parameters are factory set as shown in the table 17 with "■". However, they can be changed at any time, as shown in Table 18. Follow the procedure carefully as there is a maximum time of 10 seconds between pressing one key and another. If more time lapses, the procedure will finish automatically and memorize the modifications made up to that stage.

Table 18: changing the adjustable parameters		Example
1.	Press the key <b>[Set]</b> and hold it down (approx. 3 s)	
2.	Release the <b>[Set]</b> key when L1 LED starts flashing	
3.	Press keys <b>[s]</b> or <b>[t]</b> to move the flashing LED to the "input LED" which represents the parameter which is to be modified.	
4.	Press the key <b>[Set]</b> , and hold it down during step 5 and 6	
5.	Wait approx. 3 seconds, after which the LED representing the current level of the parameter which is to be modified will light up.	
6.	Press keys <b>[s]</b> or <b>[t]</b> to move the LED which represents the parameter value.	
7.	Release the key <b>[Set]</b>	
8.	Wait 10s to exit programming on elapse of the maximum time interval.	

Note: Points 3 to 7 can be repeated during the same programming phases in order to adjust other parameters

### 7.2.5 Level one programming example (ON-OFF functions)


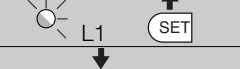





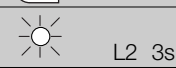



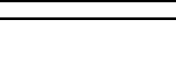
The sequence to follow in order to change the factory settings of the functions for activating “Automatic Closing” (L1) and “Motor force” (L3) have been included as examples

Table 19: Level one programming example	Example
1. Press the key <b>[Set]</b> and hold it down (approx. 3 s)	
2. Release the <b>[Set]</b> key when L1 LED starts flashing	
3. Press the <b>[Set]</b> key once to change the state of the function associated with L1 (Automatic Closing). LED L1 will now flash with long flashes.	
4. Press the <b>[t]</b> key twice to move the flashing LED to LED L3.	
5. Press the <b>[Set]</b> key once to change the state of the function associated with L3 (Motor Force). LED L3 will now flash with long flashes.	
6. Wait 10 seconds before leaving the programme to allow the maximum time to lapse.	

Once these operations have been completed, LEDs L1 and L3 must remain on to indicate that the “Automatic Closing” and “Motor Force” functions are active.

### 7.2.6 Level two programming example (adjustable parameters)

The sequence to follow in order to change the factory settings of the parameters increasing the “Pause Time” to 80s (input on L1 and level on L4) and select the Open Door Indicator for the “FLASH” output (input on L4 and level on L1) have been included as examples.

Table N°20: Level two programming example	Example
1. Press the key <b>[Set]</b> and hold it down (approx. 3 s)	
2. Release the <b>[Set]</b> key when L1 LED starts flashing	
3. Press the key <b>[Set]</b> and hold it down during step 4 and 5	
4. Wait approx. 3 seconds until LED L2, which represents the current level of the “Pause time”, switches on.	
5. Press the <b>[t]</b> key twice to move the LED which is lit on to L4, which represents the new “Pause Time” value.	
6. Release the key <b>[Set]</b>	
7. Press the <b>[t]</b> key 3 times to move the LED which is flashing to L4	
8. Press the key <b>[Set]</b> ; and hold it down during step 9 and 10	
9. Wait approx. 3s until LED L2, which represents the current device associated with the “FLASH Output”, i.e. the flashing light.	
10. Press the <b>[s]</b> key one time to move the LED which is on to L1 which represents the new device associated with the “FLASH Output”, i.e. the “Open Door Indicator”.	
11. Release the key <b>[Set]</b>	
12. AWait 10 seconds before leaving the programme to allow the maximum time to lapse.	

### 7.3) Adding or Removing Devices

Devices can be added to or removed from the SPIN automation system at any time. In particular, various devices types can be connected to “BLUEBUS” and “STOP” input as explained in paragraphs

“7.3.1 BlueBUS” and “7.3.2 STOP Input”.

#### 7.3.1) BlueBUS

BlueBUS technology allows you to connect compatible devices using only two wires which carry both the power supply and the communication signals. All the devices are connected in parallel on the 2 wires of the BlueBUS itself. It is not necessary to observe any polarity; each device is individually recognized because a univocal address is assigned to it during the installation. Photocells, safety devices, control keys, signalling lights etc. can be connected to BlueBUS The SPIN control unit recognizes all the connected devices individually through a suitable recognition process, and can

detect all the possible abnormalities with absolute precision For this reason, each time a device connected to BlueBUS is added or removed the control unit must go through the recognition process; see paragraph 7.3.4 “Recognition of Other Devices”.

### 7.3.2) STOP Input

STOP is the input that causes the immediate interruption of the manoeuvre (with a short reverse run). Devices with output featuring normally open "NO" contacts and devices with normally closed "NC" contacts, as well as devices with 8.2KΩ constant resistance output, like sensitive edges, can be connected to this input. During the recognition stage the control unit, like BlueBUS, recognizes the type of device connected to the STOP input (see paragraph 7.3.4 "Recognition of Other Devices"); subsequently it commands a STOP whenever a change occurs in the recognized status.

Multiple devices, even of different type, can be connected to the STOP input if suitable arrangements are made.

- Any number of NO devices can be connected to each other in parallel.
- Any number of NC devices can be connected to each other in series.

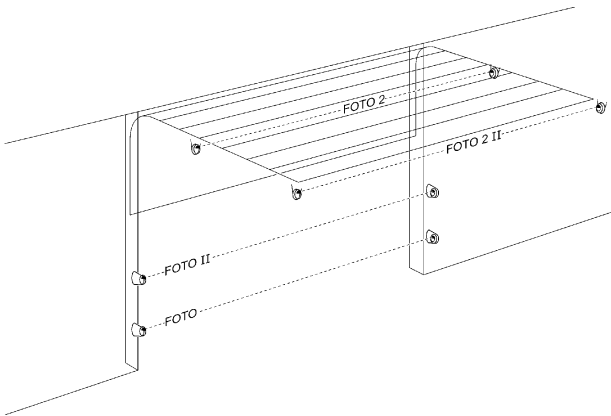
- Two devices with 8.2KΩ constant resistance output can be connected in parallel; if needed, multiple devices must be connected "in cascade" with a single 8.2KΩ termination resistance
- It is possible to combine Normally Open and Normally Closed by making 2 contacts in parallel with the warning to place an 8.2KΩ resistance in series with the Normally Closed contact (this also makes it possible to combine 3 devices: Normally Open, Normally Closed and 8.2KΩ).

**⚠ If the STOP input is used to connect devices with safety functions, only the devices with 8.2KΩ constant resistance output guarantee the fail-safe category 3 according to EN standard 954-1.**

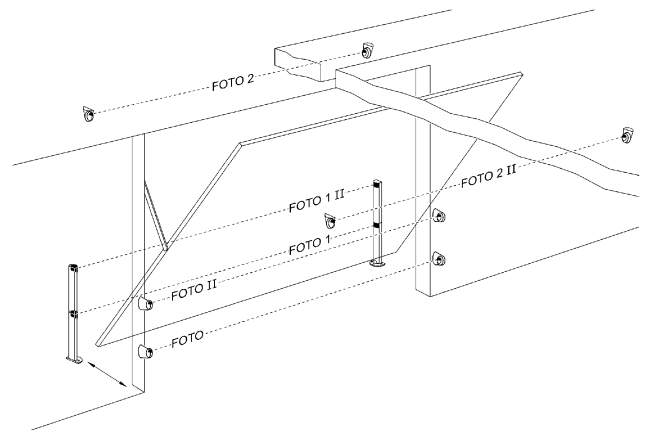
### 7.3.3) Photocells

By means of addressing using special jumpers, the "BlueBUS" system enables the user to make the control unit recognise the photocells and assign them with a correct detection function. The addressing operation must be done both on TX and RX (setting the jumpers in the same way) making sure there are no other couples of photocells with the same address. In an automation for sectional doors or non-protruding overhead doors it is possible to install the photocells as shown in Figure 44. In an automation with protruding overhead doors, refer to figure 45. Photo 2 and Photo 2II are used

in special installations requiring complete protection of the automation, also during opening. After the installation or removal of photocells, the recognition phase in the control unit as described in Paragraph "7.3.4 Recognition of other devices" must be carried out.



44



45




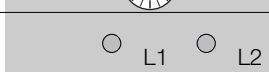
**Table 21: Photocell addressing**

Photocell	Jumpers	Photocell	Jumpers
<b>PHOTO</b> Photocell h=50cm activated when door closes		<b>FOTO 2</b> Photocell activated when door opens	
<b>PHOTO II</b> Photocell h=100cm activated when door closes		<b>FOTO 2 II</b> Photocell activated when door opens	
<b>PHOTO 1</b> Photocell h = 50 activated when door closes and opens		<b>FOTO 3</b> <b>INADMISSIBLE CONFIGURATION</b>	
<b>PHOTO 1 II</b> Photocell h = 100 activated when door closes and opens			

**⚠ In the SN6021 versions the BlueBUS output has a maximum load of 2 units. On SN6031 and SN6041 the maximum load is 6 units; one pair of photocells absorbs power equal to 1 BlueBUS unit.**

### 7.3.4) Recognition of other devices

Normally the recognition of the devices connected to the BlueBUS and the STOP input takes place during the installation stage. However, if new devices are added or old ones removed, the recognition process can be gone through again by proceeding as follows:

Table 22: Recognition of Other Devices	Example
1. Press keys [s] and [Set] and hold them down [Set] x 3s	
2. Release the keys when L1 and L2 LED's start flashing very quickly (after approx. 3 s)	
3. Wait a few seconds for the control unit to finish recognizing the devices	
4. When the recognition stage is completed L1 and L2 LED's will go off, the STOP LED must remain on, while L2...L4 LED's will light up according to the status of the relative ON-OFF functions.	

**⚠ After you have added or removed any devices, the automation system must be tested again according to the directions contained in paragraph 5.1 "Testing".**

## 7.4) Special Functions

### 7.4.1) "Always Open" Function

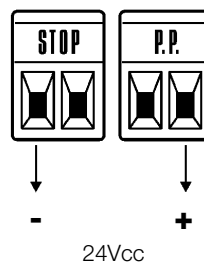
The "Always open" function is a control unit feature which enables the user to control an opening manoeuvre when the "Step-by-Step" command lasts longer than 3 seconds. This is useful for connecting a timer contact to the "Step-by-Step" terminal in order to keep the door open for a certain length of time, for example. This feature is valid with any kind of "Step-by-Step" input programming. Please refer to the "Step-by-Step Function" parameter in Table 17.

### 7.4.2) "Move anyway" function

In the event that one of the safety devices is not functioning properly or is out of use, it is still possible to command and move the door in "Man present" mode. Please refer to the Paragraph "Control with safety devices out of order" in the enclosure "Instructions and Warnings for users of the SPIN gearmotor" for further information.

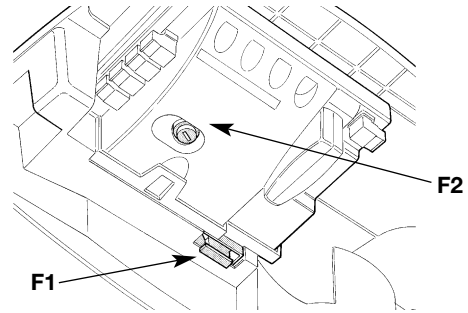
## 7.5 Connection to other devices

If the user needs to feed external devices such as a proximity reader for transponder cards or the illumination light of the key-operated selector switch, it is possible to tap power as shown in Figure 46. The power supply voltage is 24Vdc -30% - +50% with a maximum available current of 100mA



## 7.6) Troubleshooting

The following table contains instructions to help you solve malfunctions or errors that may occur during the installation stage or in case of failure.



47

**Table 23: Troubleshooting**

SYMPTOMS	PROBABLE CAUSE AND POSSIBLE SOLUTION
The radio transmitter does not control the door and the LED on the transmitter does not light up	Check to see if the transmitter batteries are exhausted, if necessary replace them.
The radio transmitter does not control the door but the LED on the transmitter lights up.	Check the transmitter has been memorised correctly in the radio receiver.
The user is unable to command manoeuvres and the "BLUEBUS" LED fails to flash.	Check that SPIN is being fed 230V voltage from the power supply. Check to see if any fuses have blown. If necessary, identify the reason for the failure and then replace the fuses with others having the same current rating and characteristics
No manoeuvre starts and the flashing light is off	Make sure that the command is actually received. If the command reaches the STEP-BY-STEP input, the corresponding "STEP-BY-STEP" LED must light up; if you are using the radio transmitter, the "BlueBus" LED must make two quick flashes.
No manoeuvre starts and the flashing light flashes a few times	Count the flashes and check the corresponding value in table 24.
The manoeuvre starts but it is immediately followed by a short reverse run	The selected force could be too low to move the door. Check to see whether there are any obstacles; if necessary increase the force
The manoeuvre is carried out but the device connected to the FLASH output does not work	Verificare che il dispositivo collegato all'uscita "FLASH" sia effettivamente quello programmato. Ensure that the device connected to the "FLASH" output is as programmed. When the device is powered, ensure that there is voltage present on the device terminal; if there is voltage, the problem is due to the device; in this case replace the device with one having the same characteristics; if there is no voltage, there is an overload on the output. Check that the cable has not short-circuited.

## 7.7) Diagnostics and signals

A few devices issue special signals that allow you to recognize the operating status or possible malfunctions.

### 7.7.1) Flashing light and courtesy light signalling

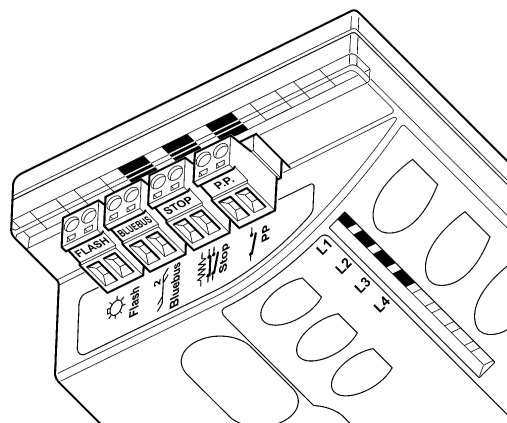
If the FLASH output is programmed and a flashing light is connected, it should flash every second during the manoeuvre; When something is wrong the flashes are more frequent; the light flashes twice with a second's pause between flashes. The courtesy light gives the same diagnostics signals.

**Table 24: FLASH flashing light signalling**

Quick flashes	Cause	ACTION
1 flash 1 second's pause 1 flash	BlueBUS error	At the starting of the manoeuvre, the devices connected to BLUEBUS do not correspond to those recognized during the recognition phase. One or more devices may be faulty; check and, if necessary, replace them; in case of modifications repeat the recognition process (7.3.4 Recognition of Other Devices).
2 flashes 1 second's pause 2 flashes	Triggering of a photocell	At the starting of the manoeuvre, one or more photocells do not enable it; check to see if there are any obstacles. This is normal when there is an obstacle impeding the movement.
3 flashes 1 second's pause 3 flashes	Activation of the "motor force" limiting device	During the movement, the door experienced excessive friction; identify the cause
4 flashes 1 second's pause 4 flashes	Activation of the STOP input	During the movement the STOP input was activated; identify the cause
5 flashes 1 second's pause 5 flashes	Error in the internal parameters of the electronic control unit.	Wait at least 30 seconds, then try giving a command. If nothing happens there may be a serious fault and the electronic card will have to be replaced.
6 flashes 1 second's pause 6 flashes	The maximum manoeuvre limit/hour has been exceeded.	Wait for a few minutes until the manoeuvre limiting device drops to under the maximum limit.
7 flashes 1 second's pause 7 flashes	There is an error in the internal electric circuits.	Disconnect all the power circuits for a few seconds and then try to give the command again. If nothing happens there may be a serious fault on the electronic card or the motor cabling. Check and replace as necessary.

### 7.7.2) Signals on the control unit

On the SPIN control unit there is a set of LED's each of which can give special indications both during normal operation and in case of malfunctions.



48

**Table 25: LED's on the control unit's terminals**

BLUEBUS Led	Cause	ACTION
Off	Malfunctionaa	Make sure there is power supply; check to see if the fuses are blown; if necessary, identify the reason for the failure and then replace the fuses with others having the same characteristics.
On	Serious malfunction	There is a serious malfunction; try switching off the control unit for a few seconds; if the condition persists it means there is a malfunction and the electronic board has to be replaced
One flash every second	Everything OK	Normal operation of control unit
2 Quick flashes	The status of the inputs has changed	This is normal when there is a change in one of the inputs: STEP-BY-STEP, STOP, triggering of photocells or the radio transmitter is used
Series of flashes separated by a second's pause	Miscellaneous	It corresponds to the flashing light's or the courtesy light signal. See table 24
STOP LED	Cause	ACTION
Off	Activation of the STOP input	Check the devices connected to the STOP input
On	Everything OK	STOP Input active
STEP-BY-STEP LED	Cause	ACTION
Off	Everything OK	STEP-BY-STEP input not active
On	Activation of the STEP-BY-STEP input	This is normal if the device connected to the STEP-BY-STEP input is actually active

**Table 26: LED's on the control unit's keys**

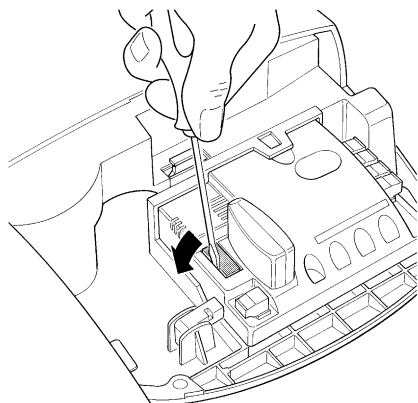
L1 LED	Description
Off	During normal operation the device indicates "Automatic Closure" is inactive.
On	During normal operation the device indicates "Automatic Closure" is active.
Flashing	<ul style="list-style-type: none"> <li>Function programming in progress</li> <li>If it flashes together with L2, it means that it the user must carry out the device recognition phase (refer to Paragraph "4.3 Recognition of the devices").</li> </ul>
L2 LED	Description
Off	During normal operation the device indicates "Close after photo" is inactive.
On	During normal operation the device indicates "Close after photo" is active.
Flashing	<ul style="list-style-type: none"> <li>Function programming in progress</li> <li>If it flashes together with L2, it means that it the user must carry out the device recognition phase (refer to Paragraph "4.2 Recognition of the devices").</li> </ul>
L3 LED	Description
Off	During normal operation the device indicates "Motor Force" for "heavy" doors.
On	During normal operation the device indicates "Motor force" for light "doors"
Flashing	<ul style="list-style-type: none"> <li>Function programming in progress</li> <li>If it flashes together with L4 it means that the user must carry out the door opening and closing positions recognition phase (refer to Paragraph "4.3 Recognition of the door opening and closing positions").</li> </ul>
L4 LED	Description
Off	During normal operation the device indicates "Stand-by" is inactive.
On	During normal operation the device indicates "Stand-by" is active.
Flashing	<ul style="list-style-type: none"> <li>Function programming in progress</li> <li>If it flashes together with L3 it means that it the user must carry out the leaf length recognition phase ((refer to Paragraph "4.3 Recognition of the door opening and closing positions").</li> </ul>

## 7.8) Accessories

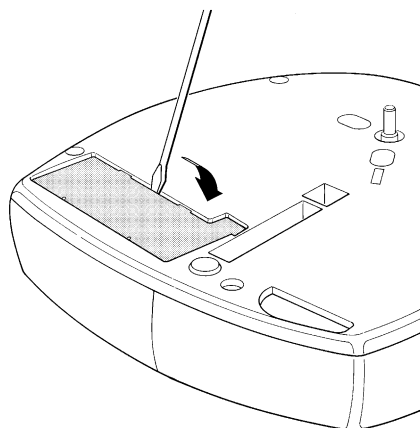
The following optional accessories are available for SPIN. For information on the complete range of accessories, refer to the Nice s.p.a. product catalogue.

### For SN6031 and SN6041

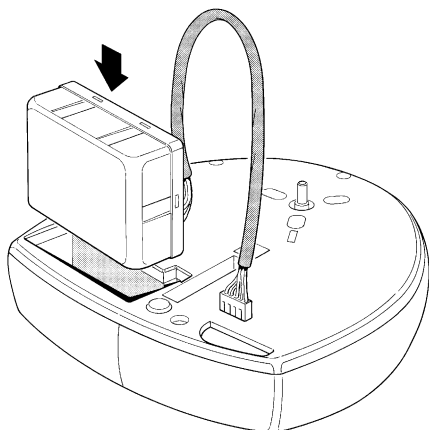
- PS124 24 V Buffer battery – 1.2Ah with integrated charger battery



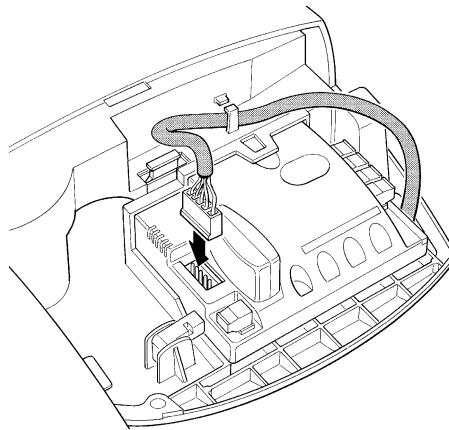
49



50



51



52

### For SN6031 and SN6041

- SMXI o SMXIS Radio receiver at 433,92MHz with Rolling code digital coding.

### For SN6031

- SNA5 Single profile 3-metre guide in galvanised steel. Belt drive with 4 steel inserts.

### For SN6031 and SN6041

- SNA6 Double profile 4-metre guide (3m + 1m) in galvanised steel. Belt drive with 6 steel inserts.

### For all versions

- SPA2 Mechanical release with metal cord. For use in systems which envisage only the automated door as point of access.

### For all versions

- SPA5 Oscillating arm. Required when the door to be automated is a spring or counterweight overhead model.



## 8) Technical characteristics

Nice S.p.a., in order to improve its products, reserves the right to modify their technical characteristics at any time without prior notice. In any case, the manufacturer guarantees their functionality and fitness for the intended purposes.

All the technical characteristics refer to a room temperature of 20°C (±5°C)

Technical characteristics: SPIN			
Model	SN6021	SN6031	SN6041
Type	Electromechanical gearmotor for the automatic movement of garage doors for residential use, complete with electronic control unit		
Pinion	Diameter 9.5mm, 28 teeth; for guides SNA5, SNA6 and guides supplied with SPIN20KCE, SPIN30 and SPIN40		
Peak thrust [corresponds to the force necessary to start a leaf]	11.7Nm [650N]	11.7Nm [650N]	18Nm [1000N]
Nominal torque [corresponds to the force necessary to keep a leaf moving]	5.85Nm [345N]	5.85Nm [345N]	9Nm [560N]
Speed under no load [corresponding to if "High speed" is programmed]	106 rpm [0,20m/s] The control unit enables programming of 4 speeds equal to approx. 100%-85%-70%-55%		
Nominal torque speed [corresponds to if "High speed" is programmed]	53 rpm [0,08m/s]		
Maximum frequency of operating cycles	50 cycles per day (the control unit allows up to the maximum described in tables 4 and 5)		
Maximum continuous operating time	3 minutes (the control unit limits the continuous operation up to the maximum described in tables 4 and 5)		
Operating limits	Normally SPIN can automate sectional or overhead doors which remain within the dimensions stated in table 3 and limits specified in tables 4 and 5.		
SPIN Power supply SPIN/V1 Power supply	230Vac (±10%) 50/60Hz. 120Vac (±10%) 50/60Hz.		
Max. absorbed power	250W	250W	370W
Reduced consumption in Stand-By	---	less than 2.2W	less than 2.5W
Insulation class	1 (a safety grounding system is required)		
Emergency Power Supply	---	With PS124 accessory	With PS124 accessory
Courtesy light SPIN Courtesy light SPIN /V1	12V-21W socket BA15 12V-21W socket BA15	230V-60W socket E27 120V-60W socket E27	230V-60W socket E27 120V-60W socket E27
FLASH Output	If programmed as "SPA "Open door indicator"": output for a maximum 24V-5W lamp; if programmed as "Flashing light": output for 1 LUCYB Flashing light (12V, 21W); if programmed as "Electric lock": output for maximum 24V- 10W electro-mechanical lock; if programmed as "Suction cup" output for maximum 24V- 10W electro-mechanical suction cup		
Maximum BLUEBUS output load	2	6	6
STOP Input	For normally open contacts, for 8.2Kohm constant resistance, or normally closed contacts; with self-recognition (any variation from the memorized status causes the "STOP" command)		
Step-by-step Input	For normally open contacts (the closing of the contact causes the "STEP-BY-STEP" command)		
Radio AERIAL Input	52 ohm for RG58 or similar type of cable		
Radio receiver	"SM" connector for SMXI and SMXIS receivers		
Programmable functions	4 ON-OFF functions and 4 adjustable functions (see tables 15 and 17)		
Recognition functions	Recognition of the devices connected up to the BlueBUS output. Recognition of the type of "STOP" device (Normally Open or Normally Closed contact or 8.2KΩ resistance). Recognition of the door opening and closing positions and calculation of the slowdown and partial opening points.		
Operating temperature	-20°C ÷ 50°C		
Use in acid, saline or potentially explosive atmosphere	No		
Protection class	IP40 (use only in indoor or protected environments)		
Dimensions / weight	311x327 h 105 / 3,6Kg		311x327 h 105 / 4,7Kg

### Guide technical characteristics

Model	Guide in SPIN20KCE and SPIN30	Guide in SPIN40	SNA5	SNA6
Type	3-piece profile in galvanised steel		single profile in galvanised steel	2-piece profile in galvanised steel
Guide length	3.15m	3.15m	3.15m	4.15m
Guide height	35mm	35mm	35mm	35mm
Useful stroke	2.5m	2.5m	2.5m	3.5m
Belt width	6m	6m	6m	8m
Belt Height	6mm	10mm	6mm	10mm
Resistance to traction	730N	1220N	730N	1220N

Technical characteristics	radio receiver: SMXI	radio receiver: SMXIS
Type	channel receiver for radio control devices	
Frequency	433.92MHz	
Coding	Digital Rolling with 52 Bit code, FLOR type	Digital Rolling code with 64 Bit code, SMILO type
Transmitter compatibility	FLOR, VERY VR; only single group: ERGO, PLANO, PLANOTIME	SMILO
Transmitters memorized	Up to 256 if memorized in mode I	
Input impedance	52Ω	
Sensitivity	better than 0.5μV	
Range of the transmitters	From 100 to 150 m. The range can vary if there are obstacles or electromagnetic disturbances, and is affected by the position of the receiving aerial	
Outputs	4 (on SM connector)	
Operating temperature	-10°C ÷ 55°C	

Technical characteristics	transmitter: FLO2R-S	transmitter: SM2
Type	2 channel transmitter for radio command	
Frequency	433.92MHz	
Coding	Digital Rolling code with 53 Bit code, FLOR type	Digital Rolling code with 64 Bit code, SMILO type
Buttons	2	
Power supply	12Vdc with 23A battery	
Absorption	25mA	
Battery life	1 year, estimated on the basis of 20 commands/day, each lasting 1s at 20°C (at low temperatures the efficiency of the batteries decreases)	
Irradiated power	100μW	
Dimensions and weight	72 x 40 h 18mm / 30g	Diameter 48 h14mm / 19g
Protection class	IP40 (suitable for use indoors or in protected environments)	
Operating temperature	-40°C ÷ 85°C	

## Instructions and Warnings for users of SPIN gearmotor

These instructions can be incorporated with the "Instructions and Warnings for the use of the automation" which the installer must give the owner of the automation, and must be incorporated by them.

GB

**Congratulations** for having chosen a Nice product for your automation system! Nice S.p.A. produces components for the automation of gates, doors, rolling gates, roller shutters and awnings: gearmotors, control units, radio controls, flashing lights, photocells and miscellaneous accessories. Nice uses only the finest materials and first-class workmanship. It focuses on the development of innovative solutions designed to simplify the use of its equipment, dedicating meticulous care to the study of its technical, aesthetic and ergonomic characteristics: From the wide range of Nice products, your installation technician will certainly have selected the one best suited to your specific requirements. However, Nice is not the producer of your automation system, which is rather the result of a combination of operations carried out by your installation technician, namely analysis, evaluation, selection of materials and system implementation. Each automation system is unique. Your installation technician is the only person who possesses the experience and professionalism needed to set up a system capable of satisfying your requirements, a system that is safe, reliable, long lasting and built in accordance with the regulations in force. An automation system is not only very convenient; it also improves the level of security in your home. Moreover, it will last for years with very little maintenance. Even though the automation system you possess meets the safety requirements of the legislation in force, this does not exclude the existence of a "residual risk", i.e. the possibility that dangers may arise, usually as a result of improper or unreasonable use. We have prepared the following list of do's and don'ts to help you avoid any mishaps:

- **Before using your automation system for the first time**, ask the installer to explain the origin of any residual risks; take a few minutes and read the users **instructions manual given you by the installer**. Retain the manual for future use and deliver it to any subsequent owner of the automation system.

- **Your automation system is a machine that will faithfully execute your commands**; unreasonable or improper use may generate dangers: do not operate the system if there are people, animals or objects within its range of operation.

- **Children**: automation systems are designed to guarantee high levels of safety and security. They are equipped with detection devices that prevent movement if people or objects are in the way, guaranteeing safe and reliable activation. However, children should not be allowed to play in the vicinity of automated systems; to prevent any accidental activations, keep all remote controls away from children: **they are not toys!**

- **Malfunctions**: If you notice that your automation is not functioning properly, disconnect the power supply to the system and operate the manual release device. Do not attempt to make any repairs; call the installation technician and, in the meantime, operate the system like a non-automatic door after releasing the gearmotor as described below.

- **Maintenance**: Like any machine, your automation needs regular periodic maintenance to ensure its long life and total safety. Arrange a periodic maintenance schedule with your installation technician. Nice recommends that maintenance checks be carried out every six months for normal domestic use, but this interval may vary depending on the intensity of use. Only qualified personnel are authorized to carry out checks, maintenance operations and repairs.

- Do not modify the system or its programming and adjustment parameters in any way, even if you feel capable of doing it: your installation technician is responsible for the system.

- The final test, the periodic maintenance operations and any repairs must be documented by the person who has performed them; these documents must remain under the custody of the owner of the system.

**The only recommended maintenance** operations that the user can perform periodically concern the cleaning of the photocell glasses and the removal of leaves and debris that may impede the automation. To prevent anyone from activating the door **release the automation system** (as described below). Use a slightly damp cloth to

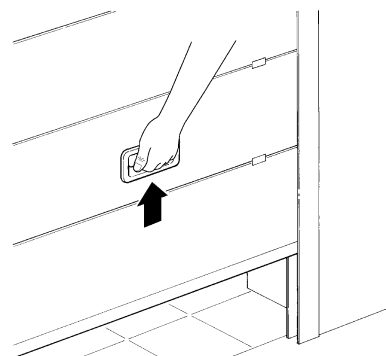
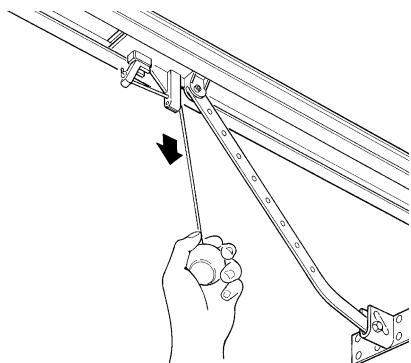
- **Disposal**: At the end of its useful life, the automation must be dismantled by qualified personnel, and the materials must be recycled or disposed of in compliance with the legislation locally in force.

- **In the event of malfunctions or power failures**. While you are waiting for the technician to come (or for the power to be restored if your system is not equipped with buffer batteries), you can operate the system like any non-automatic door. In order to do this you need to manually release the gearmotor (this operation is the only one that the user of the automation is authorized to perform): This operation has been carefully designed by Nice to make it extremely easy, without any need for tools or physical exertion.



**Manual movement and release:** before carrying out this operation please note that release can only occur when the door is stopped.

1. Pull the release cord down until you hear the release of the carriage.
2. The door can now be moved manually
3. To restore automation operation return the door to the initial position until you hear the carriage engage.



**Control with safety devices out of order:** If the safety devices are malfunctioning, it is still possible to control the door.

- Operate the door control device (remote control or key-operated selector switch etc.). If the safety devices enable the operation, the door will open and close normally, otherwise the flashing light flashes a few times but the manoeuvre does not start (the number of flashes depends on the reason why the manoeuvre is not enabled).
- In this case, **actuate** the control again within 3 seconds and **keep it actuated**.
- After approximately 2s the door will start moving in the “man present” mode, i.e. so long as the control is maintained the door will keep moving; as soon as the control is released the door will stop.

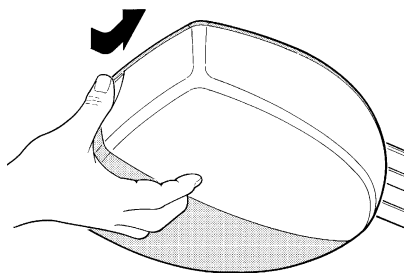
**If the safety devices are out of order the automation must be repaired as soon as possible.**

**Replacing the Remote Control Battery:** if your radio control, after a period of time, seems not to work as well, or not to work at all, it may simply be that the battery is exhausted (depending on the type of use, it may last from several months up to one year and more). In this case you will see that the light confirming the transmission is weak, or does not come on, or comes on only briefly. Before calling the installation technician try exchanging the battery with one from another operating transmitter: if the problem is caused by a low battery, just replace it with another of the same type.

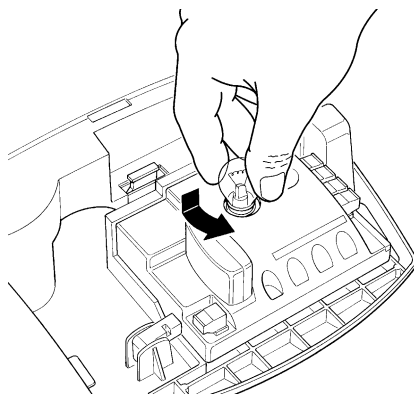
**WARNING:** The batteries contain polluting substances: do not dispose of them together with other waste but use the methods established by local regulations.

**Lamp replacement:** before proceeding, disconnect SPIN from the power supply.

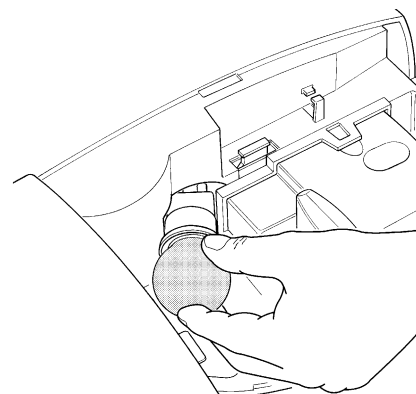
1. Press the white cover and turn to remove.



2. For SN6021: push the lamp up and rotate to remove. Insert a new 12V / 21W lamp with BA15 fitting.



3. For SN6031 and SN6041: unscrew the faulty lamp. Insert a new 230V / 60W lamp with E27 fitting.



**Are you satisfied?** If you wish to install another automation system in your home, call your old installation technician and use Nice products. You will get the services of a specialist and the most advanced products available on the market, superior performances and maximum system compatibility.

Thank you for reading these instructions. We feel confident that you will be well satisfied with your new system: for any present or future requirements, please contact your reliable installation technician.



# Spin

<b>Indice:</b>	<b>pag.</b>				
<b>1</b>	Avvertenze	31	<b>6</b>	Manutenzione e smaltimento	44
<b>2</b>	Descrizione prodotto	31	<b>6.1</b>	Manutenzione	44
<b>2.1</b>	Limiti d'impiego	32	<b>6.2</b>	Smaltimento	44
<b>2.2</b>	Impianto tipico	33	<b>7</b>	Approfondimenti	45
<b>2.3</b>	Elenco cavi	33	<b>7.1</b>	Tasti di programmazione	45
<b>3</b>	Installazione	34	<b>7.2</b>	Programmazioni	45
<b>3.1</b>	Verifiche preliminari	34	<b>7.2.1</b>	Funzioni primo livello (funzioni ON-OFF)	45
<b>3.2</b>	Fissaggio SPIN	34	<b>7.2.2</b>	Programmazione primo livello (funzioni ON-OFF)	46
<b>3.2.1</b>	Assemblaggio guida in dotazione a SPIN20KCE, SPIN30 e SPIN40	35	<b>7.2.3</b>	Funzioni secondo livello (parametri regolabili)	46
<b>3.2.2</b>	Assemblaggio guida SNA5	35	<b>7.2.4</b>	Programmazione secondo livello (parametri regolabili)	46
<b>3.2.3</b>	Assemblaggio guida SNA6	35	<b>7.2.5</b>	Esempio di programmazione primo livello (funzioni ON-OFF)	47
<b>3.2.4</b>	Fissaggio del motoriduttore alla guida	36	<b>7.2.6</b>	Esempio di programmazione secondo livello (parametri regolabili)	47
<b>3.2.5</b>	Fissaggio del motoriduttore	36	<b>7.3</b>	Aggiunta o rimozione dispositivi	47
<b>3.3</b>	Installazione dei vari dispositivi	38	<b>7.3.1</b>	BlueBUS	47
<b>3.4</b>	Collegamenti elettrici	38	<b>7.3.2</b>	Ingresso STOP	48
<b>3.5</b>	Descrizione dei collegamenti elettrici	39	<b>7.3.3</b>	Fotocelle	48
<b>4</b>	Verifiche finali ed avviamento	39	<b>7.3.4</b>	Apprendimento altri dispositivi	49
<b>4.1</b>	Allacciamento dell'alimentazione	39	<b>7.4</b>	Funzioni particolari	49
<b>4.2</b>	Apprendimento dei dispositivi	40	<b>7.4.1</b>	Funzione Apri sempre	49
<b>4.3</b>	Apprendimento delle posizioni di apertura e chiusura del portone	40	<b>7.4.2</b>	Funzione Muovi comunque	49
<b>4.4</b>	Verifica del movimento del portone	40	<b>7.5</b>	Collegamento altri dispositivi	49
<b>4.5</b>	Funzioni preimpostate	41	<b>7.6</b>	Risoluzione dei problemi	50
<b>4.6</b>	Ricevitore radio	41	<b>7.7</b>	Diagnostica e segnalazioni	50
<b>4.6.1</b>	Memorizzazione dei trasmettitori	41	<b>7.7.1</b>	Segnalazione con lampeggiante e luce di cortesia	50
<b>4.6.2</b>	Memorizzazione modo I	42	<b>7.7.2</b>	Segnalazioni sulla centrale	51
<b>4.6.3</b>	Memorizzazione modo II	42	<b>7.8</b>	Accessori	52
<b>4.6.4</b>	Memorizzazione a distanza	42	<b>8</b>	Caratteristiche tecniche	53
<b>4.6.5</b>	Cancellazione dei trasmettitori radio	43		Istruzioni ed avvertenze destinate all'utilizzatore del motoriduttore SPIN	55
<b>4.6.6</b>	Dichiarazione di conformità ricevitore e trasmettitori radio	43			
<b>5</b>	Collaudo e messa in servizio	43			
<b>5.1</b>	Collaudo	43			
<b>5.2</b>	Messa in servizio	44			

## 1) Avvertenze

Questo manuale di istruzioni contiene importanti informazioni riguardanti la sicurezza per l'installazione, è necessario leggere tutte le istruzioni prima di procedere all'installazione. Conservare con cura questo manuale anche per utilizzi futuri.

Nel presente manuale quando verranno riportati dati, avvertenze, e quant'altro comuni a tutti i prodotti si utilizzerà il nome della linea: "SPIN". La descrizione dei singoli prodotti è presente nel capitolo "2 Descrizione prodotto".

Considerando i pericoli che si possono verificare durante l'installazione e l'uso di SPIN, per la massima sicurezza è necessario che l'installazione avvenga nel pieno rispetto di leggi, norme e regolamenti. In questo capitolo verranno riportate avvertenze di tipo generico; altre importanti avvertenze sono presenti nei capitoli "3.1 Verifiche preliminari"; "5 Collaudo e messa in servizio".

**⚠ Secondo la più recente legislazione europea, la realizzazione di una porta o cancello automatico ricade in quanto previsto dalla Direttiva 98/37/CE (Direttiva Macchine) e nel particolare, alle norme: EN 12445; EN 12453 ed EN 12635, che consentono di dichiarare la presunzione di conformità.**

Ulteriori informazioni, linee guida all'analisi dei rischi ed alla realizzazione del Fascicolo Tecnico, sono disponibili su: "www.niceforyou.com".

- Il presente manuale è destinato solamente al personale tecnico qualificato per l'installazione. Salvo lo specifico allegato da staccare a cura dell'installatore "Istruzioni ed avvertenze destinate all'utilizzatore del motoriduttore SPIN" nessuna altra informazione contenuta nel presente fascicolo può essere considerata d'interesse per l'utilizzatore finale!
- L'uso diverso di SPIN da quanto previsto in queste istruzioni è vietato; usi impropri possono essere causa di pericoli o danni a persone e cose.

- Prima di iniziare l'installazione è necessario eseguire analisi dei rischi che comprendente l'elenco dei requisiti essenziali di sicurezza previsti nell'allegato I della Direttiva Macchine, indicando le relative soluzioni adottate. Si ricorda che l'analisi dei rischi è uno dei documenti che costituiscono il "fascicolo tecnico" dell'automazione.
- Verificare la necessità di ulteriori dispositivi per completare l'automazione con SPIN in base alla specifica situazione d'impiego ed ai pericoli presenti; devono essere considerati ad esempio i rischi di impatto, schiacciamento, cesoiamento, convogliamento, ecc., ed altri pericoli in genere.
- Non eseguire modifiche su nessuna parte se non previste nelle presenti istruzioni; operazioni di questo tipo possono solo causare malfunzionamenti; NICE declina ogni responsabilità per danni derivati da prodotti modificati.
- Durante l'installazione e l'uso evitare che parti solide o liquidi possano penetrare all'interno della centrale e di altri dispositivi aperti; eventualmente rivolgersi al servizio di assistenza NICE; l'uso di SPIN in queste situazioni può causare situazioni di pericolo.
- L'automatismo non può essere utilizzato prima di aver effettuato la messa in servizio come specificato nel capitolo: "5 Collaudo e messa in servizio".
- Il materiale dell'imballaggio di SPIN deve essere smaltito nel pieno rispetto della normativa locale.
- Nel caso di guasto non risolvibile facendo uso delle informazioni riportate nel presente manuale, interpellare il servizio di assistenza NICE.
- Qualora si verificano interventi di interruttori automatici o di fusibili, prima di ripristinarli è necessario individuare ed eliminare il guasto.
- Prima di accedere ai morsetti interni al coperchio di SPIN scollegare tutti i circuiti di alimentazione; se il dispositivo di sconnessione non è a vista apporvi un cartello: "ATTENZIONE MANUTENZIONE IN CORSO".

## 2) Descrizione prodotto

SPIN è una linea di motoriduttori destinati all'automazione di portoni sezionali e con l'apposito accessorio SPA5, non fornito, portoni basculanti a molle o a contrappesi, sia debordanti che non.

I collegamenti elettrici verso i dispositivi esterni sono semplificati grazie all'uso di "BlueBUS", una tecnica che permette di collegare più dispositivi con soli 2 fili.

SPIN funzionano mediante energia elettrica, in caso di mancanza di

alimentazione dalla rete elettrica, è possibile effettuare lo sblocco del motoriduttore e muovere manualmente il portone. Nelle versioni che lo permettono è possibile utilizzare l'accessorio batteria tampone PS124 che permette alcune manovre anche in assenza di alimentazione da rete.

Della linea SPIN fanno parte i prodotti descritti in tabella N°1 e 2.

**Tabella N°1: descrizione composizione SPIN**

Modello tipo	Motoriduttore	Guida	Ricevitore radio	Trasmettitore radio
SPIN20KCE	SN6021	3x1m	SMXI	FLO2R-S
SPIN21KCE	SN6021	3m	SMXI	FLO2R-S
SPIN30	SN6031	3x1m	---	---
SPIN40	SN6041	3x1m	---	---
SN6031	SN6031	---	---	---
SN6041	SN6041	---	---	---

SN6031 deve essere completato con le guide SNA5 (3m) oppure SNA6 (3m + 1m).

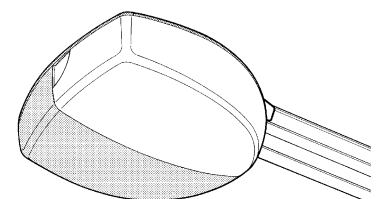
SN6041 deve essere completato con la guida SNA6 (3m + 1m).

SPIN30; SPIN40; SN6031 e SN6041 possono essere completati con i ricevitori radio SMXI oppure SMXIS ed i relativi trasmettitori radio.

**Tabella N°2: comparazione caratteristiche essenziali motoriduttori SPIN**

Motoriduttore tipo	SN6021	SN6031	SN6041
Coppia massima (corrispondenti a forza massima)	11.7 Nm (650N)	11.7 Nm (650N)	18 Nm (1000N)
Riduzione consumo in Stand-By	No	Si	Si
Unità BlueBus massime	2	6	6
Alimentazione di emergenza	No	con PS124	con PS124
Luce di cortesia (attacco lampada)	12V - 21W (BA15)	230V* - 60W (E27)	230V* - 60W (E27)

\* 120V nelle versioni SPIN/V1



1

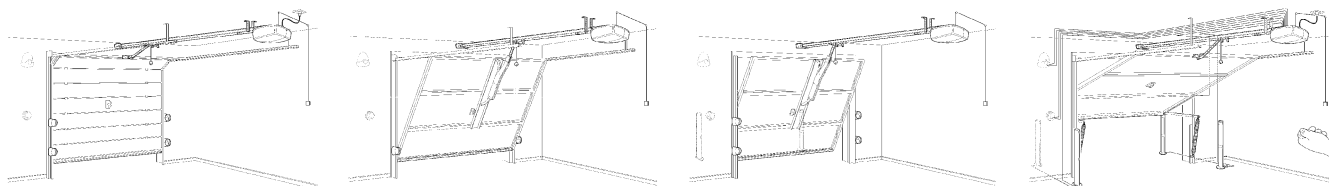
## 2.1) Limiti d'impiego

I dati relativi alle prestazioni dei prodotti della linea SPIN sono riportati nel capitolo "8 Caratteristiche tecniche" e sono gli unici valori che consentono la corretta valutazione dell'idoneità all'uso.

Le caratteristiche strutturali dei prodotti SPIN li rendono adatti all'uso su portoni di tipo sezionale o basculante, secondo i limiti riportati nelle tabelle N°3, 4 e 5.

**Tabella N°3: limiti d'impiego motoriduttori SPIN**

Modello tipo:	Portone SEZIONALE		Portone BASCULANTE non debordante (con accessorio SPA5)		Portone BASCULANTE debordante (con accessorio SPA5) o a molle (senza SPA5)	
	Altezza	Larg.	Altezza	Larg.	Altezza	Larg.
SPIN20KCE	2.4m	4.4m	2.2m	4.2m	2.8m	4.2m
SPIN21KCE	2.4m	4.4m	2.2m	4.2m	2.8m	4.2m
SPIN30	2.4m	4.4m	2.2m	4.2m	2.8m	4.2m
SPIN40	2.4m	5.2m	2.2m	4.2m	2.8m	4.2m
SN6031 (SNA5)	2.4m	4.4m	2.2m	4.2m	2.8m	4.2m
SN6031 (SNA6)	3.4m	3.1m	3.2m	2.9m	3.5m	3.4m
SN6041 (SNA6)	3.4m	5.2m	3.2m	4.2m	3.5m	4.2m



Le misure in tabella N°3 sono puramente indicative e servono solo per una stima di massima. La reale idoneità di SPIN ad automatizzare un determinato portone dipendono dal grado di bilanciamento dell'anta; dagli attriti delle guide e da altri fenomeni, anche occasionali, come la pressione del vento o la presenza di ghiaccio che potrebbero ostacolare il movimento dell'anta.

Per una verifica reale è assolutamente indispensabile misurare la forza necessaria per muovere l'anta in tutta la sua corsa e controllare che questa non superi la "coppia nominale" riportata nel capitolo "8 Caratteristiche tecniche"; inoltre per stabilire il numero di cicli/ora e cicli consecutivi occorre considerare quanto riportato nelle tabelle N°4 e N°5.

**Tabella N°4: limiti in relazione all'altezza dell'anta**

Altezza anta metri	cicli/ora massimi	cicli consecutivi massimi
Fino a 2	20	10
2÷2,5	15	7
2,5÷3	12	5
3÷3,5	10	4

**Tabella N°5: limiti in relazione alla forza necessaria a muovere a l'anta**

Forza per muovere l'anta N	Percentuale riduzione cicli	
	SN6021 - SN6031	SN6041
Fino a 250	100%	100%
250÷400	70%	90%
400÷500	25%	70%
500÷650	---	40%
650÷850	---	25%

L'altezza del portone permette di determinare il numero massimo di cicli per ora e di cicli consecutivi mentre la forza necessaria a muoverla permette di determinare la percentuale di riduzione dei cicli; ad esempio, se l'anta è alta 2,2m sarebbero possibili 15 cicli/ora e 7 cicli consecutivi ma se per muovere l'anta sono necessari 300N, utilizzando il motoriduttore SN6021 occorre ridurli a 70%, il risultato è quindi 10 cicli/ora e circa 5 cicli consecutivi.

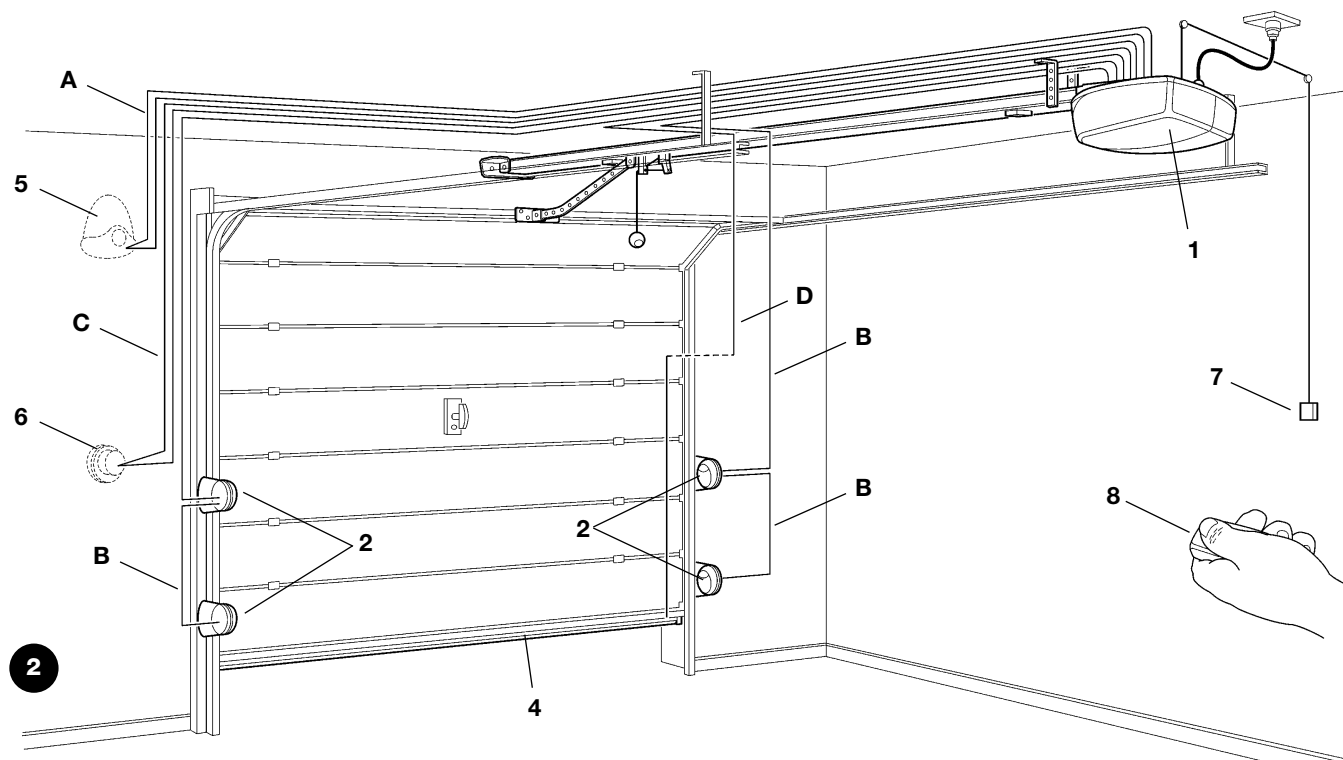
Per evitare surriscaldamenti la centrale prevede un limitatore che si basa sullo sforzo del motore e la durata dei cicli, intervenendo quando viene superato il limite massimo.

**Nota:** 1Kg = 9.81N quindi, ad esempio, 500N = 51Kg



## 2.2) Impianto tipico

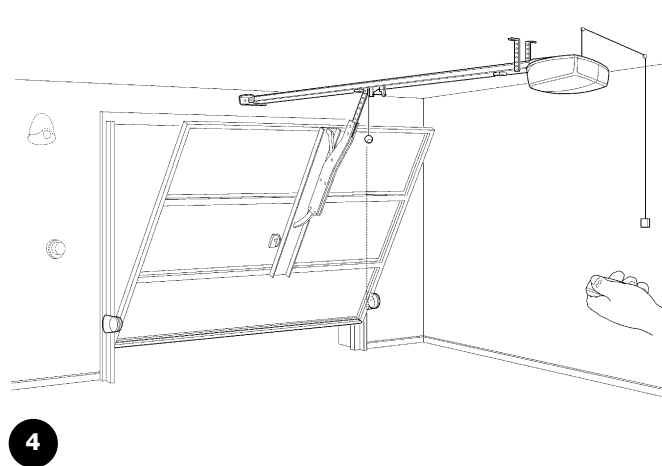
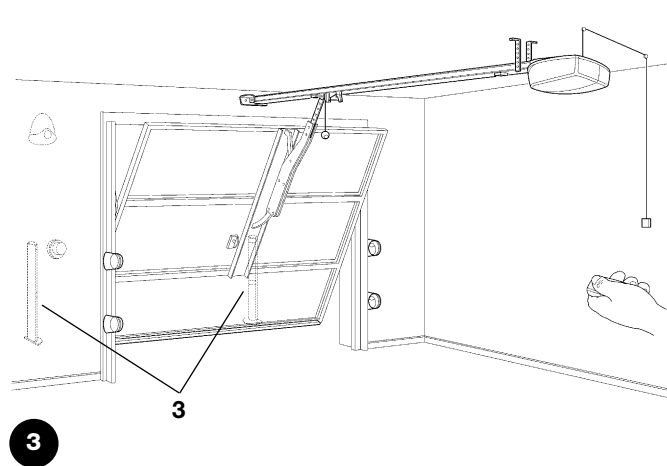
Nella figura 2 è riportata l'installazione tipica per un portone di tipo sezionale.



- |                                     |  |                       |
|-------------------------------------|--|-----------------------|
| 1 SPIN                              | 4 Bordo primario                       | 6 Selettore a chiave  |
| 2 Fotocellule                       | 5 Lampeggiante con antenna incorporata | 7 Cordino funzione PP |
| 3 Fotocellule su colonnina (fig. 3) |  | 8 Trasmettitore radio |

Nelle figure 3, 4 sono riportate le installazioni tipiche per un portone basculante debordante e non debordante.

**⚠ Per installazioni su portoni basculanti è necessario l'accessorio SPA5.**



## 2.3) Elenco cavi

Nell'impianto tipico di figura 2 sono indicati anche i cavi necessari per i collegamenti dei vari dispositivi; in tabella N°6 sono indicate le caratteristiche dei cavi.

**⚠ I cavi utilizzati devono essere adatti al tipo di installazione; ad esempio si consiglia un cavo tipo H03VV-F se posato all'interno.**

**Tabella N°6: elenco cavi**

Collegamento	Tipo cavo	Lunghezza massima consentita
A: Lampeggiante con antenna	N°1 cavo 2x0,5mm <sup>2</sup> N°1 cavo schermato tipo RG58	20m 20m (consigliato minore di 5m)
B: Fotocellule	N°1 cavo 2x0,5mm <sup>2</sup>	30m
C: Selettore a chiave	N°2 cavi 2x0,5mm <sup>2</sup> (nota 1)	50m
D: Bordo sensibile primario	N°1 cavo 2x0,5mm <sup>2</sup> (nota 2-3)	30m

**Nota 1:** i due cavi 2x0,5mm<sup>2</sup> possono essere sostituiti da un solo cavo 4x0,5mm<sup>2</sup>.

**Nota 2:** se è presente più di un bordo vedere il paragrafo "7.3.2 Ingresso STOP" per il tipo di collegamento consigliato

**Nota 3:** per il collegamento dei bordi su portoni occorre utilizzare opportuni accorgimenti che permettono la connessione anche con l'anta in movimento.

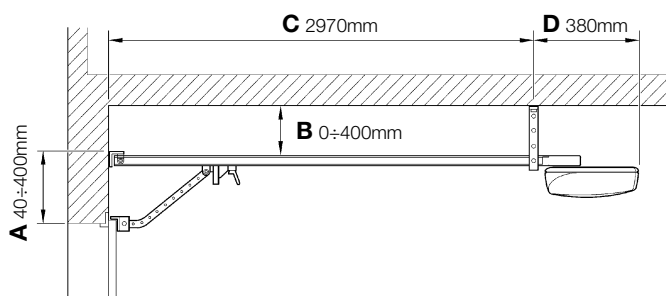
### 3) Installazione

**⚠** L'installazione di SPIN deve essere effettuata da personale qualificato, nel rispetto di leggi, norme e regolamenti e di quanto riportato nelle presenti istruzioni.

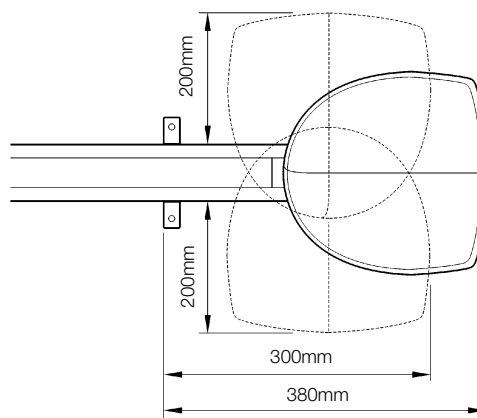
#### 3.1) Verifiche preliminari

Prima di procedere con l'installazione di SPIN è necessario eseguire questi controlli:

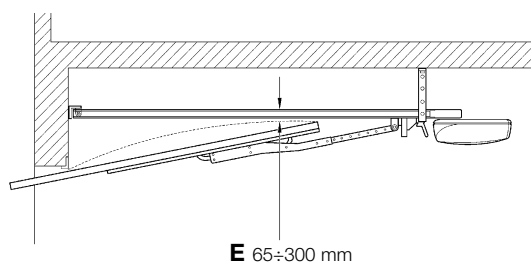
- Verificare che tutto il materiale da utilizzare sia in ottimo stato, adatto all'uso e conforme alle norme.
- Verificare che la struttura del portone sia adatta ad essere automatizzata.
- Verificare che il portone abbia forza e dimensioni che rientrino nei limiti di impiego riportati nel paragrafo "2.1 Limiti d'impiego".
- Verificare, confrontando con i valori riportati nel capitolo "8 Caratteristiche tecniche", che l'attrito statico (cioè la forza necessaria per mettere in movimento l'anta) sia inferiore a metà della "Coppia massima" e che l'attrito dinamico (cioè la forza necessaria per mantenere in movimento l'anta) sia inferiore a metà della "Coppia nominale"; viene consigliato un margine del 50% sulle forze perché le condizioni climatiche avverse possono far aumentare gli attriti.
- Verificare che nella corsa del portone, sia in chiusura che in apertura, non ci siano punti di maggiore attrito.
- Verificare la robustezza degli arresti meccanici e controllare che non vi sia pericolo di uscita dalle guide del portone.
- Verificare che il portone sia ben bilanciato, cioè non deve muoversi se lasciato fermo in una qualsiasi posizione.
- Verificare che i punti di fissaggio dei vari dispositivi (fotocellule, pulsanti, ecc...) siano in zone protette da urti e le superfici di fissaggio siano sufficientemente solide.
- Verificare che vi siano gli spazi minimi e massimi riportati nelle figure 5 e 6
- Evitare che le parti dell'automatismo possano venir immerse in acqua o in altre sostanze liquide
- Non tenere i componenti di SPIN vicino a fonti di calore né esporlo a fiamme; tali azioni possono danneggiarlo ed essere causa di malfunzionamenti, incendio o situazioni di pericolo.
- Nel caso sia presente un porta di passaggio interna al portone, assicurarsi che non intralci la normale corsa, e nel caso provvedere con un sistema di interblocco opportuno.
- Se il portone da automatizzare è di tipo basculante verificare la quota E di figura 7, cioè la distanza minima tra il lato superiore della guida ed il punto massimo raggiunto dal bordo superiore del portone. Altrimenti SPIN non può essere montato.
- Collegare la spina di alimentazione di SPIN ad una presa elettrica dotata di messa a terra di sicurezza.
- La presa elettrica deve essere protetta da un adeguato dispositivo magnetotermico e differenziale.



5



6



7

#### 3.2) Fissaggio SPIN

Il fissaggio di SPIN si compone di 3 parti:

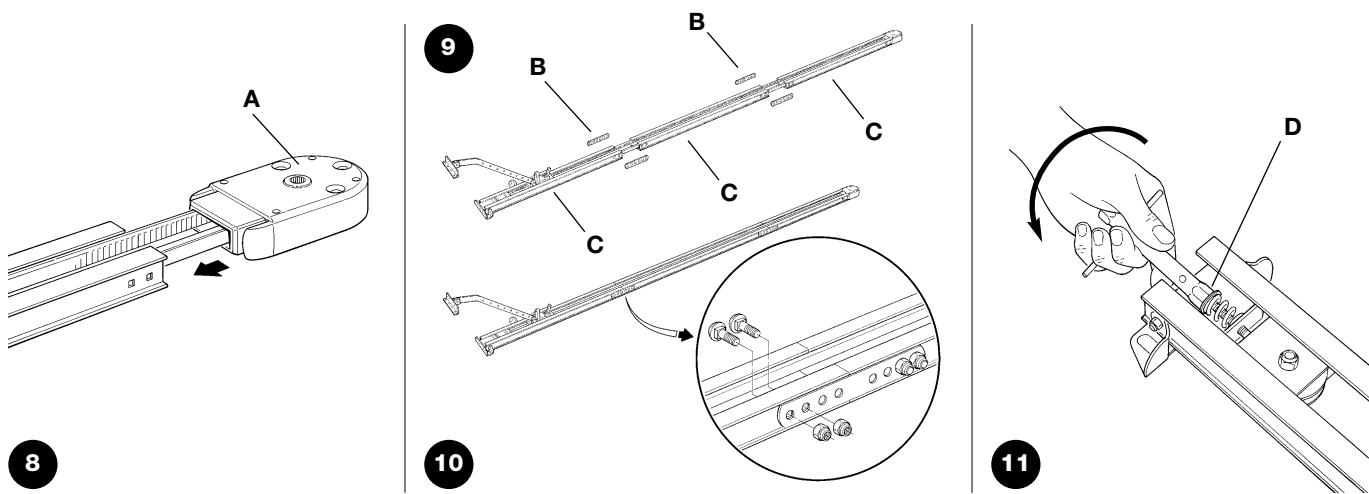
- Assemblaggio guida (vedere paragrafo 3.2.1 per guide in dotazione a SPIN20KCE, SPIN30 e SPIN40, paragrafo 3.2.2 per guida SNA5 e paragrafo 3.2.3 per guida SNA6)
- Fissaggio del motoriduttore alla guida (vedere paragrafo 3.2.4)
- Fissaggio del motoriduttore al soffitto (vedere paragrafo 3.2.5)

**⚠** Per SN6031 occorre disporre di una guida SNA5 oppure SNA6, mentre per SN6041 occorre disporre di una guida SNA6.

### 3.2.1) Assemblaggio guida in dotazione a SPIN20KCE, SPIN30 e SPIN40

La guida in dotazione a SPIN20KCE, SPIN30 e SPIN40 deve essere assemblata in questo modo:

1. Predisporre le tre parti che compongono la guida, in modo da poterle unire tra di loro. Fate attenzione alla posizione della cinghia: deve essere con i denti rivolti verso l'interno, dritta e senza attorcigliamenti.
2. Assemblare la testa della guida (A), come in figura 8. Questa operazione richiede una certa forza, eventualmente utilizzare un martello in gomma.
3. Con le staffe di giunzione (B), fissare tra di loro le tre parti (C), come in figura 9 e 10.
4. Tendere la cinghia tramite il dado M8 (D), come in figura 11, fino a sentirla sufficientemente rigida.



### 3.2.2) Assemblaggio guida SNA5

La guida SNA5 è già preassemblata. L'unica operazione da fare è tendere la cinghia tramite il dado M8 (D), come in figura 11, fino a sentirla sufficientemente rigida.

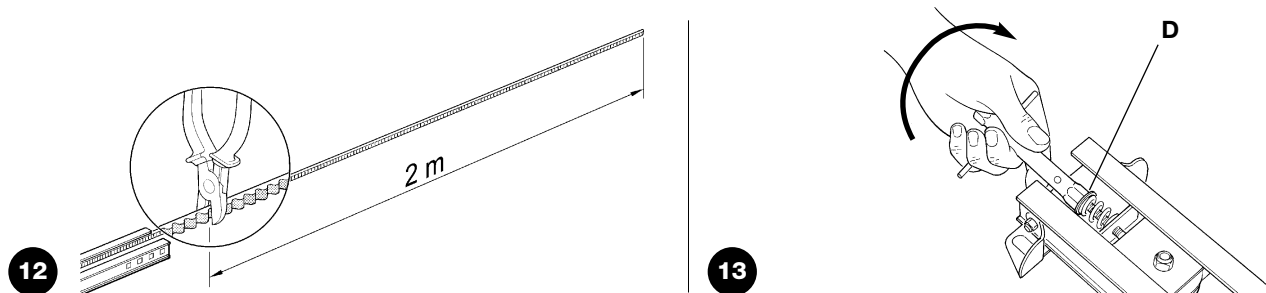
### 3.2.3) Assemblaggio guida SNA6

La guida SNA6 è composta da 2 profili: uno da 3m e l'altro da 1m, questo consente la realizzazione della guida in 2 versioni:

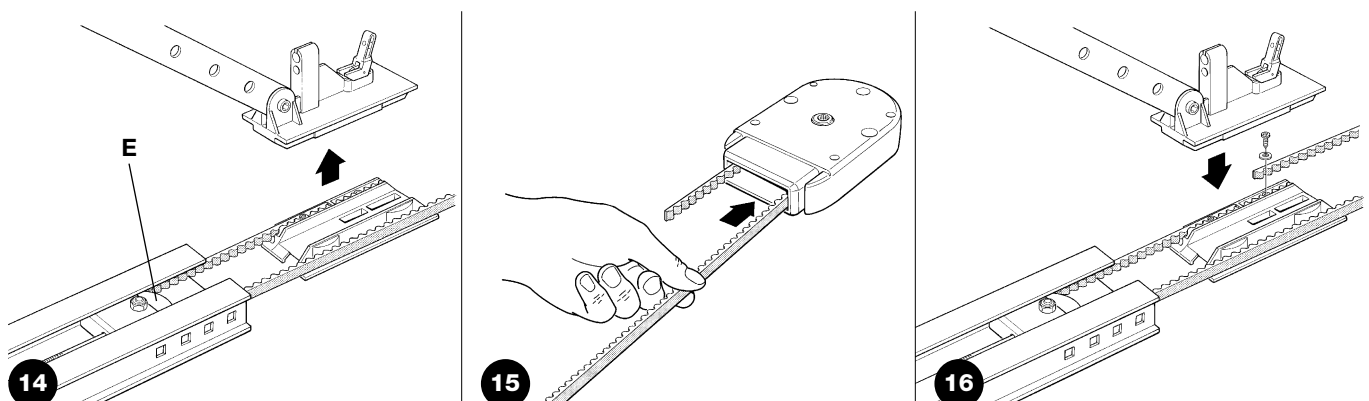
#### Versione da 3m

Se il portone da automatizzare ha un'altezza uguale o inferiore a 2,5m assemblare la guida in questo modo:

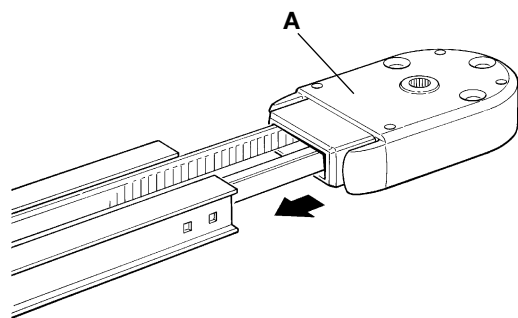
1. Tagliare la cinghia dall'estremità libera per una lunghezza di 2m esatti, come in figura 12.
2. Svitare completamente il dado M8 (D), come in figura 13.



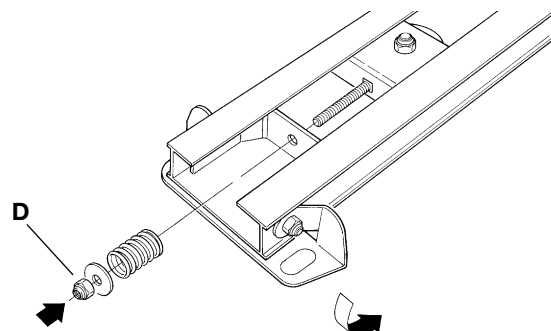
3. Far scorrere fino a metà guida il rinvio tendi cinghia (E), come in figura 14, ed estrarre completamente il carrello.
4. Fare passare l'estremità libera della cinghia attraverso la testata, come in figura 15, e fissarla al carrello tramite le viti e rondelle già presenti, come in figura 16. Fate attenzione alla posizione della cinghia: deve essere con i denti rivolti verso l'interno, dritta e senza attorcigliamenti.



5. Riportare nella posizione iniziale il rinvio tendi cinghia ed il carrello. Assemblare la testa della guida (A), come in figura 17. Questa operazione richiede una certa forza, eventualmente utilizzare un martello in gomma.
6. Inserire nella vite del rinvio tendi cinghia la molla, la rondella ed il dado M8 (D), come in figura 18.
7. Tendere la cinghia tramite il dado M8 (D) (figura 11) fino a sentirla sufficientemente rigida.



17

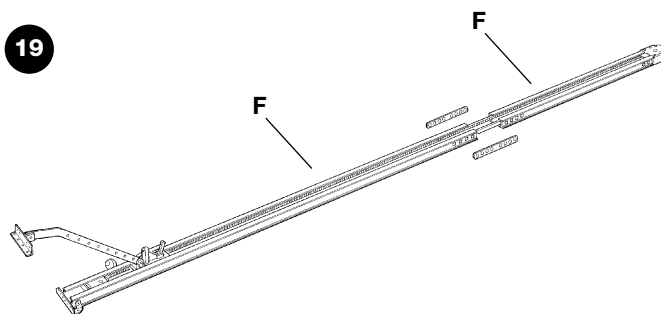


18

### Versione da 4m

Se il portone da automatizzare ha un'altezza superiore a 2,5m assemblare la guida in questo modo:

1. Svitare completamente il dado M8 (D), come in figura 13.
2. Far scorrere fino a metà guida il rinvio tendi cinghia (E), come in figura 14, ed estrarre completamente il carrello.
3. Fare passare l'estremità libera della cinghia attraverso la testata, come in figura 15, e fissarla al carrello tramite le viti e rondelle già presenti, come in figura 16. Fate attenzione alla posizione della cinghia: deve essere con i denti rivolti verso l'interno, dritta e senza attorcigliamenti.
4. Assemblare la testa della guida (A), come in figura 17. Questa operazione richiede una certa forza, eventualmente utilizzare un martello in gomma.
5. Con le staffe di giunzione (B), fissare tra di loro le due parti (F), come in figura 19.
6. Riportare nella posizione iniziale il rinvio tendi cinghia ed il carrello.

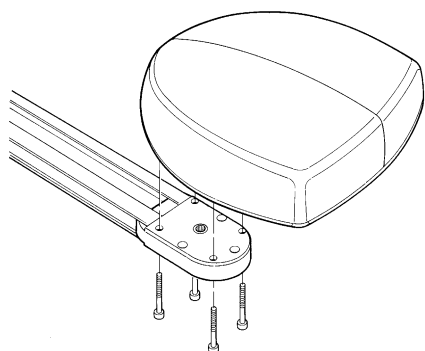


19

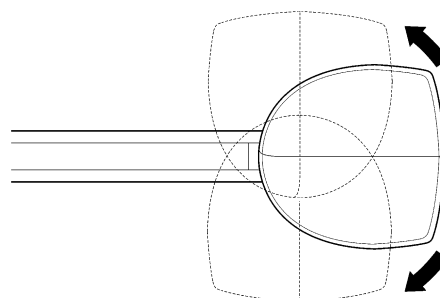
7. Inserire nella vite del rinvio tendi cinghia la molla, la rondella ed il dado M8 (D), come in figura 18.
8. Tendere la cinghia tramite il dado M8 (D) (figura 11) fino a sentirla sufficientemente rigida.

### 3.2.4) Fissaggio del motoriduttore alla guida

1. Unire il motoriduttore SPIN con la testa della guida (A); quindi fissarlo tramite le 4 viti V6.3x38, come in figura 20.
2. Il motore può essere ruotato in tre diverse posizioni, come in figura 21.



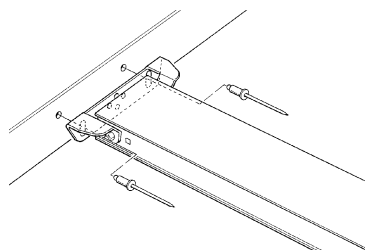
20



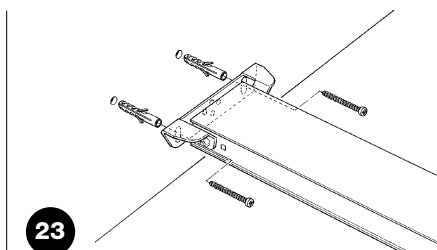
21

### 3.2.5) Fissaggio del motoriduttore al soffitto

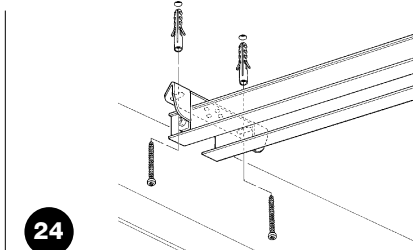
1. Rispettando le quote A, B di figura 5, tracciare al centro del portone i due punti di fissaggio della staffa anteriore della guida. In base al tipo di materiale, la staffa anteriore può essere fissata con rivetti, tasselli o viti (figure 22, 23). Se le quote A, B (figura 5) lo consentono, la staffa può essere fissata direttamente al soffitto, come in figura 24.



22

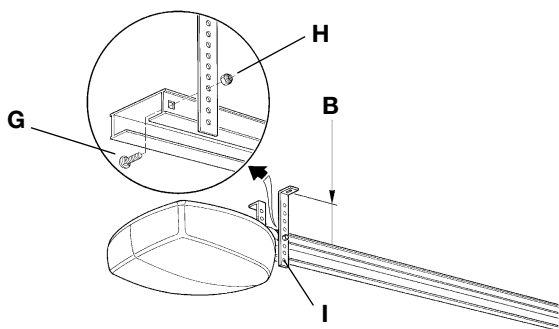


23

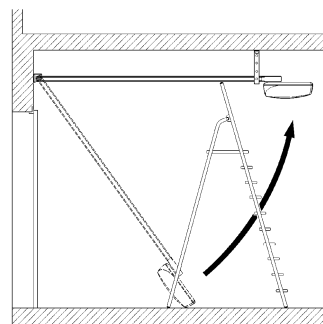


24

2. Dopo avere forato nei punti previsti, lasciando il motoriduttore a terra, sollevare la guida dalla parte anteriore e fissarla con due viti, tasselli o rivetti a seconda della superficie.
3. Fissare le staffe (I) tramite le viti M6x15 (G) ed i dadi M6 (H) scegliendo il foro che consenta di rispettare il più possibile la quota B, come in figura 25.
4. Utilizzando una scala, sollevare il motoriduttore fino ad appoggiare le staffe al soffitto. Tracciare i punti di foratura, quindi riportare il motoriduttore a terra, come in figura 26.

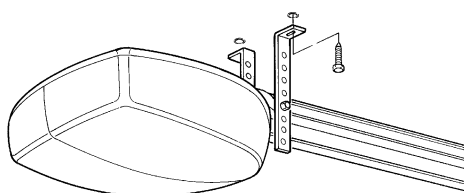


25

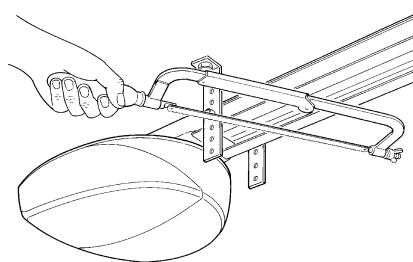


26

5. Forare nei punti tracciati, quindi, utilizzando una scala, sollevare il motoriduttore fino a fare appoggiare le staffe sui fori appena fatti e fissare utilizzando viti e tasselli adatti al materiale, come in figura 27.
6. Verificare che la guida risulti perfettamente orizzontale, quindi tagliare con un seghetto la parte eccedente delle staffe, come in figura 28.

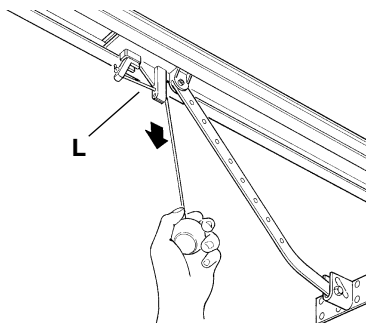


27

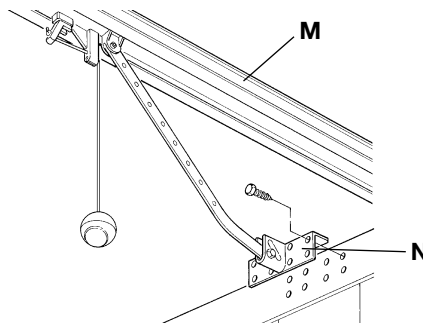


28

7. Con il portone chiuso tirare la cordicella per sganciare il carrello (L), come in figura 29.
8. Fare scorrere il carrello fino a portare la staffa di attacco anta (N) sul bordo superiore del portone, esattamente perpendicolare alla guida (M). Fissare poi la staffa attacco anta (N) con rivetti o viti, come in figura 30. Utilizzare viti o rivetti adeguati al materiale dell'anta verificando che siano in grado di supportare tutto lo sforzo necessario all'apertura e chiusura dell'anta stessa.

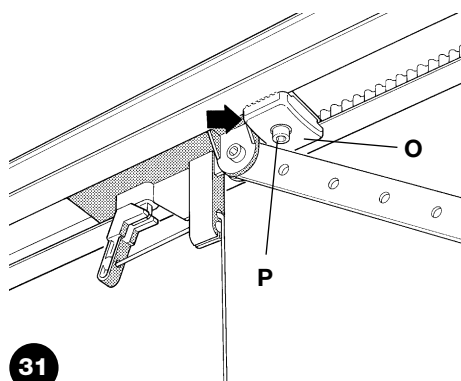


29

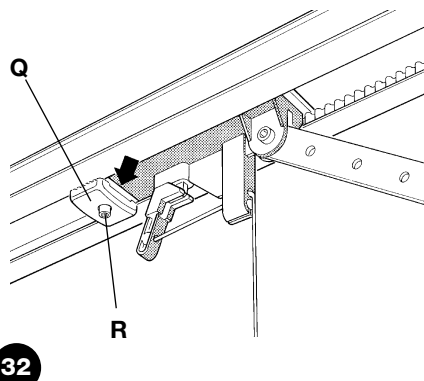


30

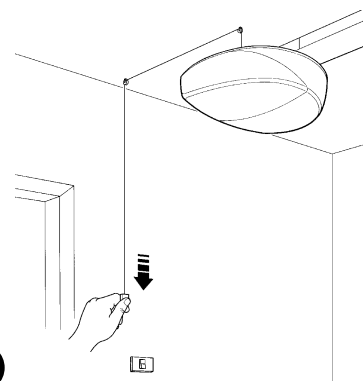
9. Allentare le viti dei due fermi meccanici d'arresto, quindi spostare il fermo meccanico di arresto anteriore (O) davanti al carrello, come in figura 31. Spingere il carrello con forza nella direzione di chiusura e, nella posizione raggiunta, stringere con forza la vite (P).
10. Aprire manualmente il portone fino al punto desiderato di apertura, spostare il fermo meccanico di arresto posteriore (Q), affiancarlo al carrello, come in figura 32 e bloccarlo stringendo con forza la vite (R).
11. Provare a muovere manualmente il portone. Verificare che il carrello scorra facilmente, senza attriti sulla guida e che la manovra manuale sia agevole senza richiedere sforzi particolari.
12. Posizionare il cordino di comando nel punto desiderato della stanza; eventualmente facendolo scorrere a soffitto tramite dei tasselli con occhiello, come in figura 33.



31



32



33

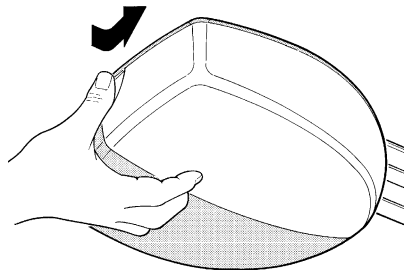
### 3.3) Installazione dei vari dispositivi

Effettuare l'installazione degli altri dispositivi previsti seguendo le rispettive istruzioni. Verificare nel paragrafo "3.5 Descrizione dei collegamenti elettrici" ed in figura 2 i dispositivi che possono essere collegati a SPIN.

### 3.4) Collegamenti elettrici

**⚠ Tutti i collegamenti elettrici devono essere eseguiti in assenza di tensione all'impianto e con l'eventuale batteria tampone scollegata.**

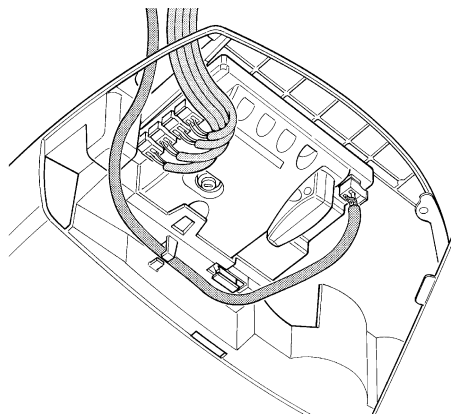
1. Per aprire il coperchio di protezione ed accedere alla centrale elettronica di controllo di SPIN occorre premere a lato e farlo ruotare come in figura 34.



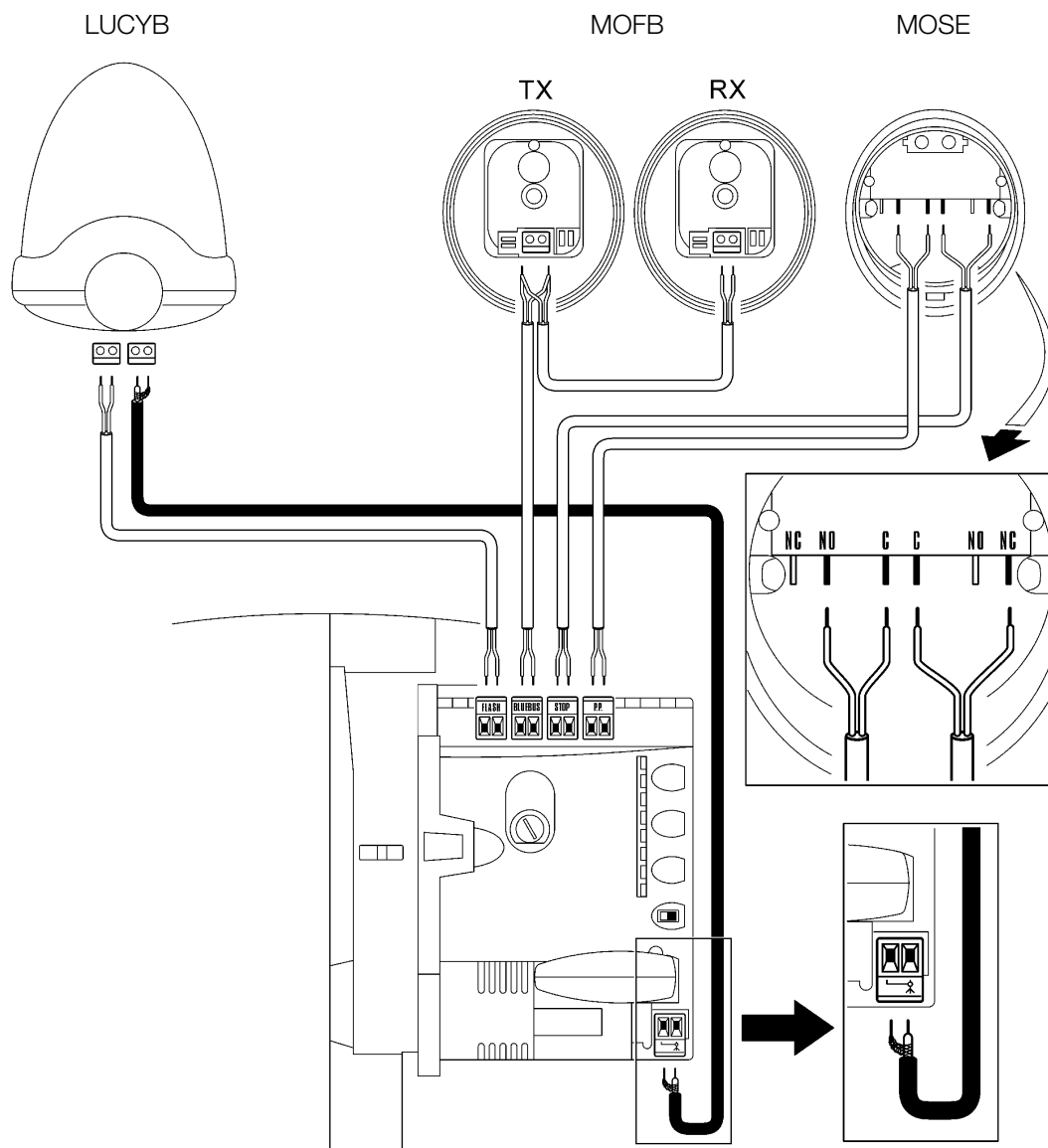
34

2. Far passare attraverso il foro i cavi di collegamento verso i vari dispositivi, lasciandoli 20÷30cm più lunghi del necessario. Far passare il cavo di antenna attraverso l'anello ferma cavi. Vedere tabella N°6 per il tipo di cavi e la figura 2 per i collegamenti.

3. Eseguire i collegamenti dei cavi secondo lo schema di figura 36. Per maggiore comodità i morsetti sono estraibili.



35

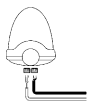


36

### 3.5) Descrizione dei collegamenti elettrici

In questo paragrafo c'è una breve descrizione dei collegamenti elettrici; ulteriori informazioni nel paragrafo "7.3 Aggiunta o rimozione dispositivi".

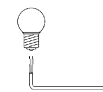
**FLASH:** questa uscita è programmabile (vedere paragrafo 7.2.4) per collegare uno fra i seguenti dispositivi:



#### Lampeggiante

Se programmata come "lampeggiante" sull'uscita "FLASH" è possibile collegare un lampeggiante NICE "LUCY B" con una lampadina a 12V 21W tipo auto.

Durante la manovra lampeggia con periodo 0.5s acceso e 0.5s spento.



#### Uscita "spia portone aperto"

Se programmata come "spia portone aperto" sull'uscita "FLASH" è possibile collegare una spia 24V max 5W per la segnalazione di portone aperto.

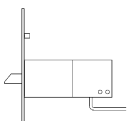
Rimane accesa quando il portone è aperto e spenta quando è chiuso. Durante la manovra la spia lampeggia lentamente in apertura e velocemente in chiusura.



#### Ventosa

Se programmata come "ventosa" sull'uscita "FLASH" è possibile collegare una ventosa 24V max 10W (versioni con solo elettromagnete, senza dispositivi elettronici).

Quando il portone è chiuso la ventosa viene attivata bloccando il portone. Durante la manovra di apertura o chiusura viene disattivata.



#### Elettroblocco

Se programmata come "elettroblocco" sull'uscita "FLASH" è possibile collegare un'elettroblocco con scrocco 24V max 10W (versioni con solo elettromagnete, senza dispositivi elettronici).

Durante la manovra di apertura l'elettroblocco viene attivato per un breve periodo per liberare il portone ed eseguire la manovra. Nella manovra di chiusura accertarsi che l'elettroblocco si riagganci meccanicamente.

**⚠ NON IMPIEGARE DISPOSITIVI DIVERSI DA QUELLI PREVISTI**

**BLUEBUS:** su questo morsetto si possono collegare i dispositivi compatibili; tutti vengono collegati in parallelo con soli due conduttori sui quali transita sia l'alimentazione elettrica che i segnali di comunicazione. Altre informazioni su BlueBUS sono presenti nel paragrafo "7.3.1 BlueBUS".

**STOP:** ingresso per dispositivi che bloccano o eventualmente arrestano la manovra in corso; con opportuni accorgimenti sull'ingresso è possibile collegare contatti tipo "Normalmente Chiuso", tipo "Normalmente Aperto" oppure dispositivi a resistenza costante. Altre informazioni su STOP sono presenti nel paragrafo "7.3.2 Ingresso STOP".

**PP:** ingresso per dispositivi che comandano il movimento; è possibile collegare contatti di tipo "Normalmente Aperto". L'attivazione del cordino di comando provoca un segnale all'ingresso di PP.

**ANTENNA:** ingresso di collegamento dell'antenna per ricevitore radio. L'antenna è incorporata su LUCY B, in alternativa è possibile utilizzare un'antenna esterna oppure lasciare lo spezzone di cavetto, che funziona da antenna, già presente nel morsetto.

## 4) Verifiche finali ed avviamento

Prima di iniziare la fase di verifica ed avviamento dell'automazione è consigliabile sganciare il carrello e porre il portone a metà corsa in modo che sia libero di muovere sia in apertura che in chiusura.

### 4.1) Allacciamento dell'alimentazione

Per l'alimentazione elettrica a SPIN è sufficiente inserire la sua spina in una presa di corrente. Eventualmente utilizzare un adattatore comunemente reperibile in commercio se la spina di SPIN non corrisponde alla presa disponibile.

**⚠ Non tagliare né rimuovere il cavo in dotazione a SPIN. Se non è disponibile la presa l'allacciamento dell'alimentazione a SPIN deve essere eseguito da personale esperto, qualificato, in possesso dei requisiti richiesti e nel pieno rispetto di leggi, norme e regolamenti.**

**La linea elettrica di alimentazione deve essere protetta contro il corto circuito e le dispersioni a terra; deve essere presente un dispositivo che permetta di staccare l'alimentazione durante l'installazione o la manutenzione di SPIN (la stessa spina più presa può andar bene).**

Non appena viene fornita tensione a SPIN è consigliabile fare alcune semplici verifiche:

1. Verificare che il led BlueBUS lampeggi regolarmente alla frequenza di un lampeggio al secondo.
2. Se presenti le fotocellule, verificare che lampeggino anche i led sulle fotocellule (sia su TX che su RX); non è significativo il tipo di lampeggio, dipende da altri fattori.
3. Verificare che il dispositivo collegato all'uscita FLASH sia spento.

4. Verificare che la luce di cortesia sia spenta.

Se tutto questo non avviene occorre spegnere immediatamente l'alimentazione alla centrale e controllare con maggiore attenzione i collegamenti elettrici.

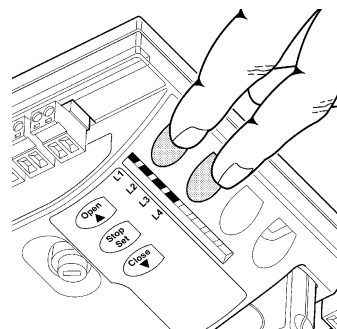
Altre informazioni utili per la ricerca e la diagnosi dei guasti sono presenti nel paragrafo "7.6 Risoluzione dei problemi".

#### 4.2) Apprendimento dei dispositivi

Dopo l'allacciamento dell'alimentazione occorre far riconoscere alla centrale i dispositivi collegati sugli ingressi BlueBUS e STOP.

Prima di questa fase i led L1 ed L2 lampeggiano per indicare che occorre eseguire l'apprendimento dei dispositivi.

**⚠ La fase di apprendimento dei dispositivi deve essere eseguita anche se non c'è nessun dispositivo collegato.**



37

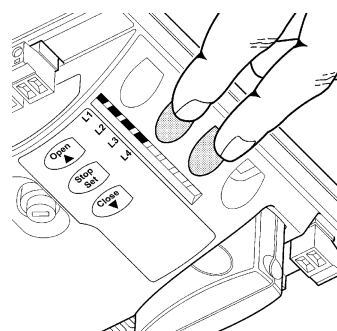
1. Premere e tenere premuti i tasti **[s]** e **[Set]**
2. Rilasciare i tasti quando i led L1 e L2 iniziano a lampeggiare molto velocemente (dopo circa 3s)
3. Attendere alcuni secondi che la centrale finisca l'apprendimento dei dispositivi
4. Al termine dell'apprendimento il led STOP deve rimanere acceso, i led L1 e L2 si spegneranno (eventualmente inizieranno a lampeggiare i led L3 e L4)

La fase di apprendimento dispositivi collegati può essere rifatta in qualsiasi momento anche dopo l'installazione per esempio se venisse aggiunto un dispositivo; per effettuare il nuovo apprendimento vedere paragrafo "7.3.4 Apprendimento altri dispositivi"

#### 4.3) Apprendimento delle posizioni di apertura e chiusura del portone

Dopo l'apprendimento dei dispositivi è necessario far riconoscere alla centrale le posizioni di apertura e chiusura del portone. In questa fase viene rilevata la corsa del portone dal fermo meccanico di arresto di chiusura a quello di apertura.

Verificare che la cinghia di trascinamento sia ben tesa e che i due fermi meccanici siano ben bloccati.



38

1. Agganciare il carrello.
2. Premere e tenere premuti i tasti **[t]** e **[Set]**
3. Rilasciare i tasti quando inizia la manovra (dopo circa 3s)
4. Attendere che la centrale esegua la fase di apprendimento: chiusura, apertura e richiusura del portone.
5. Tirare il cordino di comando per eseguire una manovra completa di apertura.
6. Tirare nuovamente il cordino di comando per eseguire la chiusura.

Durante queste manovre la centrale memorizza la forza necessaria nei movimenti di apertura e chiusura.

Se al termine dell'apprendimento i LED L3 e L4 lampeggiano significa che c'è un errore; vedere il paragrafo "7.6 Risoluzioni dei problemi".

**E' importante che queste prime manovre non vengano interrotte, es. da un comando di STOP.**

**Se ciò dovesse avvenire occorre eseguire nuovamente l'apprendimento dal punto 1.**

La fase di apprendimento delle posizioni può essere rifatta in qualsiasi momento anche dopo l'installazione (ad esempio se viene spostato uno dei fermi meccanici); basta ripeterla dal punto 1.

**⚠ Durante la ricerca delle posizioni, se la cinghia non è adeguatamente tesa, può verificarsi uno slittamento tra cinghia e pignone. Se ciò si verifica interrompere l'apprendimento premendo il tasto [Stop]; tendere la cinghia avvitando il dado M8 (D) come in figura 11; quindi ripetere l'apprendimento dal punto 1.**

#### 4.4) Verifica del movimento del portone

Dopo l'apprendimento delle posizioni di apertura e chiusura è consigliabile effettuare alcune manovre per verificare il corretto movimento del portone.

1. Premere il tasto **[Open]** per comandare una manovra di "Apri"; verificare che l'apertura del portone avvenga regolarmente senza variazioni di velocità; solo quando il portone è tra 30 e 20cm dal fermo meccanico di apertura dovrà rallentare e fermarsi, a 2÷3cm dal fermo.
2. Premere il tasto **[Close]** per comandare una manovra di "Chiudi"; verificare che la chiusura del portone avvenga regolarmente senza variazioni di velocità; solo quando il portone è tra 30 e 20cm dal fermo meccanico di chiusura dovrà rallentare e fermarsi contro il fermo meccanico di chiusura. Poi viene eseguita una breve manovra di apertura per scaricare la tensione della cinghia.
3. Durante le manovre verificare che il lampeggiante (se presente) effettui i lampeggi con periodi di 0,5s acceso e 0,5s spento.
4. Effettuare varie manovre di apertura e chiusura con lo scopo di evidenziare eventuali difetti di montaggio e regolazione o altre anomalie come ad esempio punti con maggior attrito.
5. Verificare che il fissaggio del motoriduttore, della guida e dei fermi meccanici siano solidi, stabili ed adeguatamente resistenti anche durante le brusche accelerazioni o decelerazioni del movimento del portone.



#### 4.5) Funzioni preimpostate

La centrale di controllo di SPIN dispone di alcune funzioni programmabili, di fabbrica queste funzioni vengono regolate in una configurazione che dovrebbe soddisfare la maggior parte delle automazioni; comunque

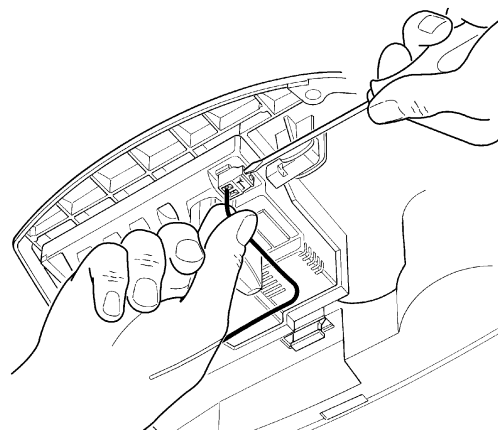
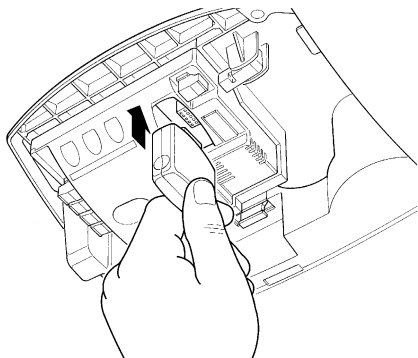
le funzioni possono essere cambiate in qualsiasi momento attraverso una opportuna procedura di programmazione, a questo scopo vedere paragrafo "7.2 Programmazioni".

#### 4.6) Ricevitore radio

Per il comando a distanza di SPIN, sulla centrale di controllo è previsto l'innesto SM per ricevitori radio tipo SMXI o SMXIS. Nello SPIN20KCE e SPIN21KCE il ricevitore radio è già innestato.

Negli SPIN30, SPIN40, SN6031 e SN6041 per inserire il ricevitore radio eseguire le operazioni come in figura 39 e 40.

1. Inserire il ricevitore radio premendo leggermente
2. Se non viene utilizzata l'antenna incorporata a LUCYB o altro tipo di antenna esterna, avvitare il cavetto rigido in dotazione al ricevitore al morsetto dell'antenna.



#### 4.6.1) Memorizzazione dei trasmettitori radio

Ogni radio trasmettitore viene riconosciuto dal ricevitore radio mediante un "codice" diverso da ogni altro trasmettitore. E' necessaria quindi una fase di "memorizzazione" attraverso la quale si predispongono il ricevitore a riconoscere ogni singolo trasmettitore, la memorizzazione dei trasmettitori può avvenire in 2 modalità:

**Modo I:** in questa modalità la funzione dei tasti del trasmettitore è fissa e ad ogni tasto corrisponde nella centrale al comando riportato in tabella N°7; si esegue una unica fase per ogni trasmettitore del quale vengono memorizzati tutti i tasti, durante questa fase non ha importanza quale tasto viene premuto e viene occupato un solo posto in memoria. In modo I, normalmente un trasmettitore può comandare una sola automazione

**Modo II:** in questa modalità ogni singolo tasto del trasmettitore può essere associato ad uno dei 4 possibili comandi della centrale riportati in tabella N°8; per ogni fase viene memorizzato solo un tasto e cioè quello premuto durante la fase di memorizzazione. Nella memoria viene occupato un posto per ogni tasto memorizzato.

In modo II i diversi tasti dello stesso trasmettitore possono essere usati per dare più comandi alla stessa automazione oppure per comandare più automazioni. Ad esempio, in tabella N°9, viene comandata solo l'automazione "A" ed i tasti T3 e T4 sono associati allo stesso comando; oppure nell'esempio in tabella N°10 dove vengono comandate 3 automazioni "A" (tasti T1 e T2), "B" (tasto T3) e "C" (tasto T4).

**⚠ Poiché le procedure di memorizzazione hanno un tempo limite di 10s è necessario leggere prima le istruzioni riportate nei prossimi paragrafi e poi procedere con l'esecuzione delle stesse.**

**Tabella N°7: memorizzazione Modo I**

Tasto T1	Comando "PP"
Tasto T2	Comando "Apertura parziale"
Tasto T3	Comando "Apre"
Tasto T4	Comando "Chiude"

Nota: i trasmettitori monocanale dispongono solo del tasto T1, i trasmettitori bicanale dispongono solo dei tasti T1 e T2.

**Tabella N°8: comandi disponibili in Modo II**

1	COMANDO "PP"
2	COMANDO "APERTURA PARZIALE"
3	COMANDO "APRE"
4	COMANDO "CHIUDE"

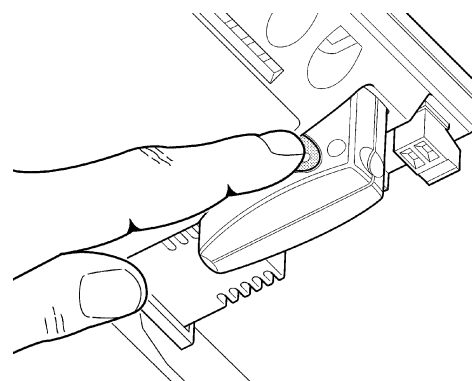
**Tabella N°9: 1° esempio di memorizzazione in Modo II**

Tasto T1	Comando "Apre"	Automazione A
Tasto T2	Comando "Chiude"	Automazione A
Tasto T3	Comando "Apertura parziale"	Automazione A
Tasto T4	Comando "Apertura parziale"	Automazione A

**Tabella N°10: 2° esempio di memorizzazione in Modo II**

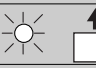


Tasto T1	Comando "Apre"	Automazione A
Tasto T2	Comando "Chiude"	Automazione A
Tasto T3	Comando "PP"	Automazione B
Tasto T4	Comando "PP"	Automazione C

#### 4.6.2) Memorizzazione modo I



41

**Tabella N°11: per memorizzare un trasmettitore in modo I**





	Esempio
1. Premere e tener premuto il tastino sul ricevitore (per circa 3s)	 3s
2. Rilasciare il tastino quando si accende il led sul ricevitore	
3. Entro 10s premere per almeno 2s un tasto qualsiasi del trasmettitore da memorizzare	 2s
4. Se la memorizzazione è andata a buon fine il led sul ricevitore farà 3 lampeggi.	 x3

Se ci sono altri trasmettitori da memorizzare, ripetere il punto 3 entro altri 10s.

La fase di memorizzazione termina se per 10 secondi non vengono ricevuti nuovi codici.

#### 4.6.3) Memorizzazione modo II

**Tabella N°12: per memorizzare il tasto di un trasmettitore in modo II**

	Esempio
1. Premere il tastino del ricevitore un numero di volte pari al comando desiderato secondo la tabella N°8	 1...4
2. Verificare che il led del ricevitore emetta un numero di lampeggi uguali al comando desiderato	 1...4
3. Entro 10s premere per almeno 2s il tasto desiderato del trasmettitore da memorizzare	 2s
4. Se la memorizzazione è andata a buon fine il led sul ricevitore farà 3 lampeggi.	 x3

Se ci sono altri trasmettitori da memorizzare per lo stesso comando, ripetere il punto 3 entro altri 10s.

La fase di memorizzazione termina se per 10 secondi non vengono ricevuti nuovi codici.







#### 4.6.4) Memorizzazione "a distanza"

E' possibile memorizzare un nuovo trasmettitore senza dover agire direttamente sul tastino del ricevitore; per fare ciò è necessario disporre di un telecomando già memorizzato e funzionante. Il nuovo trasmettitore "eredita" le caratteristiche di quello già memorizzato; quindi se il primo trasmettitore è memorizzato in modo I anche il nuovo sarà memorizzato in modo I e si potrà premere uno qualunque dei tasti dei trasmettitori. Se invece il trasmettitore già funzionante è memorizzato in modo II anche il nuovo sarà memorizzato in modo II e diventa importante premere, nel primo trasmettitore il tasto relativo al comando desiderato, e nel secondo trasmettitore il tasto da associare a quel comando.

**⚠ La memorizzazione a distanza può avvenire in tutti i ricevitori che si trovano nel raggio della portata del trasmettitore; è quindi necessario tenere alimentato solo quello interessato all'operazione.**

Con i due trasmettitori porsi nel raggio di azione dell'automazione ed eseguire i seguenti passi:


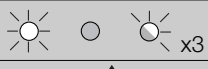


**Tabella N°13: per memorizzare un trasmettitore "a distanza"**

	Esempio
1. Premere per almeno 5s il tasto sul nuovo trasmettitore radio, poi rilasciare.	 5s 
2. Premere lentamente per 3 volte il tasto sul trasmettitore radio già memorizzato.	 1s  1s  1s
3. Premere lentamente per 1 volta il tasto sul nuovo trasmettitore radio.	 1s

Ora il nuovo trasmettitore radio verrà riconosciuto dal ricevitore e prenderà le caratteristiche che aveva quello già memorizzato.

Se ci sono altri trasmettitori da memorizzare, ripetere tutti i passi per ogni nuovo trasmettitore.

#### 4.6.5) Cancellazione dei trasmettitori radio

Tabella N°14: per cancellare tutti i trasmettitori	Esempio
1. Premere e tenere premuto il tastino sul ricevitore	
2. Aspettare che il led si accenda, poi aspettare che si spenga, quindi aspettare che emetta 3 lampeggi	
3. Rilasciare il tasto esattamente durante il 3° lampeggio	
4. Se la procedura è andata a buon fine, dopo qualche istante, il led emetterà 5 lampeggi.	

#### 4.6.6) Dichiarazione di conformità ricevitore radio

##### Dichiarazione di conformità

N°: 151/SMXI


Rev03

Nice S.p.a., Via Pezza Alta 13, 31046 Rustignè di Oderzo (TV) Italia

NICE S.p.a. dichiara che i ricevitori radio modelli SMXI, SMXIS ed i relativi trasmettitori FLO2R-S e SM2 sono conformi ai requisiti essenziali richiesti dalla Direttiva R&TTE 1999/5/CE, per l'uso cui gli apparecchi sono destinati.

Fabbricato in Classe 1, Sub-classe 20

Data: 19 Marzo 2004

  
Amministratore Delegato  
Lauro Buoro

### 5) Collaudo e messa in servizio

Questa è la fase più importante nella realizzazione dell'automazione al fine di garantire la massima sicurezza.

Il collaudo può essere usato anche come verifica periodica dei dispositivi che compongono l'automatismo.

**⚠ Il collaudo dell'intero impianto deve essere eseguito da personale esperto e qualificato che deve farsi carico delle prove richieste, in funzione del rischio presente e di verificare il rispetto di quanto previsto da leggi, normative e regolamenti, ed in particolare tutti i requisiti della norma EN12445 che stabilisce i metodi di prova per la verifica degli automatismi per cancelli e porte.**

#### 5.1) Collaudo

Ogni singolo componente dell'automatismo, ad esempio bordi sensibili, fotocellule, arresto di emergenza, ecc. richiede una specifica fase di collaudo; per questi dispositivi si dovranno eseguire le procedure riportate nei rispettivi manuali istruzioni.

Per il collaudo di SPIN eseguire la seguente sequenza di operazioni:

1. Verificare che si sia rispettato rigorosamente quanto previsto nel capitolo 1 "AVVERTENZE".
2. Sbloccare il portone tirando il cordino di sblocco verso il basso. Verificare che sia possibile muovere manualmente il portone in apertura e in chiusura con una forza non superiore a 225N.
3. Riagganciare il carrello.
4. Utilizzando il selettore o il trasmettitore radio o il cordino di comando, effettuare delle prove di chiusura e apertura del portone e verificare che il movimento corrisponda a quanto previsto.
5. Conviene eseguire diverse prove al fine di valutare la scorrevolezza del portone ed eventuali difetti di montaggio o regolazione nonché la presenza di particolari punti d'attrito.
6. Verificare uno ad uno il corretto funzionamento di tutti i dispositivi di sicurezza presenti nell'impianto (fotocellule, bordi sensibili ecc.). In particolare, ogni volta che un dispositivo interviene il led "BlueBUS" sulla centrale esegue 2 lampeggi più veloci a conferma che la centrale riconosce l'evento.
7. Per verificare il funzionamento delle fotocellule ed in particolare che non vi siano interferenze con altri dispositivi, passare un cilindro di diametro 5cm e lunghezza 30 cm sull'asse ottico prima vicino al TX, poi vicino all'RX e infine al centro tra i due e verificare che in tutti i casi il dispositivo intervenga passando dallo stato di attivo a quello di allarme e viceversa; infine che provochi nella centrale l'azione prevista; esempio: nella manovra di chiusura provoca l'inversione di movimento.

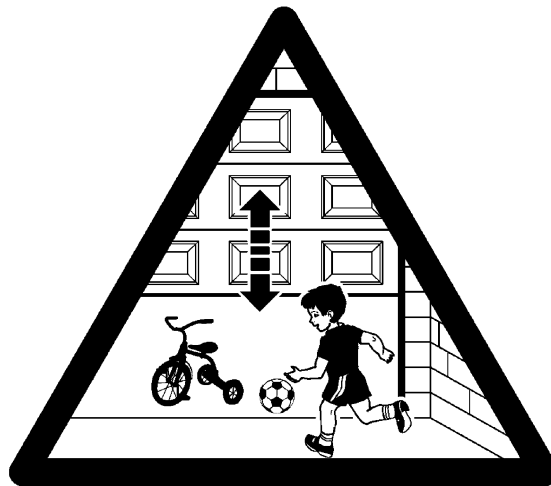
8. Se le situazioni pericolose provocate dal movimento del portone sono state salvaguardate mediante la limitazione della forza d'impatto si deve eseguire la misura della forza secondo quanto previsto dalla norma EN 12445. Se la regolazione della "Velocità" ed il controllo della "Forza Motore" vengono usati come ausilio al sistema per la riduzione della forza d'impatto, provare e trovare la regolazione che offrono i migliori risultati.

## 5.2) Messa in servizio

La messa in servizio può avvenire solo dopo aver eseguito con esito positivo tutte le fasi di collaudo. Non è consentita la messa in servizio parziale o in situazioni "provvisorie".

1. Realizzare e conservare per almeno 10 anni il fascicolo tecnico dell'automazione che dovrà comprendere almeno: disegno complessivo dell'automazione, schema dei collegamenti elettrici, analisi dei rischi e relative soluzioni adottate, dichiarazione di conformità del fabbricante di tutti i dispositivi utilizzati (per SPIN utilizzare la Dichiarazione CE di conformità allegata); copia del manuale di istruzioni per l'uso e del piano di manutenzione dell'automazione.
2. Fissare in maniera permanente sul portone un'etichetta o targa con indicate le operazioni per lo sblocco e la manovra manuale (utilizzare le figure contenute in "Istruzioni ed avvertenze destinate all'utilizzatore del motoriduttore SPIN").
3. Fissare in maniera permanente sul portone una etichetta o targa con questa immagine (altezza minima 60mm).

4. Apporre sul portone una targhetta contenente almeno i seguenti dati: tipo di automazione, nome e indirizzo del costruttore (responsabile della "messa in servizio"), numero di matricola, anno di costruzione e marchio "CE".
5. Compilare e consegnare al proprietario dell'automazione la dichiarazione di conformità dell'automazione.
6. Realizzare e consegnare al proprietario il manuale di "Istruzioni ed avvertenze per l'uso dell'automazione".
7. Realizzare e consegnare al proprietario dell'automazione il piano di manutenzione (che raccoglie le prescrizioni sulla manutenzione di tutti i dispositivi dell'automazione).
8. Prima di mettere in servizio l'automatismo informare adeguatamente ed in forma scritta il proprietario (ad esempio sul manuale di istruzioni ed avvertenze per l'uso dell'automazione) sui pericoli ed i rischi ancora presenti.



42

## 6) Manutenzione e smaltimento

In questo capitolo sono riportate le informazioni per la realizzazione del piano di manutenzione e lo smaltimento di SPIN.

### 6.1) Manutenzione

Per mantenere costante il livello di sicurezza e per garantire la massima durata dell'intera automazione è necessaria una manutenzione regolare.

**⚠ La manutenzione deve essere effettuata nel pieno rispetto delle prescrizioni sulla sicurezza del presente manuale e secondo quanto previsto dalle leggi e normative vigenti.**

Per gli altri dispositivi diversi da SPIN seguire quanto previsto nei rispettivi piani manutenzione.

1. Per SPIN è necessaria una manutenzione programmata al massimo entro 6 mesi o 3000 manovre dalla precedente manutenzione:

2. Scollegare qualsiasi sorgente di alimentazione elettrica, comprese le eventuali batterie tampone
3. Verificare lo stato di deterioramento di tutti i materiali che compongono l'automazione con particolare attenzione a fenomeni di erosione o di ossidazione delle parti strutturali; sostituire le parti che non forniscono sufficienti garanzie.
4. Verificare lo stato di usura delle parti in movimento: cinghia, carrello, pignoni e tutte le parti del portone, sostituire le parti usurate.
5. Ricollegare le sorgenti di alimentazione elettrica ed eseguire tutte le prove e le verifiche previste nel paragrafo "5.1 Collaudo".

### 6.2) Smaltimento

SPIN è costituito da diverse tipologie di materiali, alcuni di questi possono essere riciclati; acciaio, alluminio, plastica, cavi elettrici; altri dovranno essere smaltiti: batterie e schede elettroniche.

**⚠ Alcuni componenti elettronici e le batterie potrebbero contenere sostanze inquinanti, non disperderli nell'ambiente. Informatevi sui sistemi di riciclaggio o smaltimento attenendovi alle norme in vigore a livello locale.**

1. Scollegare l'alimentazione elettrica dall'automatismo e l'eventuale batteria tampone.
2. Smontare tutti i dispositivi ed accessori, seguendo il procedimento inverso a quello descritto nel capitolo "3 Installazione"
3. Separare per quanto possibile le parti che possono o devono essere riciclate o smaltite in modo diverso, ad esempio le parti metalliche da quelle plastiche, le schede elettroniche, le batterie ecc.
4. Smistare ed affidare i vari materiali così separati ai centri abilitati al recupero ed allo smaltimento previsti a livello locale.

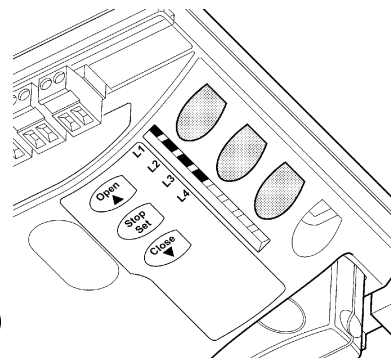
## 7) Approfondimenti

In questo capitolo verranno trattate le possibilità di programmazione, personalizzazione, diagnostica e ricerca guasti su SPIN.

### 7.1) Tasti di programmazione

Sulla centrale di controllo di SPIN sono presenti 3 tasti che possono essere usati sia per il comando della centrale durante le prove sia per le programmazioni:

<b>Open</b> s	Il tasto "OPEN" permette di comandare l'apertura del portone; oppure di spostare verso l'alto il punto di programmazione.
<b>Stop</b> <b>Set</b>	Il tasto "STOP" permette di fermare la manovra; se premuto per più di 5 secondi permette di entrare in programmazione.
<b>Close</b> t	Il tasto "CLOSE" permette di comandare la chiusura del portone; oppure di spostare verso il basso il punto di programmazione.



43

### 7.2) Programmazioni

Sulla centrale di controllo di SPIN sono disponibili alcune funzioni programmabili; la regolazione delle funzioni avviene attraverso 3 tasti presenti sulla centrale: [s] [Set] [t] e vengono visualizzate attraverso 4 led: **L1....L4**.

Le funzioni programmabili disponibili su SPIN sono disposte su 2 livelli:

**Primo livello:** funzioni regolabili in modo ON-OFF (attivo oppure non attivo); in questo caso ogni led **L1....L4** indica una funzione, se acceso la funzione è attiva, se spento la funzione non è attiva; vedere tabella N°15.

**Secondo livello:** parametri regolabili su una scala di valori (valori da 1 a 4); in questo caso ogni led **L1....L4** indica il valore regolato tra i 4 possibili; vedere tabella N°17.

#### 7.2.1) Funzioni primo livello (funzioni ON-OFF)




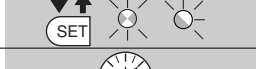

**Tabella N°15: elenco funzioni programmabili: primo livello**

Led	Funzione	Descrizione
<b>L1</b>	Chiusura Automatica	Questa funzione permette una chiusura automatica del portone dopo il tempo pausa programmato, di fabbrica il Tempo Pausa è posto a 20 secondi ma può essere modificato a 10, 20, 40 e 80 secondi (vedere tabella 17). Se la funzione non è attivata, il funzionamento è "semiautomatico".
<b>L2</b>	Richiudi Dopo Foto	Con il disimpegno delle fotocellule (foto e foto II), questa funzione provoca la "Chiusura Automatica" con "Tempo Pausa" di 5s anche se il tempo pausa è programmato per valori maggiori; il comportamento varia a seconda che si attivi o meno la "Chiusura Automatica". <b>Con "chiusura automatica" attiva:</b> la manovra di apertura si arresta subito dopo il disimpegno delle fotocellule e dopo 5s inizierà la manovra di chiusura. Se la funzione "Richiudi Dopo Foto2 non è attiva il tempo pausa sarà quello programmato. <b>Con "Chiusura automatica" non attiva:</b> la manovra di apertura non verrà interrotta ma il disimpegno delle fotocellule provoca l'attivazione della "Chiusura Automatica" con "Tempo Pausa" di 5s. Se la funzione "Richiudi Dopo Foto" non è attiva non vi sarà chiusura automatica.
<b>L3</b>	Forza motore	Questa funzione permette di scegliere la sensibilità del controllo di forza del motore per adeguarli al tipo di portone. Se questa funzione è attiva la sensibilità è più adatta a portoni di più piccole dimensioni e leggeri. Se questa funzione non è attiva la sensibilità è più adatta a portoni di più grandi dimensioni e pesanti.
<b>L4</b>	Stand-By	Questa funzione permette di ridurre al massimo i consumi, è utile in particolare nel funzionamento con batteria tampone. Se questa funzione è attivata, dopo 1 minuto dal termine della manovra, la centrale spegne l'uscita BlueBUS (e quindi i dispositivi) e tutti i led ad esclusione del led BlueBUS che lampeggerà più lentamente. Quando arriverà un comando la centrale ripristina il pieno funzionamento. Se la funzione non è attiva non ci sarà riduzione dei consumi.

Durante il funzionamento normale di SPIN i led **L1....L4** sono accesi o spenti in base allo stato della funzione che rappresentano, ad esempio **L1** è acceso se è attiva la "Chiusura automatica".

### 7.2.2 Programmazione primo livello (funzioni ON-OFF)

Di fabbrica le funzioni del primo livello sono poste tutte "OFF" ma si possono cambiare in qualsiasi momento come indicato in tabella N°16. Fare attenzione nell'eseguire la procedura perché c'è un tempo massimo di 10s tra la pressione di un tasto e l'altro, allo scadere del quale la procedura finisce automaticamente memorizzando le modifiche fatte fino a quel momento.

Tabella N°16: per cambiare le funzioni ON-OFF		Esempio
1.	Premere e tener premuto il tasto <b>[Set]</b> per circa 3s	
2.	Rilasciare il tasto <b>[Set]</b> quando il led L1 inizia a lampeggiare	
3.	Premere i tasti <b>[s]</b> o <b>[t]</b> per spostare il led lampeggiante sul led che rappresenta la funzione da modificare	
4.	Premere il tasto <b>[Set]</b> per cambiare lo stato della funzione (lampeggio breve = OFF; lampeggio lungo = ON)	
5.	Attendere 10s per uscire dalla programmazione per fine tempo massimo.	

Nota: i punti 3 e 4 possono essere ripetuti durante la stessa fase di programmazione per porre ON o OFF altre funzioni

### 7.2.3 Funzioni secondo livello (parametri regolabili)

Tabella N°17: elenco funzioni programmabili: secondo livello				
Led di entrata	Parametro	Led (livello)	valore	Descrizione
L1	Tempo Pausa	L1	10 secondi	Regola il tempo di pausa cioè il tempo prima della chiusura automatica. Ha effetto solo se la chiusura automatica è attiva
		L2	20 secondi	
		L3	40 secondi	
		L4	80 secondi	
L2	Funzione P.P.	L1	Apri - stop - chiudi - stop	Regola la sequenza di comandi associati all'ingresso P.P oppure al 1° comando radio (vedere tabelle 7 e 8).
		L2	Apri - stop - chiudi - apri	
		L3	Condominiale	
		L4	Uomo presente	
L3	Velocità Motore	L1	Molto lenta	Regola la velocità del motore durante la corsa normale.
		L2	Lenta	
		L3	Media	
		L4	Veloce	
L4	Uscita FLASH	L1	Spia Portone Aperto	Seleziona il dispositivo collegato all'uscita FLASH
		L2	Lampeggiante	
		L3	Elettroblocco	
		L4	Ventosa	


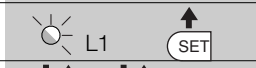


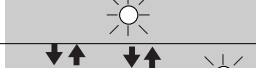



Nota: "■" rappresenta la regolazione di fabbrica

Tutti i parametri possono essere regolati a piacere senza nessuna controindicazione; solo la selezione del dispositivo collegato all'uscita "FLASH" richiede un'attenzione particolare:

**⚠ Prima di collegare il dispositivo all'uscita "FLASH" accertarsi di aver programmato la funzione corretta. In caso contrario c'è il rischio di danneggiare il dispositivo.**

### 7.2.4 Programmazione secondo livello (parametri regolabili)






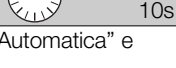
Di fabbrica i parametri regolabili sono posti come evidenziato in tabella N° 17 con: "■" ma si possono cambiare in qualsiasi momento come indicato in tabella N°18. Fare attenzione nell'eseguire la procedura perché c'è un tempo massimo di 10s tra la pressione di un tasto e l'altro, allo scadere del quale la procedura finisce automaticamente memorizzando le modifiche fatte fino a quel momento..

Tabella N°18: per cambiare i parametri regolabili		Esempio
1.	Premere e tener premuto il tasto <b>[Set]</b> per circa 3s	
2.	Rilasciare il tasto <b>[Set]</b> quando il led L1 inizia a lampeggiare	
3.	Premere i tasti <b>[s]</b> o <b>[t]</b> per spostare il led lampeggiante sul "led di entrata" che rappresenta il parametro da modificare	
4.	Premere e mantenere premuto il tasto <b>[Set]</b> , il tasto <b>[Set]</b> va mantenuto premuto durante tutti i passi 5 e 6	
5.	Attendere circa 3s dopodiché si accenderà il led che rappresenta il livello attuale del parametro da modificare	
6.	Premere i tasti <b>[s]</b> o <b>[t]</b> per spostare il led che rappresenta il valore del parametro.	
7.	Rilasciare il tasto <b>[Set]</b>	
8.	Attendere 10s per uscire dalla programmazione per fine tempo massimo.	

Nota: i punti da 3 a 7 possono essere ripetuti durante la stessa fase di programmazione per regolare più parametri

### 7.2.5 Esempio di programmazione primo livello (funzioni ON-OFF)


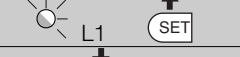

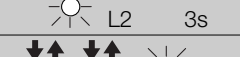



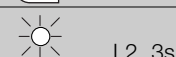



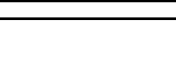
Come esempio viene riportata la sequenza di operazioni per cambiare l'impostazione di fabbrica delle funzioni per attivare le funzioni di "Chiusura Automatica" (L1) e "Forza motore" (L3).

Tabella N°19: esempio di programmazione primo livello	Esempio
1. Premere e tener premuto il tasto <b>[Set]</b> per circa 3s	
2. Rilasciare il tasto <b>[Set]</b> quando il led L1 inizia a lampeggiare	
3. Premere una volta il tasto <b>[Set]</b> per cambiare lo stato della funzione associata ad L1 (Chiusura Automatica) ora il led L1 lampeggia con lampeggio lungo	
4. Premere 2 volte il tasto <b>[t]</b> per spostare il led lampeggiante sul led L3	
5. Premere una volta il tasto <b>[Set]</b> per cambiare lo stato della funzione associata ad L3 (Forza Motore) ora il led L3 lampeggia con lampeggio lungo	
6. Attendere 10s per uscire dalla programmazione per fine tempo massimo	

Al termine di queste operazioni i led L1 ed L3 devono rimanere accesi ad indicare che sono attive le funzioni di "Chiusura Automatica" e "Forza motore".

### 7.2.6 Esempio di programmazione secondo livello (parametri regolabili)

Come esempio viene riportata la sequenza di operazioni per cambiare l'impostazione di fabbrica dei parametri ed aumentare il "Tempo Pausa" a 80s (entrata su L1 e livello su L4) e selezionare per l'"Uscita FLASH" la Spia Portone Aperto (entrata su L4 e livello su L1).

Tabella N°20: esempio di programmazione secondo livello	Esempio
1. Premere e tener premuto il tasto <b>[Set]</b> per circa 3s	
2. Rilasciare il tasto <b>[Set]</b> quando il led L1 inizia a lampeggiare	
3. Premere e mantenere premuto il tasto <b>[Set]</b> ; il tasto <b>[Set]</b> va mantenuto premuto durante tutti i passi 4 e 5	
4. Attendere circa 3s fino a che si accenderà il led L2 che rappresenta il livello attuale del "Tempo Pausa"	
5. Premere 2 volte il tasto <b>[t]</b> per spostare il led acceso su L4 che rappresenta il nuovo valore del "Tempo Pausa"	
6. Rilasciare il tasto <b>[Set]</b>	
7. Premere 3 volte il tasto <b>[t]</b> per spostare il led lampeggiante sul led L4	
8. Premere e mantenere premuto il tasto <b>[Set]</b> ; il tasto <b>[Set]</b> va mantenuto premuto durante tutti i passi 9 e 10	
9. Attendere circa 3s fino a che si accenderà il led L2 che rappresenta il dispositivo attuale associato all'"Uscita FLASH", cioè il lampeggiante.	
10. Premere 1 volta il tasto <b>[s]</b> per spostare il led acceso su L1 che rappresenta il nuovo dispositivo associato all'"Uscita FLASH", cioè la Spia Portone Aperto.	
11. Rilasciare il tasto <b>[Set]</b>	
12. Attendere 10s per uscire dalla programmazione per fine tempo massimo.	

### 7.3) Aggiunta o rimozione dispositivi

Ad una automazione con SPIN è possibile aggiungere o rimuovere dispositivi in qualsiasi momento. In particolare a "BlueBUS" ed all'ingresso "STOP" possono essere collegati vari tipi di dispositivi come

indicato nei paragrafi "7.3.1 BlueBUS" e "7.3.2 Ingresso STOP".

#### 7.3.1) BlueBUS

BlueBUS è una tecnica che permette di effettuare i collegamenti dei dispositivi compatibili con soli due conduttori sui quali transita sia l'alimentazione elettrica che i segnali di comunicazione. Tutti i dispositivi vengono collegati in parallelo sugli stessi 2 conduttori di BlueBUS e senza necessità di rispettare alcuna polarità; ogni dispositivo viene riconosciuto singolarmente poiché durante l'installazione gli viene assegnato un indirizzo univoco. A BlueBUS si possono collegare ad esempio: fotocellule, dispositivi di sicurezza, pulsanti di comando, spie di segnalazione ecc.

La centrale di controllo di SPIN riconosce uno ad uno tutti i dispositivi collegati attraverso un'opportuna fase di apprendimento ed è in grado di rilevare con estrema sicurezza tutte le possibili anomalie.

Per questo motivo ogni volta che viene aggiunto o tolto un dispositivo collegato a BlueBUS occorrerà eseguire nella centrale la fase di apprendimento come descritto nel paragrafo "7.3.4 Apprendimento altri dispositivi".



### 7.3.2) Ingresso STOP

STOP è l'ingresso che provoca l'arresto immediato della manovra seguito da una breve inversione. A questo ingresso possono essere collegati dispositivi con uscita a contatto normalmente aperto "NA", normalmente chiuso "NC" oppure dispositivi con uscita a resistenza costante 8,2KΩ, ad esempio bordi sensibili.

Come per BlueBUS, la centrale riconosce il tipo di dispositivo collegato all'ingresso STOP durante la fase di apprendimento (vedere paragrafo "7.3.4 Apprendimento altri dispositivi"); successivamente viene provocato uno STOP quando si verifica una qualsiasi variazione rispetto allo stato appreso.

Con opportuni accorgimenti è possibile collegare all'ingresso STOP più di un dispositivo, anche di tipo diverso:

- Più dispositivi NA si possono collegare in parallelo tra di loro senza alcun limite di quantità.
- Più dispositivi NC si possono collegare in serie tra di loro senza alcun limite di quantità.

- Due dispositivi con uscita a resistenza costante 8,2KΩ si possono collegare in parallelo; se vi sono più di 2 dispositivi allora tutti devono essere collegati "in cascata" con una sola resistenza di terminazione da 8,2KΩ
- E' possibile la combinazione di NA ed NC ponendo i 2 contatti in parallelo con l'avvertenza di porre in serie al contatto NC una resistenza da 8,2KΩ (ciò rende possibile anche la combinazione di 3 dispositivi: NA, NC e 8,2KΩ).

**⚠ Se l'ingresso STOP è usato per collegare dispositivi con funzioni di sicurezza solo i dispositivi con uscita a resistenza costante 8,2KΩ garantiscono la categoria 3 di sicurezza ai guasti secondo la norma EN 954-1.**

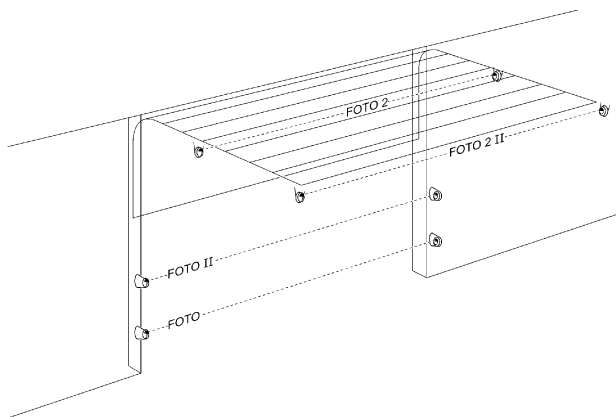
### 7.3.3) Fotocellule

Il sistema "BlueBUS" consente, tramite l'indirizzamento con gli appositi ponticelli, il riconoscimento delle fotocellule da parte della centrale e di assegnare la corretta funzione di rilevazione.

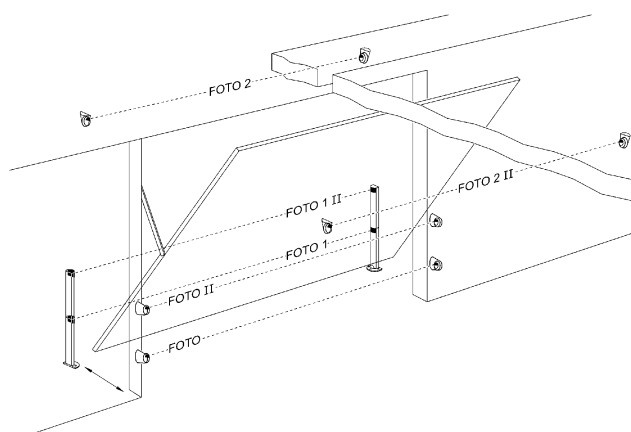
L'operazione di indirizzamento va fatta sia sul TX che sul RX (ponendo i ponticelli nello stesso modo) verificando che non vi siano altre coppie di fotocellule con lo stesso indirizzo.

In un automatismo per portoni sezionali o basculanti non debordanti è possibile installare le fotocellule secondo quanto rappresentato in figura 44. In un automatismo con portoni basculanti debordanti riferirsi alla figura 45.

Foto 2 e Foto 2II vengono impiegate in installazioni particolari che richiedono la protezione completa dell'automatismo, anche in apertura. Dopo l'installazione o la rimozione di fotocellule occorrerà eseguire nella centrale la fase di apprendimento come descritto nel paragrafo "7.3.4 Apprendimento altri dispositivi".



44



45

**Tabella N°21: indirizzi delle fotocellule**

Fotocellula	Ponticelli	Fotocellula	Ponticelli
<b>FOTO</b> Fotocellula esterna h = 50 con intervento in chiusura		<b>FOTO 2</b> Fotocellula esterna con intervento in apertura	
<b>FOTO II</b> Fotocellula esterna h = 100 con intervento in chiusura		<b>FOTO 2 II</b> Fotocellula interna con intervento in apertura	
<b>FOTO 1</b> Fotocellula interna h = 50 con intervento sia in chiusura che in apertura		<b>FOTO 3</b> <b>CONFIGURAZIONE NON PERMESSA</b>	
<b>FOTO 1 II</b> Fotocellula interna h = 100 con intervento sia in chiusura che in apertura			

**⚠ Su SN6021 l'uscita BlueBUS ha un carico massimo di 2 unità.  
Su SN6031 e SN6041 il carico massimo è di 6 unità.  
Una coppia di fotocellule assorbe potenza pari ad 1 unità BlueBUS.**



### 7.3.4) Apprendimento altri dispositivi

Normalmente l'operazione di apprendimento dei dispositivi collegati a BlueBUS ed all'ingresso STOP viene eseguita durante la fase di installazione; tuttavia se vengono aggiunti o rimossi dispositivi è possibile rifare l'apprendimento nel seguente modo:

Tabella N°22: per l'apprendimento di altri dispositivi		Esempio
1.	Premere e tenere premuti i tasti [s] e [Set]	
2.	Rilasciare i tasti quando i led L1 e L2 iniziano a lampeggiare molto velocemente (dopo circa 3s)	
3.	Attendere alcuni secondi che la centrale finisca l'apprendimento dei dispositivi	
4.	Al termine dell'apprendimento i led L1 e L2 smetteranno di lampeggiare, il led STOP deve rimanere acceso, mentre i led L1...L4 si accenderanno in base allo stato delle funzioni ON-OFF che rappresentano.	

**⚠** Dopo aver aggiunto o rimosso dei dispositivi è necessario eseguire nuovamente il collaudo dell'automazione secondo quanto indicato nel paragrafo "5.1 Collaudo".

## 7.4) Funzioni particolari

### 7.4.1) Funzione "Apri sempre"

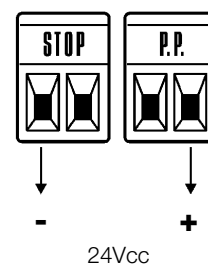
La funzione "Apri Sempre" è una proprietà della centrale di controllo che permette di comandare sempre una manovra di apertura quando il comando di "Passo-Passo" ha una durata superiore a 3 secondi; ciò è utile ad esempio per collegare al morsetto P.P. il contatto di un orologio programmatore per mantenere aperto il portone per una certa fascia oraria. Questa proprietà è valida qualunque sia la programmazione dell'ingresso di PP (vedere parametro "Funzione PP" in tabella N° 17).

### 7.4.2) Funzione "Muovi comunque"

Nel caso in cui qualche dispositivo di sicurezza non dovesse funzionare correttamente o fosse fuori uso, è possibile comunque comandare e muovere il portone in modalità "Uomo presente". Per i dettagli vedere il paragrafo "Comando con sicurezze fuori uso" presente nell'allegato "Istruzioni ed avvertenze destinate all'utilizzatore del motoriduttore SPIN".

## 7.5 Collegamento altri dispositivi

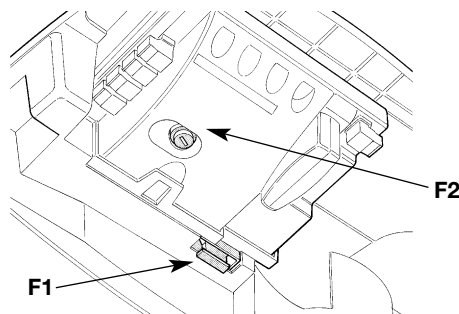
Se vi fosse l'esigenza di alimentare dispositivi esterni ad esempio un lettore di prossimità per tessere a transponder oppure la luce d'illuminazione del selettore a chiave è possibile prelevare l'alimentazione come indicato in figura 46. La tensione di alimentazione è 24Vcc - 30% ÷ +50% con corrente massima disponibile di 100mA.



46

## 7.6) Risoluzione dei problemi

Nella tabella seguente è possibile trovare utili indicazioni per affrontare casi di malfunzionamento in cui è possibile incorrere durante l'installazione o a causa di un guasto.



47

**Tabella N°23: ricerca guasti**

Sintomi	Probabile causa e possibile rimedio
Il trasmettitore radio non comanda il portone ed il led sul trasmettitore non si accende	Verificare se le pile del trasmettitore sono scariche, eventualmente sostituirle.
Il trasmettitore radio non comanda il portone ma il led sul trasmettitore si accende.	Verificare se il trasmettitore è correttamente memorizzato nel ricevitore radio.
Non si comanda nessuna manovra ed il led "BlueBUS" non lampeggia	Verificare che SPIN sia alimentato con la tensione di rete 230V. Verificare che i fusibili F1 e F2 non siano interrotti; in questo caso, verificare la causa del guasto e poi sostituirli con altri dello stesso valore di corrente e caratteristiche.
Non si comanda nessuna manovra ed il lampeggiante è spento	Verificare che il comando venga effettivamente ricevuto. Se il comando giunge sull'ingresso PP il relativo led "PP" deve accendersi; se invece viene utilizzato il trasmettitore radio, il led "BlueBus" deve fare due lampeggi veloci.
La manovra non parte e la luce di cortesia fa alcuni lampeggi	Contare il numero di lampeggi e verificare secondo quanto riportato in tabella N°24.
La manovra ha inizio ma subito dopo avviene la breve inversione	La forza selezionata potrebbe essere troppo bassa per muovere il portone. Verificare se ci sono degli ostacoli ed eventualmente selezionare una forza superiore.
La manovra viene eseguita ma il dispositivo collegato all'uscita FLASH non funziona	Verificare che il dispositivo collegato all'uscita "FLASH" sia effettivamente quello programmato. Verificare che quando il dispositivo dovrebbe essere alimentato ci sia tensione sul morsetto del dispositivo; se c'è tensione, il problema è dovuto al dispositivo che dovrà essere sostituito con uno di uguali caratteristiche. Se non c'è tensione significa che c'è un sovraccarico elettrico sull'uscita. Verificare che non vi sia cortocircuito sul cavo.

## 7.7) Diagnostica e segnalazioni

Alcuni dispositivi offrono direttamente delle segnalazioni particolari attraverso le quali è possibile riconoscere lo stato di funzionamento o dell'eventuale malfunzionamento.

### 7.7.1) Segnalazione con lampeggiante e luce di cortesia

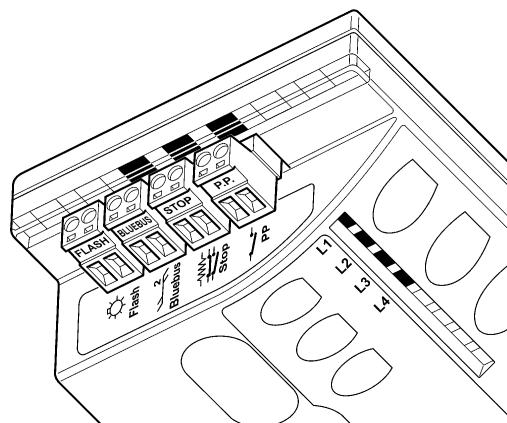
Se l'uscita FLASH è programmata e viene collegato un lampeggiante, durante la manovra esegue un lampeggio ogni secondo; quando accadono delle anomalie, vengono emessi dei lampeggi più brevi; i lampeggi si ripetono due volte, separati da una pausa di un secondo. Le stesse segnalazioni di diagnostica sono riportate dalla luce di cortesia.

**Tabella N°24: segnalazioni sul lampeggiante FLASH**

Lampeggi veloci	Causa	AZIONE
1 lampeggio pausa di 1 secondo 1 lampeggio	Errore sul BlueBUS	All'inizio della manovra, la verifica dei dispositivi collegati a BLUEBUS non corrisponde a quelli memorizzati durante la fase di apprendimento. E' possibile vi siano dispositivi guasti, verificare e sostituire; se sono state fatte delle modifiche occorre rifare l'apprendimento (7.3.4 Apprendimento altri dispositivi).
2 lampeggi pausa di 1 secondo 2 lampeggi	Intervento di una fotocellula	All'inizio della manovra una o più fotocellule non danno il consenso al movimento, verificare se ci sono ostacoli. Durante il movimento è normale se effettivamente è presente un ostacolo.
3 lampeggi pausa di 1 secondo 3 lampeggi	Intervento del limitatore della "Forza Motore"	Durante il movimento il portone ha incontrato un maggiore attrito; verificare la causa
4 lampeggi pausa di 1 secondo 4 lampeggi	Intervento dell'ingresso di STOP	All'inizio della manovra o durante il movimento c'è stato un intervento dell'ingresso di STOP; verificare la causa
5 lampeggi pausa di 1 secondo 5 lampeggi	Errore nei parametri interni della centrale elettronica	Attendere almeno 30 secondi e riprovare a dare un comando; se lo stato rimane potrebbe esserci un guasto grave ed occorre sostituire la scheda elettronica
6 lampeggi pausa di 1 secondo 6 lampeggi	Superato il limite massimo di manovre per ora.	Attendere alcuni minuti che il limitatore di manovre ritorni sotto il limite massimo
7 lampeggi pausa di 1 secondo 7 lampeggi	Errore nei circuiti elettrici interni	Scollegare tutti i circuiti di alimentazione per qualche secondo poi riprovare a dare un comando; se lo stato rimane potrebbe esserci un guasto grave sulla scheda oppure sul cablaggio del motore. Fare le verifiche e le eventuali sostituzioni.

### 7.7.2) Segnalazioni sulla centrale

Nella centrale di SPIN ci sono una serie di led ognuno dei quali può dare delle segnalazioni particolari, sia nel funzionamento normale che in caso di anomalia.



48

**Tabella N°25: led sui morsetti della centrale**

Led BLUEBUS	Causa	AZIONE
Spento	Anomalia	Verificare se c'è alimentazione; verificare che i fusibili non siano intervenuti; nel caso, verificare la causa del guasto e poi sostituirli con altri dello stesso valore
Acceso	Anomalia grave	C'è una anomalia grave; provare a spegnere per qualche secondo la centrale; se lo stato permane c'è un guasto e occorre sostituire la scheda elettronica
Un lampeggio al secondo	Tutto OK	Funzionamento normale della centrale
2 lampeggi veloci	E' avvenuta una variazione dello stato degli ingressi	E' normale quando avviene un cambiamento di uno degli ingressi: PP, STOP, intervento delle fotocellule o viene utilizzato il trasmettitore radio
Serie di lampeggi separati da una pausa di un secondo	Varie	E' la stessa segnalazione che c'è sul lampeggiante o luce di cortesia. Vedere Tabella N°24
Led STOP	Causa	AZIONE
Spento	Intervento dell'ingresso di STOP	Verificare i dispositivi collegati all'ingresso di STOP
Acceso	Tutto OK	Ingresso STOP attivo
Led P.P.	Causa	AZIONE
Spento	Tutto OK	Ingresso PP non attivo
Acceso	Intervento dell'ingresso di PP	E' normale se è effettivamente attivo il dispositivo collegato all'ingresso PP

**Tabella N°26: led sui tasti della centrale**

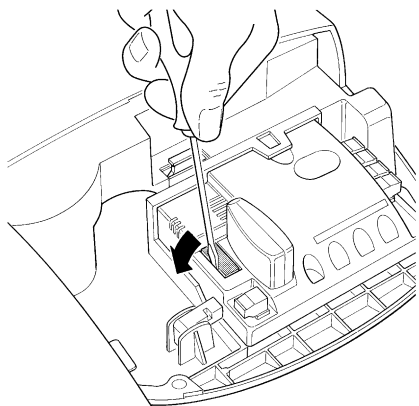
Led 1	Descrizione
Spento	Durante il funzionamento normale indica "Chiusura automatica" non attiva
Acceso	Durante il funzionamento normale indica "Chiusura automatica" attiva
Lampeggia	<ul style="list-style-type: none"> <li>• Programmazione delle funzioni in corso</li> <li>• Se lampeggia assieme ad L2 indica che è necessario eseguire la fase di apprendimento dei dispositivi (vedere paragrafo "4.2 Apprendimento dei dispositivi").</li> </ul>
Led L2	Descrizione
Spento	Durante il funzionamento normale indica "Richiudi Dopo Foto" non attivo.
Acceso	Durante il funzionamento normale indica "Richiudi Dopo Foto" attivo.
Lampeggia	<ul style="list-style-type: none"> <li>• Programmazione delle funzioni in corso</li> <li>• Se lampeggia assieme ad L1 indica che è necessario eseguire la fase di apprendimento dei dispositivi (vedere paragrafo "4.2 Apprendimento dei dispositivi").</li> </ul>
Led L3	Descrizione
Spento	Durante il funzionamento normale indica "Forza Motore" per portoni "pesanti".
Acceso	Durante il funzionamento normale indica "Forza Motore" per portoni "leggeri"
Lampeggia	<ul style="list-style-type: none"> <li>• Programmazione delle funzioni in corso</li> <li>• Se lampeggia assieme ad L4 indica che è necessario eseguire la fase di apprendimento delle posizioni di apertura e chiusura del portone (vedere paragrafo "4.3 Apprendimento delle posizioni di apertura e chiusura del portone").</li> </ul>
Led L4	Descrizione
Spento	Durante il funzionamento normale indica "Stand-By" non attivo.
Acceso	Durante il funzionamento normale indica "Stand-By" attivo.
Lampeggia	<ul style="list-style-type: none"> <li>• Programmazione delle funzioni in corso</li> <li>• Se lampeggia assieme ad L3 indica che è necessario eseguire la fase di apprendimento della lunghezza dell'anta (vedere paragrafo "4.4 Apprendimento delle posizioni di apertura e chiusura del portone").</li> </ul>

## 7.8) Accessori

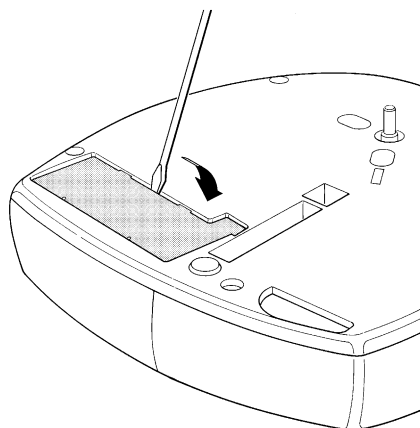
Per SPIN sono presenti i seguenti accessori opzionali. Consultare il catalogo prodotti di Nice S.p.A. per l'elenco completo ed aggiornato degli accessori.

### Per SN6031 e SN6041

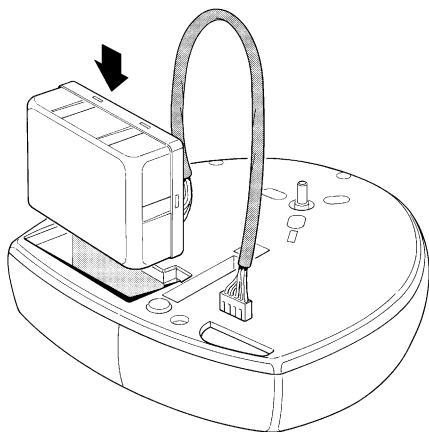
- PS124 Batteria tampone 24V - 1,2Ah con caricabatteria integrato.



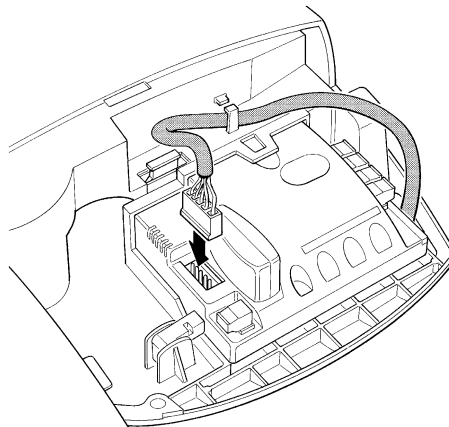
49



50



51



52

### Per SN6031 e SN6041

- SMXI o SMXIS Ricevitore radio a 433,92MHz con codifica digitale Rolling code.

### Per SN6031

- SNA5 Guida a profilo unico da 3m in acciaio zincato. Trasmissione a cinghia con 4 inserti in acciaio.

### Per SN6031 e SN6041

- SNA6 Guida a 2 profili da 4m (3m + 1m) in acciaio zincato. Trasmissione a cinghia con 6 inserti in acciaio.

### Per tutti

- SPA2 Sblocco meccanico con cordino metallico. Da impiegare negli impianti che prevedono come punto d'accesso il solo portone da automatizzare.

### Per tutti

- SPA5 Braccio oscillante. È necessario quando il portone da automatizzare è di tipo basculante, sia a contrappesi che a molle.

## 8) Caratteristiche tecniche

Con lo scopo di migliorare i propri prodotti, Nice S.p.a si riserva il diritto modifiche le caratteristiche tecniche in qualsiasi momento e senza preavviso pur mantenendo funzionalità e destinazione d'uso.

Tutte le caratteristiche tecniche riportate si riferiscono alla temperatura ambientale di 20°C (±5°C).

<b>Caratteristiche tecniche: SPIN</b>			
<b>Modello tipo</b>	<b>SN6021</b>	<b>SN6031</b>	<b>SN6041</b>
Tipologia	Motoriduttore elettromeccanico per il movimento automatico di portoni da garage ad uso residenziale completo di centrale elettronica di controllo		
Pignone	Diametro 9.5mm, 28 denti; per guide SNA5, SNA6 e guide in dotazione a SPIN20KCE, SPIN30 e SPIN40		
Coppia massima allo spunto [corrispondente alla capacità di sviluppare una forza per mettere in movimento l'anta]	11.7Nm [650N]	11.7Nm [650N]	18Nm [1000N]
Coppia nominale [corrispondente alla capacità di sviluppare una forza per mantenere in movimento l'anta]	5.85Nm [345N]	5.85Nm [345N]	9Nm [560N]
Velocità a vuoto [corrispondenti se programmata velocità "Veloce"]	106 rpm [0,20m/s] La centrale consente di programmare 4 velocità pari a 100% - 85% - 70% - 55% circa		
Velocità alla coppia nominale [corrispondenti a se programmata velocità "Veloce"]	53 rpm [0,08m/s]		
Frequenza massima cicli di funzionamento	50 cicli / giorno (la centrale limita i cicli al massimo previsto nelle tabelle N°4 e N°5)		
Tempo massimo funzionamento continuo	3 minuti (la centrale limita il funzionamento continuo al massimo previsto nelle tabelle N°4 e N°5)		
Limiti d'impiego	Generalmente SPIN è in grado di automatizzare portoni sezionali o basculanti che rientrano nelle dimensioni riportati in tabella 3 e secondo i limiti previsti nelle tabelle N°4 e N°5.		
Alimentazione SPIN	230Vac (±10%) 50/60Hz.		
Alimentazione SPIN/V1	120Vac (±10%) 50/60Hz.		
Potenza massima assorbita	250W	250W	370W
Riduzione consumo in Stand-By	---	Minore di 2,2W	Minore di 2,5W
Classe di isolamento	1 (è necessaria la messa a terra di sicurezza)		
Alimentazione di emergenza	---	Con accessorio PS124	Con accessorio PS124
Luce di cortesia SPIN	12V-21W attacco BA15	230V-60W attacco E27	230V-60W attacco E27
Luce di cortesia SPIN/V1	12V-21W attacco BA15	120V-60W attacco E27	120V-60W attacco E27
Uscita FLASH	Se programmata come "SPA": per una lampada spia 24V-5W massimo Se programmata come "Lampeggiante": per 1 lampeggiante LUCYB (12V, 21W) Se programmata come "Elettroblocco": per elettroblocco elettromeccanico 24V- 10W massimo. Se programmata come "Ventosa": per ventosa elettromeccanico 24V- 10W massimo		
Carico massimo uscita BLUEBUS	2	6	6
Ingresso STOP	Per contatti normalmente chiusi, normalmente aperti oppure a resistenza costante 8,2KΩ; in autoapprendimento (una variazione rispetto allo stato memorizzato provoca il comando "STOP")		
Ingresso PP	Per contatti normalmente aperti (la chiusura del contatto provoca il comando P.P.)		
Ingresso ANTENNA Radio	52Ω per cavo tipo RG58 o simili		
Ricevitore radio	Innesto "SM" per ricevitori tipo SMXI o SMXIS		
Funzioni programmabili	4 funzioni di tipo ON-OFF e 4 funzioni regolabili (vedere tabelle N° 15 e N° 17)		
Funzioni in autoapprendimento	Autoapprendimento dei dispositivi collegati all'uscita BlueBUS Autoapprendimento del tipo di dispositivo di "STOP" (contatto NA, NC o resistenza 8,2KΩ) Autoapprendimento delle posizioni di apertura e chiusura del portone e calcolo dei punti di rallentamento ed apertura parziale		
Temperatura di funzionamento	-20°C ÷ 50°C		
Utilizzo in atmosfera particolarmente acida o salina o potenzialmente esplosiva	No		
Grado di protezione	IP 40 (utilizzo solo in ambienti interni o protetti)		
Dimensioni e peso	311x327 h 105 / 3,6Kg		311x327 h 105 / 4,7Kg

**Caratteristiche tecniche guide**

Modello tipo	Guida contenuta in SPIN20KCE e SPIN30	Guida contenuta in SPIN40	SNA5	SNA6
Tipologia	profilo da 3 pezzi in acciaio zincato		profilo unico in acciaio zincato	profilo da 2 pezzi in acciaio zincato
Lunghezza guida	3.15m	3.15m	3.15m	4.15m
Altezza guida	35mm	35mm	35mm	35mm
Corsa utile	2.5m	2.5m	2.5m	3.5m
Lunghezza cinghia	6m	6m	6m	8m
Altezza cinghia	6mm	10mm	6mm	10mm
Resistenza alla trazione	730N	1220N	730N	1220N

Caratteristiche tecniche	ricevitore radio: SMXI	ricevitore radio: SMXIS
Tipologia	Ricevitore a 4 canali per radiocomando	
Frequenza	433.92MHz	
Codifica	Digitale Rolling code a 52 Bit, tipo FLOR	Digitale Rolling code a 64 Bit, tipo SMILO
Compatibilità trasmettitori	FLOR, VERY VR; solo gruppo singolo: ERGO, PLANO, PLANOTIME	SMILO
Trasmettitori memorizzabili	Fino a 256 se memorizzati in Modo I	
Impedenza di ingresso	52Ω	
Sensibilità	migliore di 0.5μV	
Portata dei trasmettitori	Da 100 a 150m, questa distanza può variare in presenza di ostacoli e disturbi elettromagnetici eventualmente presenti ed è influenzata dalla posizione dell'antenna ricevente	
Uscite	4 (su connettore SM)	
Temperatura di funzionamento	-10°C ÷ 55°C	

Caratteristiche tecniche	trasmettitore: FLO2R-S	trasmettitore: SM2
Tipologia	Trasmettitore 2 canali per radiocomando	
Frequenza	433.92MHz	
Codifica	Digitale Rolling code a 52 Bit, tipo FLOR	Digitale Rolling code a 64 Bit, tipo SMILO
Tasti	2	
Alimentazione	12Vdc con batteria tipo 23A	
Assorbimento	25mA	
Durata della batteria	1 anno, stimata su una base di 20 comandi/giorno della durata di 1s a 20°C (alle basse temperature l'efficienza della batteria diminuisce)	
Potenza irradiata	100μW	
Dimensioni e peso	72 x 40 h 18mm / 30g	Diametro 48 h14mm / 19g
Grado di protezione	IP 40 (utilizzo in casa o ambienti protetti)	
Temperatura di funzionamento	-40°C ÷ 85°C	

## Istruzioni ed avvertenze destinate all'utilizzatore del motoriduttore SPIN

Queste istruzioni possono integrare le "Istruzioni ed avvertenze per l'uso dell'automazione" che l'installatore deve consegnare al proprietario dell'automazione e comunque devono essere integrate da esse,

**Complimenti** per aver scelto per la vostra automazione un prodotto Nice! Nice S.p.a. produce componenti per l'automazione di cancelli, porte, serrande, tapparelle e tende da sole: motoriduttori, centrali di comando, radiocomandi, lampeggianti, fotocellule e accessori. Nice utilizza solo materiali e lavorazioni di qualità, e per vocazione ricerca soluzioni innovative che semplifichino al massimo l'utilizzo delle sue apparecchiature, curate nelle soluzioni tecniche, estetiche, ergonomiche: nella grande gamma Nice il vostro installatore avrà senz'altro scelto il prodotto più adatto alle vostre esigenze. Nice non è però il produttore della vostra automazione, che è invece il risultato di un'opera di analisi, valutazione, scelta dei materiali, e realizzazione dell'impianto eseguita dal vostro installatore di fiducia. Ogni automazione è unica e solo il vostro installatore possiede l'esperienza e la professionalità necessarie ad eseguire un impianto secondo le vostre esigenze, sicuro ed affidabile nel tempo, e soprattutto a regola d'arte, rispondente cioè alle normative in vigore. Un impianto di automazione è una bella comodità, oltre che un valido sistema di sicurezza e, con poche, semplici attenzioni, è destinato a durare negli anni. Anche se l'automazione in vostro possesso soddisfa il livello di sicurezza richiesto dalle normative, questo non esclude l'esistenza di un "rischio residuo", cioè la possibilità che si possano generare situazioni di pericolo, solitamente dovute ad un utilizzo incosciente o addirittura errato, per questo motivo desideriamo darvi alcuni consigli sui comportamenti da seguire per evitare ogni inconveniente:

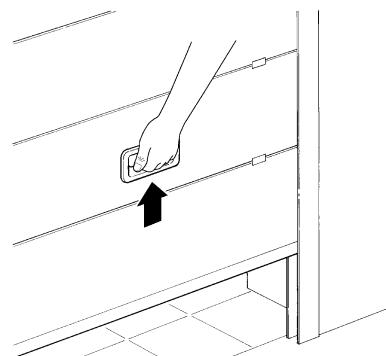
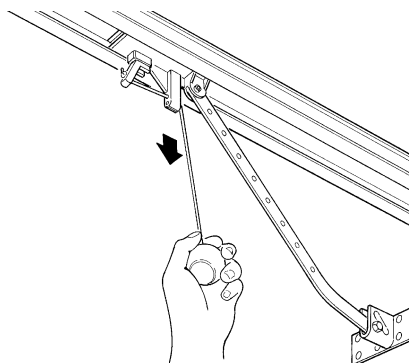
- **Prima di usare per la prima volta l'automazione**, fatevi spiegare dall'installatore l'origine dei rischi residui, e dedicate qualche minuto alla lettura del manuale **di istruzioni ed avvertenze per l'utilizzatore** consegnatovi dall'installatore. Conservate il manuale per ogni dubbio futuro e consegnatelo ad un eventuale nuovo proprietario dell'automazione.
- **La vostra automazione è un macchinario che esegue fedelmente i vostri comandi**; un uso incosciente ed improprio può farlo diventare pericoloso: non comandate il movimento dell'automazione se nel suo raggio di azione si trovano persone, animali o cose.
- **Bambini**: un impianto di automazione garantisce un alto grado di sicurezza, impedendo con i suoi sistemi di rilevazione il movimento in presenza di persone o cose, e garantendo un'attivazione sempre prevedibile e sicura. È comunque prudente vietare ai bambini di giocare in prossimità dell'automazione e per evitare attivazioni involontarie non lasciare i telecomandi alla loro portata: **non è un gioco!**
- **Anomalie**: Non appena notate qualunque comportamento anomalo da parte dell'automazione, togliete alimentazione elettrica all'impianto ed eseguite lo

sblocco manuale. Non tentate da soli alcuna riparazione, ma richiedete l'intervento del vostro installatore di fiducia: nel frattempo l'impianto può funzionare come un'apertura non automatizzata, una volta sbloccato il motoriduttore come descritto più avanti.

- **Manutenzione**: Come ogni macchinario la vostra automazione ha bisogno di una manutenzione periodica affinché possa funzionare più a lungo possibile ed in completa sicurezza. Concordate con il vostro installatore un piano di manutenzione con frequenza periodica; Nice consiglia un intervento ogni 6 mesi per un normale utilizzo domestico, ma questo periodo può variare in funzione dell'intensità d'uso. Qualunque intervento di controllo, manutenzione o riparazione deve essere eseguito solo da personale qualificato.
- Anche se ritenete di saperlo fare, non modificate l'impianto ed i parametri di programmazione e di regolazione dell'automazione: la responsabilità è del vostro installatore.
- Il collaudo, le manutenzioni periodiche e le eventuali riparazioni devono essere documentate da chi le esegue e i documenti conservati dal proprietario dell'impianto.  
**Gli unici interventi** che vi sono possibili e vi consigliamo di effettuare periodicamente sono la pulizia dei vetri delle fotocellule e la rimozione di eventuali foglie o sassi che potrebbero ostacolare l'automatismo. Per impedire che qualcuno possa azionare il cancello, prima di procedere, ricordatevi di **sbloccare l'automatismo** (come descritto più avanti) e di utilizzare per la pulizia solamente un panno leggermente inumidito con acqua.
- **Smaltimento**: Al termine della vita dell'automazione, assicuratevi che lo smantellamento sia eseguito da personale qualificato e che i materiali vengano riciclati o smaltiti secondo le norme valide a livello locale.
- **In caso di rotture o assenza di alimentazione**: Attendendo l'intervento del vostro installatore, o il ritorno dell'energia elettrica se l'impianto non è dotato di batterie tampone, l'automazione può essere azionata come una qualunque apertura non automatizzata. Per fare ciò è necessario eseguire lo sblocco manuale (unico intervento consentito all'utente sull'automazione): tale operazione è stata particolarmente studiata da Nice per assicurarvi sempre la massima facilità di utilizzo, senza uso di attrezzi particolari o necessità di sforzo fisico.

**Sblocco e movimento manuale:** prima di eseguire questa operazione porre attenzione che lo sblocco può avvenire solo quando il portone è fermo.

1. Tirare il cordino di sblocco verso il basso fino a sentire lo sgancio del carrello.
2. A questo punto è possibile agire manualmente sul portone
3. Per ripristinare la funzionalità dell'automatismo riportare il portone nella posizione iniziale fino a sentire l'aggancio del carrello.



**Comando con sicurezze fuori uso:** nel caso i dispositivi di sicurezza presenti nel portone non dovessero funzionare correttamente è possibile comunque comandare il portone.

- Azionare il comando del portone (col telecomando, col selettore a chiave, ecc.); se tutto è a posto il portone si aprirà o chiuderà normalmente, altrimenti il lampeggiante farà alcuni lampeggi e la manovra non partirà (il numero di lampeggi dipende dal motivo per cui la manovra non può partire).
- In questo caso, entro tre secondi si deve **azionare nuovamente e tenere azionato** il comando.
- Dopo circa 2s inizierà il movimento del portone in modalità a "uomo presente", cioè finché si mantiene il comando, il portone continuerà a muoversi; appena il comando viene rilasciato, il portone si ferma.

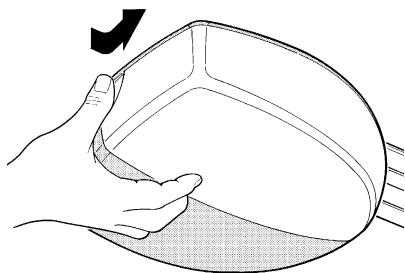
**Con le sicurezze fuori uso è necessario far riparare quanto prima l'automatismo.**

**Sostituzione pila del telecomando:** se il vostro telecomando dopo qualche tempo vi sembra funzionare peggio, oppure non funzionare affatto, potrebbe semplicemente dipendere dall'esaurimento della pila (a seconda dell'uso, possono trascorrere da diversi mesi fino ad oltre un anno). Ve ne potete accorgere dal fatto che la spia di conferma della trasmissione non si accende, è fioca, oppure si accende solo per un breve istante. Prima di rivolgervi all'installatore provate a scambiare la pila con quella di un altro trasmettitore eventualmente funzionante: se questa fosse la causa dell'anomalia, sarà sufficiente sostituire la pila con altra dello stesso tipo.

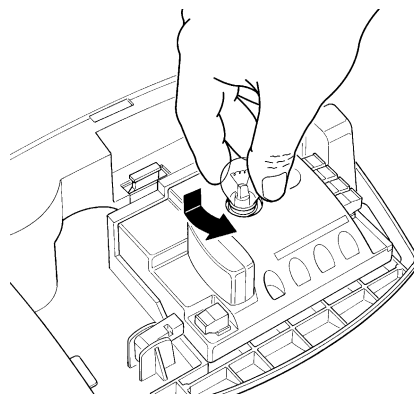
**Attenzione:** Le pile contengono sostanze inquinanti: non gettarle nei rifiuti comuni ma utilizzare i metodi previsti dai regolamenti locali.

**Sostituzione lampada:** prima di eseguire questa operazione togliere alimentazione allo SPIN.

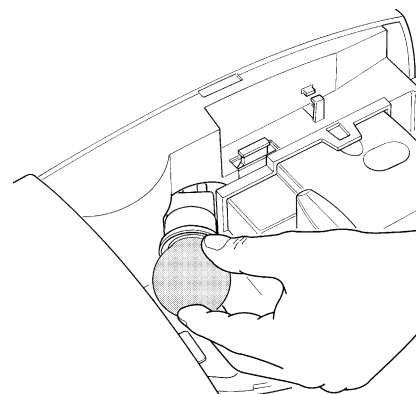
1. Aprire il coperchio bianco premendo e facendolo ruotare.



2. Per SN6021: togliere la lampadina premendo verso l'alto e poi facendola ruotare. Inserire una nuova lampadina da 12V / 21W attacco BA15.



3. Per SN6031 e SN6041: svitare la lampadina non funzionante. Inserire una nuova lampadina da 230V / 60W attacco E27.



**Siete soddisfatti?** Nel caso voleste aggiungere nella vostra casa un nuovo impianto di automazione, rivolgendovi allo stesso installatore e a Nice vi garantirete, oltre che la consulenza di uno specialista e i prodotti più evoluti del mercato, il migliore funzionamento e la massima compatibilità delle automazioni.

Vi ringraziamo per aver letto queste raccomandazioni, e vi auguriamo la massima soddisfazione dal vostro nuovo impianto: per ogni esigenza presente o futura rivolgetevi con fiducia al vostro installatore.





# Spin

## Table des matières:

## page

<b>1</b>	Avertissements	59	<b>6</b>	Maintenance et mise au rebut	72
<b>2</b>	Description du produit et type d'utilisation	59	<b>6.1</b>	Maintenance	72
<b>2.1</b>	Limites d'utilisation	60	<b>6.2</b>	Mise au rebut	72
<b>2.2</b>	Installation typique	61	<b>7</b>	Approfondissements	73
<b>2.3</b>	Liste des câbles	61	<b>7.1</b>	Touches de programmation	73
<b>3</b>	Installation	62	<b>7.2</b>	Programmation	73
<b>3.1</b>	Contrôles préliminaires	62	<b>7.2.1</b>	Fonctions premier niveau (fonctions ON-OFF)	73
<b>3.2</b>	Fixation SPIN	62	<b>7.2.2</b>	Programmation du premier niveau (fonctions ON-OFF)	74
<b>3.2.1</b>	Assemblage du rail fourni à SPIN20KCE, SPIN30 et SPIN40	63	<b>7.2.3</b>	Fonctions deuxième niveau (paramètres réglables)	74
<b>3.2.2</b>	Assemblage du rail SNA5	63	<b>7.2.4</b>	Programmation deuxième niveau (paramètres réglables)	74
<b>3.2.3</b>	Assemblage du rail SNA6	63	<b>7.2.5</b>	Exemple de programmation premier niveau (fonctions ON-OFF)	75
<b>3.2.4</b>	Fixation de l'opérateur au rail	64	<b>7.2.6</b>	Exemple de programmation deuxième niveau (paramètres réglables)	75
<b>3.2.5</b>	Fixation de l'opérateur	64	<b>7.3</b>	Ajout ou enlèvement de dispositifs	75
<b>3.3</b>	Installation des divers dispositifs	66	<b>7.3.1</b>	BlueBUS	75
<b>3.4</b>	Connexions électriques	66	<b>7.3.2</b>	Entrée STOP	76
<b>3.5</b>	Description des connexions électriques	67	<b>7.3.3</b>	Photocellules	76
<b>4</b>	Contrôles finaux et mise en service	67	<b>7.3.4</b>	Reconnaissance d'autres dispositifs	77
<b>4.1</b>	Branchement au secteur	67	<b>7.4</b>	Fonctions particulières	77
<b>4.2</b>	Reconnaissance des dispositifs	68	<b>7.4.1</b>	Fonction "Ouvre toujours"	77
<b>4.3</b>	Reconnaissance des positions d'ouverture et de fermeture de la porte de garage	68	<b>7.4.2</b>	Fonction "Manœuvre dans tous les cas"	77
<b>4.4</b>	Vérification du mouvement de la porte de garage	68	<b>7.5</b>	Connexion d'autres dispositifs	77
<b>4.5</b>	Fonctions préprogrammées	69	<b>7.6</b>	Résolution des problèmes	78
<b>4.6</b>	Récepteur radio	69	<b>7.7</b>	Diagnostic signalisations	78
<b>4.6.1</b>	Mémorisation des émetteurs	69	<b>7.7.1</b>	Signalisation avec clignotant et éclairage automatique	78
<b>4.6.2</b>	Mémorisation en Mode I	70	<b>7.7.2</b>	Signalisations sur la logique de commande	79
<b>4.6.3</b>	Mémorisation en Mode II	70	<b>7.8</b>	Accessoires	80
<b>4.6.4</b>	Mémorisation à distance	70	<b>8</b>	Caractéristiques techniques	81
<b>4.6.5</b>	Effacement des émetteurs radio	71			
<b>4.6.6</b>	Déclaration de conformité récepteur et émetteurs radio	71			
<b>5</b>	Essai et mise en service	71		Instructions et recommandations destinées à l'utilisateur de l'opérateur SPIN	83
<b>5.1</b>	Essai	71			
<b>5.2</b>	Mise en service	72			

## 1) Avertissements

Ce manuel d'instructions contient des informations importantes concernant la sécurité pour l'installation, il faut lire toutes les instructions avant de procéder à l'installation. Conserver avec soin ce manuel également pour des consultations futures.

Chaque fois que des données, des recommandations et tout ce qui est commun à tous les produits sont fournis dans ce manuel, on utilisera le nom de la ligne: « SPIN ». La description des produits se trouve au chapitre 2 « Description du produit ».

Compte tenu des dangers qui peuvent se vérifier durant l'installation et l'utilisation de SPIN, pour le maximum de sécurité il faut que l'installation soit faite dans le plein respect des lois, normes et règlements. Dans ce chapitre, nous donnons des recommandations d'ordre général; d'autres recommandations importantes se trouvent dans les chapitres "3.1 Contrôles préliminaires"; "5 Essai et mise en service".

**⚠ D'après la législation européenne la plus récente, la réalisation d'une porte ou d'un portail automatique possède les caractéristiques prévues par la Directive 98/37/CE (Directive Machines) et en particulier par les normes EN 12445, EN 12453 et EN 12635 qui permettent de déclarer la présomption de conformité.**

D'autres informations et les conseils pour l'analyse des risques et la réalisation du dossier technique sont disponibles sur le site: "www.nicefor-you.com".

- Le présent manuel est destiné uniquement au personnel technique qualifié pour l'installation. À part l'encart spécifique "Instructions et recommandations destinées à l'utilisateur de l'opérateur SPIN" qui sera détaché par l'installateur, aucune autre information contenue dans la présente notice ne peut être considérée comme intéressante pour l'utilisateur final!

- Une utilisation de SPIN différente de ce qui est prévu dans cette notice est interdite; des utilisations impropres peuvent être source de dangers ou de dommages aux personnes et aux choses.
- Avant de commencer l'installation, il faut effectuer l'analyse des risques comprenant la liste des conditions de sécurité requises par l'annexe I de la Directive Machines, en indiquant les solutions adoptées. Nous rappelons que l'analyse des risques est l'un des documents qui constituent le "dossier technique" de l'automatisation.
- Vérifier la nécessité d'autres dispositifs pour compléter l'automatisation avec SPIN suivant les conditions spécifiques de l'application et les risques présents; il faut considérer par exemple les risques d'impact, écrasement, cisaillement, coincement, etc., et d'autres dangers en général.
- Ne pas effectuer de modifications sur aucune des parties si elles ne sont pas prévues dans le présent manuel. Des opérations de ce type entraîneront obligatoirement des problèmes de fonctionnement. NICE décline toute responsabilité pour les dommages dérivant de produits modifiés.
- Pendant l'installation et l'utilisation, éviter que des parties solides ou liquides puissent pénétrer à l'intérieur de la logique de commande ou d'autres composants ouverts; s'adresser éventuellement au service d'assistance NICE; l'utilisation de SPIN dans de telles circonstances peut créer des situations de danger.
- L'automatisme ne peut pas être utilisé avant d'avoir effectué la mise en service comme l'explique le chapitre: "5 Essai et mise en service".
- L'emballage de SPIN doit être mis au rebut dans le plein respect de la réglementation locale.
- Dans le cas de panne qui ne peut pas être résolue avec les informations données dans ce manuel, contacter le service après-vente NICE.
- Si l'intervention de disjoncteurs ou de fusibles se vérifie, avant de les réarmer, il faut identifier et éliminer la panne.
- Avant d'accéder aux bornes situées sous le carter de SPIN, déconnecter tous les circuits d'alimentation; si le dispositif de déconnexion n'est pas visible, accrocher un panneau: "ATTENTION MAINTENANCE EN COURS".

## 2) Description du produit

SPIN est une ligne d'opérateurs destinés à l'automatisation de portes sectionnelles et, avec l'accessoire spécial SPA5, non fourni, de portes basculantes à ressort ou à contrepoids, débordantes ou non.

Les connexions électriques vers les dispositifs extérieurs sont simplifiées grâce à la technique "BlueBUS" qui permet de connecter plusieurs dispositifs avec seulement 2 fils.

Les SPIN fonctionnent grâce à l'énergie électrique; en cas de cou-

pure de courant, il est possible de débrayer l'opérateur et de manœuvrer le portail à la main. Dans les versions qui le permettent, on peut utiliser la batterie tampon PS124 en option qui permet d'effectuer certaines manœuvres même en l'absence de courant du secteur.

Les produits décrits dans les tableaux 1 et 2 font partie de la ligne SPIN.

**Tableau N°1: description de la composition SPIN**

Modèle type	Opérateur	Rail	Récepteur radio	Émetteur radio
SPIN20KCE	SN6021	3x1m	SMXI	FLO2R-S
SPIN21KCE	SN6021	3m	SMXI	FLO2R-S
SPIN30	SN6031	3x1m	---	---
SPIN40	SN6041	3x1m	---	---
SN6031	SN6031	---	---	---
SN6041	SN6041	---	---	---

SN6031 doit être équipé avec les rails SNA5 (3 m) ou SNA6 (3 m + 1 m).

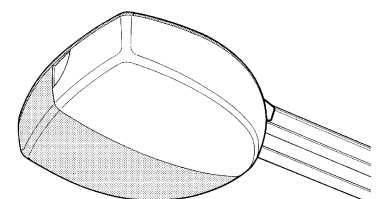
SN6041 doit être équipé avec le rail SNA6 (3 m + 1 m).

SPIN30, SPIN40, SN6031 et SN6041 peuvent être équipés avec les récepteurs radio SMXI ou SMXIS et les émetteurs radio correspondants.

**Tableau N°2: comparaison des caractéristiques essentielles des opérateurs SPIN**

Opérateur type	SN6021	SN6031	SN6041
Couple maximum (correspondant à la force maximum)	11.7 Nm (650N)	11.7 Nm (650N)	18 Nm (1000N)
Réduction de la consommation en Stand-By	Non	Oui	Oui
Unités BlueBus maximums	2	6	6
Alimentation de secours	Non	avec PS124	avec PS124
Éclairage automatique (douille ampoule)	12V - 21W (BA15)	230V* - 60W (E27)	230V* - 60W (E27)

\* 120 V dans les versions SPIN/V1



1

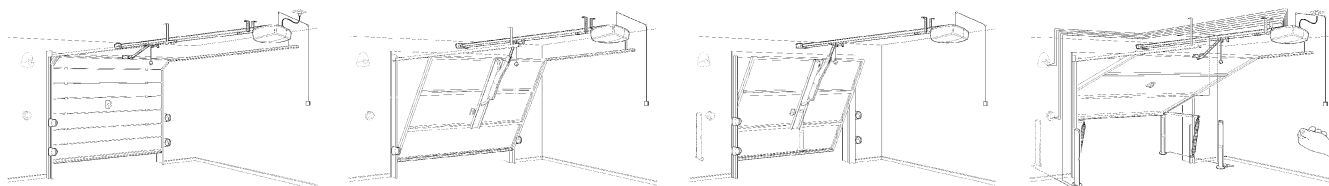
## 2.1) Limites d'utilisation

Les données relatives aux performances de SPIN figurent dans le chapitre "8 Caractéristiques techniques" et sont les seules valeurs qui permettent d'évaluer correctement si l'opérateur est adapté à l'application.

Les caractéristiques structurales des produits SPIN permettent de les utiliser sur des portes sectionnelles ou basculantes, dans les limites indiquées dans les tableaux n° 3, 4 et 5.

**Tableau n° 3: Limites d'utilisation des opérateurs SPIN.**

Modèle type:	Porte SECTIONNELLE		Porte BASCULANTE non débordante (avec accessoire SPA5)		Porte BASCULANTE débordante (avec accessoire SPA5) ou à ressorts (sans SPA5)	
	Hauteur	Larg.	Hauteur	Larg.	Hauteur	Larg.
SPIN20KCE	2.4m	4.4m	2.2m	4.2m	2.8m	4.2m
SPIN21KCE	2.4m	4.4m	2.2m	4.2m	2.8m	4.2m
SPIN30	2.4m	4.4m	2.2m	4.2m	2.8m	4.2m
SPIN40	2.4m	5.2m	2.2m	4.2m	2.8m	4.2m
SN6031 (SNA5)	2.4m	4.4m	2.2m	4.2m	2.8m	4.2m
SN6031 (SNA6)	3.4m	3.1m	3.2m	2.9m	3.5m	3.4m
SN6041 (SNA6)	3.4m	5.2m	3.2m	4.2m	3.5m	4.2m



Les mesures du tableau n°3 sont purement indicatives et servent seulement à une estimation générale. La capacité réelle de SPIN à automatiser une porte particulière dépend du degré d'équilibrage de la porte et des frottements des rails et d'autres phénomènes, même occasionnels, comme la pression du vent ou la présence de glace, qui pourraient gêner le mouvement de la porte.

Pour une vérification réelle, il est absolument indispensable de mesurer la force nécessaire pour déplacer la porte sur toute sa course et de contrôler que cette dernière ne dépasse pas le « couple nominal » indiqué dans le chapitre 8 « Caractéristiques techniques »; de plus, pour établir le nombre de cycles/heure et de cycles consécutifs, il faut tenir compte des indications des tableaux n° 4 et 5.

**Tableau n° 4: limites en fonction de la hauteur de la porte**

Hauteur porte mètres	cycles/heure maximums	cycles consécutifs maximums
Jusqu'à 2	20	10
2÷2,5	15	7
2,5÷3	12	5
3÷3,5	10	4

**Tableau n° 5: limites en fonction de la force nécessaire pour actionner la porte.**

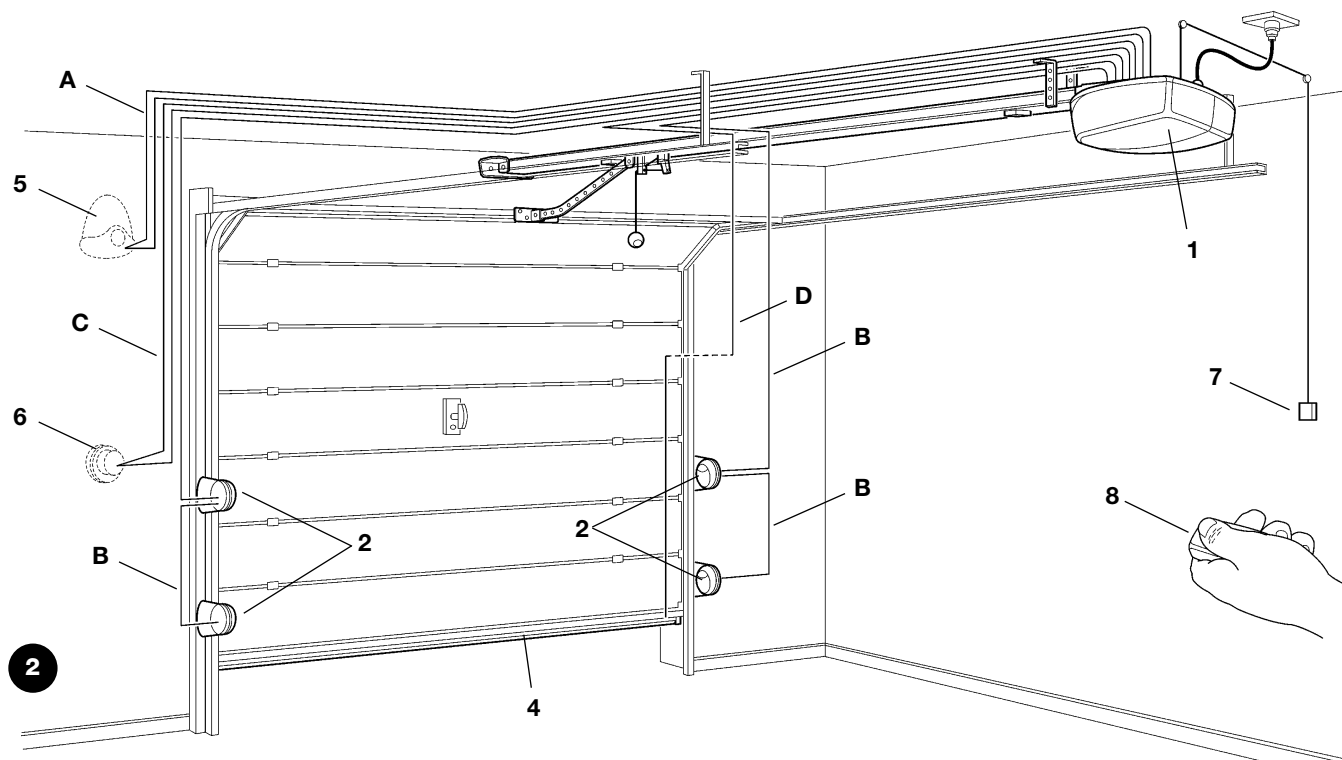
Force pour actionner la porte N	Pourcentage de réduction des cycles	
	SN6021 - SN6031	SN6041
Jusqu'à 250	100%	100%
250÷400	70%	90%
400÷500	25%	70%
500÷650	---	40%
650÷850	---	25%

La hauteur de la porte permet de déterminer le nombre maximum de cycles à l'heure et de cycles consécutifs tandis que la force nécessaire pour l'actionner permet de déterminer le pourcentage de réduction des cycles; par exemple, si la porte fait 2,2 m de hauteur, on peut avoir 15 cycles/heure et 7 cycles consécutifs mais s'il faut 300 N pour déplacer la porte, quand on utilise l'opérateur SN6021, il faut les réduire à 70%, soit 10 cycles/heure et environ 5 cycles consécutifs. Pour éviter les surchauffes, la logique de commande prévoit un limiteur qui se base sur l'effort du moteur et la durée des cycles en intervenant quand la limite maximum est dépassée. Tableau n° 4: limites en fonction de la hauteur de la porte.

**Note:** 1 Kg = 9,81 N donc, par exemple, 500 N = 51 Kg

## 2.2) Installation typique

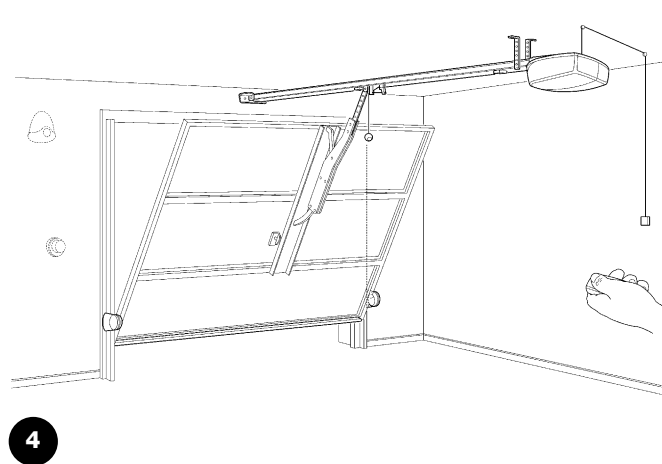
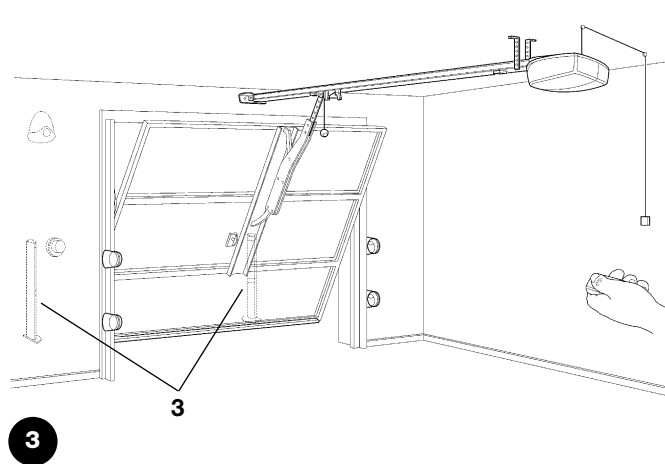
La figure 2 présente l'installation typique pour une porte sectionnelle.



- |                                      |                                      |                      |
|--------------------------------------|--------------------------------------|----------------------|
| 1 SPIN                               | 4 Bord primaire                      | 6 Sélecteur à clé    |
| 2 Photocellules                      | 5 Clignotant avec antenne incorporée | 7 Cordon fonction PP |
| 3 Photocellules sur colonne (fig. 3) |                                      | 8 Émetteur radio     |

Les figures 3 et 4 présentent les installations typiques pour une porte basculante débordante et non débordante.

**⚠ Pour les installations sur les portes basculantes, l'accessoire SPA5 est nécessaire.**



## 2.3) Liste des câbles

Dans l'installation typique de la figure 3 sont indiqués aussi les câbles nécessaires pour les connexions des différents dispositifs; le tableau n°6 indique les caractéristiques des câbles.

**⚠ Les câbles utilisés doivent être adaptés au type d'installation; par exemple, on conseille un câble type H03VV-F pour la pose à l'intérieur.**

**Tableau N°6: liste des câbles**

Connexion	Type de câble	Longueur maximum admise
A: clignotant avec antenne	1 câble 2x0,5mm <sup>2</sup> 1 câble blindé type RG58	20m 20m (longueur conseillée: moins de 5 m)
B: Photocellules	1 câble 2x0,5mm <sup>2</sup>	30m
C: Sélecteur à clé	2 câbles 2x0,5mm <sup>2</sup> (note 1)	50m
D: Bord sensible primaire	1 câble 2x0,5mm <sup>2</sup> (note 2-3)	30m

**Note 1:** les deux câbles 2 x 0,5mm<sup>2</sup> peuvent être remplacés par un seul câble 4 x 0,5mm<sup>2</sup>.

**Note 2:** S'il y a plus d'une barre palpable, voir le chapitre "7.3.2 Entrée STOP" pour le type de connexion conseillée.

**Note 3:** pour la connexion des bords sensibles sur les portes, il faut utiliser des dispositifs spéciaux qui permettent la connexion même quand la porte est en mouvement.

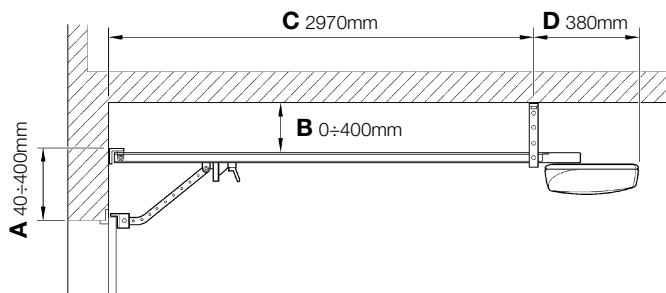
### 3) Installation

**⚠ L'installation de SPIN doit être effectuée par du personnel qualifié, dans le respect des lois, des normes et des règlements ainsi que de toutes les instructions de ce manuel.**

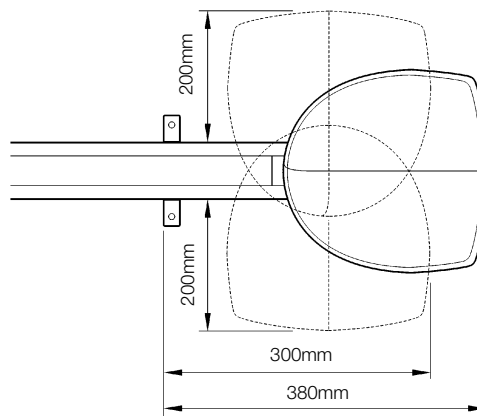
#### 3.1) Contrôles préliminaires

Avant de continuer l'installation de SPIN il faut effectuer les contrôles suivants:

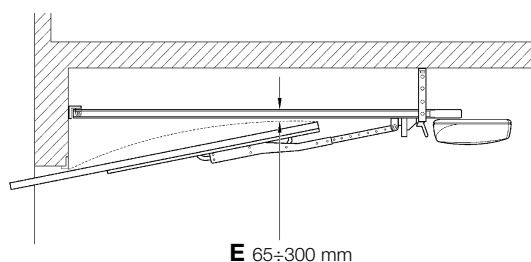
- Vérifier que tout le matériel à utiliser est en excellent état, adapté à l'usage et conforme aux normes.
- Vérifier que la structure de la porte est adaptée pour être équipée d'un automatisme.
- Vérifier que la force et les dimensions de la porte rentrent dans les limites d'utilisation indiquées au paragraphe 2.1 «Limites d'utilisation».
- Vérifier, en comparant avec les valeurs figurant dans le chapitre "8 Caractéristiques techniques", que la friction statique (c'est-à-dire la force nécessaire pour mettre le portail en mouvement) est inférieure à la moitié du "Couple maximum" et que la friction dynamique (c'est-à-dire la force nécessaire pour maintenir le portail en mouvement) est inférieure à la moitié du "Couple nominal"; on conseille une marge de 50% sur les forces car les conditions climatiques adverses peuvent faire augmenter les frictions.
- Vérifier que dans la course de la porte, aussi bien en fermeture qu'en ouverture, il n'y a pas de points présentant une plus grande friction.
- Vérifier la robustesse des butées mécaniques de limitation de la course en contrôlant qu'il n'y a pas de déformations même en cas de heurt violent du portail sur la butée.
- Vérifier que la porte est bien équilibrée, c'est-à-dire qu'elle ne doit pas bouger si elle est laissée dans une position quelconque.
- Vérifier que les points de fixation des différents dispositifs (photocellule, boutons, etc.) se trouvent dans des endroits à l'abri des chocs et que les surfaces sont suffisamment solides.
- Vérifier qu'il y a les espaces minimums et maximums indiqués sur les figures 5 et 6.
- Éviter que les parties de l'automatisme puissent être immergées dans l'eau ou dans d'autres substances liquides.
- Ne pas placer les composants de SPIN à proximité de sources de chaleur ni les exposer à des flammes ces actions peuvent endommager SPIN, causer des problèmes de fonctionnement et provoquer un incendie ou des dangers.
- Si la porte est munie d'un portillon pour le passage de piétons incorporé, il faut s'assurer que ce portillon ne gêne pas la course normale et prévoir éventuellement un système d'interverrouillage.
- Si la porte à automatiser est basculante, vérifier sur la figure 7 la mesure E, à savoir la distance minimum entre le côté supérieur du rail et le point maximum atteint par le bord supérieur de la porte. Sinon SPIN ne peut pas être monté.
- Connecter la fiche d'alimentation de SPIN à une prise électrique avec mise à la terre.
- La prise électrique doit être protégée par un disjoncteur magnéto-thermique associé à un déclencheur différentiel.



5



6



7

#### 3.2) Fixation SPIN

La fixation de SPIN comprend 3 parties:

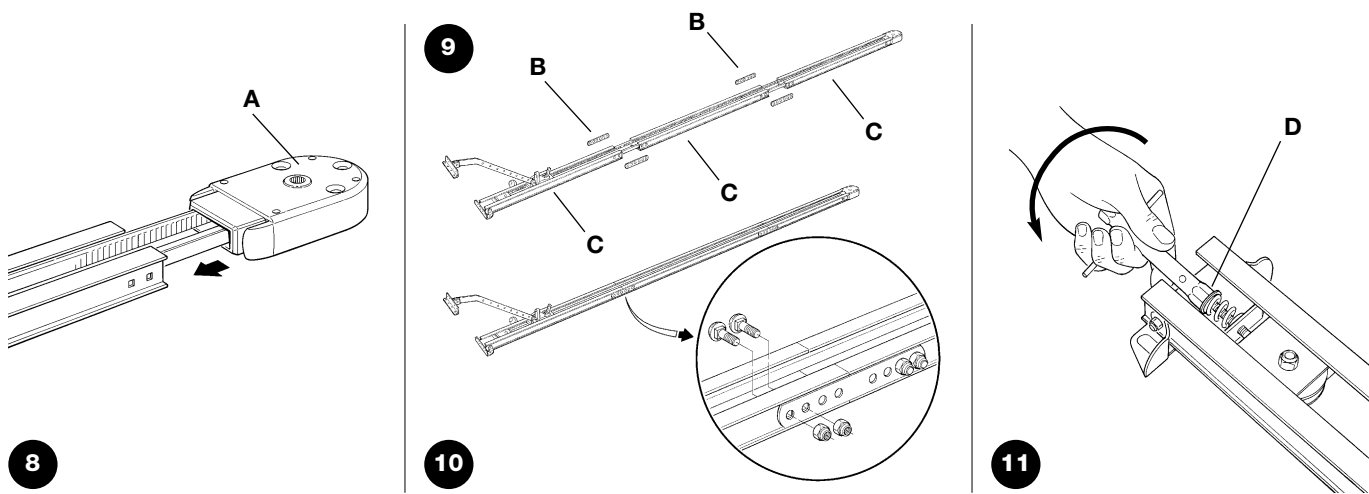
- Assemblage du rail (voir le paragraphe 3.2.1 pour les rails fournis avec SPIN20KCE, SPIN30 et SPIN40, le paragraphe 3.2.2 pour le rail SNA5 et le paragraphe 3.2.3 pour le rail SNA6)
- Fixation de l'opérateur au rail (voir le paragraphe 3.2.4)
- Fixation de l'opérateur au plafond (voir le paragraphe 3.2.5)

**⚠ Pour SN6031, il faut disposer d'un rail SNA5 ou SNA6 alors que pour SN6041, il faut avoir un rail SNA6.**

### 3.2.1) Assemblage du rail fourni avec SPIN20KCE, SPIN30 et SPIN40

Le rail fourni avec SPIN20KCE, SPIN30 et SPIN40 doit être assemblé comme suit:

1. Positionner les trois parties qui composent le rail de manière à pouvoir les assembler. Faire attention à la position de la courroie: elle doit avoir les dents vers l'intérieur, être droite et ne pas être entortillée.
2. Assembler la tête du rail (A), comme le montre la figure 8. Cette opération requiert une certaine force; utiliser éventuellement un marteau en caoutchouc.
3. Avec les pâtes de jonction (B), fixer les trois parties les unes aux autres (C), comme indiqué sur la figure 9 et 10.
4. Tendre la courroie au moyen de l'écrou M8 (D), comme indiqué sur la figure 11, jusqu'à ce qu'elle soit suffisamment rigide.



### 3.2.2) Assemblage du rail SNA5

Le rail SNA5 est préassemblé. La seule opération à effectuer est de tendre la courroie au moyen de l'écrou M8 (D), comme indiqué sur la figure 11, jusqu'à ce qu'elle soit suffisamment rigide.

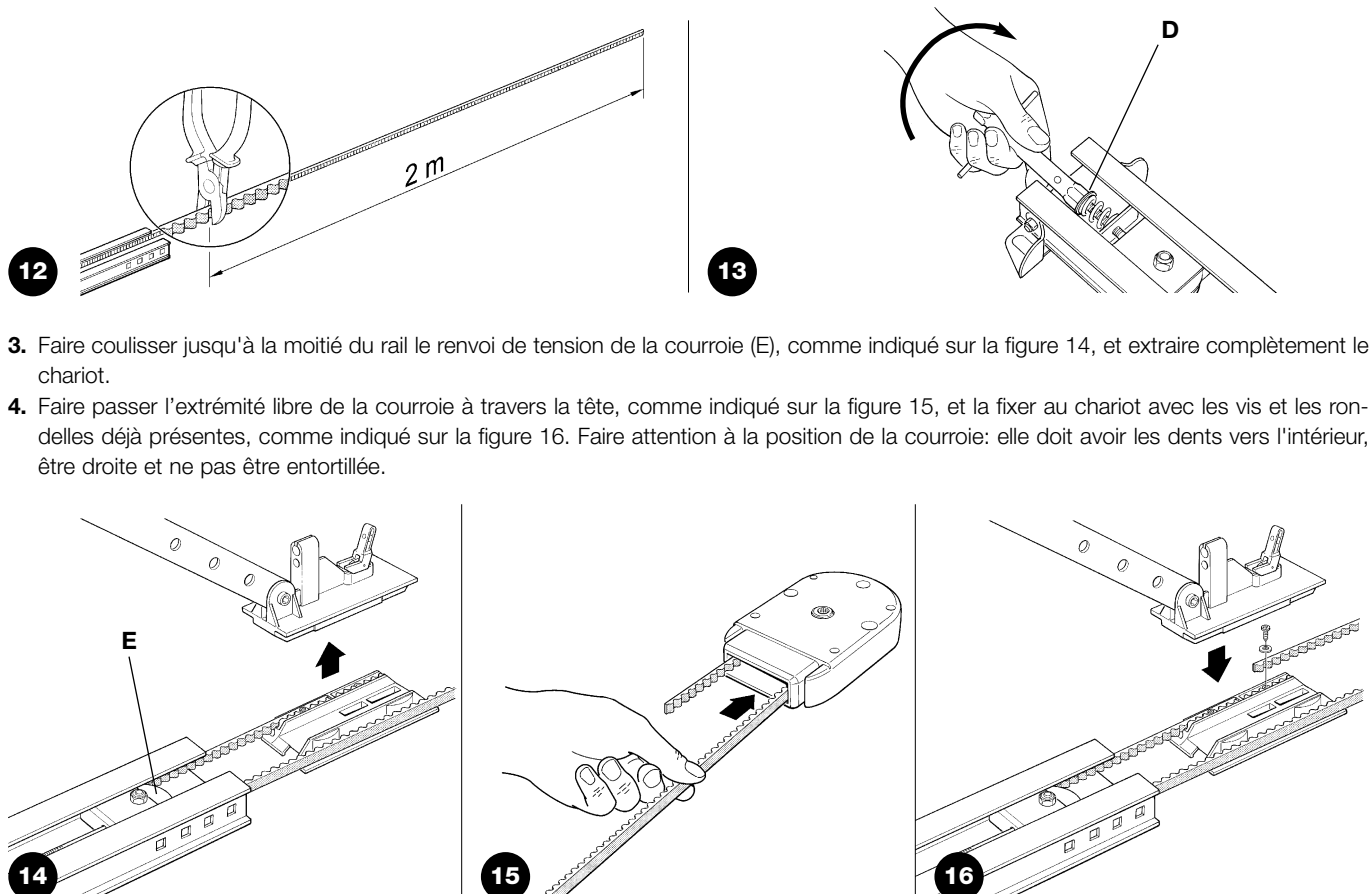
### 3.2.3) Assemblage du rail SNA6

Le rail SNA6 se compose de 2 profils: un de 3 m et l'autre de 1 m, ce qui permet de réaliser le rail en deux versions:

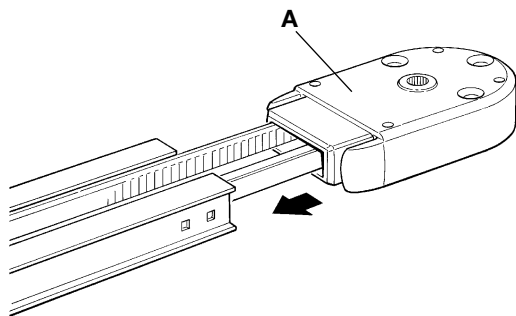
#### Version de 3 m

Si la porte à automatiser a une hauteur inférieure ou égale à 2,5 m, assembler le rail comme suit:

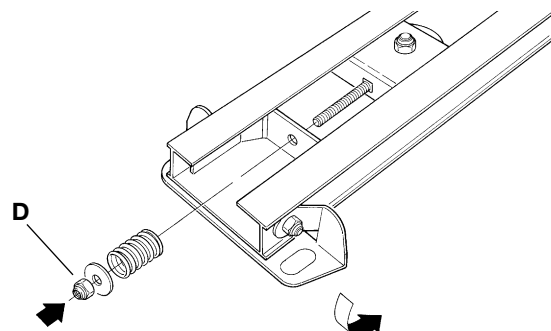
1. Couper la courroie à l'extrémité libre sur une longueur de 2 m exactement, comme indiqué sur la figure 12.
2. Dévisser complètement l'écrou M8 (D), comme indiqué sur la figure 13.



5. Remettre dans sa position initiale le renvoi de tension de la courroie et le chariot. Assembler la tête du rail (A), comme indiqué sur la figure 17. Cette opération requiert une certaine force: utiliser éventuellement un marteau en caoutchouc.
6. Introduire dans la vis du renvoi de tension de la courroie le ressort, la rondelle et l'écrou M8 (D), comme indiqué sur la figure 18.
7. Tendre la courroie au moyen de l'écrou M8 (D) (figure 11) jusqu'à ce qu'elle soit suffisamment rigide.



17



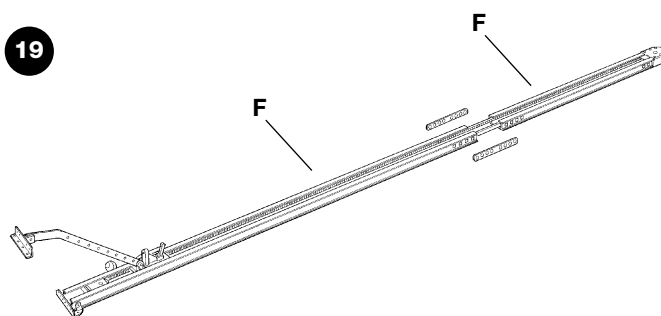
18

### Version de 4 m

Si la porte à automatiser a une hauteur supérieure à 2,5 m, assembler le rail comme suit:

1. Dévisser complètement l'écrou M8 (D), comme indiqué sur la figure 13.
2. Faire coulisser jusqu'à la moitié du rail le renvoi de tension de la courroie (E), comme indiqué sur la figure 14, et extraire complètement le chariot.
3. Faire passer l'extrémité libre de la courroie à travers la tête, comme indiqué sur la figure 15, et la fixer au chariot avec les vis et les rondelles déjà présentes, comme indiqué sur la figure 16. Faire attention à la position de la courroie: elle doit avoir les dents vers l'intérieur, être droite et ne pas être entortillée.
4. Assembler la tête du rail (A), comme indiqué sur la figure 17. Cette opération requiert une certaine force: utiliser éventuellement un marteau en caoutchouc.
5. Avec les pattes de jonction (B), fixer les deux parties (C) l'une à l'autre, comme indiqué sur la figure 19.

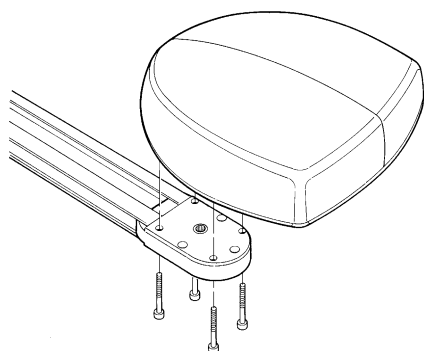
19



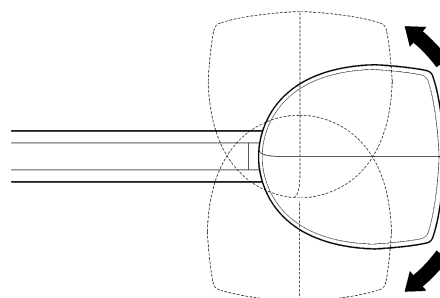
6. Remettre dans sa position initiale le renvoi de tension de la courroie et le chariot.
7. Introduire dans la vis du renvoi de tension de la courroie le ressort, la rondelle et l'écrou M8 (D), comme indiqué sur la figure 18.
8. Tendre la courroie au moyen de l'écrou M8 (D) (figure 11) jusqu'à ce qu'elle soit suffisamment rigide.

### 3.2.4) Fixation de l'opérateur au rail

1. Unir l'opérateur SPIN à la tête du rail (A); puis le fixer au moyen des 4 vis V6.3x38, comme indiqué sur la figure 20.
2. Le moteur peut être tourné dans trois positions différentes, comme indiqué sur la figure 21.



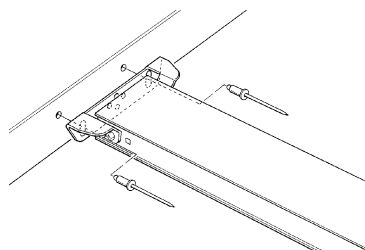
20



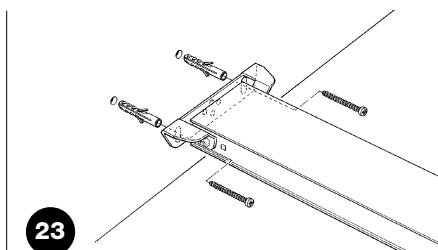
21

### 3.2.5) Fixation de l'opérateur au plafond

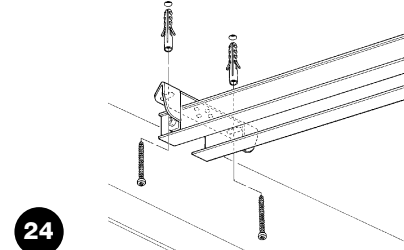
1. En respectant les mesures A et B de la figure 5, tracer au centre de la porte les deux points de fixation de la patte avant du rail. En fonction du type de matériau, la patte avant peut être fixée avec des rivets, des chevilles ou des vis (figures 22, 23). Si les mesures A et B (figure 5) le permettent, la patte peut être fixée directement au plafond, comme indiqué sur la figure 24.



22



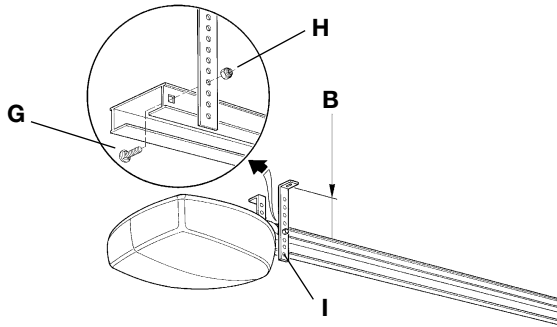
23



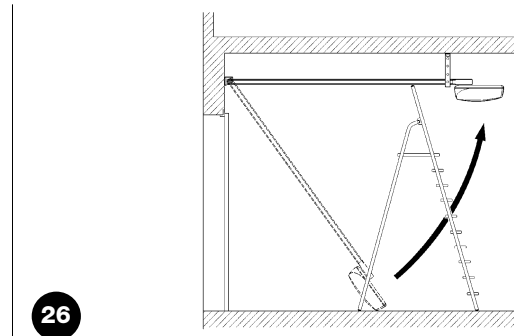
24



2. Après avoir percé sur les points prévus, en laissant l'opérateur au sol, soulever le rail par l'avant et le fixer avec deux vis, chevilles ou rivets selon la surface.
3. Fixer les pattes (I) avec les vis M6x15 (G) et les écrous M6 (H) en choisissant le trou qui permet de respecter le plus possible la mesure B, comme indiqué sur la figure 25.
4. En utilisant une échelle, soulever l'opérateur jusqu'à ce que les pattes soient contre le plafond. Tracer les points de perçage puis remettre l'opérateur au sol, comme indiqué sur la figure 26.

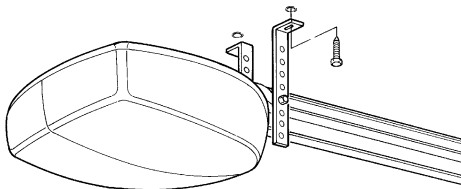


25

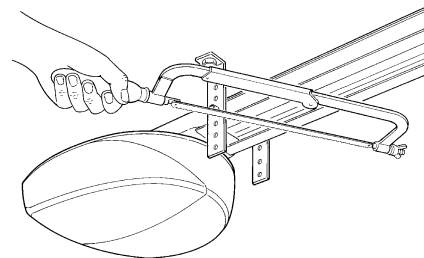


26

5. Percer sur les points tracés puis, en utilisant une échelle, soulever l'opérateur jusqu'à ce que les pattes se trouvent contre les trous qui viennent d'être percés et les fixer à l'aide de vis et de chevilles adaptées au matériau, comme indiqué sur la figure 27.
6. Vérifier que le rail est parfaitement horizontal puis couper avec une petite scie la partie excédante des pattes, comme indiqué sur la figure 28.

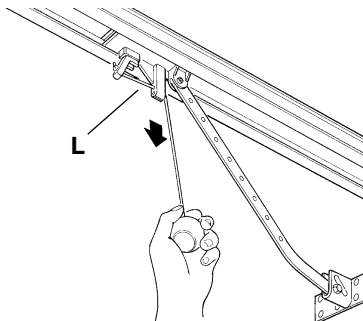


27

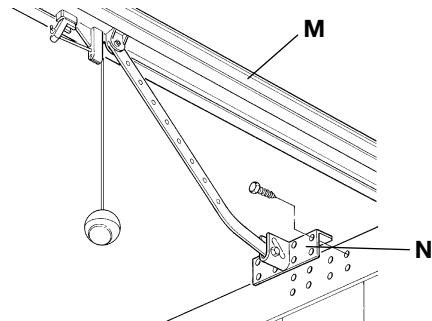


28

7. Avec la porte fermée, tirer le cordon pour décrocher le chariot (L), comme indiqué sur la figure 29.
8. Faire coulisser le chariot jusqu'à ce que l'équerre de la porte (N) soit sur le bord supérieur de la porte, exactement perpendiculaire au rail (M). Fixer l'équerre de la porte (N) avec des rivets ou des vis, comme indiqué sur la figure 30. Utiliser des vis ou des rivets adaptés au matériau de la porte en vérifiant qu'ils sont en mesure de supporter tout l'effort nécessaire pour l'ouverture et la fermeture de la porte.

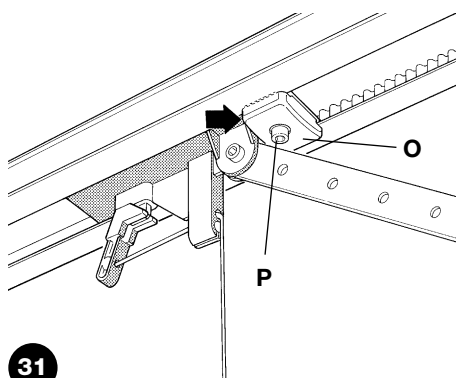


29

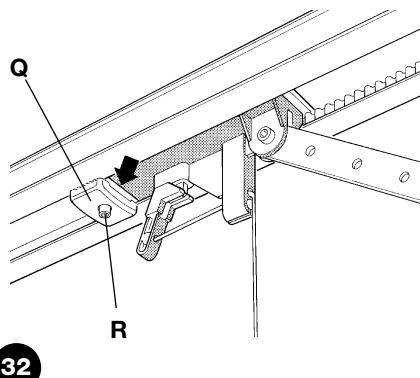


30

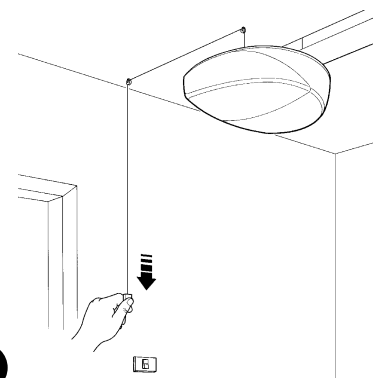
9. Desserrer les vis des deux butées mécaniques d'arrêt puis déplacer la butée mécanique d'arrêt avant (O) devant le chariot, comme indiqué sur la figure 31. Pousser le chariot avec force dans le sens de la fermeture et, dans la position atteinte, serrer fortement la vis (P).
10. Ouvrir manuellement la porte jusqu'au point d'ouverture voulu, déplacer la butée mécanique d'arrêt arrière (Q) au niveau du chariot, comme indiqué sur la figure 32, et la bloquer en serrant fortement la vis (R).
11. Essayer de déplacer manuellement la porte. Vérifier que le chariot coulisse facilement, sans frottement sur le rail et que la manœuvre manuelle est facile et ne requiert pas d'efforts particuliers.
12. Positionner le cordon de commande sur le point voulu de la pièce, en le faisant éventuellement passer au plafond au moyen des chevilles à œillet, comme indiqué sur la figure 33.



31



32



33

### 3.3) Installation des divers dispositifs

Installer les autres dispositifs prévus en suivant les instructions respectives. Vérifier dans le paragraphe "3.5 Description des connexions électriques" et dans la figure 2 les dispositifs qui peuvent être connectés à SPIN.

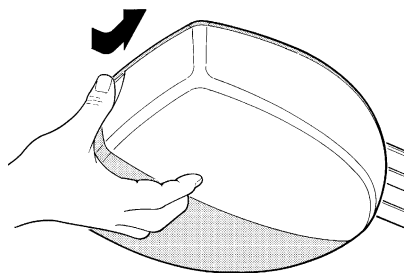
### 3.4) Connexions électriques

**⚠ Toutes les connexions électriques doivent être effectuées en l'absence de tension dans l'installation et avec l'éventuelle batterie tampon déconnectée.**

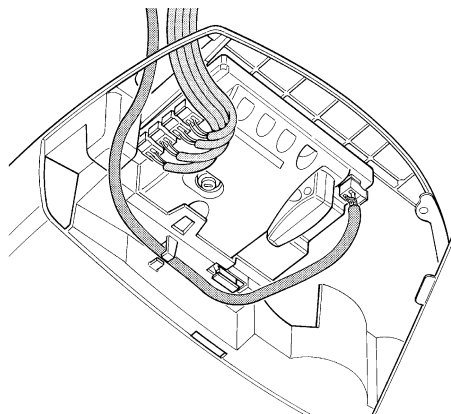
1. Pour ouvrir le couvercle de protection et accéder à la logique électronique de commande de SPIN, il faut appuyer sur le côté et le faire tourner comme indiqué sur la figure 34.

2. Faire passer à travers le trou les câbles de raccordement vers les divers dispositifs, en les laissant 20 à 30 cm plus longs que nécessaire. Faire passer le câble d'antenne à travers l'anneau de blocage des câbles. Voir le tableau n° 6 pour le type de câbles et la figure 2 pour les connexions.

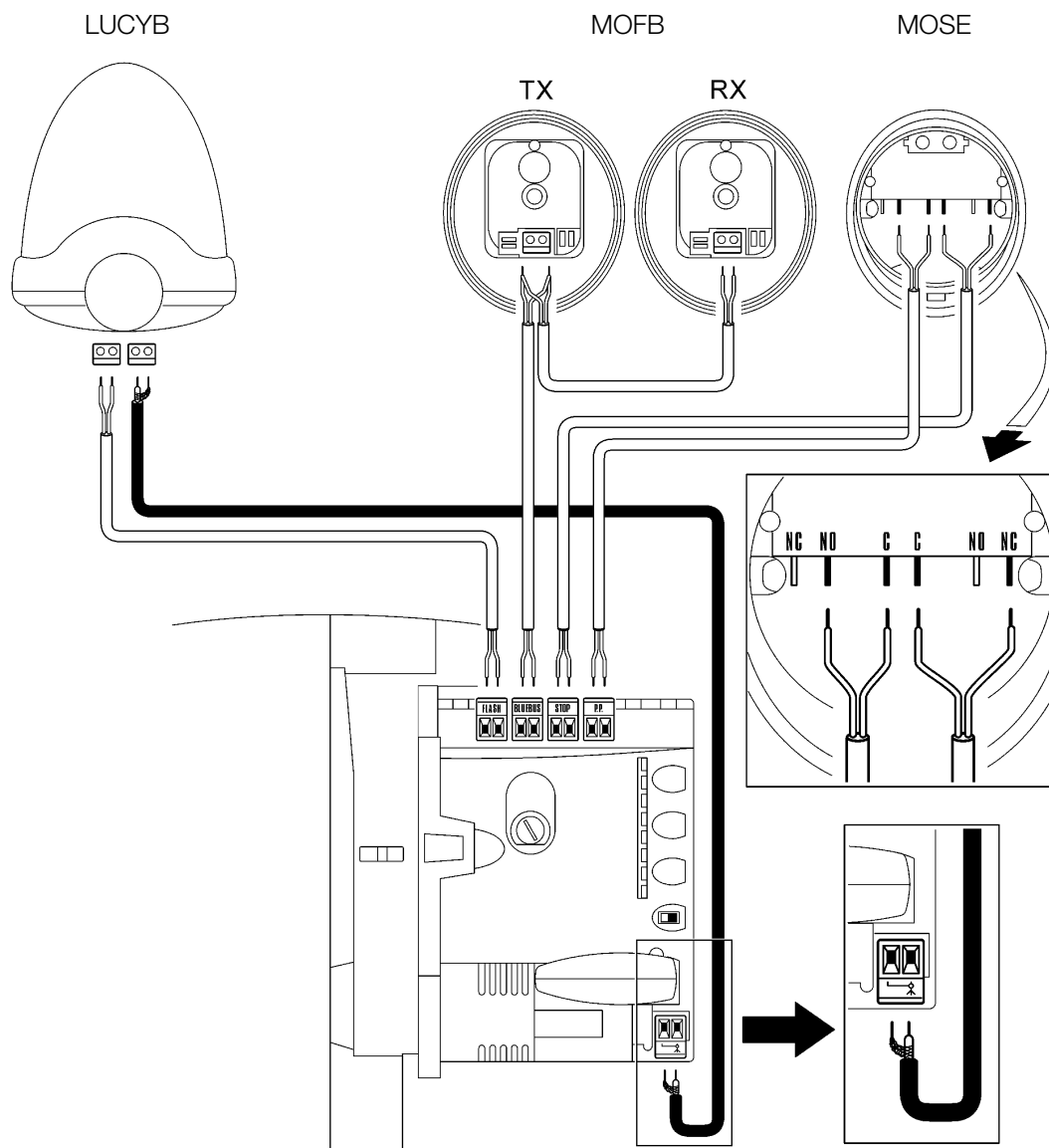
3. Effectuer les connexions des autres câbles suivant le schéma de la figure 36. Pour plus de commodité, les bornes peuvent être extraites.



34



35

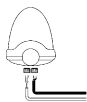


36

### 3.5) Description des connexions électriques

Ce paragraphe contient une brève description des connexions électriques; d'autres informations se trouvent dans le paragraphe "7.3 Ajout ou enlèvement de dispositifs".

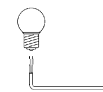
**FLASH:** cette sortie est programmable (voir paragraphe 7.2.4) pour raccorder un des dispositifs suivants:



#### Clignotant

Si elle est programmée comme « clignotant » sur la sortie « FLASH », il est possible de raccorder un clignotant NICE « LUCY B » à une ampoule 12 V 21 W type auto.

Durant la manœuvre, il clignote à raison: de 0,5 s allumé et 0,5 s éteint.



#### Sortie « voyant porte ouverte »

si elle est programmée comme « voyant porte ouverte » sur la sortie « FLASH », il est possible de connecter un voyant 24 V maximum 5 W de signalisation de la porte ouverte. Il reste allumé quand la porte est ouverte et éteint quand elle est fermée.

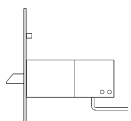
Durant la manœuvre, la voyant clignote lentement en ouverture et rapidement en fermeture.



#### Ventouse

Si elle est programmée comme « ventouse » sur la sortie « FLASH », il est possible de raccorder une ventouse 24 V max. 10 W (versions avec électroaimant uniquement, sans dispositifs électroniques). Quand la porte est fermée, la ventouse est activée et bloque la porte.

Durant la manœuvre d'ouverture ou de fermeture, elle est désactivée.



#### Serrure électrique

Si elle est programmée comme « serrure électrique » sur la sortie « FLASH », il est possible de raccorder une serrure électrique à ressort 24V max. 10W (versions avec électroaimant uniquement, sans dispositifs électroniques); durant la manœuvre d'ouverture, la serrure électrique est activée pendant un court instant pour débloquer la porte et effectuer la manœuvre. Lors de la manœuvre de fermeture, s'assurer que la serrure électrique se réenclenche mécaniquement.

**⚠ NE PAS UTILISER DE DISPOSITIFS DIFFÉRENTS DE CEUX QUI SONT PRÉVUS.**

**BLUEBUS:** sur ces bornes, on peut connecter les dispositifs compatibles; ils sont tous connectés en parallèle avec seulement deux conducteurs sur lesquels transitent aussi bien l'alimentation électrique que les signaux de communication. D'autres informations sur BlueBUS se trouvent dans le paragraphe "7.3.1 BlueBUS".

**STOP:** entrée pour dispositifs qui bloquent ou éventuellement arrêtent la manœuvre en cours; en adoptant certaines solutions sur l'entrée, il est possible de connecter des contacts type "Normalement Fermé", "Normalement Ouvert" ou des dispositifs à résistance constante. D'autres informations sur STOP se trouvent dans le paragraphe "7.3.2 Entrée STOP".

**PP:** entrée pour les dispositifs qui commandent le mouvement; on peut y connecter des contacts de type «Normalement ouvert». L'activation du cordon de commande déclenche un signal à l'entrée de PP.

**ANTENNE:** entrée pour la connexion de l'antenne pour récepteur radio. L'antenne est incorporée sur LUCY B). Il est également possible d'utiliser une antenne externe ou de laisser le tronçon de câble, qui fait office d'antenne, déjà présent dans la borne.

## 4) Contrôles finaux et mise en service

Avant de commencer la phase de contrôle et de mise en service de l'automatisme, il est conseillé de mettre la porte à mi-course environ de manière qu'il puisse se déplacer aussi bien en ouverture qu'en fermeture.

### 4.1) Branchement au secteur

Pour l'alimentation électrique de SPIN, il suffit de brancher sa fiche dans une prise de courant. Utiliser éventuellement un adaptateur en vente dans le commerce si la fiche de SPIN ne correspond pas à la prise disponible.

**⚠ Ne pas couper ni enlever le câble fourni avec SPIN.**

**S'il n'y a pas de prise disponible, le branchement de l'alimentation à SPIN doit être effectué par du personnel spécialisé, qualifié, en possession des critères requis et dans le respect des lois, normes règlements.**

**La ligne d'alimentation électrique doit être protégée contre le court-circuit et les déperditions à la terre; l'installation doit comprendre un dispositif permettant de couper l'alimentation durant l'installation ou la maintenance de SPIN (le même système fiche+prise peut faire l'affaire).**

Dès que l'opérateur SPIN est alimenté, il est conseillé de faire quelques vérifications élémentaires:

1. Vérifier que la led BLUEBUS clignote régulièrement à la fréquence d'un clignotement à la seconde.
2. Si les photocellules sont présentes, vérifier que les led sur les photocellules clignent elles aussi (aussi bien sur TX que sur RX); le type de clignotement n'est pas significatif, il dépend d'autres facteurs.
3. Vérifier que le dispositif connecté à la sortie FLASH est éteint.
4. Vérifier que l'éclairage automatique est éteint.

Si ce n'est pas le cas, il faut couper immédiatement l'alimentation de la logique de commande et contrôler plus attentivement les connexions électriques.

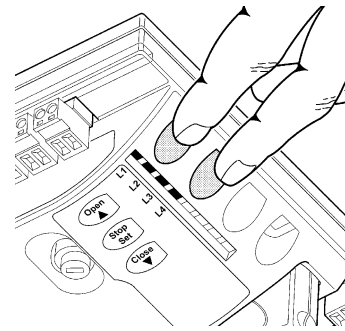
D'autres informations utiles pour la recherche et le diagnostic des pannes se trouvent dans le chapitre "7.6 Résolution des problèmes"

#### 4.2) Reconnaissance des dispositifs

Après le branchement au secteur il faut faire reconnaître par la logique de commande les dispositifs connectés aux entrées BLUE-BUS et STOP. Avant cette phase, les led L1 et L2 clignotent pour indiquer qu'il faut effectuer la reconnaissance des dispositifs.

**⚠ La phase de reconnaissance des dispositifs doit être exécutée même s'il n'y pas de dispositif connecté.**

37



1. Presser et maintenir enfoncées les touches **[s]** et **[Set]**
2. Relâcher les touches quand les led L1 et L2 commencent à clignoter très rapidement (au bout d'environ 3 s)
3. Attendre quelques secondes que la logique termine la reconnaissance des dispositifs
4. À la fin de la reconnaissance, la led STOP doit rester allumée, les led L1 et L2 s'éteindront (les led L3 et L4 commenceront éventuellement à clignoter)

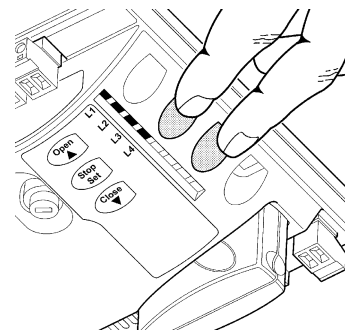
La phase de reconnaissance des dispositifs connectés peut être refaite à tout moment même après l'installation, par exemple si l'on ajoute un dispositif; pour effectuer la nouvelle reconnaissance, voir paragraphe "7.3.4 Reconnaissance d'autres dispositifs"

#### 4.3) Reconnaissance des positions d'ouverture et de fermeture de la porte.

Après la reconnaissance des dispositifs, il est nécessaire de faire reconnaître à la logique de commande les positions d'ouverture et de fermeture de la porte. Durant cette phase, la course de la porte est détectée par la butée mécanique d'arrêt de fermeture et par la butée de fermeture.

Vérifier que la courroie d'entraînement est bien tendue et que les deux butées mécaniques sont bien bloquées.

38



1. Accrocher le chariot.
2. Presser et maintenir enfoncées les touches **[t]** et **[Set]**
3. Relâcher les touches quand la manœuvre commence (au bout d'environ 3 s).
4. Attendre que la logique exécute la phase de reconnaissance: fermeture, ouverture et refermeture de la porte.
5. Tirer le cordon de commande pour exécuter une manœuvre complète d'ouverture.
6. Tirer de nouveau sur le cordon de commande pour exécuter la fermeture

Durant ces manœuvres, la logique mémorise la force nécessaire dans les mouvements d'ouverture et de fermeture.

Si, à la fin de la reconnaissance, les LED L3 et L4 clignotent, cela signifie qu'il y a une erreur; voir le paragraphe 7.6 « Résolution des problèmes ».

**Il est important que ces premières manœuvres ne soient pas interrompues, par ex. par une commande d'ARRÊT.**

**Si cela devait se produire, il faut recommencer l'opération de reconnaissance à partir du point 1.**

La phase de reconnaissance des positions peut être refaite à tout moment même après l'installation, par exemple si l'une des butées mécaniques est déplacée); il suffit de recommencer à partir du point 1.

**⚠ Durant la recherche des positions, si la courroie n'est pas suffisamment tendue, il peut se produire un glissement entre la courroie et le pignon. Si c'est le cas, interrompre la reconnaissance en pressant la touche [Stop]; tendre la courroie en vissant l'écrou M8 (D) comme indiqué sur la figure 11; répéter alors l'opération de reconnaissance à partir du point 1.**

#### 4.4) Vérification du mouvement de la porte

Après la reconnaissance des positions d'ouverture et de fermeture, il est conseillé d'effectuer quelques manœuvres pour vérifier que le mouvement de la porte est correct.

1. Presser la touche **[Open]** pour commander une manœuvre d'ouverture; vérifier que l'ouverture de la porte s'effectue régulièrement sans variation de vitesse; la porte ne doit ralentir et s'arrêter, à 2 ou 3 cm de la butée, que lorsqu'elle se trouve entre 30 et 20 cm de la butée mécanique d'ouverture.
2. Presser la touche **[Close]** pour commander une manœuvre de fermeture; vérifier que la fermeture de la porte s'effectue régulièrement sans variation de vitesse; la porte ne doit ralentir et s'arrêter contre la butée que lorsqu'elle se trouve entre 30 et 20 cm de la butée mécanique de fermeture. Puis une brève manœuvre d'ouverture est exécutée pour libérer la tension de la courroie.
3. Durant la manœuvre, vérifier que le clignotant (s'il est présent) clignote à une fréquence régulière de 0,5 s.
4. Effectuer différentes manœuvres d'ouverture et de fermeture pour mettre en évidence les éventuels défauts de montage et de réglage ou d'autres anomalies comme par exemple les points de plus grande friction.
5. Vérifier que la fixation de l'opérateur, du rail et des butées mécaniques est solide, stable et suffisamment résistante même en cas de brusques accélérations ou de décélérations du mouvement de la porte.

## 4.5) Fonctions préprogrammées

La logique de commande de ROBUS350 dispose de certaines fonctions programmables; en usine ces fonctions sont réglées suivant une configuration qui devrait satisfaire la plupart des automatisations; quoiqu'il en

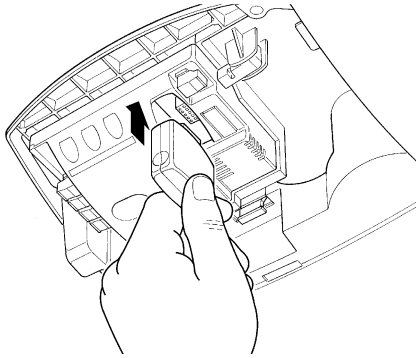
soit, les fonctions peuvent être modifiées à tout moment à l'aide d'une procédure de programmation particulière, voir pour cela le paragraphe "7.2 Programmmations".

## 4.6) Récepteur radio

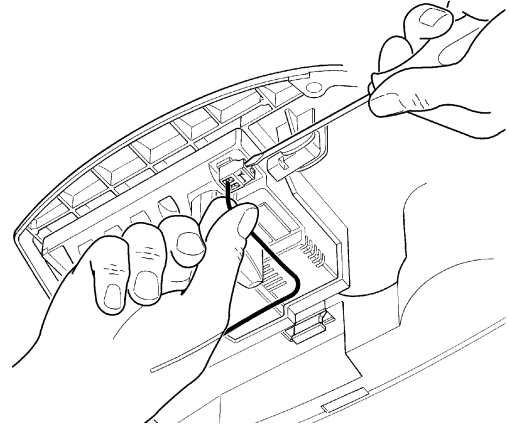
Pour la commande à distance de SPIN, la logique de commande est munie d'un connecteur SM pour récepteurs radio type SMXI ou SMXIS. Sur le SPIN20KCE et le SPIN21KCE, le récepteur radio est déjà connecté.

Sur les SPIN30, SPIN40, SN6031 et SN6041, pour connecter le récepteur radio, effectuer les opérations indiquées sur les figures 39 et 40.

1. Connecter le récepteur radio en appuyant légèrement.
2. Si l'antenne incorporée à LUCYB n'est pas utilisée ni tout autre type d'antenne externe, visser le câble rigide fourni avec le récepteur à la borne de l'antenne.



39



40

### 4.6.1) Mémorisation des émetteurs

Chaque émetteur radio est reconnu par ce récepteur radio à travers un "code" distinct de tous les autres. Il faut donc effectuer une phase de "mémorisation" à travers laquelle le récepteur est préparé à reconnaître chaque émetteur. La mémorisation des émetteurs peut se faire de deux manières:

**Mode I:** dans ce mode la fonction des touches de l'émetteur est fixe et chaque touche correspond dans la logique à la commande indiquée dans le tableau N°7; on effectue une unique phase pour chaque émetteur dont sont mémorisées toutes les touches, durant cette phase, la touche pressée n'a pas d'importance et une seule place est occupée dans la mémoire. En mode I, normalement un émetteur ne peut commander qu'un seul automatisme

**Mode II:** dans ce mode, chaque touche de l'émetteur peut être associée à l'une des 4 commandes possibles dans la logique et indiquées dans le tableau N°8 ci-après; pour chaque phase, une seule touche est mémorisée c'est-à-dire celle qui est pressée durant la phase de mémorisation. Dans la mémoire, une seule place est occupée pour chaque touche mémorisée. En mode II, les différentes touches du même émetteur peuvent être utilisées pour donner des commandes différentes au même automatisme ou pour commander des automatismes différents. Par exemple, dans le tableau N°9, seul l'automatisme "A" est commandé et les touches T3 et T4 sont associées à la même commande; ou bien dans l'exemple du tableau N°10 les 3 touches commandent 3 automatismes différents: "A" (touches T1 et T2), "B" (touche T3) et "C" (touche T4).

**⚠ Vu que les procédures de mémorisation ont un temps limite de 10 s, il faut lire d'abord les instructions données dans les paragraphes qui suivent puis les exécuter.**

**Tableau n° 7: mémorisation Mode I**

Touche T1	Commande "PP"
Touche T2	Commande "Ouverture partielle"
Touche T3	Commande "Ouverture"
Touche T4	Commande "Fermeture"

Note: les émetteurs monocanal disposent uniquement de la touche T1, les émetteurs bicanaux disposent uniquement des touches T1 et T2.

**Tableau N°8: commandes disponibles en Mode II**

1	Commande "PP"
2	Commande "Ouverture partielle"
3	Commande "Ouverture"
4	Commande "Fermeture"

**Tableau n° 9: 1° exemple de mémorisation en Mode II**

Touche T1	Commande "Ouverture"	Automatisme A
Touche T2	Commande "Fermeture"	Automatisme A
Touche T3	Commande "Ouverture partielle"	Automatisme A
Touche T4	Commande "Ouverture partielle"	Automatisme A

**Tableau n° 10: 2e exemple de mémorisation en Mode II**

Touche T1	Commande "Ouverture"	Automatisme A
Touche T2	Commande "Fermeture"	Automatisme A
Touche T3	Commande "PP"	Automatisme B
Touche T4	Commande "PP"	Automatisme C

F

#### 4.6.2) Mémorisation en Mode I

41

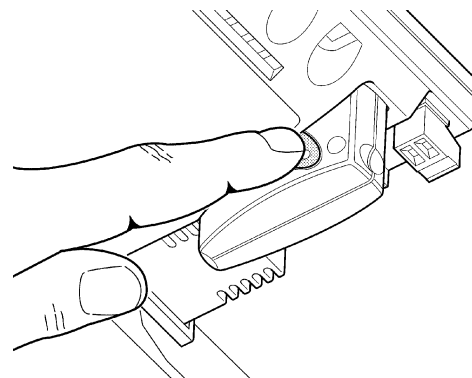










Tableau n° 11: pour mémoriser un émetteur en mode I		Exemple
1.	Presser et maintenir enfoncée la petite touche sur le récepteur (pendant environ 3 s)	 3s
2.	Relâcher la petite touche quand la led s'allume sur le récepteur	
3.	Dans les 10 s qui suivent, presser pendant au moins 2 s la touche quelconque de l'émetteur à mémoriser	 2s
4.	Si la mémorisation a été effectuée correctement la led sur le récepteur émettra 3 clignotements.	 x3

S'il y a d'autres émetteurs à mémoriser, répéter le point 3 dans les 10 s successives. La phase de mémorisation se termine automatiquement si aucun nouveau code n'est mémorisé dans les 10 secondes qui suivent.

#### 4.6.3) Mémorisation en Mode II

Tableau n° 12: pour mémoriser la touche d'un émetteur en mode II		Exemple
1.	Presser la petite touche du récepteur un nombre de fois équivalant à la commande désirée suivant le tableau N°8	 1...4
2.	Vérifier que la led du récepteur émet un nombre de clignotements équivalant à la commande désirée	 1...4
3.	Dans les 10 s qui suivent, presser pendant au moins 2 s la touche désirée de l'émetteur à mémoriser	 2s
4.	Si la mémorisation a été effectuée correctement la led sur le récepteur émettra 3 clignotements.	 x3







S'il y a d'autres émetteurs à mémoriser, répéter le point 3 dans les 10 s successives. La phase de mémorisation se termine automatiquement si aucun nouveau code n'est mémorisé dans les 10 secondes qui suivent.

#### 4.6.4) Mémorisation "à distance"

Il est possible de mémoriser un nouvel émetteur sans agir directement sur la petite touche du récepteur. Il faut disposer d'un émetteur déjà mémorisé et fonctionnant. Le nouvel émetteur "héritera" des caractéristiques de celui qui est déjà mémorisé; cela signifie que si le premier émetteur est mémorisé en mode 1, le nouveau sera mémorisé lui aussi en mode 1 et on pourra presser n'importe quelle touche des deux émetteurs. Si par contre le premier émetteur est mémorisé en mode 2, le nouveau devra être mémorisé lui aussi en mode II et il faudra presser sur le premier la touche relative à la commande désirée, et sur le nouveau la touche à laquelle on désire associer la commande en question.

**⚠ La mémorisation à distance peut s'effectuer dans tous les récepteurs qui se trouvent dans le rayon de portée de l'émetteur; il faut donc alimenter uniquement celui qui est concerné par l'opération.**

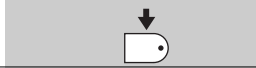


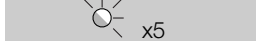
Avec les deux émetteurs, se placer dans le rayon d'action de l'automatisme et exécuter les opérations suivantes:

Tableau n° 13: pour mémoriser un émetteur "à distance"		Exemple
1.	Presser pendant au moins 5 s la touche sur le nouvel émetteur radio, puis relâcher.	 5s 
2.	Presser lentement 3 fois la touche sur l'émetteur radio déjà mémorisé.	 1s  1s  1s
3.	Presser lentement 1 fois la touche sur le nouvel émetteur radio.	 1s

Maintenant, le nouvel émetteur radio sera reconnu par le récepteur et prendra les caractéristiques qu'avait celui qui était déjà mémorisé. S'il y a d'autres émetteurs à mémoriser, répéter toutes les opérations pour chaque nouvel émetteur.

#### 4.6.5) Effacement des émetteurs radio

**Tableau n° 14: pour effacer tous les émetteurs**

	Exemple
1. Presser et maintenir enfoncée la petite touche sur le récepteur	
2. Attendre que la led s'allume, attendre qu'elle s'éteigne, puis attendre qu'elle émette 3 clignotements	
3. Relâcher la touche exactement durant le 3e clignotement	
4. Si la procédure a été effectuée correctement, au bout de quelques instants, la led émettra 5 clignotements.	

#### 4.6.6) Déclaration de conformité récepteur radio et émetteurs radio

##### Déclaration de conformité

N°: 151/SMXI

Rév03

Nice S.p.a., Via Pezza Alta 13, 31046 Rustignè di Oderzo (TV) Italia

NICE S.p.a. déclare que les récepteurs radio modèles SMXI, SMXIS et les émetteurs FLO2R-S et SM2 correspondants sont conformes aux conditions essentielles requises par la Directive R&TTE 1999/5/CE, pour l'usage auquel ces appareils sont destinés.

Fabriqué en Classe 1, Sous-classe 20

Date: 19 Marzo 2004

  
(Administrateur Délégué)  
Lauro Buoro

### 5) Essai et mise en service

Il s'agit des phases les plus importantes dans la réalisation de l'automatisation afin de garantir la sécurité maximum.

L'essai peut être utilisé également comme vérification périodique des dispositifs qui composent l'automatisme.

**⚠ L'essai de toute l'installation doit être effectué par du personnel qualifié et expérimenté qui devra se charger d'établir les essais prévus en fonction des risques présents et de vérifier le respect de ce qui est prévu par les lois, les normes et réglementations et en particulier, toutes les conditions de la norme EN 12445 qui détermine les méthodes d'essai pour la vérification des automatismes pour portails.**

#### 5.1) Essai

Chaque élément de l'automatisme comme par exemple les barres palpeuses, les photocellules, l'arrêt d'urgence, etc. demande une phase spécifique d'essai; pour ces dispositifs, il faudra effectuer les procédures figurant dans les manuels d'instructions respectifs.

Pour l'essai de SPIN effectuer les opérations suivantes:

1. Vérifier que tout ce qui est prévu est rigoureusement respecté dans le chapitre "1 Avertissements";
2. Débloquer la porte en tirant le cordon de débrayage vers le bas. Vérifier qu'il est possible de bouger manuellement le portail en ouverture et en fermeture avec une force ne dépassant pas 225 N
3. Raccrocher le chariot.
4. En utilisant le sélecteur ou l'émetteur radio ou le cordon de commande, effectuer des essais de fermeture et d'ouverture de la porte et vérifier que le mouvement correspond à ce qui est prévu.o.
5. Il faut effectuer plusieurs essais afin d'évaluer la régularité du mouvement de la porte et les éventuels défauts de montage ou de réglage ainsi que la présence de points de frottement particuliers.
6. Vérifier un par un le fonctionnement correct de tous les dispositifs de sécurité présents dans l'installation (photocellules, barres palpeuses, arrêt d'urgence, etc.); en particulier, à chaque fois qu'un dispositif intervient, la led "BLUEBUS" sur la logique de commande doit effectuer 2 clignotements plus rapides qui confirment qu'elle reconnaît l'événement.

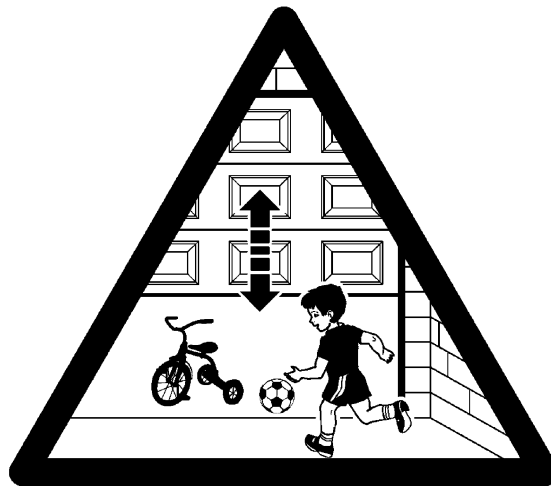
7. Pour le contrôle des photocellules et en particulier, pour contrôler qu'il n'y a pas d'interférences avec d'autres dispositifs, passer un cylindre d'un diamètre de 5 cm et d'une longueur de 30 cm sur l'axe optique, d'abord à proximité de TX, puis de RX, et enfin au centre entre les deux et vérifier que dans tous les cas le dispositif intervient en passant de l'état d'actif à l'état d'alarme et vice versa; pour finir, vérifier que cela provoque dans la logique l'action prévue; exemple: dans la manœuvre de fermeture, vérifier que cette action provoque l'inversion du mouvement.
8. Si l'on n'a pas remédié aux situations de risque liées au mouvement de la porte à travers la limitation de la force d'impact, il faut effectuer la mesure de la force d'impact suivant les prescriptions de la norme EN 12445. Si le réglage de la "Vitesse" et le contrôle de la "Force moteur" sont utilisés pour aider le système à réduire la force d'impact, essayer et trouver les réglages qui donnent les meilleurs résultats.



## 5.2) Mise en service

La mise en service ne peut être faite que si toutes les phases d'essai ont été exécutées avec résultat positif. La mise en service partielle ou dans des situations "provisoires" n'est pas autorisée.

1. Réaliser et conserver au moins 10 ans le fascicule technique de l'automatisation qui devra comprendre au moins: dessin d'ensemble de l'automatisation, schéma des connexions électriques, analyse des risques et solutions adoptées, déclaration de conformité du fabricant de tous les dispositifs utilisés (pour SPIN, utiliser la Déclaration CE de conformité ci-jointe), exemplaire du mode d'emploi et du plan de maintenance de l'automatisme.
2. Fixer de manière permanente sur la porte une étiquette ou une plaque indiquant les opérations à effectuer pour le débrayage et la manœuvre manuelle (utiliser les figures contenues dans les « Instructions et recommandations destinées à l'utilisateur de l'opérateur SPIN »).
3. Fixer de manière permanente sur la porte une étiquette ou une plaque avec cette image (hauteur minimum: 60 mm).
4. Appliquer sur la porte une plaquette contenant au moins les données suivantes: type d'automatisme, nom et adresse du constructeur (responsable de la "mise en service"), numéro de matricule, année de construction et marque "CE".
5. Remplir et remettre au propriétaire la déclaration de conformité de l'automatisme.
6. Réaliser et remettre au propriétaire de l'automatisme le manuel "Instructions et avertissements pour l'utilisation de l'automatisme".
7. Réaliser et remettre au propriétaire le plan de maintenance de l'automatisme (qui doit regrouper toutes les prescriptions pour la maintenance de chaque dispositif).
8. Avant de mettre en service l'automatisme, informer le propriétaire, de manière adéquate et par écrit (par exemple dans le manuel d'instructions et d'avertissements pour l'utilisation de l'automatisme), sur les risques encore présents.



42

## 6) Maintenance et mise au rebut

Ce chapitre contient les informations pour la réalisation du plan de maintenance et la mise au rebut de SPIN

### 6.1) Maintenance

Pour maintenir un niveau de sécurité constant et pour garantir la durée maximum de tout l'automatisme, il faut effectuer une maintenance régulière.

**⚠ La maintenance doit être effectuée dans le plein respect des consignes de sécurité du présent manuel et suivant les prescriptions des lois et normes en vigueur.**

Si d'autres dispositifs sont présents, suivre ce qui est prévu dans le plan de maintenance respectif.

1. Pour SPIN il faut effectuer une maintenance programmée au maximum dans les 6 mois ou quand 3000 manœuvres ont été effectuées depuis la dernière intervention de maintenance:
2. Couper toutes les sources d'alimentation électrique de l'automatisme, y compris les éventuelles batteries tampon.
3. Vérifier l'état de détérioration de tous les matériaux qui composent l'automatisme avec une attention particulière pour les phénomènes d'érosion ou d'oxydation des parties structurales; remplacer les parties qui ne donnent pas de garanties suffisantes.
4. Vérifier l'état d'usure des parties en mouvement: courroie, chariot, pignons et toutes les parties de la porte, remplacer les parties usées.
5. Reconnecter les sources d'alimentation électrique et effectuer tous les essais et les contrôles prévus dans le paragraphe "5.1 Essai".

### 6.2) Mise au rebut

SPIN est constitué de différents types de matériaux dont certains peuvent être recyclés (acier, aluminium, plastique, câbles électriques), d'autres devront être mis au rebut (batteries et cartes électroniques).

**⚠ Certains composants électroniques et les batteries pourraient contenir des substances polluantes, ne pas les abandonner dans la nature. Informez-vous sur les systèmes de recyclage ou de mise au rebut en respectant les normes locales en vigueur.**

1. Déconnecter l'alimentation électrique de l'automatisme et l'éventuelle batterie tampon.
2. Démonter tous les dispositifs et accessoires, suivant la procédure inverse à celle qui est décrite dans le chapitre 3 "Installation".
3. Séparer le plus possible les parties qui peuvent ou doivent être recyclées ou éliminées de manière différente, par exemple séparer les parties métalliques des parties en plastique, les cartes électroniques, les batteries, etc.
4. Trier et confier les différents matériaux ainsi séparés et recyclables à des sociétés spécialisées dans la récupération et le recyclage suivant les réglementations locales.



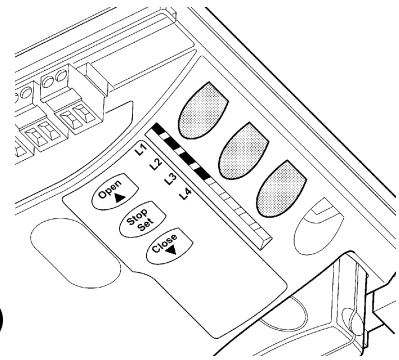
## 7) Approfondissements

Ce chapitre explique les possibilités de programmation et de personnalisation, ainsi que le diagnostic et la recherche des pannes sur SPIN

### 7.1) Touches de programmation

Sur la logique de commande de SPIN se trouvent 3 touches qui peuvent être utilisées aussi bien pour la commande de la logique durant les essais que pour les programmations:

<b>Open</b> s	La touche "OPEN" permet de commander l'ouverture de la porte ou de déplacer vers le haut le point de programmation
<b>Stop</b> <b>Set</b>	La touche "STOP" permet d'arrêter la manœuvre et si elle est pressée plus de 5 secondes, elle permet d'entrer en programmation.
<b>Close</b> t	La touche "CLOSE" permet de commander la fermeture de la porte ou de déplacer vers le bas le point de programmation.



43

F

### 7.2) Programmation

La logique de commande de SPIN possède quelques fonctions programmables; le réglage des fonctions s'effectue à travers 3 touches présentes sur la logique: **[s] [Set] [t]** et sont visualisées à l'aide de 6 led: **L1....L4**.

Les fonctions programmables disponibles sur SPIN sont réparties en deux niveaux:

**Premier niveau:** fonctions réglables en mode ON-OFF (actif ou non actif); dans ce cas, chaque led **L1....L4** indique une fonction, si elle est allumée la fonction est active, si elle est éteinte la fonction n'est pas active; voir tableau N°15.

**Deuxième niveau:** paramètres réglables sur une échelle de valeurs (valeurs de 1 à 4); dans ce cas, chaque led **L1....L4** indique la valeur réglée parmi les 6 possibles; voir tableau N°17.

#### 7.2.1) Fonctions premier niveau (fonctions ON-OFF)


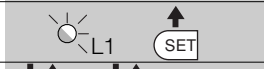



**Tableau n° 15: liste des fonctions programmables: premier niveau**

Led	Fonction	Description
<b>L1</b>	Fermeture automatique	Cette fonction permet une fermeture automatique de la porte après le temps de pause programmé; le temps de pause est réglé en usine à 20 secondes mais peut être modifié à 10, 20, 40, et 80 secondes (voir tableau 17). Si la fonction n'est pas active, le fonctionnement est « semi-automatique ».
<b>L2</b>	Refermeture après passage devant photocellule	Après que les photocellules (photo et photo II) ont été libérées, cette fonction provoque la « Fermeture automatique » avec temps de pause de 5 s, même si le temps de pause est programmé pour des valeurs plus importantes; le comportement varie selon que la « Fermeture automatique » est active ou non. <b>Avec la « fermeture automatique » active:</b> la manœuvre d'ouverture s'arrête juste après que les photocellules ont été libérées et 5 s plus tard la manœuvre de fermeture commence. Si la fonction « Refermeture après photo2 » n'est pas active, la manœuvre d'ouverture n'est pas interrompue mais la libération des photocellules provoque l'activation de la « Fermeture automatique » avec un temps de pause de 5 s. Si la fonction « Refermeture après photo » n'est pas active, il n'y aura pas de fermeture automatique.
<b>L3</b>	Force moteur	Cette fonction permet de choisir la sensibilité du contrôle de la force du moteur afin de l'adapter au type de porte. Si cette fonction est active, la sensibilité est mieux adaptée aux portes de plus petites dimensions et légères. Si cette fonction n'est pas active, la sensibilité est mieux adaptée aux portes de plus grandes dimensions et lourdes.
<b>L4</b>	Stand-By	Cette fonction permet de réduire au maximum la consommation d'énergie, elle est utile en particulier dans le fonctionnement avec batterie tampon. Si cette fonction est active, 1 minute après la fin de la manœuvre, la logique éteint BLUEBUS (et donc les dispositifs) et toutes les led sauf la led BLUEBUS qui clignotera plus lentement. Quand une commande arrive, la logique rétablit le plein fonctionnement. Si la fonction n'est pas active, il n'y aura pas de réduction des consommations.

Durant le fonctionnement normal de SPIN les led **L1....L4** sont allumées ou éteintes suivant l'état de la fonction à laquelle elles correspondent, par exemple **L1** est allumée si la "Fermeture automatique" est active.

### 7.2.2) Programmation du premier niveau (fonctions ON-OFF)

En usine, les fonctions du premier niveau sont toutes mises sur "OFF" mais on peut les modifier à tout moment comme l'indique le tableau N°16. Faire attention dans l'exécution de la procédure car il y a un temps maximum de 10 s entre la pression d'une touche et l'autre, autrement la procédure se termine automatiquement en mémorisant les modifications faites jusqu'à ce moment-là.

Tableau n° 16: pour changer les fonctions ON-OFF		Exemple
1.	Presser et maintenir enfoncée la touche <b>[Set]</b> pendant environ 3 s	
2.	Relâcher la touche <b>[Set]</b> quand la led L1 commence à clignoter	
3.	Presser les touches <b>[s]</b> ou <b>[t]</b> pour déplacer la led clignotante sur la led qui correspond à la fonction à modifier	
4.	Presser la touche <b>[Set]</b> pour changer l'état de la fonction (clignotement bref = OFF; clignotement long = ON)	
5.	Attendre 10 s pour sortir de la programmation pour temps maximum écoulé.	

Note: les points 3 et 4 peuvent être répétées au cours de la même phase de programmation pour mettre d'autres fonctions en mode ON ou OFF

### 7.2.3) Fonctions deuxième niveau (paramètres réglables)

Tableau n° 17: liste des fonctions programmables: deuxième niveau				
Led d'entrée	Paramètre	Led (niveau)	valeur	Description
L1	Temps de pause	L1	10 secondes	Règle le temps de pause, c'est-à-dire le temps avant la refermeture automatique. La fonction n'a d'effet que si la fermeture automatique est active
		L2	20 secondes	
		L3	40 secondes	
		L4	80 secondes	
L2	Fonction P.P.	L1	Ouverture - stop - fermeture- stop	Règle la séquence de commandes associées à l'entrée P.P. ou bien à la première commande radio (voir tableaux 7 et 8).
		L2	Ouverture - stop - fermeture- ouverture	
		L3	Fonctionnement collectif	
		L4	Commande "homme mort"	
L3	Vitesse moteur	L1	Très lente	Règle la vitesse du moteur durant la course normale.
		L2	Lente	
		L3	Moyenne	
		L4	Rapide	
L4	Sortie FLASH	L1	Voyant Porte ouverte	Sélectionne le dispositif connecté à la sortie FLASH
		L2	Clignotant	
		L3	Serrure électrique	
		L4	Ventouse	


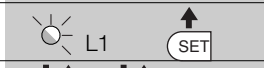


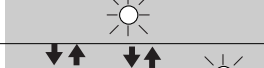



Note: "■" représente le réglage fait en usine

Tous les paramètres peuvent être réglés suivant les préférences sans aucune contre-indication; seul la sélection du dispositif connecté à la sortie « FLASH » requiert une attention particulière:

**⚠ Avant de connecter le dispositif à la sortie « FLASH », s'assurer que l'on a programmé la fonction correcte. Dans le cas contraire, le dispositif pourrait être endommagé.**

### 7.2.4) Programmation deuxième niveau (paramètres réglables)







En usine, les paramètres réglables sont réglés comme l'illustre le tableau N°17 avec: "■" mais ils peuvent être modifiés à tout moment comme l'indique le tableau N°18. Faire attention dans l'exécution de la procédure car il y a un temps maximum de 10 s entre la pression d'une touche et l'autre, autrement la procédure se termine automatiquement en mémorisant les modifications faites jusqu'à ce moment-là.

Tableau N°18: pour modifier les paramètres réglables		Exemple
1.	Presser et maintenir enfoncée la touche <b>[Set]</b> pendant environ 3 s	
2.	Relâcher la touche <b>[Set]</b> quand la led L1 commence à clignoter	
3.	Presser les touches <b>[s]</b> ou <b>[t]</b> pour déplacer la led clignotante sur la "led d'entrée" qui correspond au paramètre à modifier	
4.	Presser et maintenir enfoncée la touche <b>[Set]</b> , la pression doit être maintenue sur la touche <b>[Set]</b> pendant toute la durée des phases 5 et 6	
5.	Attendre environ 3 s puis la led qui correspond au niveau actuel du paramètre à modifier s'allumera.	
6.	Presser les touches <b>[s]</b> ou <b>[t]</b> pour déplacer la led qui correspond à la valeur du paramètre.	
7.	Relâcher la touche <b>[Set]</b>	
8.	Attendre 10 s pour sortir de la programmation pour temps maximum écoulé.	

Note: les points de 3 à 7 peuvent être répétés au cours de la même phase de programmation pour régler plusieurs paramètres

### 7.2.5 Exemple de programmation premier niveau (fonctions ON-OFF)


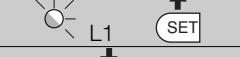
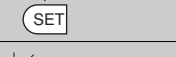
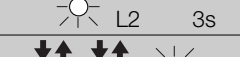



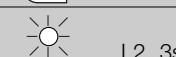



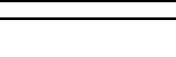
Comme exemple nous indiquons les diverses opérations à effectuer pour modifier le réglage des fonctions fait en usine pour activer les fonctions de "Fermeture Automatique" (L1) et "Ferme toujours" (L3).

Tableau n° 19: exemple de programmation premier niveau	Exemple
1. Presser et maintenir enfoncée la touche <b>[Set]</b> pendant environ 3 s	
2. Relâcher la touche <b>[Set]</b> quand la led L1 commence à clignoter	
3. Presser une fois la touche <b>[Set]</b> pour changer l'état de la fonction associée à L1 (Fermeture Automatique), maintenant la led L1 clignote avec clignotement long	
4. Presser 2 fois la touche <b>[t]</b> pour déplacer la led clignotante sur la led L3	
5. Presser une fois la touche <b>[Set]</b> pour changer l'état de la fonction associée à L3 (Force moteur), maintenant la led L3 clignote avec clignotement long	
6. Attendre 10 s pour sortir de la programmation pour temps maximum écoulé	

À la fin de ces opérations les led L1 et L3 doivent rester allumées pour indiquer que les fonctions de "Fermeture Automatique" et "Force moteur" sont actives

### 7.2.6 Exemple de programmation deuxième niveau (paramètres réglables)

Comme exemple nous indiquons la séquence d'opérations à effectuer pour modifier le réglage des paramètres réalisés en usine, augmenter le «Temps de pause» à 80 s (entrée sur L1 et niveau sur L4) et sélectionner pour la sortie «FLASH» le voyant Porte ouverte (entrée sur L4 et niveau sur L1).

Tableau n° 20: exemple de programmation deuxième niveau	Exemple
1. Presser et maintenir enfoncée la touche <b>[Set]</b> pendant environ 3 s	
2. Relâcher la touche <b>[Set]</b> quand la led L1 commence à clignoter	
3. Presser et maintenir enfoncée la touche <b>[Set]</b> ; la pression sur la touche <b>[Set]</b> doit être maintenue pendant toute la durée des phases 4 et 5	
4. Attendre environ 3 s jusqu'à l'allumage de la led L2 qui correspond au niveau actuel du "Temps de pause"	
5. Presser 2 fois la touche <b>[t]</b> pour déplacer la led allumée sur L4 qui représente la nouvelle valeur du "Temps de pause"	
6. Relâcher la touche <b>[Set]</b>	
7. Presser 3 fois la touche <b>[t]</b> pour déplacer la led clignotante sur la led L4	
8. Presser et maintenir enfoncée la touche <b>[Set]</b> ; la pression sur la touche <b>[Set]</b> doit être maintenue pendant toute la durée des phases 9 et 10	
9. Attendre environ 3 s jusqu'à ce que s'allume la led L2 qui représente le dispositif actuel associé à la sortie « FLASH », c'est-à-dire le clignotant.	
10. Presser 1 fois la touche <b>[s]</b> pour déplacer la led allumée sur L1 qui représente le nouveau dispositif associé à la sortie « FLASH », c'est-à-dire le voyant Porte ouverte.	
11. Relâcher la touche <b>[Set]</b>	
12. Attendre 10 s pour sortir de la programmation pour temps maximum écoulé	

### 7.3) Ajout ou enlèvement de dispositifs

À un automatisme avec SPIN on peut ajouter ou enlever des dispositifs à n'importe quel moment. En particulier, à "BLUEBUS" et à l'entrée "STOP" on peut connecter différents types de dispositifs

comme l'indiquent les paragraphes "7.3.1 BlueBUS" et "7.3.2 Entrée STOP".

#### 7.3.1) BlueBUS

BlueBUS est une technique qui permet d'effectuer les connexions des dispositifs compatibles avec seulement deux conducteurs sur lesquels transitent aussi bien l'alimentation électrique que les signaux de communication. Tous les dispositifs sont connectés en parallèle sur les 2 mêmes conducteurs de BlueBUS sans devoir respecter une polarité quelconque; chaque dispositif est reconnu individuellement car au cours de l'installation le système lui attribue une adresse univoque. À BlueBUS, on peut connecter par exemple: des photocellules, des dispositifs de sécurité, des boutons de commande, des voyants de signalisation, etc.

La logique de commande de SPIN reconnaît un par un tous les dispositifs connectés à travers une procédure de reconnaissance ad hoc et est en mesure de détecter de manière extrêmement sûre toutes les éventuelles anomalies. Pour cette raison, à chaque fois qu'on ajoute ou qu'on enlève un dispositif connecté à BlueBUS il faudra effectuer dans la logique la procédure de reconnaissance décrite dans le paragraphe "7.2.4 Reconnaissance d'autres dispositifs".

### 7.3.2) Entrée STOP

STOP est l'entrée qui provoque l'arrêt immédiat de la manœuvre suivi d'une brève inversion. On peut connecter à cette entrée des dispositifs avec sortie à contact normalement ouvert "NO", normalement fermé "NF" ou des dispositifs avec sortie à résistance constante 8,2kΩ, par exemple des barres palpeuses.

Comme pour BlueBUS, la logique reconnaît le type de dispositif connecté à l'entrée STOP durant la phase de reconnaissance (voir paragraphe "7.2.4 Reconnaissance d'autres dispositifs"); ensuite on a un STOP quand une variation quelconque se vérifie par rapport à l'état reconnu.

En adoptant certaines solutions on peut connecter à l'entrée STOP plus d'un dispositif, même de type différent:

- Plusieurs dispositifs NO peuvent être connectés en parallèle entre eux sans aucune limite de quantité.
- Plusieurs dispositifs NF peuvent être connectés en parallèle entre eux sans aucune limite de quantité.

- Deux dispositifs avec sortie à résistance constante 8,2kΩ peuvent être connectés en parallèle; s'il y a plus de 2 dispositifs, tous doivent être connectés en "cascade" avec une seule résistance terminale de 8,2kΩ

- Il est possible de combiner NO et NF en mettant les deux contacts en parallèle, en prenant la précaution de mettre en série au contact NF une résistance de 8,2kΩ (cela donne aussi la possibilité de combiner 3 dispositifs: NO, NF et 8,2kΩ).

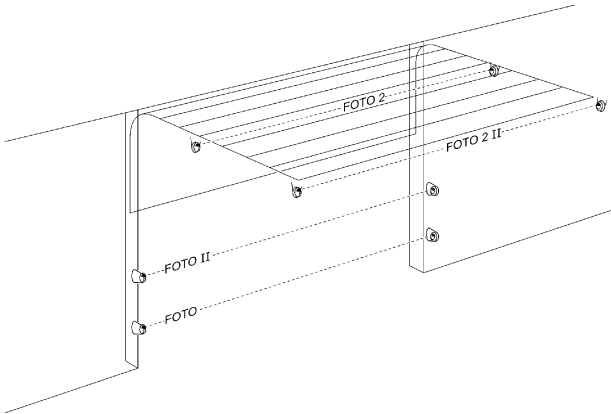
**⚠ Si l'entrée STOP est utilisée pour connecter des dispositifs ayant des fonctions de sécurité, seuls les dispositifs avec sortie à résistance constante 8,2kΩ garantissent la catégorie 3 de sécurité aux pannes selon la norme EN 954-1.**

### 7.3.3) Photocellules

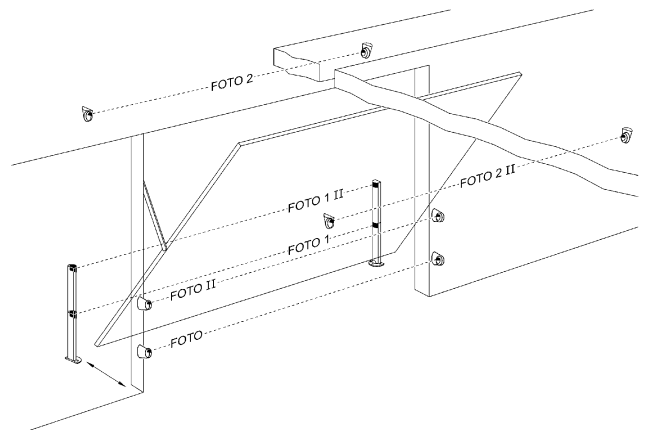
Le système "BlueBUS" permet, à travers l'adressage avec les cavaliers prévus à cet effet, la reconnaissance des photocellules de la part de la logique et d'attribuer la fonction de détection correcte. L'opération d'adressage doit être faite aussi bien sur TX que sur RX (en plaçant les cavaliers de la même manière) en vérifiant qu'il n'y a pas d'autres paires de photocellules ayant la même adresse. Dans un automatisme pour portes sectionnelles ou basculantes non débordantes, il est possible d'installer les photocellules suivant les indications de la figure 44. Dans un automatisme pour portes basculantes débordantes, se reporter à la figure 45.

Photo 2 et photo2II sont utilisées dans des installations particulières qui nécessitent la protection complète de l'automatisme, même en ouverture.

Après l'installation ou l'enlèvement de photocellules, il faudra effectuer dans la logique la phase de reconnaissance comme le décrit le paragraphe "7.3.4 Reconnaissance d'autres dispositifs".



44



45

**Tableau N°21: adresses des photocellules**

Photocellule	Cavaliers	Photocellule	Cavaliers
<b>PHOTO</b> Photocellule h = 50 avec intervention en fermeture		<b>PHOTO 2</b> Photocellule avec intervention en ouverture	
<b>PHOTO II</b> Photocellule h = 100 avec intervention en fermeture		<b>PHOTO 2 II</b> Photocellule avec intervention en ouverture	
<b>PHOTO 1</b> Photocellule h = 50 avec intervention aussi bien en fermeture qu'en ouverture		<b>PHOTO 3</b> <b>CONFIGURATION NON AUTORISÉE</b>	
<b>PHOTO 1 II</b> Photocellule h = 100 avec intervention aussi bien en fermeture qu'en ouverture			

**⚠ Sur SN6021, la sortie BlueBUS a une charge maximum de 2 unités.**

**Sur SN6031 et SN6041, la charge maximum est de 6 unités; une paire de photocellules absorbe une puissance équivalente à 1 unité BlueBUS.**

### 7.3.4) Reconnaissance d'autres dispositifs

Normalement la procédure de reconnaissance des dispositifs connectés à BlueBUS et à l'entrée STOP est effectuée durant la phase d'installation; toutefois si des dispositifs sont ajoutés ou enlevés, il est possible de refaire la reconnaissance en procédant de la manière suivante:

Tableau N°22: pour la reconnaissance d'autres dispositifs	Exemple
1. Presser et maintenir enfoncées les touches [s] et [Set]	
2. Relâcher les touches quand les led L1 et L2 commencent à clignoter très rapidement (au bout d'environ 3 s)	
3. Attendre quelques secondes que la logique termine la reconnaissance des dispositifs	
4. À la fin de la reconnaissance, les led L1 et L2 arrêteront de clignoter, la led STOP doit rester allumée, tandis que les led L1...L4 s'allumeront suivant l'état des fonctions ON-OFF auxquelles elles correspondent.	

**⚠** Après avoir ajouté ou enlevé des dispositifs, il faut effectuer de nouveau l'essai de l'automatisme suivant les indications du paragraphe "5.1 Essai".

## 7.4) Fonctions particulières

### 7.4.1) Fonction "Ouvre toujours"

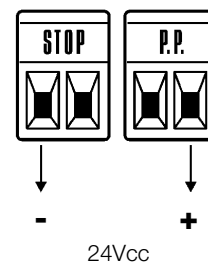
La fonction "Ouvre toujours" est une propriété de la logique de commande qui permet de commander toujours une manœuvre d'ouverture quand la commande de "Pas à Pas" a une durée supérieure à 3 secondes; c'est utile par exemple pour connecter à la borne P.P. le contact d'une horloge de programmation pour maintenir la porte ouverte pendant une certaine plage horaire. Cette propriété est valable quelle que soit la programmation de l'entrée P.P. (voir paramètre "Fonction P.P." dans le tableau N°17).

### 7.4.2) Fonction "Manœuvre dans tous les cas"

Si un dispositif de sécurité quelconque devait mal fonctionner ou tomber en panne, il est possible dans tous les cas de commander et de manœuvrer la porte en mode « Commande homme mort ». Pour tout détail, voir le paragraphe « Commande avec sécurités hors d'usage » présent dans les « Instructions et recommandations destinées à l'utilisateur de l'opérateur SPIN » ci-jointes.

### 7.5) Connexion d'autres dispositifs

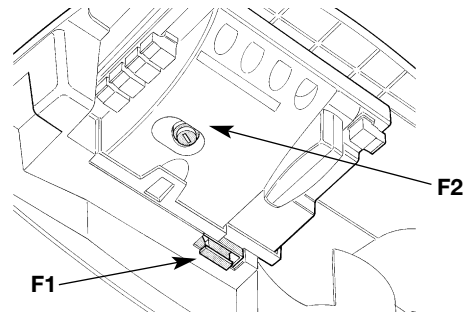
S'il est nécessaire d'alimenter des dispositifs extérieurs, par exemple un lecteur de proximité pour cartes transpondeur ou bien l'éclairage du sélecteur à clé, il est possible de prélever l'alimentation comme l'indique la figure 46. La tension d'alimentation est de 24 Vcc -30% ÷ +50% avec courant maximum disponible de 100 mA.



46

## 7.6) Résolution des problèmes

Dans le tableau suivant, on peut trouver des indications utiles pour affronter les éventuels problèmes de fonctionnement pouvant se vérifier durant l'installation ou en cas de panne..



47

**Tableau N°23: recherche des pannes**

Symptômes	Cause probable et solution possible
L'émetteur radio ne commande pas le portail et la led sur l'émetteur ne s'allume pas	Vérifier si les piles de l'émetteur sont usagées et les remplacer éventuellement.
L'émetteur radio ne commande pas la porte mais la led sur l'émetteur s'allume	Vérifier si l'émetteur est correctement mémorisé dans le récepteur radio
Aucune manœuvre n'est commandée et la led "BLUEBUS" ne clignote pas	Vérifier que SPIN est alimenté à la tension de secteur à 230 V. Vérifier si les fusibles F1 et F 2 sont grillés; si c'est le cas, identifier la cause de l'avarie et remplacer les fusibles par d'autres ayant les mêmes valeurs de courant et caractéristiques.
Aucune manœuvre n'est commandée et le clignotant est éteint.	Vérifier que la commande est effectivement reçue. Si la commande arrive à l'entrée PP la led "PP" correspondante doit s'allumer; si par contre on utilise l'émetteur radio, la led "Bluebus" doit faire deux clignotements rapides.
La manœuvre ne démarre pas et l'éclairage automatique fait quelques clignotements.	Compter le nombre de clignotements et vérifier suivant les indications du tableau N°24.
La manœuvre commence mais juste après on a une inversion.	La force sélectionnée pourrait être trop basse pour le type de porte. Vérifier s'il y a des obstacles et sélectionner éventuellement une force supérieure.
La manœuvre est effectuée régulièrement mais le dispositif connecté à la sortie FLASH ne fonctionne pas.	Vérifier que le dispositif connecté à la sortie FLASH est effectivement celui qui est programmé. Vérifier que, quand le dispositif doit être alimenté, la tension arrive sur la borne du dispositif; si la tension arrive, le problème est dû à l'ampoule qui devra être remplacée par une autre de caractéristiques identiques; s'il n'y a pas de tension, il pourrait y avoir un problème de surcharge sur la sortie, vérifier qu'il n'y a pas de court-circuit sur le câble.

## 7.7) Diagnostic signalisations

Certains dispositifs offrent directement des signalisations particulières à travers lesquelles il est possible de reconnaître l'état de fonctionnement ou l'éventuel problème.

### 7.7.1) Signalisations avec le clignotant et l'éclairage automatique

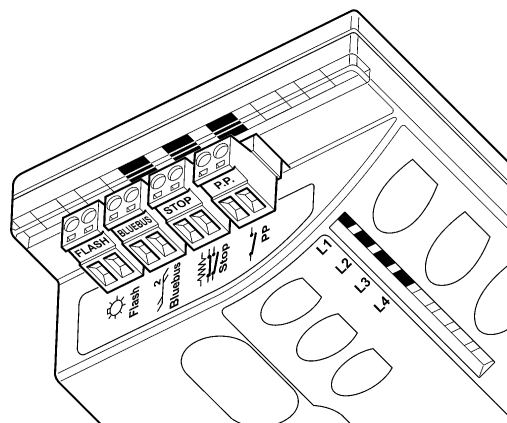
Si la sortie FLASH est programmée et qu'un clignotant est connecté, durant la manœuvre, il émet un clignotement toutes les secondes; quand des anomalies se produisent, les clignotements sont plus brefs; les clignotements se répètent deux fois, à intervalles d'une seconde. On retrouve les mêmes signalisations de diagnostic sur l'éclairage automatique.

**Tableau N°24: signalisations sur le clignotant FLASH**

Clignotements rapides	Cause	ACTION
1 clignotement pause de 1 seconde 1 clignotement	Erreur sur le BlueBUS	Au début de la manœuvre, la vérification des dispositifs connectés à BLUEBUS ne correspond pas à ceux qui sont mémorisés durant la phase de reconnaissance. Il peut y avoir des dispositifs en panne, vérifier et remplacer; si des modifications ont été faites, il faut refaire la reconnaissance (7.3.4 Reconnaissance d'autres dispositifs).
2 clignotements pause de 1 seconde 2 clignotements	Intervention d'une photocellule	Au début de la manœuvre une ou plusieurs photocellules nie l'autorisation à la manœuvre, vérifier si elles sont occultées par un obstacle. Durant le mouvement il est normal qu'un obstacle soit présent.
3 clignotements pause de 1 seconde 3 clignotements	Intervention du limiteur de la "Force moteur".	Durant le mouvement, la porte a rencontré une friction plus forte; en vérifier la cause.
4 clignotements pause de 1 seconde 4 clignotements	Intervention de l'entrée de STOP	Au début de la manœuvre ou durant le mouvement, il y a eu une intervention de l'entrée de STOP; en vérifier la cause
5 clignotements pause de 1 seconde 5 clignotements	Erreur dans les paramètres internes de la logique électronique.	Attendre au moins 30 secondes et réessayer de donner une commande; si l'état persiste, il pourrait y avoir une panne grave et il faut remplacer la carte électronique
6 clignotements pause de 1 seconde 6 clignotements	La limite maximum du nombre de manœuvres à l'heure a été dépassée.	Attendre quelques minutes que le limiteur de manœuvres retourne sous la limite maximum
7 clignotements pause de 1 seconde 7 clignotements	Erreur dans les circuits électriques internes	Déconnecter tous les circuits d'alimentation pendant quelques secondes puis tenter de redonner une commande; si l'état persiste, il pourrait y avoir une panne grave et il faut remplacer la carte électronique

### 7.7.2) Signalisations sur la logique de commande

Dans la logique de SPIN il y a une série de led qui peuvent donner chacune des signalisations particulières aussi dans le fonctionnement normal qu'en cas d'anomalie.



48

F

**Tableau N°25: led sur les bornes de la logique**

Led BLUEBUS	Cause	ACTION
Éteinte	Anomalie	Vérifier si l'alimentation arrive; vérifier si les fusibles sont intervenus; si c'est le cas, vérifier la cause de la panne et remplacer les fusibles par d'autres ayant les mêmes caractéristiques
Allumée	Anomalie grave	Il y a une anomalie grave; essayer d'éteindre la logique pendant quelques secondes; si l'état persiste, il y a une panne et il faut remplacer la carte électronique.
Un clignotement à la seconde	Tout est OK	Fonctionnement normal de la logique
2 clignotements rapides	Il y a eu une variation de l'état des entrées.	C'est normal quand il y a un changement de l'une des entrées: PP, STOP, intervention des photocellules ou quand on utilise l'émetteur radio
Série de clignotements séparés par une pause d'une seconde	Diverses	C'est la même signalisation que celle du clignotant ou de l'éclairage automatique. Voir le tableau N°24
Led STOP	Cause	ACTION
Éteinte	Intervention de l'entrée de STOP	Vérifier les dispositifs connectés à l'entrée de STOP
Allumée	Tout est OK	Entrée STOP active
Led P.P.	Cause	ACTION
Éteinte	Tout est OK	Entrée PP non active
Allumée	Intervention de l'entrée de PP	C'est normal si le dispositif connecté à l'entrée PP est effectivement actif

**Tableau N°26: led sur les touches de la logique**

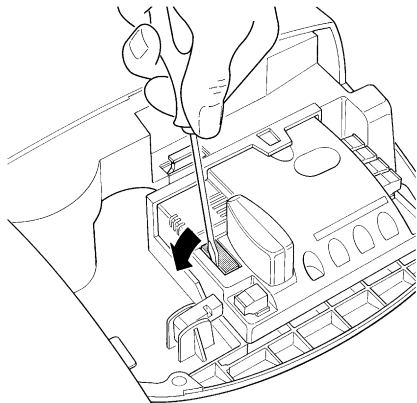
Led 1	Description
Éteinte	Durant le fonctionnement normal elle indique fonction "Fermeture automatique" non active
Allumée	Durant le fonctionnement normal elle indique fonction "Fermeture automatique" active
Clignote	<ul style="list-style-type: none"> <li>• Programmation des fonctions en cours</li> <li>• Si elle clignote en même temps que L2 cela signifie qu'il faut effectuer la reconnaissance des dispositifs (voir paragraphe "4.3 Reconnaissance des dispositifs").</li> </ul>
Led L2	Description
Éteinte	Durant le fonctionnement normal elle indique fonction "Refermeture immédiate près passage devant cellule" non active
Allumée	Durant le fonctionnement normal elle indique fonction "Refermeture immédiate après passage devant cellule" active
Clignote	<ul style="list-style-type: none"> <li>• Programmation des fonctions en cours</li> <li>• Si elle clignote en même temps que L1 cela signifie qu'il faut effectuer la reconnaissance des dispositifs (voir paragraphe "4.3 Reconnaissance des dispositifs").</li> </ul>
Led L3	Description
Éteinte	Durant le fonctionnement normal elle indique fonction "Ferme toujours" non active
Allumée	Durant le fonctionnement normal elle indique fonction "Ferme toujours" active
Clignote	<ul style="list-style-type: none"> <li>• Programmation des fonctions en cours</li> <li>• Si elle clignote en même temps que L4 cela signifie qu'il faut effectuer la reconnaissance de la longueur du portail (voir paragraphe "4.3 Reconnaissance de la longueur du portail").</li> </ul>
Led L4	Description
Éteinte	Durant le fonctionnement normal elle indique fonction "Stand-By" non active.
Allumée	Durant le fonctionnement normal elle indique fonction "Stand-By" active.
Clignote	<ul style="list-style-type: none"> <li>• Programmation des fonctions en cours</li> <li>• Si elle clignote en même temps que L3 cela signifie qu'il faut effectuer la reconnaissance des positions de la porte (voir paragraphe 4.3 « Reconnaissance des positions d'ouverture et de fermeture de la porte »).</li> </ul>

## 7.8) Accessoires

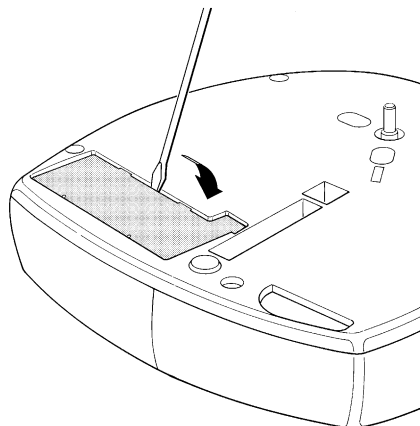
SPIN peut être équipé des accessoires en option suivants. Consulter le catalogue des produits Nice S.p.a. pour la liste complète et à jour des accessoires.

### Pour SN6031 et SN6041

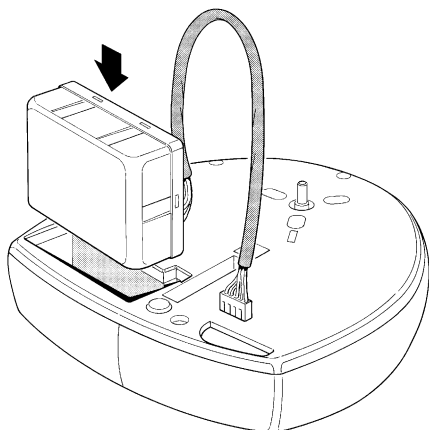
- PPS124 Batterie tampon 24 V - 1,2 Ah avec chargeur de batterie incorporé



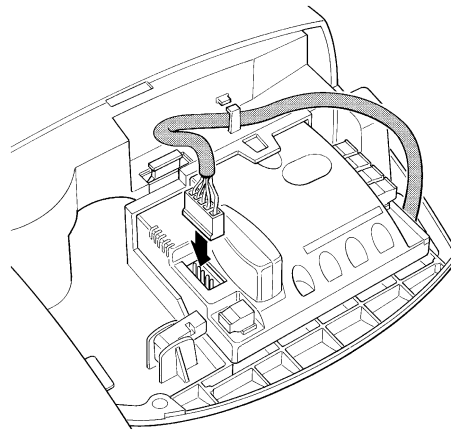
49



50



51



52

### Pour SN6031 et SN6041

- SMXI ou SMXIS Récepteur radio à 433, 92 MHz avec codage numérique à rolling code.

### Per SN6031

- SNA5 Rail à profil unique de 3 m en acier zingué. Transmission à courroie avec 4 inserts en acier.

### Pour SN6031 et SN6041

- SNA6 Rail à 2 profils de 4 m (3 m + 1 m) en acier zingué. Transmission à courroie avec 6 inserts en acier.

### Pour tous

- SPA2 Débrayage mécanique avec cordon métallique. À utiliser dans les installations qui prévoient comme point d'accès uniquement la porte à automatiser.

### Pour tous

- SPA5 Bras oscillant. Il est nécessaire quand la porte à automatiser est basculante, à contrepoids comme à ressorts.



## 8) Caractéristiques techniques

Dans le but d'améliorer ses produits, Nice S.p.a. se réserve le droit de modifier les caractéristiques techniques à tout moment et sans préavis, en garantissant dans tous les cas le bon fonctionnement et le type d'utilisation prévus.

N.B.: toutes les caractéristiques techniques se réfèrent à la température de 20°C (±5°C).

<b>Caractéristiques techniques: SPIN</b>			
<b>Modèle type</b>	<b>SN6021</b>	<b>SN6031</b>	<b>SN6041</b>
Typologie	Opérateur électromécanique pour le mouvement automatique de porte de garage à usage résidentiel avec logique électronique de commande incorporée		
Pignon	Diamètre 9,5 mm, 28 dents; pour rails SNA5, SNA6 et rails fournis avec SPIN20KCE, SPIN30 et SPIN40.		
Couple maximum au démarrage [correspondant à la capacité de mettre en mouvement un portail]	11.7Nm [650N]	11.7Nm [650N]	18Nm [1000N]
Couple nominal [correspond à la capacité de maintenir en mouvement un portail]	5.85Nm [345N]	5.85Nm [345N]	9Nm [560N]
Vitesse à vide [correspondants à si est programmée la vitesse « Rapide »]	106 tr/min [0,20m/s] La logique de commande permet de programmer 4 vitesses équivalent à 100% - 85% - 70% - 55% environ.		
Vitesse au couple nominal [correspondants à si est programmée la vitesse « Rapide »]	53 tr/min [0,08m/s]		
Fréquence maximum des cycles de fonctionnement	50 cycles/jour (la logique limite les cycles au maximum prévu dans les tableaux N°4 et N°5)		
Temps maximum de fonctionnement continu	3 minutes (la logique limite le fonctionnement continu au maximum prévu dans les tableaux N°4 et N°5)		
Limites d'utilisation	Généralement SPIN est en mesure d'automatiser des portes sectionnelles ou basculantes dont les dimensions comprises dans les valeurs indiquées dans le tableau 3 et suivant les limites prévues dans les tableaux n° 4 et n° 5.		
Alimentation SPIN	230Vac (±10%) 50/60Hz.		
Alimentation SPIN/V1	120Vac (±10%) 50/60Hz.		
Puissance maximum absorbée	250W	250W	370W
Réduction de la consommation en Stand-By	---	Inférieure à 2,2 W	Inférieure à 2,5 W
Classe d'isolement	1 (la mise à la terre est nécessaire)		
Alimentation de secours	---	Avec accessoire en option PS124	Avec accessoire en option PS124
Éclairage automatique SPIN	12V-21W douille BA15	230V-60W douille E27	230V-60W douille E27
Éclairage automatique SPIN/V1	12V-21W douille BA15	120V-60W douille E27	120V-60W douille E27
Sortie FLASH	Si elle est programmée comme « VOYANT »: pour un voyant de 24V – 5W maximum. Si elle est programmée comme « Clignotant »: pour 1 clignotant LUCYB (12V, 21W). Si elle est programmée comme « Serrure électrique »: pour serrure électrique électromécanique 24V – 10W maximum. Si elle est programmée comme « Ventouse » pour ventouse électromécanique 24V – 10W maximum.		
Charge maximum Sortie BLUEBUS	2	6	6
Entrée STOP	Pour contacts normalement fermés, normalement ouverts ou à résistance constante 8,2 kilohm; en auto-apprentissage (une variation par rapport à l'état mémorisé provoque la commande "STOP")		
Entrée PP	Pour contacts normalement ouverts (la fermeture du contact provoque la commande P.P.)		
Entrée ANTENNE Radio	52ohm pour câble type RG58 ou similaires		
Récepteur radio	Connecteur "SM" pour récepteurs type SMXI et SMXIS		
Fonctions programmables	4 fonctions de type ON-OFF et 6 fonctions réglables (voir tableaux N° 15 et N° 17)		
Fonctions en auto-apprentissage	Auto-apprentissage des dispositifs connectés à la sortie BlueBUS Auto-apprentissage du type de dispositif de "STOP" (contact NO, NF ou résistance 8,2KΩ) Auto-apprentissage des positions d'ouverture et de fermeture de la porte et calcul des points de ralentissement et ouverture partielle		
Température de fonctionnement	-20°C ÷ 50°C		
Utilisation en atmosphère particulièrement acide ou saline ou potentiellement explosive	Non		
Indice de protection	IP40 (utilisation à l'intérieur ou dans des milieux protégés)		
Dimensions et poids	311x327 h 105 / 3,6Kg		311x327 h 105 / 4,7Kg

### Caractéristiques techniques des rails

Modèle type	Rail contenu dans SPIN20KCE et SPIN30	Rail contenu dans SPIN40	SNA5	SNA6
Typologie	profil de 3 segments en acier zingué		profil unique en acier zingué	profil de 2 segments en acier zingué
Longueur	3.15m	3.15m	3.15m	4.15m
Hauteur rail	35mm	35mm	35mm	35mm
Course utile	2.5m	2.5m	2.5m	3.5m
Longueur courroie	6m	6m	6m	8m
Hauteur courroie	6mm	10mm	6mm	10mm
Résistance à la traction	730N	1220N	730N	1220N

Caractéristiques techniques	récepteur radio: SMXI	récepteur radio: SMXIS
Typologie	Récepteur à 4 canaux par radiocommande	
Fréquence	433.92MHz	
Codage	Numérique Rolling code à 52 Bit, type FLOR	Numérique Rolling code à 64 Bit, type SMILO
Compatibilité émetteurs	FLOR, VERY VR; seulement pour groupe homogène: ERGO, PLANO, PLANOTIME	SMILO
Émetteurs mémorisables	Jusqu'à 256 s'ils sont mémorisés en Mode I	
Impédance d'entrée	52Ω	
Sensibilité	supérieure à 0.5μV	
Portée des émetteurs	De 100 à 150 m, cette distance peut varier en présence d'obstacles et de parasites électromagnétiques et elle est influencée par la position de l'antenne réceptrice	
Sorties	4 (sur connecteur SM)	
Température de fonctionnement	-10°C ÷ 55°C	

Caractéristiques techniques	émetteur: FLO2R-S	émetteur: SM2
Typologie	Émetteur à 2 canaux par radiocommande	
Fréquence	433.92MHz	
Codage	Numérique Rolling code à 52 Bit, type FLOR	Numérique Rolling code à 64 Bit, type SMILO
Touches	2	
Alimentation	12 Vcc avec pile type 23 A	
Absorption	25mA	
Durée de la pile	1 an, estimée sur une base de 20 commandes/jour d'une durée de 1 s à 20°C (aux basses température l'efficacité de la pile diminue)	
Puissance irradiée	100μW	
Dimensions et poids	72 x 40 h 18mm / 30g	Diamètre 48 h 14mm / 19g
Indice de protection	IP 40 (utilisation à l'intérieur ou dans des milieux protégés)	
Température de fonctionnement	-40°C ÷ 85°C	

## Instructions et recommandations destinées à l'utilisateur de l'opérateur SPIN

Ces instructions peuvent intégrer les "Instructions et recommandations pour l'utilisation" que l'installateur doit remettre au propriétaire de l'automatisme et doivent dans tous les cas être intégrées par celles-ci.

**Félicitations** Félicitations pour avoir choisi un produit Nice pour votre automatisation! Nice S.p.A. produit des composants pour l'automatisme de portails, portes, rideaux métalliques, volets roulants et stores: opérateurs, logiques de commande, radiocommandes, clignotants, photocellules et accessoires. Nice n'utilise que des matériaux et des usinages de qualité et par vocation, elle recherche des solutions innovantes qui simplifient au maximum l'utilisation de ses appareils, très soignés sur le plan de la technique, de l'esthétique et de l'ergonomie: dans la vaste gamme Nice, votre installateur aura choisi sans aucun doute le produit le plus adapté à vos exigences. Nice n'est toutefois pas le producteur de votre automatisme qui est en effet le résultat d'un travail d'analyse, évaluation, choix des matériaux et réalisation de l'installation, exécuté par votre installateur de confiance. Chaque automatisme est unique et seul votre installateur possède l'expérience et la compétence professionnelle nécessaires pour réaliser une installation répondant à vos exigences, sûre et fiable dans le temps et surtout, exécutée dans les règles de l'art et conforme par conséquent aux normes en vigueur. Une installation d'automatisation est une belle commodité ainsi qu'un système de sécurité valable; avec quelques attentions très simples, elle est destinée à durer dans le temps. Même si l'automatisme en votre possession satisfait le niveau de sécurité requis par les normes, cela n'exclut pas la persistance d'un "risque résiduel", c'est-à-dire la possibilité de situations de danger dues généralement à une utilisation inconsciente, voire erronée. C'est la raison pour laquelle nous désirons vous donner quelques conseils sur les comportements à adopter pour éviter tout inconvénient:

- **Avant d'utiliser pour la première fois l'automatisme**, faites-vous expliquer par l'installateur l'origine des risques résiduels et consacrez quelques minutes à la lecture du manuel **d'instructions et d'avertissements pour l'utilisateur** qui vous est remis par l'installateur. Conservez le manuel pour pouvoir le consulter pour n'importe quel doute futur et remettez-le à tout nouveau propriétaire de l'automatisme.

- **Votre automatisme est un équipement qui exécute fidèlement vos commandes;** une utilisation inconsciente et incorrecte peut le rendre dangereux: ne commandez pas le mouvement de l'automatisme si des personnes, des animaux ou des objets se trouvent dans son rayon d'action.

- **Enfants:** une installation d'automatisation garantit un degré de sécurité élevé en empêchant avec ses systèmes de détection le mouvement en présence de personnes ou d'objets et en garantissant une activation toujours prévisible et sûre. Il est prudent toutefois d'éviter de laisser jouer les enfants à proximité de l'automatisme et pour éviter les activations involontaires, de ne pas laisser à leur portée les émetteurs qui commandent la manœuvre: **ce n'est pas un jeu!**

- **Anomalies:** si vous notez une anomalie quelconque

dans le fonctionnement de l'automatisme, coupez l'alimentation électrique de l'installation et procédez au débrayage manuel. Ne tentez jamais de le réparer vous-même mais demandez l'intervention de votre installateur de confiance: dans l'intervalle, l'installation peut fonctionner comme un système non automatisé, après avoir débrayé l'opérateur suivant les indications données plus loin.

- **Maintenance:** comme toutes les machines, votre automatisme a besoin d'une maintenance périodique pour pouvoir fonctionner le plus longtemps possible et en toute sécurité. Établissez avec votre installateur un plan de maintenance périodique programmée; Nice conseille une intervention tous les 6 mois pour une utilisation domestique normale mais cette période peut varier en fonction de l'intensité d'utilisation. Toute intervention de contrôle, maintenance ou réparation doit être exécutée exclusivement par du personnel qualifié.

- Même si vous estimez en être capable, ne modifiez pas l'installation et les paramètres de programmation et de réglage de l'automatisme: la responsabilité en incombe à votre installateur.

- L'essai de fonctionnement final, les maintenances périodiques et les éventuelles réparations doivent être documentés par la personne qui s'en charge et les documents doivent être conservés par le propriétaire de l'installation.

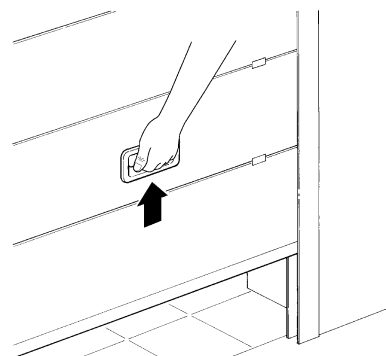
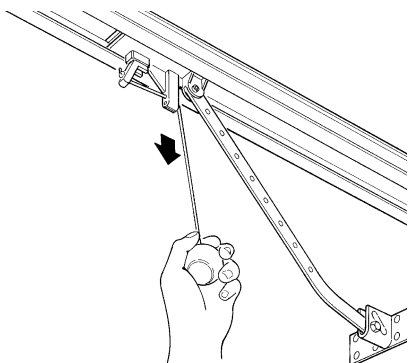
**Les seules interventions:** que l'utilisateur peut et doit effectuer périodiquement sont le nettoyage des verres des photocellules et l'élimination des feuilles et des cailloux qui pourraient bloquer l'automatisme. Pour empêcher que quelqu'un puisse actionner la porte, avant de continuer, n'oubliez pas de **débrayer l'automatisme** (comme nous l'avons décrit) et d'utiliser pour le nettoyage uniquement un chiffon légèrement imbibé d'eau.

- **Mise au rebut:** À la fin de la vie de l'automatisme, assurez-vous que le démantèlement est effectué par du personnel qualifié et que les matériaux sont recyclés ou mis au rebut en respectant les normes locales en vigueur.

- **En cas de ruptures ou absence d'alimentation électrique:** En attendant l'intervention de votre installateur (ou le retour du courant si l'installation est dépourvue de batterie tampon), l'installation peut être actionnée comme n'importe quel autre système non automatisé. Pour cela, il faut effectuer le débrayage manuel: cette opération, qui est la seule pouvant être effectuée par l'utilisateur de l'automatisme), a fait l'objet d'une étude particulière de la part de Nice pour vous assurer toujours une utilisation extrêmement simple et aisée, sans aucun outil ou effort physique.

**Débrayage et mouvement manuel:** avant d'effectuer cette opération, faire attention au fait que le débrayage ne peut être fait que lorsque la porte est à l'arrêt.

1. Tirer le cordon de débrayage vers le bas jusqu'à sentir le décrochage du chariot.
2. Il est maintenant possible d'agir manuellement sur la porte.
3. Pour rétablir le fonctionnement de l'automatisme, remettre la porte dans sa position initiale, jusqu'à sentir l'accrochage du chariot.



**Commande avec sécurités hors service:** Si les dispositifs de sécurité ne fonctionnent pas correctement ou sont hors service, on peut quand même commander la porte.

- Actionner la commande de la porte (avec la télécommande ou le sélecteur à clé). Si les sécurités donnent leur accord la porte s'ouvrira normalement, autrement: le clignotant émet quelques clignotements mais la manœuvre ne démarre pas (le nombre de clignotements dépend du motif pour lequel la manœuvre ne démarre pas).
- Maintenant, dans les 3 secondes, il faut **actionner** de nouveau la commande et la **maintenir active**.
- Au bout d'environ 2 s le mouvement de la porte commencera en mode « homme mort », c'est-à-dire que tant que la commande est maintenue, le portail continue sa manœuvre; dès que la commande est relâchée, la porte s'arrête.

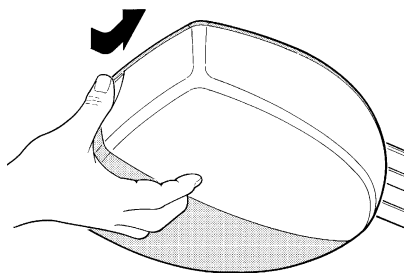
**Avec les sécurités hors service, il faut faire réparer au plus tôt l'automatisme.**

**Remplacement de la pile de l'émetteur:** si votre installation est munie d'une radiocommande qui au bout d'une certaine période présente des problèmes de fonctionnement ou ne fonctionne plus du tout, cela pourrait dépendre tout simplement du fait que la pile est usagée (suivant l'intensité d'utilisation, il peut s'écouler plusieurs mois jusqu'à plus d'un an). Vous pouvez vérifier cet état de chose si le voyant de confirmation de la transmission est faible, s'il ne s'allume plus du tout ou s'il ne s'allume qu'un bref instant. Avant de vous adresser à l'installateur, essayez de remplacer la pile en utilisant celle d'un autre émetteur qui fonctionne encore: si cette intervention remédie au problème, il vous suffit de remplacer la pile usagée par une neuve du même type.o.

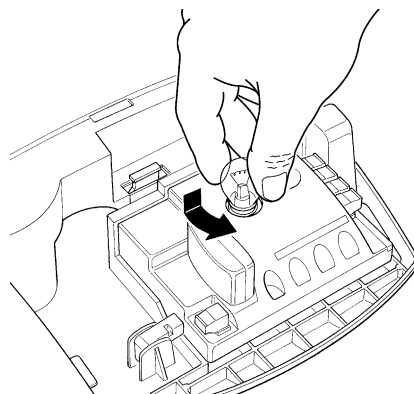
**Attention:** Les piles contiennent des substances polluantes: ne pas les jeter à la poubelle mais suivre les règles de tri sélectif prévues par les réglementations locales.

**Remplacer de l'ampoule:** avant d'effectuer cette opération, couper l'alimentation du SPIN.

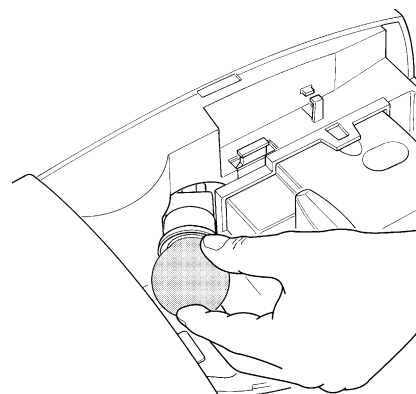
1. Ouvrir le couvercle blanc en appuyant et en le faisant tourner.



2. Pour SN6021: enlever l'ampoule en appuyant vers le haut puis en la faisant tourner. Mettre une ampoule neuve de 12 V / 21 W douille BA15



3. Pour SN6031 et SN6041: dévisser l'ampoule défectueuse. Mettre une ampoule neuve de 230 V / 60 W douille E27.



**Êtes-vous satisfait?** Si vous désirez équiper votre maison d'un nouvel automatisme, adressez-vous au même installateur et à Nice. Vous serez sûr de bénéficier ainsi, en plus du conseil d'un spécialiste et des produits les plus évolués du marché, également du meilleur fonctionnement et de la compatibilité parfaite des différents automatismes installés. Nous vous remercions d'avoir lu ces recommandations et nous espérons que votre nouvelle installation vous donnera entière satisfaction: pour tout besoin présent ou futur, adressez-vous en toute confiance à votre installateur.



# Spin

## Inhaltsverzeichnis

## S.

<b>1</b>	Hinweise	87	<b>6</b>	Wartung und Entsorgung	100
<b>2</b>	Produktbeschreibung	87	<b>6.1</b>	Wartung	100
<b>2.1</b>	Einsatzgrenzen	88	<b>6.2</b>	Entsorgung	100
<b>2.2</b>	Typische Anlage	89	<b>7</b>	Weitere Auskünfte	101
<b>2.3</b>	Kabelliste	89	<b>7.1</b>	Programmierungstasten	101
<b>3</b>	Installation	90	<b>7.2</b>	Programmierungen	101
<b>3.1</b>	Vorprüfungen	90	<b>7.2.1</b>	Funktionen erster Stufe (ON-OFF Funktionen)	101
<b>3.2</b>	Befestigung von SPIN	90	<b>7.2.2</b>	Programmierung erster Stufe (ON-OFF Funktionen)	102
<b>3.2.1</b>	Zusammenbau der mit SPIN20KCE, SPIN30 und SPIN40 gelieferten Führung	91	<b>7.2.3</b>	Funktionen zweiter Stufe (einstellbare Parameter)	102
<b>3.2.2</b>	Zusammenbau der Führung SNA5	91	<b>7.2.4</b>	Programmierung zweiter Stufe (einstellbare Parameter)	102
<b>3.2.3</b>	Zusammenbau der Führung SNA6	91	<b>7.2.5</b>	Beispiel für die Programmierung erster Stufe (ON-OFF Funktionen)	103
<b>3.2.4</b>	Befestigung des Toröffners an der Führung	92	<b>7.2.6</b>	Beispiel für die Programmierung zweiter Stufe (einstellbare Parameter)	103
<b>3.2.5</b>	Befestigung des Toröffners an der Decke	92	<b>7.3</b>	Hinzufügen / Entfernen von Vorrichtungen	103
<b>3.3</b>	Installation der verschiedenen Vorrichtungen	94	<b>7.3.1</b>	BlueBUS	103
<b>3.4</b>	Elektrische Anschlüsse	94	<b>7.3.2</b>	Eingang STOP	104
<b>3.5</b>	Beschreibung der elektrischen Anschlüsse	95	<b>7.3.3</b>	Photozellen	104
<b>4</b>	Endprüfungen und Anlassen	95	<b>7.3.4</b>	Erlernung sonstiger Vorrichtungen	105
<b>4.1</b>	Anschluss der Versorgung	95	<b>7.4</b>	Sonderfunktionen	105
<b>4.2</b>	Erlernung der Vorrichtungen	96	<b>7.4.1</b>	Funktion "Öffnet Immer"	105
<b>4.3</b>	Erlernung der Öffnungs- und Schließpositionen des Tors	96	<b>7.4.2</b>	Funktion "Todmann"	105
<b>4.4</b>	Überprüfung der Torbewegung	96	<b>7.5</b>	Verbindung sonstiger Vorrichtungen	105
<b>4.5</b>	Vorgespeicherte Funktionen	97	<b>7.6</b>	Probleme und deren Lösungen	106
<b>4.6</b>	Funkempfänge	97	<b>7.7</b>	Diagnose und Anzeigen	106
<b>4.6.1</b>	Speicherung der Sender	97	<b>7.7.1</b>	Anzeigen durch die Blinkleuchte und die zusätzliche Beleuchtung	106
<b>4.6.2</b>	Speicherung im Modus I	98	<b>7.7.2</b>	Anzeigen durch die Steuerung	107
<b>4.6.3</b>	Speicherung im Modus II	98	<b>7.8</b>	Zubehör	108
<b>4.6.4</b>	Fernspeicherung	98	<b>8</b>	Technische Merkmale	109
<b>4.6.5</b>	Löschen der Funksender	99			
<b>4.6.6</b>	Konformitätserklärung für Empfänger und Funksender	99			
<b>5</b>	Abnahme und Inbetriebsetzung	99		Anweisungen und Hinweise für den Benutzer des Toröffners SPIN	111
<b>5.1</b>	Abnahme	99			
<b>5.2</b>	Inbetriebsetzung	100			

## 1) Hinweise

Die vorliegenden Anweisungen enthalten wichtige Sicherheitsinformationen für die Installation; vor der Installation alle Anweisungen lesen und dieses Handbuch auch für die Zukunft sorgfältig aufbewahren.

Wenn in den vorliegenden Anweisungen Daten, Hinweise und sonstiges angegeben wird, das für alle Produkte gilt, wird der Name der Produktlinie "SPIN" verwendet. Die Beschreibung der einzelnen Produkte befindet sich in Kapitel "2 Produktbeschreibung".

Unter Berücksichtigung der Gefahren, die bei Installation und Bedienung von SPIN auftreten können, muss die Installation für größte Sicherheit unter voller Einhaltung von Gesetzen, Vorschriften und Verordnungen erfolgen. In diesem Kapitel sind Hinweise allgemeiner Art gegeben; weitere wichtige Hinweise befinden sich in den Kapiteln "3.1 Vorprüfungen"; "5 Abnahme und Inbetriebsetzung".

**⚠ Nach der neuesten europäischen Gesetzgebung, gehört die Realisierung einer automatischen Tür oder eines automatischen Tors zu den Verordnungen der Richtlinie 98/37/CE (Maschinenrichtlinie) und insbesondere zu den Vorschriften: EN 12445; EN 12453 und EN 12635, die es erlauben, die vermutliche Konformität zu erklären.**

Weitere Auskünfte und Hinweise zur Analyse der Risiken und der Realisierung der Technischen Unterlagen stehen in [www.niceforyou.com](http://www.niceforyou.com) zur Verfügung.

- Die vorliegende Anleitung ist nur für technisches Personal bestimmt, das für die Installation qualifiziert ist. Mit Ausnahme der Anlage „Anweisungen und Hinweise für den Benutzer des Toröffners SPIN“, die der Installateur abtrennen muss, ist keine im vorliegenden Heft enthaltene Information als interessant für den Endbenutzer zu betrachten!
- Ein Gebrauch von SPIN, der anders als in diesen Anweisungen vorgesehen ist, ist verboten; Ein unsachgemäßer Gebrauch kann Gefahren

und Personen- oder Sachschäden verursachen.

- Vor der Installation ist die Risikoanalyse auszuführen, welche die Liste der wesentlichen Sicherheitsanforderungen, vorgesehen in Anlage I der Maschinenrichtlinie einschließen und die jeweiligen, angewendeten Lösungen angeben muss. Es wird daran erinnert, dass die Risikoanalyse eine der Unterlagen ist, die Bestandteil der „Technischen Dokumentation“ der Automatisierung sind.
- Je nach Einsatzbedingungen und vorhandenen Gefahren prüfen, ob weitere Vorrichtungen und Materialien erforderlich sind, um die Automatisierung mit SPIN zu vervollständigen; berücksichtigt werden müssen zum Beispiel Aufprallgefahr, Quetsch- und Mitnehmgefahr usw. und sonstige Gefahren allgemein.
- Keine Änderungen an keinem Teil ausführen, falls nicht im vorliegenden Handbuch vorgesehen. Vorgänge dieser Art können nur Betriebsstörungen verursachen. NICE lehnt jegliche Haftung für Schäden aufgrund geänderter Produkte ab.
- Während Installation und Gebrauch vermeiden, dass Festteile oder Flüssigkeiten in die Steuerung und sonstige geöffnete Vorrichtungen eindringen können; wenden Sie sich ggf. an den NICE Kundendienst; der Gebrauch von SPIN in solchen Situationen kann Gefahren verursachen.
- Der Automatismus darf erst verwendet werden, nachdem die Inbetriebsetzung ausgeführt wurde, wie in Punkt „5 Abnahme und Inbetriebsetzung“ vorgesehen.
- Das Verpackungsmaterial von SPIN muss unter voller Einhaltung der örtlichen Vorschriften entsorgt werden.
- Wenn ein Defekt mit den im vorliegenden Handbuch gegebenen Infos nicht beseitigt werden kann, wenden Sie sich bitte an den NICE Kundendienst.
- Wenn Automatikschalter oder Sicherungen ausgelöst werden, muss vor ihrer Rückstellung der Defekt festgestellt und beseitigt werden.
- Vor dem Zugriff auf die Klemmen im Deckel von SPIN, alle Kreisläufe der Versorgung abtrennen; falls die Abtrennvorrichtung nicht sichtbar ist, ein Schild mit der Aufschrift : "ACHTUNG – WARTUNG IM GANG" anbringen.

## 2) Produktbeschreibung

SPIN ist eine Toröffnerlinie für die Automatisierung von Sektionaltoren und, mit dem nicht mitgelieferten Spezialzubehör SPA5 auch für die Automatisierung von Schwingtoren mit Federn oder Gegengewichten, die vorspringend oder nicht sein können.

Die elektrischen Verbindungen zu den externen Vorrichtungen sind dank der Anwendung von "BlueBUS" vereinfacht, eine Technik, mit der mehrere Vorrichtungen mit nur 2 Leitern angeschlossen werden können.

Die Toröffner SPIN funktionieren mit elektrischer Energie; bei Stromausfall kann die Entriegelung des Toröffners ausgeführt werden, so dass das Tor von Hand bewegt werden kann. Für die hierzu vorgesehenen Versionen kann man das Zubehör Pufferbatterie PS124 verwenden, mit dem einige Bewegungen auch bei Netzstromausfall durchgeführt werden können.

Zu der Linie SPIN gehören die in Tabelle Nr. 1 und 2 beschriebenen Produkte.

**Tabelle Nr. 1: Beschreibung der Bestandteile von SPIN**

Modell Typ	Toröffner	Führung	Funkempfänger	Funksender
SPIN20KCE	SN6021	3x1m	SMXI	FLO2R-S
SPIN21KCE	SN6021	3m	SMXI	FLO2R-S
SPIN30	SN6031	3x1m	---	---
SPIN40	SN6041	3x1m	---	---
SN6031	SN6031	---	---	---
SN6041	SN6041	---	---	---

SN6031 muss mit den Führungen SNA5 (3m) oder SNA6 (3m + 1m) vervollständigt werden.

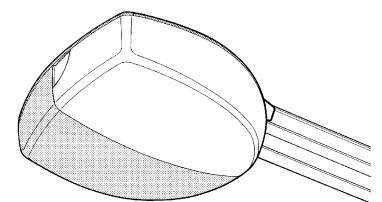
SN6041 muss mit der Führung SNA6 (3m + 1m) vervollständigt werden.

SPIN30; SPIN40; SN6031 und SN6041 können mit den Funkempfängern SMXI oder SMXIS sowie den jeweiligen Funksendern vervollständigt werden.

**Tabelle Nr. 2: Vergleich zwischen den wichtigsten Merkmalen der Toröffner SPIN**

Toröffnertyp	SN6021	SN6031	SN6041
Max. Drehmoment (entspricht der Höchstkraft)	11.7 Nm (650N)	11.7 Nm (650N)	18 Nm (1000N)
Reduzierung des Verbrauchs in Stand-By	Nein	Ja	Ja
Höchstmenge der BlueBus Einheiten	2	6	6
Notversorgung	Nein	mit PS124	mit PS124
Zusätzliche Beleuchtung (Lampensockel)	12V - 21W (BA15)	230V* - 60W (E27)	230V* - 60W (E27)

\* 120V in den Versionen SPIN/V1



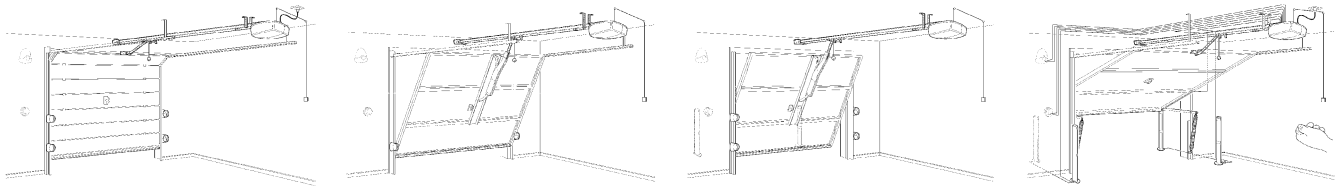
1

## 2.1 Einsatzgrenzen

Die Leistungsdaten der Produkte der Linie SPIN befinden sich in Kapitel "8 Technische Merkmale"; sie sind die einzigen Werte, die eine korrekte Bewertung der Eignung der Produkte ermöglichen.

Aufgrund ihrer strukturellen Merkmale sind die Produkte der Linie SPIN für den Einsatz an Sektional- oder Schwingtoren gemäß den in Tabelle Nr. 3, 4 und 5 angegebenen Grenzen geeignet.

<b>Tabelle Nr. 3: Einsatzgrenzen der Toröffner SPIN</b>						
Modell Typ:	SEKTIONALTOR		nicht vorspringendes SCHWINGTOR (mit Zubehör SPA5)		Vorspringendes SCHWINGTOR (mit Zubehör SPA5) oder mit Federn (ohne SPA5)	
	Höhe	Breite	Höhe	Breite	Höhe	Breite
SPIN20KCE	2.4m	4.4m	2.2m	4.2m	2.8m	4.2m
SPIN21KCE	2.4m	4.4m	2.2m	4.2m	2.8m	4.2m
SPIN30	2.4m	4.4m	2.2m	4.2m	2.8m	4.2m
SPIN40	2.4m	5.2m	2.2m	4.2m	2.8m	4.2m
SN6031 (SNA5)	2.4m	4.4m	2.2m	4.2m	2.8m	4.2m
SN6031 (SNA6)	3.4m	3.1m	3.2m	2.9m	3.5m	3.4m
SN6041 (SNA6)	3.4m	5.2m	3.2m	4.2m	3.5m	4.2m



Die Maße in Tabelle Nr. 3 dienen nur als Hinweis für eine generelle Schätzung. Ob SPIN effektiv zur Automatisierung eines bestimmten Tors geeignet ist, hängt vom Gleichgewicht des Torflügels, von der Reibung der Führungen und sonstigen, auch gelegentlichen Vorfällen ab, wie Windstärke oder Vorhandensein von Eis, das die Bewegung des Torflügels behindern könnte.

Für eine effektive Überprüfung muss die Kraft gemessen werden, die zur Bewegung des Torflügels auf seiner ganzen Laufstrecke erforderlich ist, dann prüfen, dass diese das in Kapitel "8 Technische Merkmale" angegebene Nenndrehmoment nicht überschreitet; um die Anzahl an Zyklen/Stunde und die der Zyklen nacheinander zu bestimmen, ist das in den Tabellen Nr. 4 und 5 angegebene zu berücksichtigen.

<b>Tabelle Nr. 4: Grenzen in Abhängigkeit von der Torflügelhöhe</b>		
Torflügelhöhe Meter	max. Zyklen/Stunde	max. Zyklen nacheinander
Bis zu 2	20	10
2÷2,5	15	7
2,5÷3	12	5
3÷3,5	10	4

<b>Tabelle Nr. 5: Grenzen in Abhängigkeit von der Kraft, die zur Bewegung des Torflügels notwendig ist</b>		
Kraft für die Bewegung des Torflügels N	Reduzierung der Zyklen (in Prozenten)	
	SN6021 - SN6031	SN6041
Bis zu 250	100%	100%
250÷400	70%	90%
400÷500	25%	70%
500÷650	---	40%
650÷850	---	25%

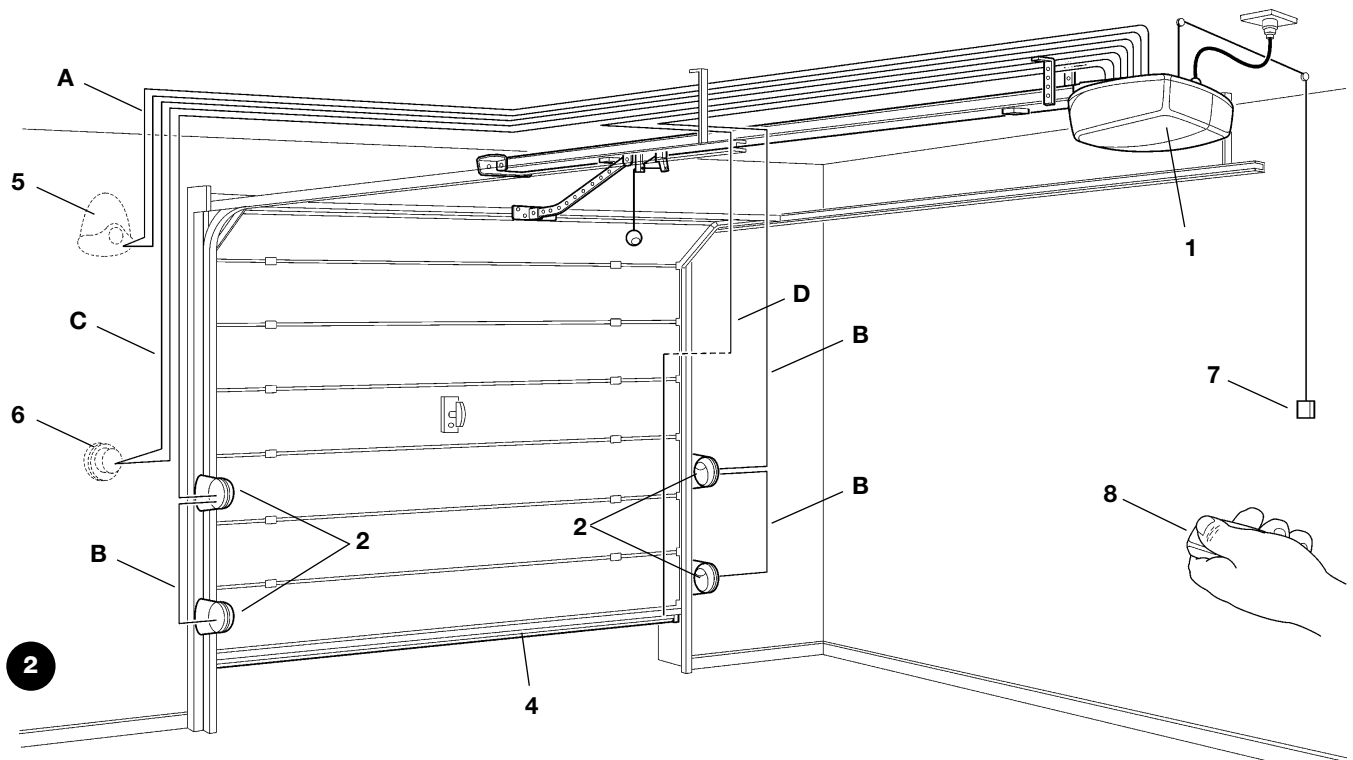
Mit der Torhöhe kann die Höchstzahl an Zyklen pro Stunde und die Höchstzahl der Zyklen nacheinander bestimmt werden, wogegen mit der zur Torflügelbewegung notwendigen Kraft der Reduzierungsanteil der Zyklen in Prozenten bestimmt werden kann. Wenn der Torflügel zum Beispiel 2,2m hoch ist, wären 15 Zyklen/Stunde und 7 Zyklen nacheinander möglich, wenn aber mit einem Toröffner SN6021 zur Bewegung des Torflügels 300N notwendig sind, müssen die Zyklen auf 70% reduziert werden; das Ergebnis ist daher 10 Zyklen/Stunde und ca. 5 Zyklen nacheinander. Um Überhitzungen zu vermeiden, sieht die Steuerung einen Begrenzer vor, der sich auf die Beanspruchung des Motors und die Dauer der Zyklen beruht und bei Überschreitung der Höchstgrenze eingreift.

**Anmerkung:** 1Kg = 9.81N, daher z. B. 500N = 51Kg



## 2.2) Typische Anlage

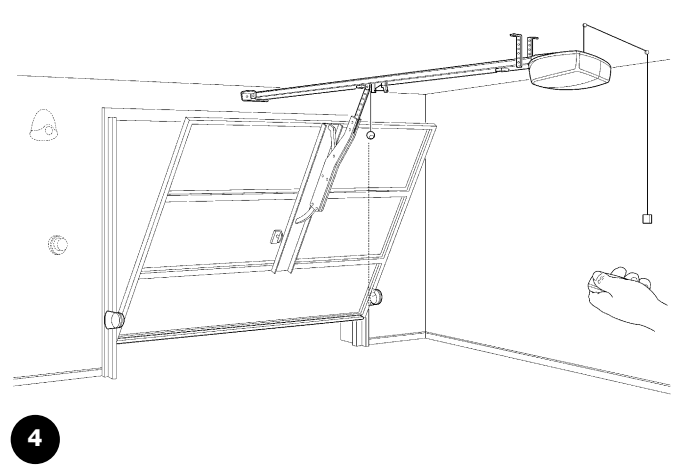
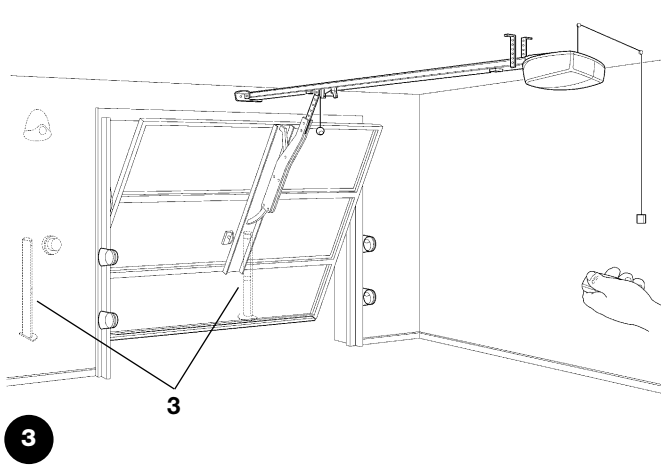
In Abbildung 2 ist eine typische Installation für ein Sektionaltor gezeigt.



- |  |  |                                       |
|--|--|---------------------------------------|
| 1 SPIN                                     | 4 Hauptschaltleiste                    | 7 Seil für die Schrittbetriebfunktion |
| 2 Photozellen                              | 5 Blinkleuchte mit eingebauter Antenne | 8 Funksender                          |
| 3 Photozellen auf Standsäule (Abbildung 3) | 6 Schlüsseltaster                      |                                       |

Die Abbildungen 3 und 4 zeigen typische Installationsbeispiele für ein vorspringendes und ein nicht vorspringendes Schwingtor.

**⚠ Für die Installation an Schwingtoren ist das Zubehör SPA5 erforderlich.**



## 2.3) Kabelliste

In der typischen Anlage in Abbildung 2 sind auch die Kabel angegeben, die zur Verbindung der verschiedenen Vorrichtungen erforderlich sind; in Tabelle Nr. 6 sind die Merkmale der Kabel verzeichnet.

**⚠ Die benutzten Kabel müssen für die jeweilige Installation geeignet sein; zum Beispiel wird ein Kabel des Typs H03VV-F zum Verlegen in Innenräumen empfohlen..**

**Tabelle Nr. 6: Kabelliste**

Anschluss	Kabeltyp	Zulässige Höchstlänge
A: Blinkleuchte mit Antenne	Nr. 1 Kabel 2x0,5mm <sup>2</sup> Nr. 1 Abschirmkabel des Typs RG58	20m 20m (kürzer als 5m wird empfohlen)
B: Photozellen	Nr. 1 Kabel 2x0,5mm <sup>2</sup>	30m
C: Schlüsseltaster	Nr. 2 Kabel 2x0,5mm <sup>2</sup> (Anmerkung 1)	50m
D: Hauptschaltleiste	Nr. 1 Kabel 2x0,5mm <sup>2</sup> (Anmerkung 2 - 3)	30m

**NAmerkung 1:** die beiden Kabel 2x0,5mm<sup>2</sup> können mit nur einem Kabel 4x0,5mm<sup>2</sup> ersetzt werden.

**NAmerkung 2:** wenn mehr als eine Schaltleiste vorhanden ist, siehe das Kapitel "7.3.2 Eingang STOP" für die empfohlene Verbindung

**NAmerkung 3:** zur Verbindung der Schaltleisten an Toren sind geeignete Vorrichtungen zu verwenden, welche die Verbindung auch mit dem sich bewegendem Torflügel ermöglichen.

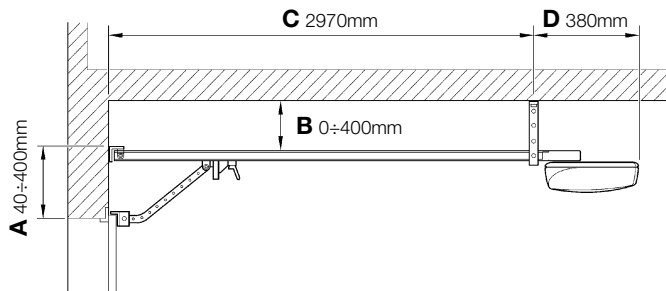
### 3) Installation

**⚠ Die Installation von SPIN muss von qualifiziertem Personal unter genauester Beachtung der Gesetze, Vorschriften und Verordnungen und der Angaben in den vorliegenden Anweisungen ausgeführt werden.**

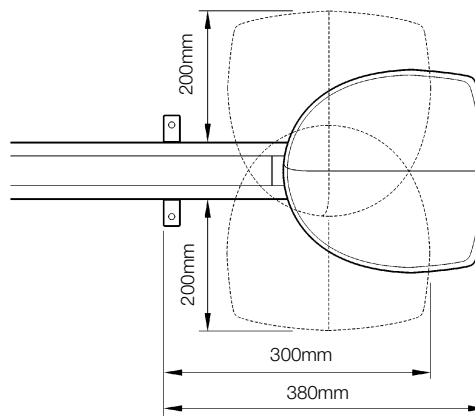
#### 3.1 Vorprüfungen

Vor der Installation von SPIN müssen folgende Kontrollen ausgeführt werden:

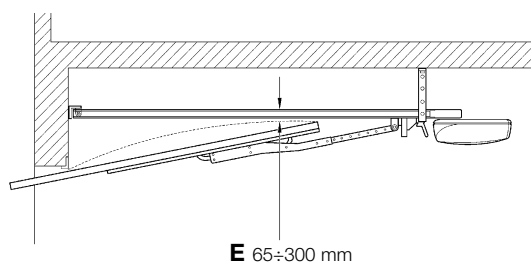
- Prüfen, dass das gesamte benutzte Material in bestem Zustand, für den Einsatz geeignet und mit den Vorschriften konform ist.
- Prüfen, dass die Struktur des Tors so ist, dass es automatisiert werden kann.
- Prüfen, dass sich Motorkraft und Abmessungen des Torflügels innerhalb der Einsatzgrenzen in Kapitel "2.1 Einsatzgrenzen" befinden.
- Durch Vergleich mit den Werten in Kapitel "8 Technische Merkmale" prüfen, dass die statische Reibung (bzw. die zur Bewegung des Torflügels notwendige Kraft) kleiner als die Hälfte des "maximalen Drehmoments" ist, und dass die dynamische Reibung (bzw. die Kraft, die notwendig ist, um den Torflügel in Bewegung zu halten) kleiner als die Hälfte des "Nenn Drehmoments" ist; eine Spanne der Kräfte von 50% wird empfohlen, da schlechte Witterung die Reibungswerte erhöhen kann.
- Prüfen, dass entlang dem gesamten Lauf des Tors sowohl in Schließung als auch in Öffnung keine größeren Reibungen vorhanden sind.
- Die Robustheit der mechanischen Anschläge kontrollieren und prüfen, dass das Tor nicht aus seinen Führungen gleiten kann.
- Prüfen, dass das Tor gut im Gleichgewicht ist: es darf sich nicht bewegen, wenn es in beliebiger Stellung stehen bleibt.
- Prüfen, ob sich die Befestigungsstellen der verschiedenen Vorrichtungen (Photozellen, Tasten, usw...) in stoßgeschützten Bereichen befinden und ob die Oberflächen ausreichend solide sind.
- Prüfen, dass die minimalen und maximalen Freiräume vorhanden sind, wie in den Abb. 5 und 6 angegeben.
- Elemente des Automatismus sollten nicht in Wasser oder andere Flüssigkeit getaucht werden können.
- Die Bestandteile von SPIN nicht in der Nähe von Wärmequellen oder Flammen halten; dies kann Schäden und Betriebsstörungen sowie Gefahren und Brand verursachen.
- Falls das Tor eine Eingangstür hat, ist sicher zu stellen, dass diese den normalen Lauf nicht behindert; ggf. ein geeignetes Verblockungssystem vorsehen.
- Falls es sich bei dem Tor, das automatisiert werden soll, um ein Schwingtor handelt, das Maß E in Abbildung 7, bzw. den Mindestabstand zwischen oberer Führungsseite und von der oberen Torkante erreichter Höchststelle überprüfen. Andernfalls kann SPIN nicht montiert werden.
- Den Stromstecker von SPIN an einer Steckdose mit Sicherheitserdung anschließen.
- Die Steckdose muss durch eine geeignete magnetothermische Differentialvorrichtung geschützt sein.



5



6



7

#### 3.2 Befestigung von SPIN

Die Befestigung von SPIN erfolgt in drei Schritten:

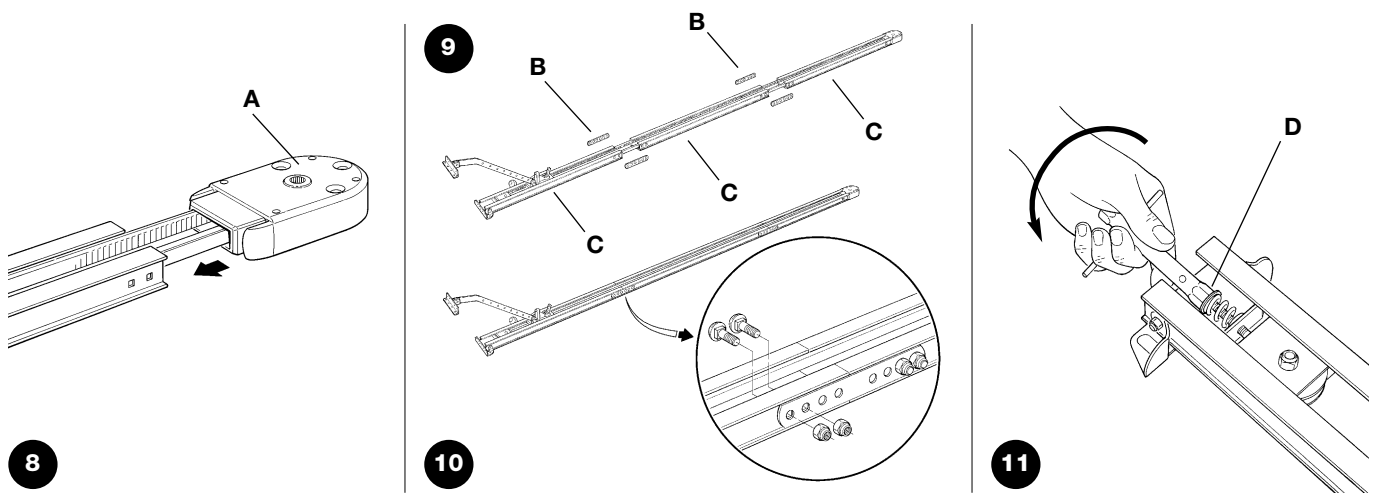
- Zusammenbau der Führung (siehe Par. 3.2.1 für Führungen, die mit SPIN20KCE, SPIN30 und SPIN40 geliefert werden, Par. 3.2.2 für die Führung SNA5 und Par. 3.2.3 für die Führung SNA6)
- Befestigung des Toröffners an der Führung (siehe Par. 3.2.4)
- Befestigung des Toröffners an der Decke (siehe Par. 3.2.5)

**⚠ Für SN6031 benötigt man eine Führung SNA5 oder SNA6, für SN6041 dagegen die Führung SNA6.**

### 3.2.1) Zusammenbau der mit SPIN20KCE, SPIN30 und SPIN40 gelieferten Führung

Die mit SPIN20KCE, SPIN30 und SPIN40 gelieferte Führung muss wie folgt zusammengebaut werden:

1. Die drei Teile, aus denen die Führung besteht, so anordnen, dass sie miteinander vereint werden können. Die Stellung des Riemens beachten: die Zahnung muss nach innen gerichtet sein, sie muss gerade sein; der Riemen darf nicht verwickelt sein.
2. Das Kopfteil der Führung (A) gemäß Abbildung 8 zusammenbauen. Hierzu ist eine gewisse Kraft erforderlich; ggf. einen Gummihammer benutzen.
3. Die drei Teile (C) mit Hilfe der Verbindungsbügel (B) miteinander vereinen – siehe die Abb. 9 und 10.
4. Den Riemen mit der Mutter M8 (D) spannen – siehe Abb. 11 – bis er genügend gespannt ist.



### 3.2.2) Zusammenbau der Führung SNA5

Die Führung SNA5 wird vormontiert geliefert. Die einzige Arbeit, die getan werden muss, ist den Riemen mit der Mutter M8 (D) zu spannen – siehe Abbildung 11 – bis er genügend gespannt ist.

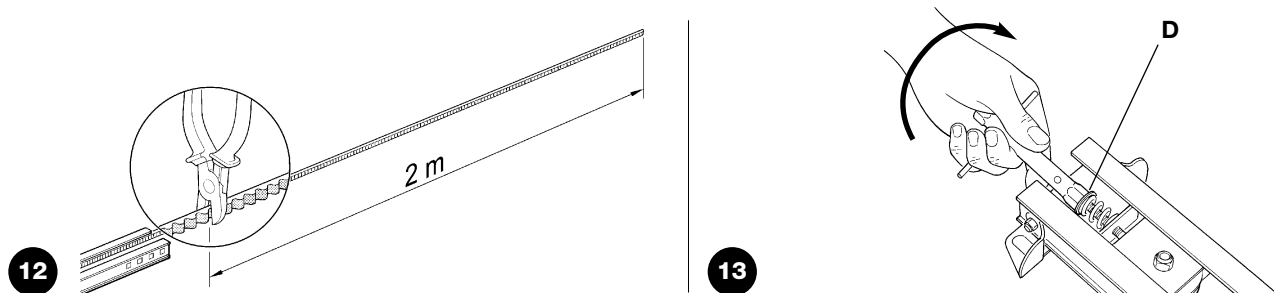
### 3.2.3) Zusammenbau der Führung SNA6

Die Führung SNA6 besteht aus 2 Profilen: das eine ist 3m lang, das andere 1m, so dass man die Führung in 2 Versionen zusammenbauen kann.

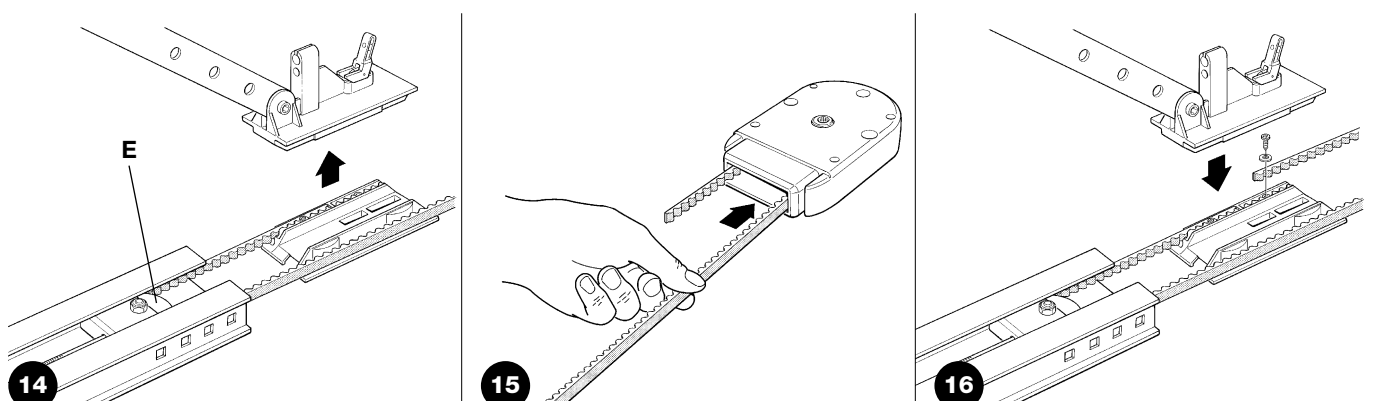
#### 3m lange Version

Falls das zu automatisierende Tor eine Höhe von oder unter 2,5m hat, die Führung wie folgt zusammenbauen:

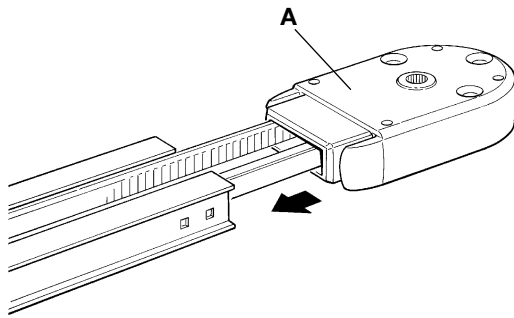
1. Den Riemen am freien Ende auf eine Länge von genau 2m schneiden – siehe Abbildung 12.
2. Die Mutter M8 (D) ganz abschrauben – siehe Abbildung 13.



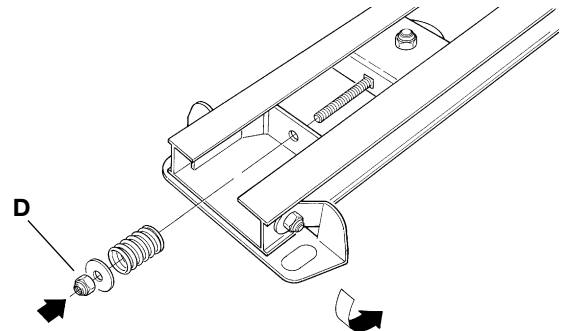
3. Den Riemenspanner (E) bis zur Hälfte der Führung gleiten lassen - siehe Abbildung 14 – und den Wagen ganz herausziehen.
4. Das freie Riemenende durch das Kopfteil führen - siehe Abbildung 15 – und mit den bereits vorhandenen Schrauben und Unterlegscheiben am Wagen befestigen – siehe Abbildung 16. Die Stellung des Riemens beachten: die Riemenzahnung muss nach innen gerichtet sein, sie muss gerade sein; der Riemen darf nicht verwickelt sein.



- Riemenspanner und Wagen wieder in ihre Anfangsstellung bringen. Das Kopfteil der Führung (A) zusammenbauen - siehe Abbildung 17. Hierzu ist eine gewisse Kraft erforderlich; ggf. einen Gummihammer benutzen.
- Die Feder, die Unterlegscheibe und die Mutter M8 (D) in die Schraube des Kettenspanners stecken - siehe Abbildung 18.
- Den Riemen mit der Mutter M8 (D) spannen – siehe Abb. 11 – bis er genügend gespannt ist.



17



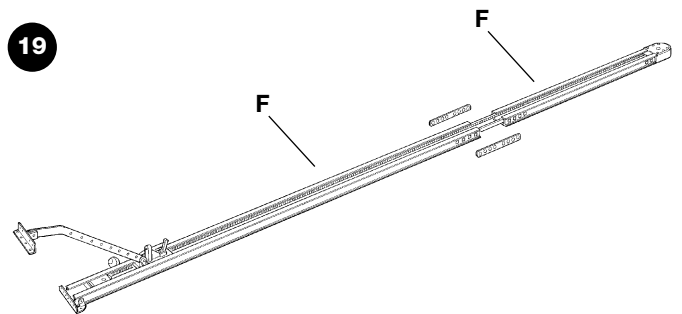
18

#### 4m lange Version

Falls das zu automatisierende Tor eine Höhe über 2,5m hat, die Führung wie folgt zusammenbauen:

- Die Mutter M8 (D) ganz abschrauben – siehe Abbildung 13.
- Den Riemenspanner (E) bis zur Hälfte der Führung gleiten lassen - siehe Abbildung 14 – und den Wagen ganz herausziehen.
- Das freie Riemenende durch das Kopfteil führen - siehe Abbildung 15 – und mit den bereits vorhandenen Schrauben und Unterlegscheiben am Wagen befestigen – siehe Abbildung 16. Die Stellung des Riemen beachten: die Riemenzahnung muss nach innen gerichtet sein, sie muss gerade sein; der Riemen darf nicht verwickelt sein.
- Das Kopfteil der Führung (A) zusammenbauen - siehe Abbildung 17. Hierzu ist eine gewisse Kraft erforderlich; ggf. einen Gummihammer benutzen.
- Die beiden Teile (B) mit den Verbindungsbügeln (F) miteinander befestigen - siehe Abbildung 19
- Riemenspanner und Wagen wieder in ihre Anfangsstellung bringen.

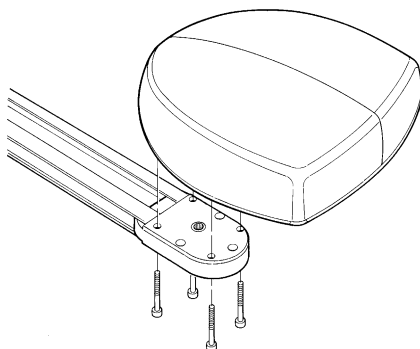
19



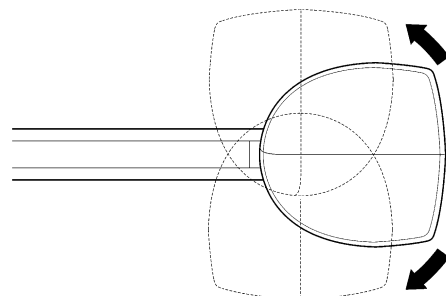
- Die Feder, die Unterlegscheibe und die Mutter M8 (D) in die Schraube des Kettenspanners stecken - siehe Abbildung 18.
- Den Riemen mit der Mutter M8 (D) spannen – siehe Abb. 11 – bis er genügend gespannt ist.

#### 3.2.4) Befestigung des Toröffners an der Führung

- Den Toröffner SPIN mit dem Kopfteil der Führung (A) vereinen; dann diesen mit den 4 Schrauben V6.3x38 befestigen - siehe Abbildung 20.
- Der Motor kann in drei verschiedene Stellungen gedreht werden, gemäß Abbildung 21.



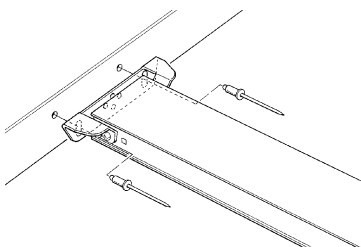
20



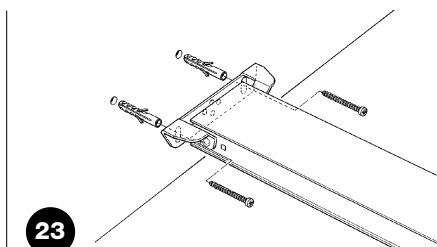
21

#### 3.2.5) Befestigung des Toröffners an der Decke

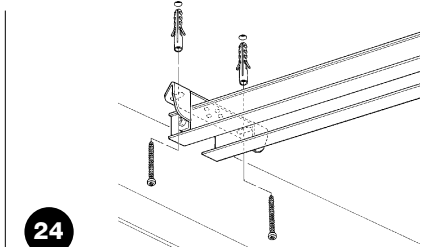
- Unter Einhaltung der Maße A und B in Abbildung 5, in der Mitte des Tors die beiden Stellen zur Befestigung des vorderen Führungsbügels aufzeichnen. Je nach Material kann der vordere Bügel mit Nieten, Dübeln oder Schrauben befestigt werden (Abbildungen 22, 23). Falls es die Maße A und B ermöglichen (Abbildung 5), kann der Bügel gemäß Abbildung 24 direkt an der Decke befestigt werden.



22

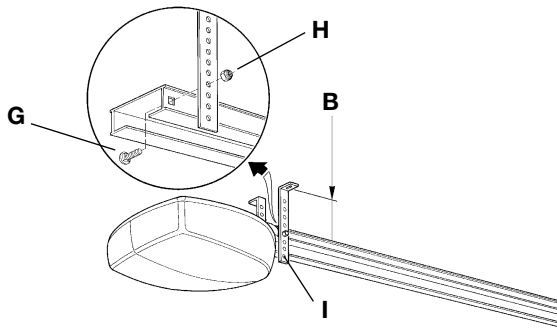


23

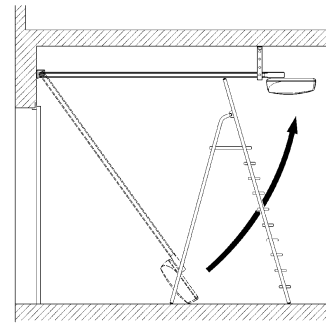


24

2. Nachdem die Bohrungen an den vorgesehenen Stellen ausgeführt sind, den Toröffner auf dem Boden lassen, die Führung vorne heben und je nach Material der Oberfläche mit zwei Schrauben, Dübeln oder Nieten befestigen.
3. Die Bügel (I) mit den Schrauben M6x15 (G) und den Muttern M6 (H) befestigen, hierbei die Bohrung auswählen, mit der das Maß B am genauesten eingehalten werden kann – siehe Abbildung 25.
4. Eine Leiter benutzen und den Toröffner heben, bis die Bügel an der Decke anliegen. Die Stellen aufzeichnen, an denen gebohrt werden soll, dann den Toröffner wieder auf den Boden legen – siehe Abbildung 26.

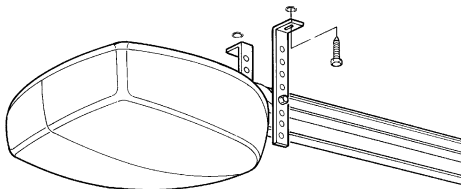


25

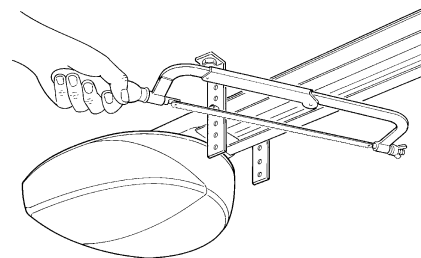


26

5. Die Bohrungen an den aufgezeichneten Stellen ausführen, dann den Toröffner mit Hilfe einer Leiter heben, bis die Bügel an den Bohrungen aufliegen. Mit für das Material geeigneten Schrauben und Dübeln befestigen – siehe Abbildung 27.
6. Prüfen, dass die Führung einwandfrei waagrecht ist, dann den überschüssigen Bügelteil absägen – siehe Abbildung 28.

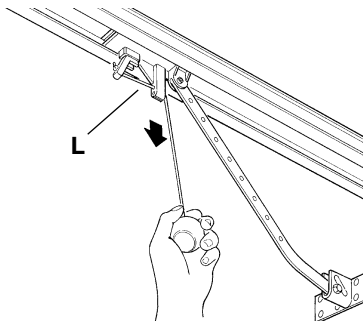


27

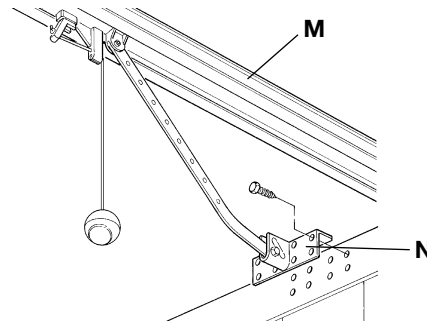


28

7. Mit geschlossenem Tor das Seil ziehen, um den Wagen (L) auszuspannen – siehe Abbildung 29.
8. Den Wagen gleiten lassen, bis sich der 90° Winkel zur Befestigung der Führung an der Wand (N) an der oberen Torkante und genau rechtwinklig zur Führung (M) befindet. Dann den 90° Winkel (N) mit Nieten oder Schrauben befestigen – siehe Abbildung 30. Für das Material des Torflügels geeignete Schrauben oder Nieten verwenden und prüfen, dass diese der gesamten Beanspruchung standhalten, die zum Öffnen und Schließen des Torflügels aufgewendet wird.

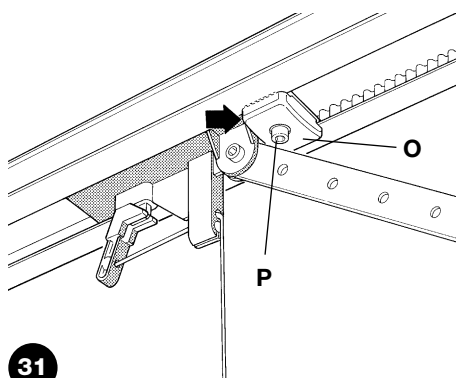


29

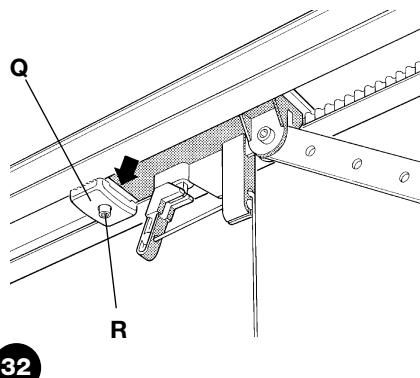


30

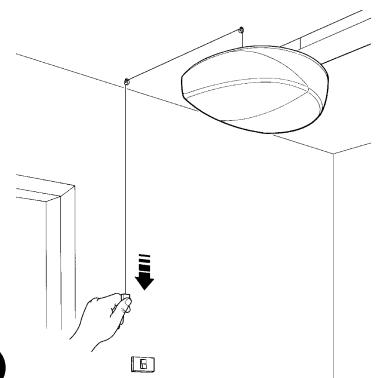
9. Die Schrauben der beiden mechanischen Endanschläge lockern, dann den vorderen mechanischen Endanschlag (O) so verschieben, dass er sich vor dem Wagen befindet – siehe Abbildung 31. Den Wagen kräftig in Schließrichtung schieben und die Schraube (P) in der erreichten Stellung fest anziehen.
10. Das Tor bis zum gewünschten Öffnungspunkt von Hand öffnen, den hinteren mechanischen Endanschlag (Q) so verschieben, dass er sich neben dem Wagen befindet – siehe Abbildung 32 – und diesen durch kräftiges Anziehen der Schraube (R) blockieren.
11. Versuchen, das Tor von Hand zu öffnen. Prüfen, ob der Wagen leicht und reibungslos auf der Führung gleitet und ob die Bewegung von Hand leicht und ohne besondere Anstrengungen erfolgt.
12. Das Steuerseil an der gewünschten Stelle im Raum anbringen, eventuell durch Ösenschrauben auf der Decke gleiten lassen – siehe Abbildung 33.



31



32



33

### 3.3) Installation der verschiedenen Vorrichtungen

Die Installation der anderen vorgesehenen Vorrichtungen nach den jeweiligen Anweisungen ausführen. In Punkt "3.5 Beschreibung der elektrischen Anschlüsse" und in Abbildung 2 die Vorrichtungen überprüfen, die an SPIN angeschlossen werden können.

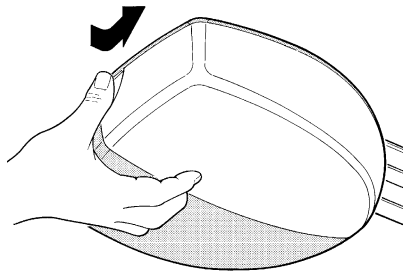
### 3.4) Elektrische Anschlüsse

**⚠ Alle elektrischen Anschlüsse müssen ohne Spannung zur Anlage und mit abgetrennter, eventueller Pufferbatterie ausgeführt werden.**

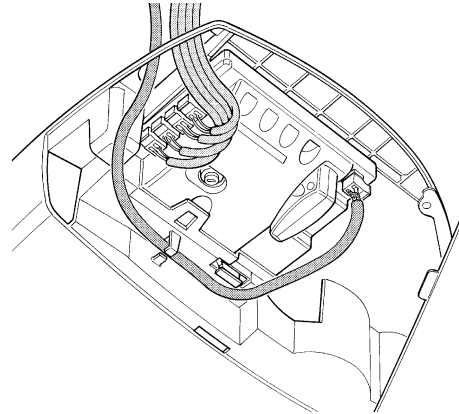
1. Um den Schutzdeckel zu entfernen und Zugang zur elektronischen Steuerung von SPIN zu erhalten, muss seitlich auf diesen gedrückt werden, dann den Decken drehen – siehe Abbildung 34.

2. Die Verbindungskabel zu den anderen Vorrichtungen durch die Bohrung führen. Die Kabel 20÷30cm länger als notwendig lassen. Das Antennekabel durch den Kabelhalterung führen. Siehe Tabelle Nr. 6 für den Kabeltyp und Abbildung 2 für die Anschlüsse.

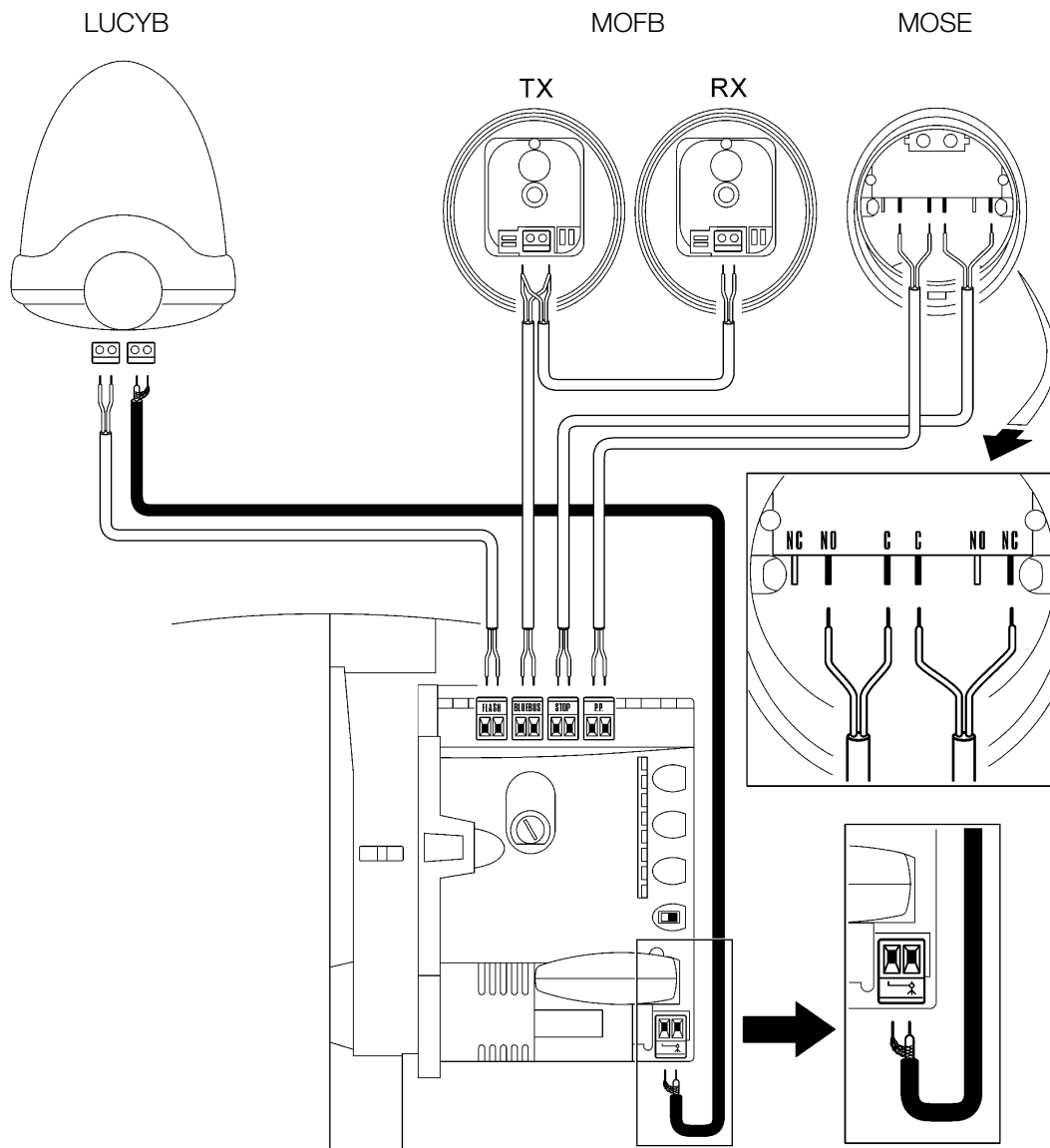
3. Die Anschlüsse der Kabel nach dem Plan in Abbildung 36 ausführen. Der Einfachheit wegen können die Klemmen abgezogen werden.



34



35

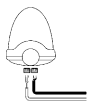


36

### 3.5) Beschreibung der elektrischen Anschlüsse

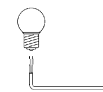
Dieser Paragraph enthält eine kurze Beschreibung der elektrischen Anschlüsse; für weitere Auskünfte wird auf Punkt "7.3 Hinzufügen oder Entfernen von Vorrichtungen" verwiesen.

**FLASH:** dieser Ausgang kann programmiert werden (siehe Par. 7.2.4), um eine der folgenden Vorrichtungen anzuschließen



#### Blinkleuchte

Falls als "Blinkleuchte" programmiert, kann am Ausgang "FLASH" eine NICE Blinkleuchte "LUCY B" mit 12V 21W Lampe automatischen Typs angeschlossen werden. Während der Bewegung blinkt sie in Abständen von 0,5 Sekunden (0,5 Sek. ein, 0,5 Sek. aus).



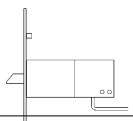
#### Ausgang "Leuchtmelder Tor geöffnet"

Falls als "Leuchtmelder Tor geöffnet" programmiert, kann am Ausgang "FLASH" ein Leuchtmelder mit 24V max 5W angeschlossen werden, der anzeigt, dass das Tor geöffnet ist. Er leuchtet, wenn das Tor geöffnet ist, und erlischt, wenn es geschlossen ist. Während der Öffnungsbewegung blinkt der Leuchtmelder langsam, während der Schließbewegung blinkt er schnell.



#### Saugscheibe

Falls als "Saugscheibe" programmiert, kann am Ausgang "FLASH" eine Saugscheibe mit 24V max 10W angeschlossen werden (Versionen nur mit Elektromagnet, ohne elektronische Vorrichtungen). Wenn das Tor geschlossen ist, aktiviert sich die Saugscheibe und blockiert das Tor. Während der Öffnungs- oder Schließbewegung wird die Saugscheibe deaktiviert.



#### Elektrosperre

Falls als "Elektrosperre" programmiert, kann am Ausgang "FLASH" eine Elektrosperre mit Schnappschloss mit 24V max 10W angeschlossen werden (Versionen nur mit Elektromagnet, ohne elektronische Vorrichtungen). Während der Öffnungsbewegung wird die Elektrosperre kurz aktiviert, um das Tor zur Bewegung frei zu geben. Bei der Schließbewegung ist sicher zu stellen, dass sich die Elektrosperre mechanisch wieder einspannt.

**⚠ KEINE ANDEREN VORRICHTUNGEN ALS DIE VORGESEHENEN VERWENDEN**

**BLUEBUS:** an dieser Klemme können kompatible Vorrichtungen angeschlossen werden; alle Vorrichtungen werden mit nur zwei Leitern für die Stromversorgung und die Kommunikationssignale parallel geschaltet. Weitere Auskünfte über BlueBUS sind in Punkt "7.3.1 BlueBUS" enthalten.

**STOP:** Eingang für Vorrichtungen, welche die laufende Bewegung blockieren oder ggf. anhalten; mit entsprechenden Maßnahmen am Eingang können „gewöhnlich geschlossene“ und „gewöhnlich geöffnete“ Kontakte oder Vorrichtungen mit gleichbleibendem Widerstand angeschlossen werden. Weitere Auskünfte über STOP sind in Punkt "7.3.2 Eingang STOP" enthalten.

**P.P. (Schrittbetrieb):** Eingang für Vorrichtungen, welche die Bewegung steuern; es können „gewöhnlich geöffnete“ Kontakte angeschlossen werden. Die Aktivierung des Steuerseils verursacht ein Signal am Eingang PP.

**ANTENNE:** Eingang für den Anschluss der Antenne für den Funkempfänger. Die Antenne ist in LUCY B eingebaut, andernfalls kann eine externe Antenne oder ein Stück Draht, bereits in der Klemme vorhanden, als Antenne benutzt werden.

## 4) Endprüfungen und Anlassen

Vor Beginn der Überprüfung und des Anlassens der Automatisierung sollte der Wagen ausgespannt und das Tor auf Laufhälfte verschoben werden, so dass es sich in Öffnung und Schließung frei bewegen kann.

### 4.1) Anschluss der Versorgung

Für die Stromversorgung zu SPIN genügt es, den Stecker von SPIN in eine Netzstromsteckdose zu stecken. Ggf. einen handelsüblichen Adapter benutze, falls der Stecker von SPIN mit der zur Verfügung stehenden Steckdose nicht übereinstimmt.

**⚠ Das mit SPIN gelieferte Kabel weder abschneiden noch entfernen. Falls keine Steckdose vorhanden ist, muss der Versorgungsanschluss zu SPIN an erfahrem Fachpersonal mit den erforderlichen Kenntnissen und unter voller Einhaltung von Gesetzen, Vorschriften und Verordnungen ausgeführt werden.**

**Die elektrische Versorgungslinie vor Kurzschluss und Erdfehlern geschützt und eine Vorrichtung vorhanden sein muss, mit der die Versorgung während der Installation oder Wartung von SPIN abgeschaltet werden kann (Stecker plus Steckdose genügen).**

Sobald SPIN mit Spannung versorgt ist, sollten einige einfache Überprüfungen ausgeführt werden:

1. Prüfen, ob die LED BLUEBUS regelmäßig einmal pro Sekunde blinkt.
2. Prüfen, ob auch die LEDs an den Photozellen (falls vorhanden) blinken (an TX und an RX); wie die LEDs blinken, ist unwichtig und auf andere Ursachen zurückzuführen.
3. Prüfen, ob die an Ausgang FLASH angeschlossene Vorrichtung ausgeschaltet ist.
4. Prüfen, ob die zusätzliche Beleuchtung ausgeschaltet ist. Falls nicht alles obige erfolgt, die Versorgung zur Steuerung unverzüglich abschalten und die elektrischen Anschlüsse genauer überprüfen.  
Weitere nützliche Hinweise für die Suche und Diagnose der Defekte finden Sie auch in Kapitel "7.6. Probleme und deren Lösungen"

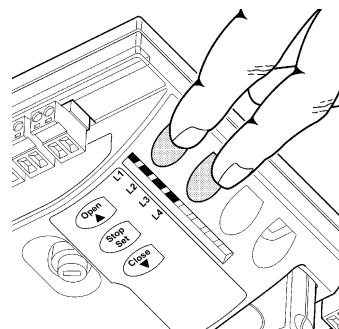


## 4.2) Erlernung der Vorrichtungen

Nach dem Anschluss der Versorgung muss die Steuerung die Vorrichtungen erlernen, die an den Eingängen BLUEBUS und STOP angeschlossen sind. Vor dieser Phase blinken die LEDs L1 und L2 und geben somit an, dass die Erlernung der Vorrichtungen ausgeführt werden muss.

**⚠ Die Erlernphase der Vorrichtungen muss auch, wenn keine Vorrichtung angeschlossen ist, ausgeführt werden.**

37



1. Auf die Tasten **[s]** e **[Set]** drücken und gedrückt halten.
2. Die Tasten loslassen, wenn die LEDs L1 und L2 sehr schnell zu blinken beginnen (nach ca. 3s)
3. Ein paar Sekunden warten, bis die Steuerung die Erlernung der Vorrichtungen beendet
4. Am Ende der Erlernung muss die LED STOP eingeschaltet bleiben, wogegen die LEDs L1 und L2 erlöschen werden (eventuell werden die LEDs L3 und L4 zu blinken beginnen)

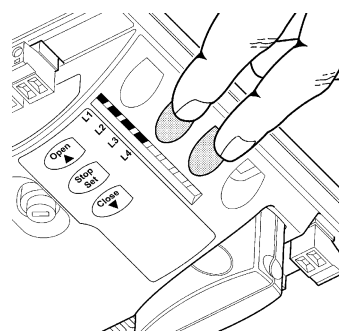
Die Erlernung der angeschlossenen Vorrichtungen kann jederzeit auch nach der Installation wiederholt werden, wenn zum Beispiel eine Vorrichtung hinzugefügt wird). Um eine neue Erlernung auszuführen, siehe Punkt "7.3.4 Erlernung sonstiger Vorrichtungen"

## 4.3) Erlernung der Öffnungs- und Schließpositionen des Tors

Nach der Erlernung der Vorrichtungen muss die Steuerung die Öffnungs- und Schließpositionen des Tors erlernen. In dieser Phase wird der Torlauf vom mechanischen Endanschlag in Schließung bis zu jenem in Öffnung gemessen.

Prüfen, dass der Mitnehmriemen gut gespannt ist und dass die beiden mechanischen Endanschläge fest blockiert sind.

38



1. Den Wagen einspannen.
2. Auf die Tasten **[t]** und **[Set]** drücken und gedrückt halten
3. Die Tasten loslassen, wenn die Bewegung beginnt (nach ca. 3s)
4. A**W**arten, bis die Steuerung die Erlernphase in Schließung, Öffnung und erneuter Schließung des Tors ausführt.
5. Das Steuerseil ziehen, um eine vollständige Öffnungsbewegung auszuführen.
6. Erneut das Steuerseil ziehen, um die Schließung auszuführen.

Während diesen Bewegungen speichert die Steuerung die Kraft, die zur Ausführung der Öffnungs- und Schließbewegung notwendig ist. Falls die LEDs L3 und L4 am Ende der Erlernung blinken, ist ein Fehler vorhanden – siehe Par. "7.6 Probleme und deren Lösung".

**Wichtig ist, dass diese ersten Bewegungen nicht unterbrochen werden, z.B. durch einen Stoppbefehl.**

**Sollte dies der Fall sein, muss die Erlernung ab Punkt 1 erneut ausgeführt werden.**

Die Erlernung der Positionen kann jederzeit, auch nach der Installation ab Punkt 1 wiederholt werden (wenn z.B. einer der mechanischen Endanschläge verschoben wird).

**⚠ Falls der Riemen während der Suche der Positionen nicht gut gespannt ist, kann sich eine Schlüpfung zwischen Riemen und Ritzel ereignen. In diesem Fall die Erlernung durch Druck auf Taste [Stop] unterbrechen, den Riemen durch Anschrauben der Mutter M8 (D) spannen – siehe Abbildung 11, dann die Erlernung ab Punkt 1 wiederholen.**

## 4.4) Überprüfung der Torbewegung

Nach der Erlernung der Öffnungs- und Schließpositionen sollten einige Bewegungen ausgeführt werden, um zu prüfen, ob sich das Tor richtig bewegt.

1. Auf Taste **[Open]** drücken, damit die Öffnungsbewegung erfolgt; prüfen, ob sich das Tor ordnungsgemäß und ohne Geschwindigkeitsschwankungen öffnet; erst wenn sich das Tor 20 bis 30 cm vom mechanischen Endanschlag in Öffnung befindet, muss es verlangsamen und 2-3 cm vor dem Endanschlag anhalten.
2. Auf Taste **[Close]** drücken, damit die Schließbewegung erfolgt; prüfen, ob sich das Tor ordnungsgemäß und ohne Geschwindigkeitsschwankungen schließt; erst wenn sich das Tor 20 bis 30 cm vom mechanischen Endanschlag in Schließung befindet, muss es verlangsamen und am Endanschlag anhalten. Dann erfolgt eine kurze Öffnungsbewegung, um die Spannung am Riemen zu entladen.
3. Während den Bewegungen prüfen, ob die Blinkleuchte (falls vorhanden) mit einer Frequenz von 0,5 Sekunden blinkt (0,5 Sek. ein und 0,5 Sek. aus).

4. Mehrere Öffnungs- und Schließbewegungen ausführen, um eventuelle Montage- oder Einstellfehler oder sonstige Störungen wie zum Beispiel Stellen mit größerer Reibung zu entdecken.
5. Prüfen, ob Toröffner, Führung und mechanische Endanschläge gut und stabil befestigt sind und auch plötzlichen Beschleunigungen oder Verlangsamungen der Torbewegung widerstehen.



#### 4.5) Bereits programmierte Funktionen

Die Steuerung von SPIN verfügt über einige programmierbare Funktionen. Werkseitig sind diese Funktionen so konfiguriert, dass sie den Bedarf der meisten Automatisierungen zufrieden stellen müssten; sie

können aber über ein entsprechendes Programmierungsverfahren jederzeit geändert werden – siehe hierzu Punkt "7.2 Programmierungen".

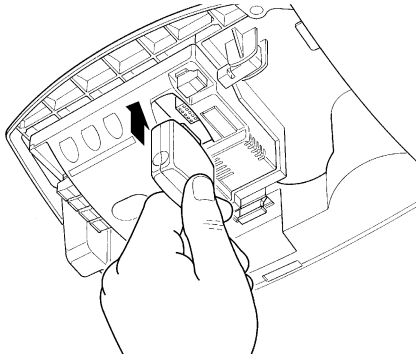
#### 4.6) Funkempfänger

Für die Fernsteuerung von SPIN ist der Steckverbinder SM an der Steuerung für die Funkempfänger des Typs SMXI oder SMXIS vorgesehen. An den SPIN20KCE und SPIN21KCE ist der Funkempfänger bereits eingeschaltet.

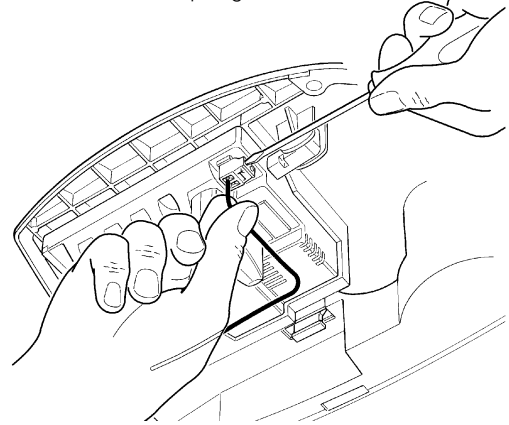
An den SPIN30, SPIN40, SN6031 und SN6041 ist zum Einschalten des

Funkempfängers wie auf den Abbildungen 39 und 40 gezeigt vorzugehen.

1. Den Funkempfänger durch leichtes Drücken einstecken.
2. Falls die in LUCYB eingebaute Antenne oder eine andere externe Antenne nicht benutzt wird, das mitgelieferte starre Kabel mit der Antenneklemme des Empfängers verschrauben.



39



40

#### 4.6.1) Speicherung der Sender

Jeder Sender wird vom Funkempfänger durch einen „Code“ erkannt, der anders als der Code jedes anderen Senders ist. Daher ist eine „Speicherungsphase“ notwendig, in der man den Empfänger darauf vorbereitet, jeden einzelnen Sender zu erkennen. Die Speicherung der Sender kann auf zwei verschiedene Arten erfolgen:

**Modus I:** Bei dieser Speicherart ist die Funktion der Sendertasten fest und jeder Taste entspricht in der Steuerung der in Tabelle Nr. 7 angegebene Befehl. Für jeden Sender führt man nur eine Speicherphase aus, bei der alle Tasten gespeichert werden. In dieser Phase ist es unwichtig, welche Taste man drückt, und es wird nur ein Speicherplatz belegt. Im Modus I kann ein Sender gewöhnlich nur eine Automatisierung steuern.

**Modus II:** in diesem Modus kann jeder einzelnen Sendertaste einer der vier möglichen Befehle der Steuerung, angegeben in Tabelle Nr. 8 zugeteilt werden; in jeder Phase wird nur eine Taste gespeichert, genauer gesagt jene, die während der Speicherphase gedrückt wird. Im Speicher wird für jede gespeicherte Taste ein Platz belegt.

Im Modus II können die verschiedenen Tasten desselben Senders benutzt werden, um derselben Automatisierung mehrere Befehle zu erteilen oder um mehrere Automatisierungen zu steuern. Zum Beispiel wird in Tabelle Nr. 9 nur die Automatisierung "A" gesteuert und die Tasten T3 und T4 sind demselben Befehl zugeteilt, oder im Beispiel in Tabelle Nr. 10 werden drei Automatisierungen gesteuert: "A" (Tasten T1 und T2), "B" (Taste T3) und "C" (Taste T4).

**⚠ Da die Speicherverfahren eine Zeitgrenze von 10s haben, die Anweisungen in den nächsten Punkten vor den Speicherungen lesen und die letzteren erst danach ausführen.**

**Tabelle Nr. 7: Speicherung im Modus I**

Taste T1	Befehl "Schrittbetrieb"
Taste T2	Befehl "Gehflügelöffnung"
Taste T3	Befehl "Öffnet"
Taste T4	Befehl "Schließt"

Anmerkung: die einkanalen Sender verfügen nur über die Taste T1, die zweikanalen Sender verfügen nur über die Tasten T1 und T2.

**Tabella N°8: Speicherung im Modus II**

1	BEFEHL "SCHRITTBETRIEB"
2	BEFEHL "GEHFLÜGELÖFFNUNG"
3	BEFEHL "ÖFFNET"
4	BEFEHL "SCHLIEBT"

**Tabelle Nr. 9: 1. Speicherbeispiel im Modus II**

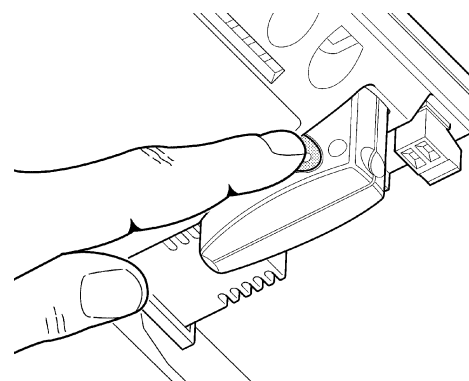
Taste T1	Befehl "Öffnet"	Automatisierung A
Taste T2	Befehl "Schließt"	Automatisierung A
Taste T3	Befehl "Gehflügelöffnung"	Automatisierung A
Taste T4	Befehl "Gehflügelöffnung"	Automatisierung A

**Tabelle Nr. 10: 2. Speicherbeispiel im Modus II**

Taste T1	Befehl "Öffnet"	Automatisierung A
Taste T2	Befehl "Schließt"	Automatisierung A
Taste T3	Befehl "Schrittbetrieb"	Automatisierung B
Taste T4	Befehl "Schrittbetrieb"	Automatisierung C

D

#### 4.6.2) Speicherung, Modus I



41

Tabelle Nr. 11: zum Speichern eines Senders im Modus I		Beispiel
1.	Auf die kleine Taste am Empfänger drücken und gedrückt halten (ca. 3s lang)	3s
2.	Die Taste loslassen, wenn die LED am Empfänger aufleuchtet	
3.	Innerhalb von 10s mindestens 2s auf eine beliebige Taste des zu speichernden Funksenders drücken	2s
4.	Die LED am Empfänger wird 3 Mal blinken, falls die Speicherung erfolgreich war.	x3

Zur Speicherung weiterer Sender, Schritt 3 innerhalb weiterer 10s wiederholen.  
Die Speicherphase wird automatisch beendet, falls innerhalb von 10s keine neuen Codes erhalten werden.

#### 4.6.3) Speicherung, Modus II

Tabelle Nr. 12: zum Speichern der Taste eines Senders im Modus II		Beispiel
1.	Auf die kleine Taste am Empfänger sooft drücken, wie der gewünschte Steuerbefehl ist – siehe Tabelle Nr. 8	1...4
2.	Prüfen, ob die LED am Empfänger sooft blinkt, wie der gewählte Steuerbefehl ist.	1...4
3.	Innerhalb von 10s mindestens 2s auf die gewünschte Taste des zu speichernden Funksenders drücken	2s
4.	Die LED am Empfänger wird 3 Mal blinken, falls die Speicherung erfolgreich war.	x3

Zur Speicherung weiterer Sender für den gleichen Steuerbefehl, Schritt 3 innerhalb weiterer 10s wiederholen.  
Die Speicherphase wird automatisch beendet, falls innerhalb von 10s keine neuen Codes erhalten werden.

#### 4.6.4) Fernspeicherung

Ein neuer Sender kann auch ohne direkte Betätigung der kleinen Taste am Empfänger gespeichert werden. Man muss dazu über einen bereits gespeicherten und funktionierenden Sender verfügen. Der neue Sender wird die Merkmale des bereits gespeicherten erben; wenn daher der erste Sender in "Modus I" gespeichert ist, wird auch der neue Sender in "Modus I" gespeichert; in diesem Fall kann auf eine beliebige Taste der Sender gedrückt werden. Ist der bereits funktionierende Sender dagegen in "Modus II" gespeichert, so wird auch der neue in Modus II gespeichert und es wird daher sehr wichtig, am ersten Sender die Taste des gewünschten Steuerbefehls und am zweiten Sender die Taste zu drücken, der man jenen Steuerbefehl zuteilen will.


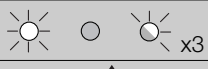


**⚠ Die Fernspeicherung kann in allen Empfängern innerhalb der Reichweite des Senders erfolgen; daher nur den betreffenden Empfänger gespeist halten.**

Mit beiden Sendern im Aktionsbereich der Automatisierung folgende Schritte ausführen:

Tabelle Nr. 13: Fernspeicherung eines Senders		Beispiel
1.	Mindestens 5s auf die Taste des neuen Funksenders drücken, dann loslassen.	5s
2.	3-Mal langsam auf die Taste des bereits gespeicherten Funksenders drücken.	1s  1s  1s
3.	1-Mal langsam auf die Taste des neuen Funksenders drücken.	1s

Nun wird der neue Funksender vom Empfänger erkannt und die Merkmale des bereits gespeicherten annehmen.  
Zur Speicherung weiterer Sender, alle Schritte für jeden neuen Sender wiederholen.

#### 4.6.5) Löschen der Funksender

Tabelle Nr. 14: Löschen aller Sender	Beispiel
1. Auf die kleine Taste am Empfänger drücken und gedrückt halten	
2. Warten, bis die LED aufleuchtet, dann warten bis sie erlischt und danach warten, dass sie 3-Mal blinkt	
3. Die Taste genau während des 3. Blinkens loslassen	
4. Falls das Löschen erfolgreich war, wird die LED kurz danach 5-Mal blinken.	

#### 4.6.6) Konformitätserklärung für Empfänger und Funksender

##### Konformitätserklärung

N°: 151/SMXI Rev03  
Nice S.p.a., Via Pezza Alta 13, 31046 Rustignè di Oderzo (TV) Italia  
NICE S.p.a. erklärt, dass die Funkempfänger Modelle SMXI, SMXIS und die jeweiligen Sender FLO2R-S und SM2 mit den wichtigsten Anforderungen der Richtlinie R&TTE 1999/5/CE konform sind, was den Einsatzzweck dieser Geräte betrifft.  
Hergestellt in Klasse 1, Unterklasse 20.

Datum: 19. März 2004

  
(Geschäftsführer)  
Lauro Buoro

### 5) Abnahme und Inbetriebsetzung

Um höchste Sicherheit zu gewährleisten, ist diese Phasen die wichtigste bei der Durchführung der Automatisierung.  
Die Abnahme kann auch als periodische Überprüfung der Vorrichtungen dienen, aus denen der Automatismus besteht.

**⚠ Die Abnahme der ganzen Anlage muss von erfahrener Fachpersonal ausgeführt werden, das zu bestimmen hat, welche Tests je nach vorhandenen Risiken auszuführen sind, und das die Übereinstimmung mit Gesetzen, Vorschriften und Verordnungen und insbesondere allen Anforderungen der Norm EN 12445 zu überprüfen hat, in der die Testmethoden zur Überprüfung der Automatismen für Tore angegeben sind.**

#### 5.1) Abnahme

Für jedes einzelne Element des Automatismus, wie zum Beispiel Schaltleisten, Photozellen, Notstop usw. ist eine spezifische Abnahme erforderlich; für diese Vorrichtungen sind die in den jeweiligen Anweisungen verzeichneten Verfahren auszuführen.  
Zur Abnahme von SPIN folgende Prüfsequenz ausführen:

1. Prüfen, ob alles in Kapitel 1 "HINWEISE" angegebene genauestens eingehalten ist;
2. Das Entriegelungsseil nach unten ziehen, um das Tor zu entriegeln. Überprüfen, ob man das Tor in Öffnung und Schließung mit einer Kraft, die nicht stärker als 225N ist, von Hand bewegen kann.
3. Den Wagen noch wieder einspannen.
4. Den Schlüsseltaster, den Funksender oder das Steuerseil verwenden und damit die Schließung und Öffnung des Tors testen und prüfen, ob die Bewegung wie vorgesehen ist.
5. Besser mehrere Tests ausführen, um die Gleitfähigkeit des Tors und eventuelle Montage- oder Einstellfehler sowie das Vorhandensein von Stellen mit besonders starker Reibung zu überprüfen.
6. Den korrekten Betrieb aller Sicherheitsvorrichtungen einzeln überprüfen, falls in der Anlage vorhanden (Photozellen, Schaltleisten usw.). Insbesondere muss bei jeder Auslösung einer Vorrichtung die LED "BLUEBus" an der Steuerung 2-Mal schnell blinken und somit bestätigen, dass die Steuerung das Ereignis erkannt hat.
7. Zur Überprüfung der Photozellen und insbesondere um zu prüfen, dass keine Interferenzen mit anderen Vorrichtungen vorhanden sind, einen Zylinder mit 5 cm Durchmesser und 30 cm Länge auf der optischen Achse zuerst nah an TX, dann nah an RX und abschließend in ihrer Mitte durchführen und prüfen, dass die Vorrichtung in allen Fällen ausgelöst wird und vom aktiven Zustand auf den Alarmzustand übergeht und umgekehrt; dann prüfen, dass in der Steuerung die vorgesehene Handlung verursacht

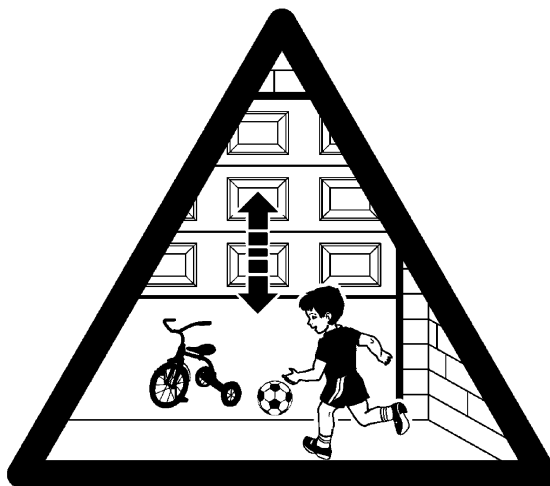
wird, während der Schließung also zum Beispiel eine Umkehrung der Bewegung.

8. Falls die durch die Torbewegung verursachten Gefahren mittels Begrenzung der Aufprallkraft abgesichert worden sind, muss die Kraft nach den Verordnungen der Vorschrift EN 12445 gemessen werden. Falls die „Geschwindigkeitsregelung“ und die Kontrolle der „Motorkraft“ als Hilfsmittel für das System zur Aufprallkraftreduzierung benutzt wird, die Einstellung erproben und finden, mit der die besten Ergebnisse erzielt werden.

## 5.2) Inbetriebsetzung

Die Inbetriebsetzung darf erst erfolgen, nachdem alle Abnahmen erfolgreich beendet sind. Eine teilweise oder vorübergehende Inbetriebsetzung ist unzulässig.

1. Die technischen Unterlagen der Automatisierung zusammenstellen und diese mindestens 10 Jahre lang aufbewahren. Sie müssen mindestens umfassen: Gesamtzeichnung der Automatisierung, Schaltplan mit den elektrischen Anschlüssen, Risikoanalyse und jeweilige angewendete Lösungen, Konformitätserklärung des Herstellers für alle benutzten Vorrichtungen (für SPIN die anliegende "CE-Konformitätserklärung" verwenden, Kopie der Bedienungsanweisungen und des Wartungsplans der Automatisierung.
2. Auf bleibende Art am Tor einen Aufkleber oder ein Schild anbringen, auf dem das Entriegelungsverfahren und die Bewegung von Hand geschildert sind (die Figuren in „Anweisungen und Hinweise für den Benutzer des Toröffners SPIN benutzen).
3. Auf bleibende Art am Tor einen Aufkleber oder ein Schild mit dieser Abbildung anbringen (Mindesthöhe 60mm).
4. Am Tor ein Schild mit mindestens folgenden Daten anbringen: Automatisierungstyp, Name und Adresse des Herstellers (Verantwortlicher der "Inbetriebsetzung"), Seriennummer, Baujahr und CE-Markierung.
5. Die Konformitätserklärung der Automatisierung anfertigen und dem Inhaber aushändigen.
6. Das Handbuch „Anweisungen und Hinweise für die Bedienung der Automatisierung“ anfertigen und dem Inhaber der Automatisierung übergeben.
7. Den Wartungsplan anfertigen und dem Inhaber der Automatisierung aushändigen. Er enthält die Wartungsvorschriften der einzelnen Vorrichtungen.
8. Vor der Inbetriebsetzung des Automatismus, den Inhaber auf geeignete Weise und schriftlich (z.B. in den „Anweisungen und Hinweise für die Bedienung der Automatisierung“) über die restlichen Gefahren und Risiken informieren.



42

## 6) Wartung und Entsorgung

Dieses Kapitel enthält die Informationen zur Anfertigung des Wartungsplans und für die Entsorgung von SPIN.

### 6.1) Wartung

Um das Sicherheitsniveau konstant zu halten und die längste Lebensdauer der ganzen Automatisierung zu gewährleisten, ist eine regelmäßige Wartung erforderlich.

**⚠ Die Wartung muss unter genauester Einhaltung der im vorliegenden Handbuch verzeichneten Sicherheitsbestimmungen und der Verordnungen der gültigen Gesetze und Vorschriften ausgeführt werden.**

Sollten Vorrichtungen vorhanden sein, die anders als SPIN sind, das in ihrem Wartungsplan vorgesehene ausführen.

1. Für SPIN ist max. innerhalb von 6 Monaten oder 3000 Bewegungen nach der vorherigen Wartung eine programmierte Wartung erforderlich:
2. Alle elektrischen Versorgungsquellen, inklusive eventuelle Pufferbatterien abtrennen.
3. Die Verschlechterung aller Materialien der Automatisierung überprüfen, mit besonderer Achtung auf Erosions- oder Roststellen an strukturellen Teilen; Teile, die nicht genügend Garantie geben, müssen ersetzt werden.
4. Den Verschleiß der Bewegungselemente überprüfen, wie Riemenscheiben, Wagen, Ritzel und alle Teile des Tors; abgenutzte Teile müssen ersetzt werden.
5. Die elektrischen Versorgungsquellen wieder anschließen und alle in Punkt "5.1 Abnahme" vorgesehenen Tests und Überprüfungen ausführen.

### 6.2) Entsorgung

SPIN besteht aus verschiedenen Stoffen, von denen einige recycled werden können (Stahl, Aluminium, Plastik, Elektrokabel), andere müssen dagegen entsorgt werden (Batterien und elektronische Karten).

**⚠ Einige elektronische Teile und die Batterien könnten umweltschädliche Stoffe enthalten; nicht in die Umwelt geben. Informieren Sie sich, wie recycled oder entsorgt werden kann und halten Sie sich an die örtlich gültigen Vorschriften.**

1. Die Stromversorgung vom Automatismus und die eventuelle Pufferbatterien abtrennen.
2. Alle Vorrichtungen und Zubehörteile demontieren. Hierzu das in Kapitel „3 Installation“ beschriebene Verfahren umgekehrt ausführen.
3. Soweit möglich, Teile trennen, die verschiedenartig recycled oder entsorgt werden können, zum Beispiel Metall von Plastik, elektronische Karten, Batterien, usw.
4. Sortieren und die so getrennten verschiedenen Materialien autorisierten, örtlichen Recycling- und Entsorgungszentren übergeben.

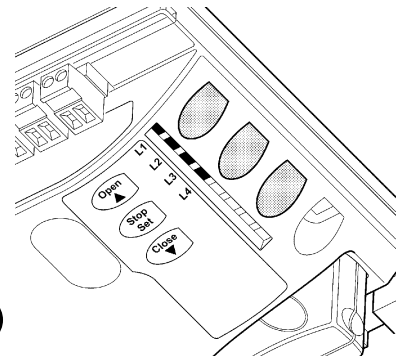
## 7) Weitere Auskünfte

In diesem Kapitel werden die Möglichkeiten für die Programmierung, eine persönliche Gestaltung, die Diagnose und die Fehlersuche an SPIN behandelt.

### 7.1) Programmierungstasten

An der Steuerung von SPIN sind 3 Tasten vorhanden, die sowohl zur Schaltung der Steuerung bei den Tests als auch zu Programmierungen benutzt werden können:

<b>Open</b> s	Mit Taste "OPEN" kann der Öffnungsbefehl erteilt; oder der Programmierungspunkt nach oben verschoben werden.
<b>Stop</b> Set	Mit Taste "STOP" kann die Bewegung angehalten werden; falls länger als 5 Sekunden gedrückt, dient sie für den Zugriff auf die Programmierung.
<b>Close</b> t	Mit Taste "CLOSE" kann der Schließbefehl erteilt; oder der Programmierungspunkt nach unten verschoben werden.



43

### 7.2) Programmierungen

Die Steuerung von SPIN verfügt über einige programmierbare Funktionen; die Einstellung dieser Funktionen erfolgt mit 3 Tasten an der Steuerung: [s] [Set] [t] die Funktionen werden über 4 LEDs angezeigt: **L1....L4**.

Die an SPIN zur Verfügung stehenden programmierbaren Funktionen befinden sich auf 2 Niveaus:

**Erstes Niveau:** ON-OFF-Funktionen (aktiv oder nicht aktiv); in diesem Fall zeigt jede LED **L1....L4** eine Funktion an; wenn die LED leuchtet, ist die Funktion aktiviert, wenn die LED nicht leuchtet, ist die Funktion deaktiviert – siehe Tabelle Nr. 15.

**Zweites Niveau:** auf einer Werteskala von 1 bis 4 einstellbare Parameter; in diesem Fall zeigt jede LED **L1....L4** den unter den 4 möglichen eingestellten Wert an - siehe Tabelle Nr. 17.

#### 7.2.1) Funktionen des ersten Niveaus (ON-OFF-Funktionen)

**Tabelle Nr. 15: Liste der programmierbaren Funktionen: erstes Niveau**


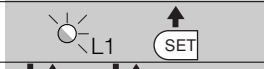



LED	Funktion	Beschreibung
<b>L1</b>	Automatische Schließung	Diese Funktion ermöglicht die automatische Torschließung nach der programmierten Pausezeit; werkseitig ist die Pausezeit auf 20 Sekunden eingestellt, kann aber auf 10, 20, 40 und 80 Sekunden geändert werden (siehe Tabelle Nr. 17). Falls die Funktion nicht aktiviert ist, ist die Funktionsweise "halbautomatisch".
<b>L2</b>	Zulauf nach Foto	Mit dieser Funktion kann das Tor mit der Pausezeit von 5s nach der Ausblendung der Photozellen (Foto und Foto II) wieder geschlossen werden, auch wenn die Pausezeit auf höhere Werte eingestellt ist; das Verhalten ändert sich je nachdem, ob die "Automatische Schließung" aktiviert ist oder nicht. <b>Mit aktivierter „automatischer Schließung“</b> wird die Öffnungsbewegung gleich nach dem Ausblenden der Photozellen gestoppt und nach 5s beginnt die Schließbewegung. <b>Mit nicht aktivierter „automatischer Schließung“</b> wird die Öffnungsbewegung nicht unterbrechen, das Ausblenden der Photozelle verursacht jedoch die Aktivierung der „Automatischen Schließung“ mit 5s "Pausezeit". Falls die Funktion „Zulauf nach Foto“ nicht aktiviert ist, wird kein automatisches Schließen erfolgen.
<b>L3</b>	Motorkraft	Mit dieser Funktion kann die Empfindlichkeit der Motorkraftkontrolle gewählt und dem Tor angepasst werden. Ist diese Funktion aktiviert, so ist die Empfindlichkeit mehr für kleinere und leichtere Tore geeignet. Wenn sie nicht aktiviert ist, eignet sich die Empfindlichkeit mehr für größere und schwere Tore.
<b>L4</b>	Stand-By	Diese Funktion ermöglicht es, den Energieverbrauch auf das Geringste zu reduzieren und ist insbesondere nützlich, wenn die Automatisierung mit der Pufferbatterie funktioniert. Ist die Funktion aktiviert, so schaltet die Steuerung 1 Minute nach Beendigung der Bewegung den Ausgang BlueBUS (und daher die Vorrichtungen) und alle LEDs ab, mit Ausnahme der LED BlueBUS, die langsamer blinken wird. Wenn ein Steuerbefehl ankommt, stellt die Steuerung wieder auf Vollbetrieb um. Wenn die Funktion nicht aktiviert ist, erfolgt keine Reduzierung des Verbrauchs.

Während des Normalbetriebs von SPIN sind die LEDs **L1....L4** je nach dem Status der Funktion, die sie darstellen, ein- oder ausgeschaltet, zum Beispiel ist **L1** eingeschaltet, wenn die Funktion "Automatische Schließung" aktiviert ist.

D

### 7.2.2 Erstes Niveau – Programmierungen (ON-OFF-Funktionen)

Werkseitig sind alle Funktionen des ersten Niveaus auf "OFF", was man aber jederzeit ändern kann, wie in Tabelle Nr. 16 angegeben. Bei der Durchführung des Verfahrens vorsichtig sein, da die Zeitgrenze 10s zwischen dem Druck auf eine Taste und die andere beträgt. Nach Ablauf dieser Zeit wird das Verfahren automatisch beendet, mit Speicherung der bisher ausgeführten Änderungen.

Tabelle Nr. 16: Änderung der ON-OFF-Funktionen		Beispiel
1.	Auf Taste <b>[Set]</b> drücken und ca. 3 Sekunden gedrückt halten	
2.	Taste <b>[Set]</b> loslassen, wenn LED L1 zu blinken beginnt	
3.	Auf die Tasten <b>[s]</b> oder <b>[t]</b> drücken, um das Blinken auf die LED zu verschieben, welche die zu ändernde Funktion darstellt	
4.	Auf Taste <b>[Set]</b> drücken, um den Status der Funktion zu ändern (kurzes Blinken = OFF; langes Blinken = ON)	
5.	10s warten, um die Programmierung aufgrund des Ablaufs der Zeitgrenze zu beenden.	

Anmerkung: die Punkte 3 und 4 können während derselben Programmierungsphase wiederholt werden, um andere Funktionen auf ON oder OFF zu stellen.

### 7.2.3 Funktionen des zweiten Niveaus (einstellbare Parameter)

Tabelle Nr. 17: Liste der programmierbaren Funktionen: zweites Niveau				
Eingangs-LED	Parameter	LED (Niveau)	Wert	Beschreibung
L1	Pausezei	L1	10 Sekunden	Stellt die Pausezeit ein bzw. die Zeit vor dem automatischen Zulauf. Wirkt nur, falls die automatische Schließung aktiviert ist.
		L2	20 Sekunden	
		L3	40 Sekunden	
		L4	80 Sekunden	
L2	Funktion Schrittbetrieb	L1	Öffnet - Stop – Schließt - Stop	Stellt die Sequenz der Steuerbefehle ein, die dem Eingang Schrittbetrieb oder dem 1. Funkbefehl zugeteilt sind (siehe die Tabellen 7 und 8).
		L2	Öffnet - Stop – Schließt - Öffnet	
		L3	Wohnblockbetrieb	
		L4	Todmannfunktion	
L3	Motorgeschwindigkeit	L1	Sehr langsam	Stellt die Motorgeschwindigkeit beim normalen Lauf ein.
		L2	Langsam	
		L3	Mittel	
		L4	Schnell	
L4	Ausgang FLASH	L1	Kontrolllampe Tor Geöffnet	Zur Auswahl der an Ausgang FLASH angeschlossenen Vorrichtung
		L2	Blinkleuchte	
		L3	Elektrosperre	
		L4	Saugscheibe	


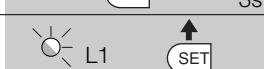





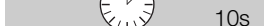
Anmerkung: "■" ist die werkseitige Einstellung

Alle Parameter können beliebig ohne Nebenwirkungen eingestellt werden, nur für die Auswahl der Vorrichtung, die an Ausgang "FLASH" angeschlossen wird, ist besondere Vorsicht notwendig:

**⚠ Vor dem Anschluss der Vorrichtung am Ausgang "FLASH" ist sicher zu stellen, dass die Funktion korrekt programmiert ist, andernfalls könnte die Vorrichtung beschädigt werden.**

### 7.2.4 Programmierung zweiten Niveaus (einstellbare Parameter)











Werkseitig sind diese Parameter wie in Tabelle Nr. 17 eingestellt, "■" sie können aber wie in Tabelle Nr. 18 angegeben jederzeit geändert werden. Bei der Durchführung des Verfahrens vorsichtig sein, da die Zeitgrenze 10s zwischen dem Druck auf eine Taste und die andere beträgt. Andernfalls wird das Verfahren automatisch beendet, mit Speicherung der bisher ausgeführten Änderungen.

Tabelle Nr. 18: Änderung der einstellbaren Parameter		Beispiel
1.	Auf Taste <b>[Set]</b> drücken und ca. 3 Sekunden gedrückt halten	
2.	Taste <b>[Set]</b> loslassen, wenn LED L1 zu blinken beginnt	
3.	Auf die Tasten <b>[s]</b> oder <b>[t]</b> drücken, um das Blinken auf die "Eingangs-LED" zu verschieben, die den zu ändernden Parameter darstellt	
4.	Auf Taste <b>[Set]</b> , ] drücken und gedrückt halten; die Taste <b>[Set]</b> muss während der Schritte 5 und 6 ständig gedrückt bleiben	
5.	Ca. 3s warten, danach wird die LED aufleuchten, die das aktuelle Niveau des zu ändernden Parameters darstellt	
6.	Auf die Tasten <b>[s]</b> oder <b>[t]</b> drücken, um die LED zu verschieben, die den Wert des Parameters darstellt	
7.	Die Taste <b>[Set]</b> loslassen	
8.	10s warten, um die Programmierung aufgrund des Ablaufs der Zeitgrenze zu beenden.	

Anmerkung: die Punkte von 3 bis 7 können während derselben Programmierungsphase wiederholt werden, um andere Parameter einzustellen

### 7.2.5 Erstes Niveau - Programmierungsbeispiel (ON-OFF-Funktionen)








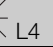



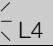






Als Beispiel wird die Sequenz der Vorgänge angegeben, die auszuführen sind, um die werkseitige Einstellung zur Aktivierung der Funktionen "Automatische Schließung" (L1) und "Motorkraft" (L3) zu ändern.

Tabelle Nr. 19: Erstes Niveau - Programmierungsbeispiel	Beispiel
1. Auf Taste <b>[Set]</b> drücken und ca. 3 Sekunden gedrückt halten	 3s
2. Taste <b>[Set]</b> loslassen, wenn LED L1 zu blinken beginnt	 L1 
3. Einmal auf Taste <b>[Set]</b> drücken, um den Status der L1 zugeteilten Funktion (Automatische Schließung) zu ändern. Die LED L1 blinkt nun lang	  L1
4. Zweimal auf Taste <b>[t]</b> drücken, damit das Blinken auf LED L3 übergeht	   L3
5. Einmal auf Taste <b>[Set]</b> drücken, um den Status der L3 zugeteilten Funktion (Motorkraft) zu ändern. Die LED L3 blinkt nun lang.	
6. 10s warten, um die Programmierung aufgrund des Ablaufs der Zeitgrenze zu beenden.	 10s

Am Ende dieser Vorgänge müssen die LEDs L1 und L3 eingeschaltet bleiben, was bedeutet, dass die Funktionen "Automatische Schließung" und "Motorkraft" aktiviert sind.

### 7.2.6 Zweites Niveau - Programmierungsbeispiel (einstellbare Parameter)

Als Beispiel wird die Sequenz der Vorgänge angegeben, die auszuführen sind, um die werkseitige Einstellung der Parameter zu ändern und die "Pausezeit" auf 80s (Eingang an L1 und Niveau auf L4) zu erhöhen und um für den Ausgang FLASH die Kontrolllampe Tor Geöffnet (Eingang an L4 und Niveau auf L1) zu wählen.

Tabelle Nr. 20: Zweites Niveau - Programmierungsbeispiel	Beispiel
1. Auf Taste <b>[Set]</b> drücken und ca. 3 Sekunden gedrückt halten	 3s
2. Taste <b>[Set]</b> loslassen, wenn LED L1 zu blinken beginnt	 L1 
3. Auf Taste <b>[Set]; ]</b> drücken und gedrückt halten; die Taste <b>[Set]</b> muss während der Schritte 4 und 5 ständig gedrückt bleiben	
4. Ca. 3s warten, danach wird die LED L3 aufleuchten, die das aktuelle Niveau der "Pausezeit" darstellt	 L2 3s
5. Zweimal auf Taste <b>[t]</b> drücken, damit das Blinken auf LED L4 übergeht, die den neuen Wert der "Pausezeit" darstellt	   L4
6. Taste <b>[Set]</b> loslassen	
7. Dreimal auf Taste <b>[t]</b> drücken, damit das Blinken auf LED L4 übergeht	   L4
8. Auf Taste <b>[Set]; ]</b> drücken und gedrückt halten; die Taste <b>[Set]</b> muss während der Schritte 9 und 10 ständig gedrückt bleiben	
9. Ca. 3s warten, danach wird die LED L2 aufleuchten; sie stellt die Vorrichtung dar, die derzeit dem Ausgang FLASH zugeordnet ist (die Blinkleuchte).	 L2 3s
10. Einmal auf Taste <b>[s]</b> drücken, damit das Blinken auf LED L1 übergeht, welche die neue, dem Ausgang FLASH zugeordnete Vorrichtung darstellt, die Kontrolllampe Tor Geöffnet.	  L1
11. Taste <b>[Set]</b> loslassen	
12. 10s warten, um die Programmierung aufgrund des Ablaufs der Zeitgrenze zu beenden.	 10s

### 7.3) Hinzufügen oder Entfernen von Vorrichtungen

Einer Automatisierung mit SPIN können jederzeit Vorrichtungen hinzugefügt bzw. aus dieser entfernt werden. Insbesondere können am "BLUEBUS" sowie am Eingang "STOP" verschiedenartige Vorrich-

tungen angeschlossen werden, wie in den Paragraphen "7.3.1 BlueBUS" und "7.3.2 Eingang STOP" angegeben.

#### 7.3.1) BlueBUS

BlueBUS ist eine Technik, mit der die Verbindungen der kompatiblen Vorrichtungen mit nur zwei Leitern ausgeführt werden können, die sowohl Stromversorgung als auch Kommunikationssignale übertragen. Alle Vorrichtungen werden an diesen 2 Leitern des BlueBUS parallelgeschaltet, ohne dass eine Polung beachtet werden muss; jede Vorrichtung wird einzeln erkannt, da ihr während der Installation eine eindeutige Adresse zugeteilt wird. An BlueBUS können zum Beispiel Photozellen, Sicherheitsvorrichtungen, Schaltasten, Kontrolllampen usw. angeschlossen werden. Die Steuerung von SPIN

erkennt über eine entsprechende Erlernungsphase alle angeschlossenen Vorrichtungen nacheinander und ist imstande, alle möglichen Störungen mit größter Sicherheit wahrzunehmen. Aus diesem Grund muss an der Steuerung jedes Mal, wenn eine mit BlueBUS verbundene Vorrichtung hinzugefügt oder entfernt wird, die Erlernung durchgeführt werden, wie in Paragraph "7.2.4 Erlernung sonstiger Vorrichtungen" beschrieben.



### 7.3.2) Eingang STOP

STOP ist der Eingang, der das unverzügliche Anhalten der Bewegung verursacht, gefolgt von einer kurzen Umkehrung. An diesen Eingang können Vorrichtungen mit Ausgang mit gewöhnlich geöffnetem "NO"-Kontakt, mit gewöhnlich geschlossenem "NC"-Kontakt oder Vorrichtungen mit Ausgang mit konstantem 8,2kΩ Widerstand, wie zum Beispiel Schalteleisten, angeschlossen werden.

Wie für BlueBUS erlernt die Steuerung auch die am Eingang STOP angeschlossene Vorrichtung während der Erlernung – siehe Paragraph "7.2.4 Erlernung sonstiger Vorrichtungen"; danach wird ein STOP verursacht, wenn eine beliebige Variation des erlernten Status erfolgt.

Mit entsprechenden Maßnahmen kann am Eingang STOP mehr als eine Vorrichtung auch anderen Typs angeschlossen werden:

- Mehrere NO-Vorrichtungen können miteinander in unbegrenzter Menge parallelgeschaltet werden.
- Mehrere NC-Vorrichtungen können miteinander in unbegrenzter Menge seriengeschaltet werden.

- 2 Vorrichtungen mit Ausgang mit konstantem 8,2kΩ Widerstand können parallelgeschaltet werden,; im Falle von mehr als 2 Vorrichtungen müssen alle mit nur einem 8,2kΩ Endwiderstand "kaskadengeschaltet" werden.

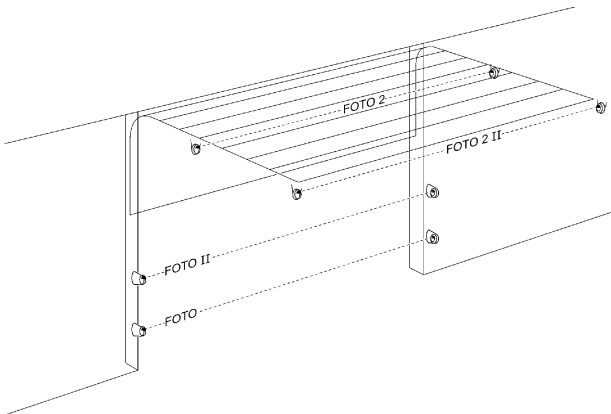
- Die Kombination NO und NC ist möglich, wenn die 2 Kontakte parallelgeschaltet werden, wobei ein 8,2kΩ Widerstand mit dem NC-Kontakt seriengeschaltet werden muss (daher ist auch die Kombination von 3 Vorrichtungen NO, NC und 8,2kΩ möglich).

**⚠ Falls der Eingang STOP für den Anschluss von Vorrichtungen mit Sicherheitsfunktionen benutzt wird, garantieren nur die Vorrichtungen mit Ausgang mit konstantem 8,2kΩ Widerstand die Sicherheitsklasse 3 gegen Defekte gemäß der Vorschrift EN 954-1.**

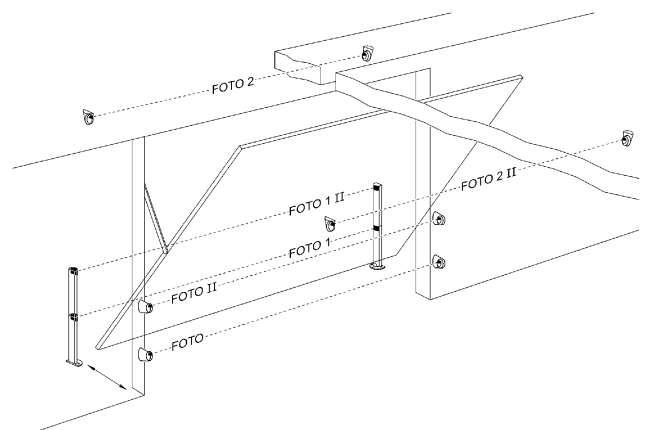
### 7.3.3) Photozellen

Das "BlueBUS" System ermöglicht es durch die Adressierung mit dazu vorgesehenen Überbrückungen, dass die Steuerung Photozellen erkennt und die korrekte Detektionsfunktion zugeteilt werden kann. Die Adressierung muss sowohl an TX als auch an RX ausgeführt werden (die Überbrückungen gleich stellen), wobei zu prüfen ist, dass keine weiteren Photozellenpaare mit derselben Adressierung vorhanden sind. An einem Automatismus für Sektionaltore oder nicht vorspringende Schwingtore können die Photozellen nach Abbildung 44 installiert werden. Für einem Automatismus mit vorspringenden Schwingtoren wird auf Abbildung 45 verwiesen. Foto 2

und Foto 2II werden an besonderen Anlagen benutzt, die einen kompletten Schutz des Automatismus (auch in Öffnung) erfordern. Nach Installation bzw. Entfernung von Photozellen muss an der Steuerung die Erlernphase ausgeführt werden, wie in Paragraph "7.3.4 Erlernung sonstiger Vorrichtungen" beschrieben.



44



45

**Tabelle Nr. 21: Adressierungen der Photozellen**

Photozelle	Überbrückungen	Photozelle	Überbrückungen
<b>FOTO</b> Photozelle H = 50 mit Auslösung in Schließung		<b>FOTO 2</b> Photozelle mit Auslösung in Öffnung	
<b>FOTO II</b> Photozelle H = 100 mit Auslösung in Schließung		<b>FOTO 2 II</b> Photozelle mit Auslösung in Öffnung	
<b>FOTO 1</b> Photozelle H = 50 mit Auslösung sowohl in Schließung als auch in Öffnung		<b>FOTO 3</b> <b>UNZULÄSSIGE KONFIGURATION</b>	
<b>FOTO 1 II</b> Photozelle H = 100 mit Auslösung sowoh in Schließung als auch in Öffnung			

**⚠ An SN6021 hat der Ausgang BlueBUS eine Höchstlast von 2 Einheiten.**

**An SN6031 und SN6041 beträgt die Höchstlast 6 Einheiten; ein Photozellenpaar nimmt dieselbe Leistung wie 1 BlueBUS Einheit auf.**



### 7.3.4) Erlernung sonstiger Vorrichtungen

Gewöhnlich wird der Erlernungsvorgang der an BlueBUS und an Eingang STOP angeschlossenen Vorrichtungen während der Installation ausgeführt, wenn jedoch Vorrichtungen hinzugefügt bzw. entfernt werden, kann die Erlernung wie folgt wiederholt werden:

Tabelle Nr. 22: Erlernung sonstiger Vorrichtungen		Beispiel
1.	Auf die Tasten [s] und [Set] drücken und gedrückt halten	
2.	Die Tasten loslassen, wenn die LEDs L1 und L2 sehr schnell zu blinken beginnen (nach ca. 3s)	
3.	Ein paar Sekunden warten, damit die Steuerung die Erlernung der Vorrichtungen beendet.	
4.	Am Ende der Erlernung dürfen die LEDs L1 und L2 nicht mehr blinken, die LED STOP muss eingeschaltet bleiben, wogegen die LEDs L1...L4 je nach dem Status ihrer ON-OFF-Funktionen aufleuchten werden.	

**⚠ Nachdem Vorrichtungen hinzugefügt bzw. entfernt worden sind, muss die Abnahme der Automatisierung gemäß "5.1 Abnahme" erneut ausgeführt werden.**

## 7.4) Sonderfunktionen

### 7.4.1) Funktion "Öffnet Immer"

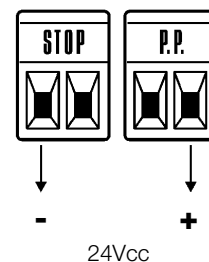
Die Funktion "Öffnet Immer" ist eine Besonderheit der Steuerung, mit der immer eine Öffnungsbewegung erfolgt, wenn der Befehl "Schrittbetrieb" länger als 3 Sekunden gegeben wird; das ist zum Beispiel nützlich, um an Klemme Schrittbetrieb den Kontakt einer Zeituhr anzuschließen, damit das Tor in einer bestimmten Zeitspanne geöffnet bleibt. Diese Eigenschaft ist unabhängig von der Programmierung des Eingangs Schrittbetrieb – siehe Parameter "Funktion Schrittbetrieb" in Tabelle Nr. 17.

### 7.4.2) Funktion "Todmann"

Wenn eine Sicherheitsvorrichtung nicht korrekt funktionieren oder außer Betrieb sein sollte, kann das Tor in der Modalität "Todmann" bewegt werden. Für Einzelheiten wird auf den Paragraph "Torbewegung mit Sicherheitsvorrichtungen außer Betrieb" in der Anlage "Anweisungen und Hinweise für den Benutzer des Toröffners SPIN" verwiesen.

## 7.5 Verbindung sonstiger Vorrichtungen

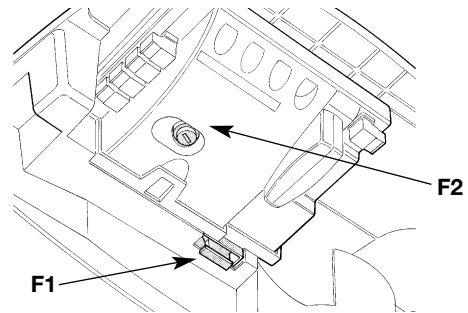
Sollte es notwendig sein, externe Vorrichtungen wie zum Beispiel einen Proximity-Leser für Transponder-Cards oder die Beleuchtung des Schlüsseltasters anzuschließen, kann die Versorgung wie in Abbildung 46 gezeigt entnommen werden. Die Versorgungsspannung ist 24Vcc -30% ÷ +50% mit zur Verfügung stehendem Höchststrom von 100mA.



46

## 7.6) Probleme und deren Lösungen

In der folgenden Tabelle sind nützliche Hinweise zu finden, um eventuellen Betriebsstörungen entgegen zu treten, die bei der Installation oder im Falle von Defekten auftreten können.



47

**Tabelle Nr. 23: Fehlersuche**

SYMPTOME	MÖGLICHE URSACHE UND MÖGLICHE ABHILFE
Der Funksender schaltet das Tor nicht und die LED am Sender leuchtet nicht auf.	Prüfen, ob die Batterien des Senders leer sind, ggf. auswechseln.
Der Funksender schaltet das Tor nicht, aber die LED am Sender leuchtet auf.	Prüfen, ob der Sender korrekt im Funkempfänger gespeichert ist
Es erfolgt keine Bewegung und die LED "BLUEBUS" blinkt nicht.	Prüfen, ob SPIN mit der 230V Netzspannung gespeist ist. Prüfen, ob die Sicherungen F1 und F2 unterbrochen sind; in diesem Fall die Ursache des Defekts überprüfen, dann die Sicherungen mit anderen mit demselben Stromwert und denselben Merkmalen auswechseln.
Es erfolgt keine Bewegung und die Blinkleuchte blinkt nicht.	Prüfen, ob der Befehl effektiv empfangen wird. Falls der Befehl am Eingang Schrittbetrieb angelangt, muss die jeweilige LED "PP" aufleuchten, falls dagegen der Funksender benutzt wird, muss die LED "BLUEBUS" 2-Mal schnell blinken.
Es erfolgt keine Bewegung und die zusätzliche Beleuchtung blinkt mehrmals.	Zählen, wie oft die Beleuchtung blinkt und nach den Angaben in Tabelle Nr. 24 überprüfen.
Die Bewegung beginnt, aber gleich danach erfolgt die Umkehrung	Die gewählte Kraft könnte für den Tortyp zu gering sein. Prüfen, ob Hindernisse vorhanden sind und ggf. eine stärkere Kraft wählen.
Die Bewegung wird ordnungsgemäß ausgeführt, aber die an Ausgang FLASH angeschlossene Vorrichtung funktioniert nicht	Prüfen, ob die an Ausgang FLASH angeschlossene Vorrichtung die effektiv programmierte ist. Prüfen, ob Spannung an der Klemme der Vorrichtung anliegt, wenn die Vorrichtung gespeist sein müsste; falls Spannung anliegt, ist das Problem durch die Vorrichtung verursacht, die mit einer mit denselben Merkmalen ausgewechselt werden muss. Falls keine Spannung anliegt, könnte eine Überlast am Ausgang vorhanden sein – das Kabel auf Kurzschluss überprüfen.

## 7.7) Diagnose und Anzeigen

Einige Vorrichtungen bieten selbst besondere Anzeigen, mit denen der Betriebsstatus oder eventuelle Störungen erkannt werden können.

### 7.7.1) Anzeigen durch die Blinkleuchte und die zusätzliche Beleuchtung

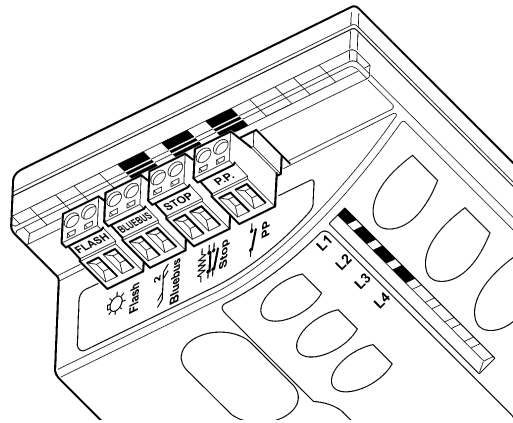
Falls der Ausgang FLASH programmiert ist und eine Blinkleuchte angeschlossen wird, blinkt diese während der Bewegung einmal pro Sekunde; im Falle von Störungen wird das Blinken schneller sein; die Blinkvorgänge wiederholen sich zweimal mit einer Pause von einer Sekunde. Dieselben Diagnosemeldungen erfolgen durch die zusätzliche Beleuchtung.

**Tabelle Nr. 24: Anzeigen durch die Blinkleuchte FLASH**

Schnellblinken	Ursache	HANDLUNG
1-Mal Blinken 1 Sekunde Pause 1-Mal Blinken	Fehler an BlueBUS	Die Überprüfung der am BLUEBUS angeschlossenen Vorrichtungen bei Bewegungsbeginn entspricht nicht dem während der Erlernung Gespeicherten. Es können defekte Vorrichtungen vorhanden sein: überprüfen und auswechseln; falls Änderungen ausgeführt worden sind, muss die Erlernung wiederholt werden (7.3.4 Erlernung sonstiger Vorrichtungen).
2-Mal Blinken 1 Sekunde Pause 2-Mal Blinken	Auslösung einer Photozelle	Bei Bewegungsbeginn wird die Zustimmung zur Bewegung von einer oder mehreren Photozellen nicht gegeben; prüfen, ob Hindernisse vorhanden sind. Während der Bewegung ist das normal, wenn effektiv ein Hindernis vorhanden ist.
3-Mal Blinken 1 Sekunde Pause 3-Mal Blinken	Auslösung des "Motorkraft"-Begrenzers	Während der Bewegung war mehr Reibung am Tor vorhanden; Ursache überprüfen.
4-Mal Blinken 1 Sekunde Pause 4-Mal Blinken	Auslösung des Eingangs STOP	Am Anfang oder während der Bewegung erfolgte eine Auslösung des Eingangs STOP; Ursache überprüfen
5-Mal Blinken 1 Sekunde Pause 5-Mal Blinken	Fehler in den internen Parametern der elektronischen Steuerung.	Mindestens 30 Sekunden warten und den Befehl erneut erteilen; sollte dieser Status bleiben, könnte ein schwerer Defekt vorhanden sein, und die elektronische Steuerkarte muss ausgewechselt werden
6-Mal Blinken 1 Sekunde Pause 6-Mal Blinken	Die Höchstgrenze an Bewegungen pro Stunde wurde überschritten	Ein paar Minuten warten, bis der Bewegungsbegrenzer wieder unter die Höchstgrenze zurückkehrt
7-Mal Blinken 1 Sekunde Pause 7-Mal Blinken	Fehler in den internen elektrischen Kreisläufen	Alle Versorgungskreisläufe ein paar Sekunden lang abtrennen, dann einen Befehl erteilen; sollte dieser Status bleiben, könnte ein schwerer Defekt an der Steuerkarte oder der Motorverdrahtung vorhanden sein: Überprüfen und ggf. auswechseln.

### 7.7.2) Anzeigen durch die Steuerung

An der Steuerung von SPIN befinden sich verschiedene LEDs, von denen jede sowohl im Normalbetrieb als auch bei Störungen besondere Anzeigen geben kann.



48

**Tabelle Nr. 25: LEDs an den Klemmen der Steuerung**

LED BLUEBUS	Ursache	HANDLUNG
Aus	Störung	Prüfen, ob die Stromversorgung vorhanden ist; prüfen, ob die Sicherungen ausgelöst wurden; ggf. die Ursache des Defekts überprüfen, dann die Sicherungen mit anderen mit denselben Merkmalen austauschen
Ein	Schwere Störung	Eine schwere Störung liegt vor, versuchen, die Steuerung ein paar Sekunden abzuschalten; falls dieser Status bleibt, ist ein Defekt vorhanden und die elektronische Steuerkarte muss ausgetauscht werden
1-Mal Blinken pro Sekunde	Alles OK	Normalbetrieb der Steuerung
2-Mal Schnellblinken	Es erfolgte eine Statusvariation der Eingänge	Ist normal, wenn eine Änderung eines der Eingänge SCHRITTBETRIEB, STOP erfolgt oder die Photozellen angesprochen oder der Funksender benutzt wird
Mehrmaliges Blinken mit 1 Sekunde Pause	Verschiedenes	Ist dieselbe Anzeige, die an der Blinkleuchte oder der zusätzlichen Beleuchtung erfolgt. Siehe Tabelle Nr. 24
LED STOP	Ursache	HANDLUNG
Aus	Auslösung des Eingangs STOP	Die am Eingang STOP angeschlossenen Vorrichtungen überprüfen
Ein	Alles OK	Eingang STOP aktiv
LED P.P. (Schrittbetrieb)	Ursache	HANDLUNG
Aus	Alles OK	Eingang PP nicht aktiv
Ein	Auslösung des Eingangs PP	Ist normal, wenn die an Eingang PP angeschlossene Vorrichtung effektiv aktiviert ist

**Tabelle Nr. 26: LEDs an den Tasten der Steuerung**

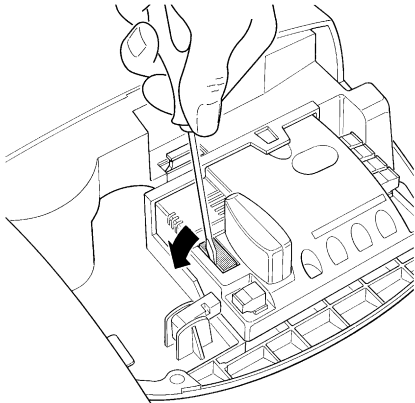
Led 1	Beschreibung
Aus	Zeigt beim Normalbetrieb an: "Automatische Schießung" nicht aktiv
Ein	Zeigt beim Normalbetrieb an: "Automatische Schießung" aktiv
Blinkt	<ul style="list-style-type: none"> <li>• Programmierung der Funktionen im Gang</li> <li>• Falls L1 zusammen mit L2 blinkt, muss die Erlernung der Vorrichtungen ausgeführt werden (siehe Paragraph "4.2 Erlernung der Vorrichtungen").</li> </ul>
Led L2	Beschreibung
Aus	Zeigt beim Normalbetrieb an: "Zulauf nach Foto" nicht aktiv.
Ein	Zeigt beim Normalbetrieb an: "Zulauf nach Foto" aktiv.
Blinkt	<ul style="list-style-type: none"> <li>• Programmierung der Funktionen im Gang</li> <li>• Falls L2 zusammen mit L1 blinkt, muss die Erlernung der Vorrichtungen ausgeführt werden (siehe Paragraph "4.2 Erlernung der Vorrichtungen").</li> </ul>
Led L3	Beschreibung
Aus	Zeigt beim Normalbetrieb an: "Motorkraft" für "schwere" Tore.
Ein	Zeigt beim Normalbetrieb an: "Motorkraft" für "leichte" Tore.
Blinkt	<ul style="list-style-type: none"> <li>• Programmierung der Funktionen im Gang</li> <li>• Falls L3 zusammen mit L4 blinkt, muss die Erlernung der Öffnungs- und Schließpositionen des Tors ausgeführt werden (siehe Paragraph "4.3 Erlernung der Öffnungs- und Schließpositionen des Tors").</li> </ul>
Led L4	Beschreibung
Aus	Zeigt beim Normalbetrieb an: "Stand-By" nicht aktiv.
Ein	Zeigt beim Normalbetrieb an: "Stand-By" aktiv.
Blinkt	<ul style="list-style-type: none"> <li>• Programmierung der Funktionen im Gang</li> <li>• Falls L4 zusammen mit L3 blinkt, muss die Erlernung der Öffnungs- und Schließpositionen des Tors ausgeführt werden (siehe Paragraph "4.3 Erlernung der Öffnungs- und Schließpositionen des Tors").</li> </ul>

## 7.8) Zubehör

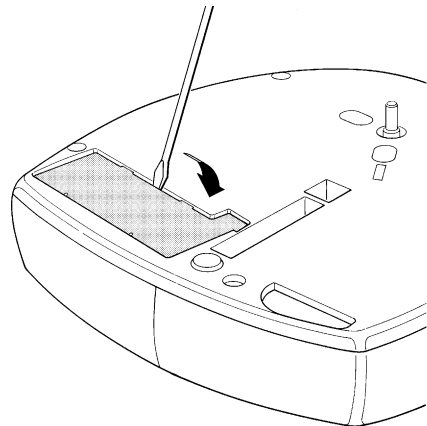
Für SPIN ist folgendes Sonderzubehör vorgesehen Für die vollständige und aktuelle Liste der Zubehörteile siehe den Produktkatalog der Nice S.p.a. .

### Für SN6031 und SN6041

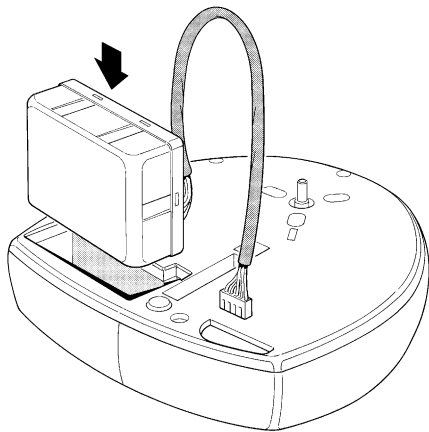
- PS124 24V – 1,2 Ah Pufferbatterie mit eingebautem Batterieladegerät.



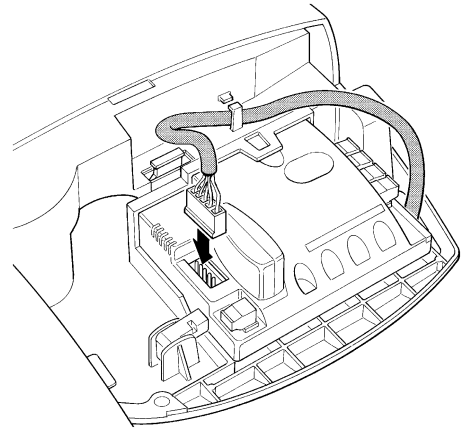
49



50



51



52

### Per SN6031 und SN6041

- SMXI oder SMXIS 433,92MHz Funkempfänger mit digitalem Rolling Code.

### Per SN6031

- SNA5 3m lange Führung mit einem Profil aus Zinkstahl. Riemenantrieb mit 4 Stahlseilen.

### Per SN6031 und SN6041

- SNA6 4 m lange Führung mit 2 Profilen (3m + 1m) aus Zinkstahl. Riemenantrieb mit 6 Stahlseilen.

### Für alle

- SPA2 Mechanische Entriegelung mit Metallseil. Für Anlagen, deren einziger Zugangspunkt das zu automatisierende Tor ist.

### Für alle

- SPA5 Schwenkarm. Ist notwendig, wenn das zu automatisierende Tor ein Schwingtor mit Gegengewichten oder Federn ist.

## 8) Technische Merkmale

Für eine Verbesserung der Produkte behält sich NICE S.p.a. das Recht vor, die technischen Merkmale jederzeit und ohne vorherige Benachrichtigung zu ändern, wobei aber vorgesehene Funktionalitäten und Einsätze erhalten bleiben.  
Alle technischen Merkmale beziehen sich auf eine Temperatur von 20°C (±5°C)

<b>Technische Merkmale: SPIN</b>			
<b>Modell Typ</b>	<b>SN6021</b>	<b>SN6031</b>	<b>SN6041</b>
Typik	Elektromechanischer Toröffner für die automatische Bewegung von Garagentoren an Wohngebäuden, komplett mit elektronischer Steuerung		
Ritzel	Durchmesser 9.5mm, 28 Zähne; für die Führungen SNA5, SNA6 und die mit SPIN20KCE, SPIN30 und SPIN40 gelieferten Führungen		
Max. Anlaufdrehmoment [entspricht der Fähigkeit, eine Kraft zu entwickeln, um das Tor in Bewegung zu setzen]	11.7Nm [650N]	11.7Nm [650N]	18Nm [1000N]
Nenn Drehmoment [entspricht der Fähigkeit, eine Kraft zu entwickeln, um das Tor in Bewegung zu halten]	5.85Nm [345N]	5.85Nm [345N]	9Nm [560N]
Geschwindigkeit ohne Last [entspricht] falls "Schnell" programmiert	106 rpm [0,20m/s] Steuerung ermöglicht die Programmierung von 4 Geschwindigkeiten von ca. 100% - 85% - 70% - 55%		
Geschwindigkeit mit Nenn Drehmoment [entspricht] falls "Schnell" programmiert	53 rpm [0,08m/s]		
Max. Anzahl der Betriebszyklen	50 Zyklen pro Tag (die Steuerung begrenzt die Anzahl der Zyklen auf das maximal Vorgesehene – siehe die Tabellen Nr. 4 und 5)		
Höchstzeit Dauerbetrieb	3 Minuten (die Steuerung begrenzt den Dauerbetrieb auf das maximal Vorgesehene – siehe die Tabellen Nr. 4 und 5))		
Einsatzgrenzen	Gewöhnlich ist SPIN imstande, Sektional- oder Schwingtore mit Abmessungen innerhalb der Werte in Tabelle Nr. 3 und nach den in den Tabellen Nr. 4 und 5 vorgesehenen Grenzen zu automatisieren.		
Versorgung SPIN	230Vac (±10%) 50/60Hz.		
Versorgung SPIN/V1	120Vac (±10%) 50/60Hz.		
Max. Leistungsaufnahme	250W	250W	370W
Energiereduzierung in Stand-By	---	weniger als 2,2W	weniger als 2,5W
Isolationsklasse	1 (Sicherheitserdung ist erforderlich)		
Notversorgung	---	Mit Sonderzubehör PS124	Mit Sonderzubehör PS124
Zusätzliche Beleuchtung SPIN	12V-21W Sockel BA15	230V-60W Sockel E27	230V-60W Sockel E27
Zusätzliche Beleuchtung SPIN/V1	12V-21W Sockel BA15	120V-60W Sockel E27	120V-60W Sockel E27
Ausgang FLASH	Falls als Kontrolllampe Tor Geöffnet programmiert: für max. eine 24V-5W Kontrolllampe Falls als Blinkleuchte programmiert: für 1 Blinkleuchte LUCYB (12V, 21W) Falls als Elektrosperre programmiert: für max. eine elektromechanische 24V- 10W Elektrosperre Falls als Saugscheibe programmiert: für max. eine elektromechanische 24V- 10W Saugscheibe		
Maximale Last BLUEBUS Ausgang	2	6	6
Eingang STOP	Für gewöhnlich geschlossene, gewöhnlich geöffnete Kontakte oder mit konstantem 8,2KΩ Widerstand; in Selbsterlernung (eine Variation im Vergleich zum gespeicherten Status verursacht den Steuerbefehl "STOP")		
Eingang PP	Für gewöhnlich geöffnete Kontakte (das Schließen des Kontaktes verursacht den Steuerbefehl P.P. = Schrittbetrieb)		
Eingang FUNKANTENNE	52Ω für Kabel Typ RG58 oder ähnliche		
Funkempfänger	Steckverbinder "SM" für Empfänger des Typs SMXI e SMXIS		
Programmierbare Funktionen	4 ON-OFF-Funktionen und 4 einstellbare Funktionen (siehe die Tabellen Nr. 15 und 17)		
Funktionen in Selbsterlernung	Selbsterlernung der am Ausgang BlueBUS angeschlossenen Vorrichtungen Selbsterlernung der "STOP"-Vorrichtung (NO-Kontakt, NC-Kontakt oder 8,2KΩ Widerstand). Selbsterlernung der Öffnungs- und Schließpositionen des Tors und Berechnung der Stellen, an denen die Verlangsamung und die Teilöffnung erfolgt.		
Betriebstemperatur	-20°C ÷ 50°C		
Benutzung in säure- und salzhaltiger oder explosionsgefährdeter Atmosphäre	Nein		
Schutzart	IP40 (Benutzung nur in Gebäuden oder geschützten Räumen)		
Abmessungen / Gewicht	311x327 h 105 / 3,6Kg		311x327 h 105 / 4,7Kg

### Technische Merkmale der Führungen

Modell Typ	Führung, enthalten in SPIN20KCE e SPIN30	Führung, enthalten in SPIN40	SNA5	SNA6
Typik	3-teiliges Zinkstahlprofil einteiliges		Zinkstahlprofil	2-teiliges Zinkstahlprofil
Führungslänge	3.15m	3.15m	3.15m	4.15m
Führungshöhe	35mm	35mm	35mm	35mm
Nutzlauf	2.5m	2.5m	2.5m	3.5m
Riemenlänge	6m	6m	6m	8m
Riemenhöhe	6mm	10mm	6mm	10mm
Zugfestigkeit	730N	1220N	730N	1220N

Technische Merkmale	Funkempfänger: SMXI	Funkempfänger: SMXIS
Typik	4-kanaliger Empfänger für Funksteuerung	
Frequenz	433.92MHz	
Codierung	Digital Rolling Code 52 Bit, Typ FLOR	Digital Rolling Code 64 Bit, Typ SMILO
Kompatibilität der Sender	FLOR, VERY VR; nur Einzelgruppe: ERGO, PLANO, PLANOTIME	SMILO
Speicherbare Sender	Bis zu 256, falls im Modus I gespeichert	
Eingangsimpedanz	52Ω	
Empfindlichkeit	besser als 0.5μV	
Reichweite der Sender	Von 100 bis 150m. Diese Entfernung kann bei Vorhandensein von Hindernissen und elektromagnetischen Störungen variieren und ist durch die Position der Empfangsantenne beeinflusst.	
Ausgänge	4 (an Verbinder SM)	
Betriebstemperatur	-10°C ÷ 55°C	

Technische Merkmale	Sender: FLO2R-S	Sender: SM2
Typik	2-kanaliger Sender für Funksteuerung	
Frequenz	433.92MHz	
Codierung	Digital Rolling Code 52 Bit, Typ FLOR	Digital Rolling Code 64 Bit, Typ SMILO
Tasten	2	
Versorgung	12Vdc mit 23A Batterie	
Aufnahme	25mA	
Dauer der Batterien	1 Jahre, geschätzt auf 20 Befehlen/Tag mit einer Dauer von 1s bei 20°C (bei niedrigen Temperaturen verkürzt sich die Dauer der Batterien)	
Abgestrahlte Leistung	100μW	
Abmessungen und Gewicht	72 x 40 h 18mm / 30g	Durchmesser 48 h14mm / 19g
Schutzart	IP 40 (Benutzung in Gebäuden oder geschützter Umgebung)	
Betriebstemperatur	-40°C ÷ 85°C	

## Anweisungen und Hinweise für den Benutzer des Toröffners SPIN

Die vorliegenden Anweisungen können und müssen die "Anweisungen und Hinweise für den Gebrauch der Automatisierung" ergänzen, die der Installateur dem Besitzer der Automatisierung übergeben muss.

**Wir gratulieren:** Ihnen zu Ihrer Wahl eines Nice Produktes für Ihre Automatisierung! Nice S.p.A. stellt Bestandteile für die Automatisierung von Türen und Toren, Rollläden, Behängen und Markisen her, wie Getriebemotoren, Steuerungen, Funksteuerungen, Blinkleuchten, Photozellen und Zubehör. Nice verwendet ausschließlich Werkstoffe und Verarbeitungen hochstehender Qualität und ist aufgrund der Nice Betriebsphilosophie immer auf der Suche nach innovativen Lösungen, um die Verwendung der Nice Apparaturen, vom technischen, ästhetischen und ergonomischen Standpunkt her besonders gepflegt, zu erleichtern: Ihr Installateur wird bestimmt das richtige Produkt in der großen Nice Palette für Sie ausgewählt haben. Nice ist jedoch nicht der Hersteller Ihrer Automatisierung, die das Ergebnis von Analysen, Bewertungen, Auswahl der Materialien und der Durchführung der Anlage durch Ihren Vertrauensinstallateur ist. Jede Automatisierung ist einzigartig, und nur Ihr Installateur besitzt die Erfahrung und Professionalität, die notwendig sind, um eine Anlage nach Ihrem Bedarf auszuführen, die sicher und dauerhaft zuverlässig und vor allem fachgerecht ist bzw. den gültigen Vorschriften entspricht. Eine Automatisierungsanlage ist etwas sehr bequemes, aber auch ein wertvolles Sicherheitssystem und dauert mit nur wenigen Eingriffen bestimmt jahrelang. Auch wenn Ihre Automatisierung den von den Vorschriften geforderten Sicherheitsniveaus entspricht, schließt dies das Vorhandensein von "Restrisiken" nicht aus, womit die Möglichkeit gemeint ist, dass gewöhnlich aufgrund eines verantwortungslosen oder falschen Gebrauchs Gefahren erzeugt werden können; wir möchten Ihnen deshalb ein paar Ratschläge geben, wie Sie sich verhalten sollten, um allen Unannehmlichkeiten aus dem Weg zu gehen:

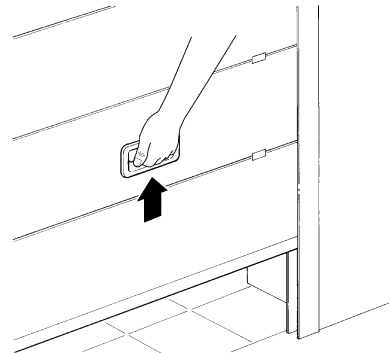
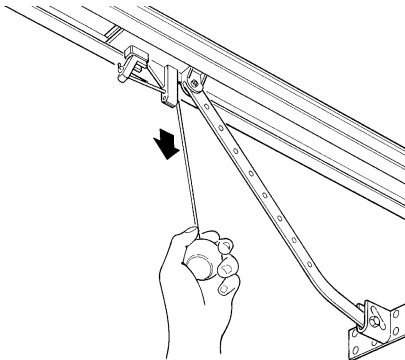
- **Bevor Sie die Automatisierung zum ersten Mal verwenden,** lassen Sie sich von Ihrem Installateur erklären, wie Restrisiken entstehen können, und widmen Sie dem Lesen **der Anweisungen und Hinweise für den Benutzer,** die Ihnen Ihr Installateur aushändigen wird, ein paar Minuten. Bewahren Sie die Anleitung für zukünftige Zweifelsfälle auf und übergeben Sie diese ggf. einem neuen Besitzer der Automatisierung.
- **Ihre Automatisierung ist eine Maschine, die Ihre Befehle getreu durchführt;** ein verantwortungsloser und unsachgemäßer Gebrauch kann gefährlich werden: verursachen Sie keine Bewegung der Automatisierung, wenn sich Personen, Tiere oder Gegenstände in ihrem Aktionskreis befinden.
- **Kinder:** eine Automatisierungsanlage gewährleistet einen hohen Sicherheitsgrad und verhindert mit ihren Schutzsystemen, dass sie sich bei Anwesenheit von Personen und Gegenständen bewegt, und gewährleistet eine immer vorhersehbare und sichere Aktivierung. Als Vorsichtsmaßnahme sollte man aber Kindern verbieten, in der Nähe der Automatisierung zu spielen, und man sollte die Fernbedienungen nicht in

der Reichweite von Kindern lassen: **es handelt sich nicht um ein Spiel!**

- **Störungen:** Schalten Sie die Stromversorgung zur Anlage ab, sobald Sie ein ungewöhnliches Verhalten der Automatisierung bemerken, und führen Sie die manuelle Entriegelung aus. Versuchen Sie nie, selbst Reparaturen auszuführen, sondern fordern Sie den Eingriff Ihres Vertrauensinstallateurs an: in der Zwischenzeit, nachdem Sie den Getriebemotor wie weiter vorne beschrieben entriegelt haben, kann die Anlage wie eine nicht automatisierte Vorrichtung funktionieren.
- **Wartung:** Wie jede Maschine benötigt auch Ihre Automatisierung eine regelmäßige Wartung, damit sie so lange wie möglich und in voller Sicherheit funktionieren kann. Vereinbaren Sie mit Ihrem Installateur einen programmierten Wartungsplan. Nice empfiehlt eine programmierte Wartung alle sechs Monate bei Normalgebrauch für den Haushalt, dieser Zeitraum kann aber je nachdem, wie häufig die Anlage benutzt wird, unterschiedlich sein. Arbeiten wie Wartung, Kontrollen und Reparaturen dürfen nur von Fachpersonal ausgeführt werden.
- Auch wenn Sie meinen, dass Sie wissen, wie das gemacht wird, ändern Sie die Anlage und die programmierten Parameter sowie die Einstellungen der Automatisierung nicht: diese Verantwortung steht Ihrem Installateur zu.
- Die Abnahme, die periodischen Wartungen und eventuelle Reparaturen müssen von dem, der diese Arbeiten ausführt, belegt sein, und diese Belege müssen vom Besitzer der Anlage aufbewahrt werden.  
**Die einzigen Eingriffe** die Sie ausführen und periodisch auch ausführen sollten, sind die Reinigung der Gläser an den Photozellen und die Entfernung eventueller Blätter oder Steine, die den Automatismus behindern könnten. Um zu verhindern, dass jemand das Tor betätigt, entriegeln Sie vor diesen **Arbeiten den Automatismus** (wie weiter vorne beschrieben). Zur Reinigung nur ein mit Wasser leicht benetztes Tuch verwenden.
- **Entsorgung:** Versichern Sie sich, dass die Entsorgung am Ende der Lebensdauer Ihrer Automatisierung von Fachpersonal gemacht wird und dass die Materialien nach den örtlich gültigen Vorschriften recycled oder entsorgt werden.
- **Im Falle von Defekten oder bei Stromausfall:** Warten Sie auf Ihren Installateur oder bis der Strom wieder vorhanden ist, falls Ihre Anlage keine Pufferbatterie hat; die Anlage kann wie eine beliebige nicht automatisierte Öffnungsvorrichtung betätigt werden. Dazu muss die manuelle Entriegelung ausgeführt werden. Diesem Vorgang, der einzige, den der Benutzer der Automatisierung ausführen kann, widmete Nice besondere Aufmerksamkeit, damit Sie diese Vorrichtung immer mit größter Einfachheit, ohne Werkzeug und ohne körperliche Anstrengungen betätigen können.

**Entriegelung und Bewegung von Hand ACHTUNG:** die Entriegelung kann nur ausgeführt werden, wenn das Tor steht.

1. Das Entriegelungsseil nach unten ziehen, bis man hört, dass sich der Wagen ausspannt.
2. Nun kann das Tor von Hand betätigt werden.
3. Um den Automatismus wieder in Betrieb zu setzen, das Tor in die Anfangsposition zurückbringen, bis man hört, dass sich der Wagen einspannt.



**Torbewegung mit Sicherheitsvorrichtungen außer Betrieb:** sollten die am Tor vorhandenen Sicherheitsvorrichtungen nicht korrekt funktionieren, kann das Tor trotzdem bewegt werden.

- Einen Befehl zur Bewegung des Tors erteilen (mit der Fernbedienung, dem Schlüsseltaster, usw.); wenn alles in Ordnung ist, wird sich das Tor normal öffnen oder schließen, andernfalls wird die Blinkleuchte mehrmals blinken und es erfolgt keine Bewegung (die Anzahl der Blinkvorgänge hängt von der Ursache ab, warum keine Bewegung erfolgt).
- In diesem Fall muss die Schaltvorrichtung innerhalb von drei Sekunden erneut **betätigt** werden und **betätigt bleiben**.
- Nach ca. 2s wird die Torbewegung im Modus "Todmann" erfolgen. Das bedeutet, dass sich das Tor bewegen wird, solange Sie die Schaltvorrichtung betätigen; sobald Sie diese loslassen, steht das Tor.

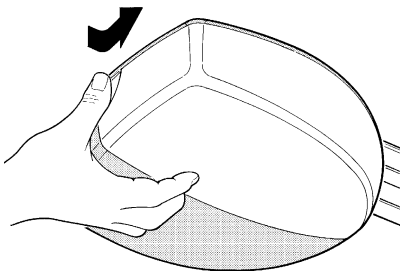
**Wenn die Sicherheitsvorrichtungen außer Betrieb sind, muss der Automatismus so schnell wie möglich repariert werden.**

**Ersatz der Batterie der Fernbedienung:** falls Ihre Funksteuerung nach einiger Zeit anscheinend schlechter oder gar nicht funktioniert, so könnte das ganz einfach von der leeren Batterie abhängen (je nach Gebrauch kann das nach mehreren Monaten bis zu mehr als einem Jahr geschehen). Sie können das an dem Leuchtmelder bemerken, der die Sendung bestätigt und nur schwach oder gar nicht oder nur ganz kurz leuchtet. Bevor Sie sich an den Installateur wenden, versuchen Sie, die Batterie mit der eines anderen, funktionierenden Senders auszuwechseln: sollte das die Ursache sein, genügt es, die alte Batterie mit einer anderen gleichen Typs auszuwechseln.

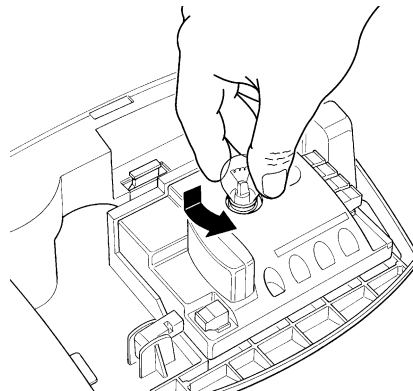
**ACHTUNG:** Batterien enthalten Schadstoffe: nicht in den Stadtmüll geben, sondern nach den örtlichen Verordnungen entsorgen.

**Ersatz der Glühbirne:** vor Durchführung dieser Arbeit, die Stromversorgung zu SPIN abschalten.

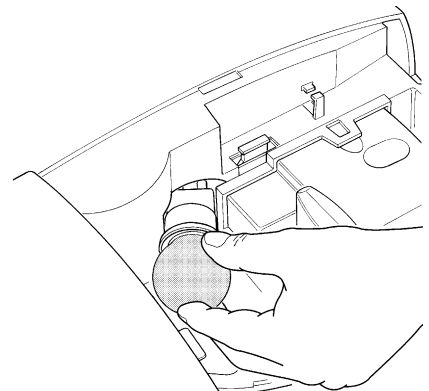
1. Auf den weißen Deckel drücken, diesen drehen und so öffnen.



2. Für SN6021: die Glühbirne herausnehmen, indem nach oben gedrückt wird, dann die Glühbirne drehen. Eine neue 12V / 21W Glühbirne mit Sockel BA15 einbauen.



3. Für SN6031 und SN6041: die defekte Glühbirne herausschrauben. Eine neue 230V / 60W Glühbirne mit Sockel E27 einbauen.



**Sind Sie zufrieden?** Wenn Sie eine neue Automatisierung für Ihr Haus wollen und sich an denselben Installateur und an Nice wenden, werden Sie sich die Beratung eines Fachmanns und die fortgeschrittensten Produkte auf dem Markt, aber auch den besten Betrieb und die größte Verträglichkeit zwischen den Automatisierungen zusichern. Wir danken Ihnen, dass Sie diese Ratschläge gelesen haben, und wünschen Ihnen größte Zufriedenheit mit Ihrer neuen Anlage: wenden Sie sich für gegenwärtige oder zukünftige Bedarfsfälle vertrauensvoll an Ihren Installateur.





# Spin

Índice:	pág.
<b>1</b> Advertencias	115
<b>2</b> Descripción del producto	115
<b>2.1</b> Límites de utilización	116
<b>2.2</b> Instalación típica	117
<b>2.3</b> Listado de los cables	117
<b>3</b> Instalación	118
<b>3.1</b> Controles preliminares	118
<b>3.2</b> Fijación SPIN	118
<b>3.2.1</b> Ensamblaje de la guía entregada con SPIN20KCE, SPIN30 e SPIN40	119
<b>3.2.2</b> Ensamblaje de la guía SNA5	119
<b>3.2.3</b> Ensamblaje de la guía SNA6	119
<b>3.2.4</b> Fijación del motorreductor a la guía	120
<b>3.2.5</b> Fijación del motorreductor al techo	120
<b>3.3</b> Instalación de diversos dispositivos	122
<b>3.4</b> Conexiones eléctricas	122
<b>3.5</b> Descripción de las conexiones eléctricas	123
<b>4</b> Controles finales y arranque	123
<b>4.1</b> Conexión de la alimentación	123
<b>4.2</b> Aprendizaje de los dispositivos	124
<b>4.3</b> Aprendizaje de las posiciones de apertura y cierre de la puerta	124
<b>4.4</b> Control del movimiento de la puerta	124
<b>4.5</b> Funciones predefinidas	125
<b>4.6</b> Radiorreceptor	125
<b>4.6.1</b> Memorización de los transmisores	125
<b>4.6.2</b> Memorización Modo I	126
<b>4.6.3</b> Memorización Modo II	126
<b>4.6.4</b> Memorización "a distancia"	126
<b>4.6.5</b> Borrado de los radiotransmisores	127
<b>4.6.6</b> Declaración de conformidad radiorreceptor y radiotransmisor	127
<b>5</b> Ensayo y puesta en servicio	127
<b>5.1</b> Ensayo	127
<b>5.2</b> Puesta en servicio	128
<b>6</b> Mantenimiento y desguace	128
<b>6.1</b> Mantenimiento	128
<b>6.2</b> Desguace	128
<b>7</b> Otras informaciones	129
<b>7.1</b> Botones de programación	129
<b>7.2</b> Programaciones	129
<b>7.2.1</b> Funciones de primer nivel (funciones ON-OFF)	129
<b>7.2.2</b> Programación de primer nivel (funciones ON-OFF)	130
<b>7.2.3</b> Funciones de segundo nivel (parámetros regulables)	130
<b>7.2.4</b> Programación de segundo nivel (parámetros regulables)	130
<b>7.2.5</b> Ejemplo de programación de primer nivel (funciones ON-OFF)	131
<b>7.2.6</b> Ejemplo de programación de segundo nivel (parámetros regulables)	131
<b>7.3</b> Instalación o desinstalación de dispositivos	131
<b>7.3.1</b> BlueBUS	131
<b>7.3.2</b> Entrada STOP	132
<b>7.3.3</b> Fococélulas	132
<b>7.3.4</b> Aprendizaje de otros dispositivos	133
<b>7.4</b> Funciones especiales	133
<b>7.4.1</b> Función "Abrir siempre"	133
<b>7.4.2</b> Función "Mover Igualmente"	133
<b>7.5</b> Conexión de otros dispositivos	133
<b>7.6</b> Solución de los problemas	134
<b>7.7</b> Diagnóstico y señales	134
<b>7.7.1</b> Señalización con luz intermitente y luz de cortesía	134
<b>7.7.2</b> Señalizaciones en la central	135
<b>7.8</b> Accesorios	136
<b>8</b> Características técnicas	137
Instrucciones y advertencias para el usuario del motorreductor SPIN	139

## 1) Advertencias

Este manual de instrucciones contiene informaciones importantes en materia de seguridad para la instalación; es necesario leer detenidamente todas las instrucciones antes de comenzar la instalación. Conserve este manual en buenas condiciones para su consultación posterior.

En el presente manual se indicarán los datos, advertencias y lo que sea común a todos los productos que utilicen el nombre de la línea: "SPIN". La descripción de cada producto está presente en el capítulo "2 Descripción del producto".

Considerando las situaciones de peligro que pueden generarse durante la instalación y el uso de SPIN, para una mayor seguridad es oportuno que también la instalación sea realizada respetando plenamente las leyes, normas y reglamentos. En este capítulo se indicarán las advertencias de tipo general; otras advertencias importantes están presentes en los capítulos "3.1 Controles preliminares"; "5 Ensayo y puesta en servicio".

**⚠ Según la legislación europea más reciente, la realización de una puerta o cancela automática entra en el ámbito de las disposiciones de la Directiva 98/37/CE (Directiva de Máquinas) y, en particular, de las normas: EN 12445; EN 12453 y EN 12635 que permiten declarar la presunción de conformidad.**

Más informaciones, directrices para el análisis de los riesgos y para la realización del Expediente Técnico están disponibles en: "www.niceforyou.com".

- Este manual está destinado exclusivamente a personal técnico cualificado para la instalación. Salvo el anexo específico que el instalador se encargará de separar, "Instrucciones y advertencias destinadas al usuario del motorreductor SPIN" ninguna de las informaciones aquí incluidas puede ser de interés para el usuario final.
- Está prohibido utilizar el SPIN con una finalidad diferente de aquella dispuesta en estas instrucciones; un uso inadecuado puede originar

peligros o daños a las personas y bienes.

- Antes de comenzar la instalación es oportuno efectuar un análisis de los riesgos que incluya la lista de los requisitos esenciales de seguridad previstos en el anexo I de la Directiva de Máquinas, indicando las soluciones correspondientes adoptadas. Recuérdese que el análisis de los riesgos es uno de los documentos que forman el "expediente técnico" del automatismo.
- Compruebe si es necesario incorporar otros dispositivos que puedan servir para completar la automatización con el SPIN según la situación de empleo específica y los peligros presentes: por ejemplo, deben considerarse los peligros de choque, aplastamiento, amputación, arrastre, etc. y otros peligros en general.
- No modifique ninguna parte salvo que esté previsto en estas instrucciones; los trabajos de este tipo pueden causar solamente desperfectos; NICE no es responsable de los daños que deriven de productos modificados.
- Durante la instalación y el uso procure que no puedan entrar elementos sólidos o líquidos dentro de la central o de otros dispositivos abiertos; de ser oportuno, diríjase al servicio de asistencia NICE; el uso del SPIN en situaciones análogas puede originar situaciones peligrosas.
- El automatismo no puede utilizarse antes de haberlo puesto en servicio tal como especificado en el capítulo: "5 Ensayo y puesta en servicio".
- El material de embalaje del SPIN debe eliminarse respetando la normativa local.
- Si el desperfecto no pudiera resolverse utilizando las informaciones indicadas en este manual, diríjase al servicio de asistencia NICE.
- Si se desconectaran los interruptores automáticos o los fusibles, antes de restablecerlos hay que localizar y eliminar la avería.
- Antes de acceder a los bornes en el interior de la tapa del SPIN, desconecte todos los circuitos de alimentación; si el dispositivo de desconexión no queda a la vista colóquelo un cartel: "ATENCIÓN MANTENIMIENTO EN CURSO".

## 2) Descripción del producto

El SPIN es una línea de motorreductores destinados a automatizar puertas seccionales y con el accesorio SPA5, no suministrado, puede automatizar puertas basculantes de muelles o con contrapesos, tanto sean desbordantes como no desbordantes.

Las conexiones eléctricas hacia los dispositivos exteriores son sencillas gracias a la utilización de "BlueBUS", una técnica que permite conectar diversos dispositivos tan sólo con 2 cables.

Los SPIN funcionan con energía eléctrica, si se corta la alimentación eléctrica, es posible desbloquear el motorreductor y mover la puerta manualmente. En las versiones que así lo disponen, es posible utilizar el accesorio batería compensadora PS124, que permite realizar algunas maniobras incluso ante el fallo de la alimentación de red.

Los productos descritos en las tablas N°1 y N°2 forman parte de la línea SPIN.

**Tabla N°1 : descripción de la composición del SPIN**

Modelo tipo	Motorreductor	Guía	Radorreceptor	Radiotransmisor
SPIN20KCE	SN6021	3x1m	SMXI	FLO2R-S
SPIN21KCE	SN6021	3m	SMXI	FLO2R-S
SPIN30	SN6031	3x1m	---	---
SPIN40	SN6041	3x1m	---	---
SN6031	SN6031	---	---	---
SN6041	SN6041	---	---	---

El SN6031 debe equiparse con las guías SNA5 (3m) o SNA6 (3m + 1m).

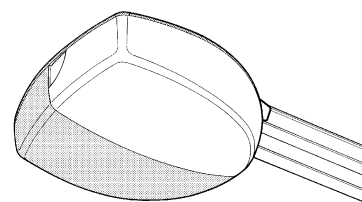
El SN6041 debe equiparse con las guías SNA6 (3m + 1m).

SPIN30; SPIN40; SN6031 y SN6041 pueden completarse con los radorreceptores SMXI o SMXIS y los radiotransmisores correspondientes.

**Tabla N°2: comparación de las características esenciales de los motorreductores SPIN**

Motorreductor tipo	SN6021	SN6031	SN6041
Par máximo (correspondientes a fuerza máxima)	11.7 Nm (650N)	11.7 Nm (650N)	18 Nm (1000N)
Reducción consumo en Stand-By	No	Sí	Sí
Unidades BlueBus máximas	2	6	6
Alimentación de emergencia	No	con PS124	con PS124
Luz de cortesía (conexión bombilla)	12V - 21W (BA15)	230V* - 60W (E27)	230V* - 60W (E27)

\* 120V en las versiones SPIN/V1



1

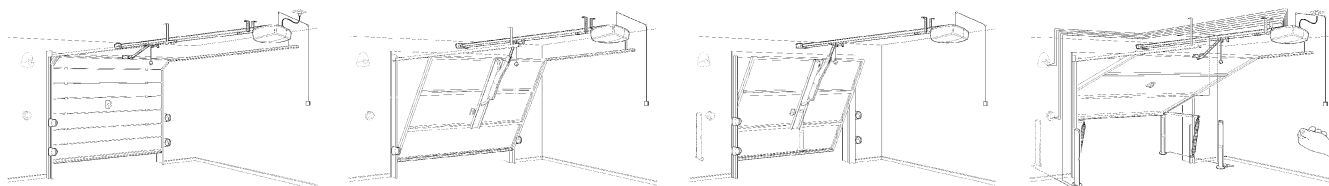
## 2.1) Límites de utilización

Los datos referidos a las prestaciones de los productos de la línea SPIN están indicados en el capítulo "8 Características técnicas" y son los únicos valores que permiten la evaluación correcta de la idoneidad para su uso.

Por sus características estructurales, los productos SPIN son adecuados para ser utilizados en puertas seccionales o basculantes, según los límites indicados en las tablas N°3, 4 y 5.

**Tabla N°3: límites de empleo de los motorreductores SPINa**

Modelo tipo:	Puerta SECCIONAL		Puerta BASCULANTE no desbordante (con accesorio SPA5)		Puerta BASCULANTE desbordante (con accesorio SPA5) o con muelles (sin SPA5)	
	Altura	Ancho	Altura	Ancho	Altura	Ancho
SPIN20KCE	2.4m	4.4m	2.2m	4.2m	2.8m	4.2m
SPIN21KCE	2.4m	4.4m	2.2m	4.2m	2.8m	4.2m
SPIN30	2.4m	4.4m	2.2m	4.2m	2.8m	4.2m
SPIN40	2.4m	5.2m	2.2m	4.2m	2.8m	4.2m
SN6031 (SNA5)	2.4m	4.4m	2.2m	4.2m	2.8m	4.2m
SN6031 (SNA6)	3.4m	3.1m	3.2m	2.9m	3.5m	3.4m
SN6041 (SNA6)	3.4m	5.2m	3.2m	4.2m	3.5m	4.2m



Las medidas en la tabla N°3 son puramente indicativas y sirven sólo para una evaluación general. La idoneidad real del SPIN para automatizar una puerta determinada depende del grado de compensación de la hoja; de la fricción en las guías y de otros fenómenos, incluso ocasionales, tal como la presión del viento o la presencia de hielo que podría impedir el movimiento de la puerta.

Para una verificación real es absolutamente indispensable medir la fuerza necesaria para mover la puerta a lo largo de toda su carrera y controlar que dicha fuerza no supere el "par nominal" indicado en el capítulo "8 Características técnicas"; asimismo, para establecer el número de ciclos/hora y los ciclos consecutivos hay que considerar las indicaciones en las tablas N°4 y N°5

**Tabla N°4: límites en relación con la altura de la puerta**

Altura puerta metros	ciclos/hora máximos	ciclos consecutivos máximos
Hasta 2	20	10
2÷2,5	15	7
2,5÷3	12	5
3÷3,5	10	4

**Tabla N°5: límites con relación a la fuerza necesaria para mover la puerta**

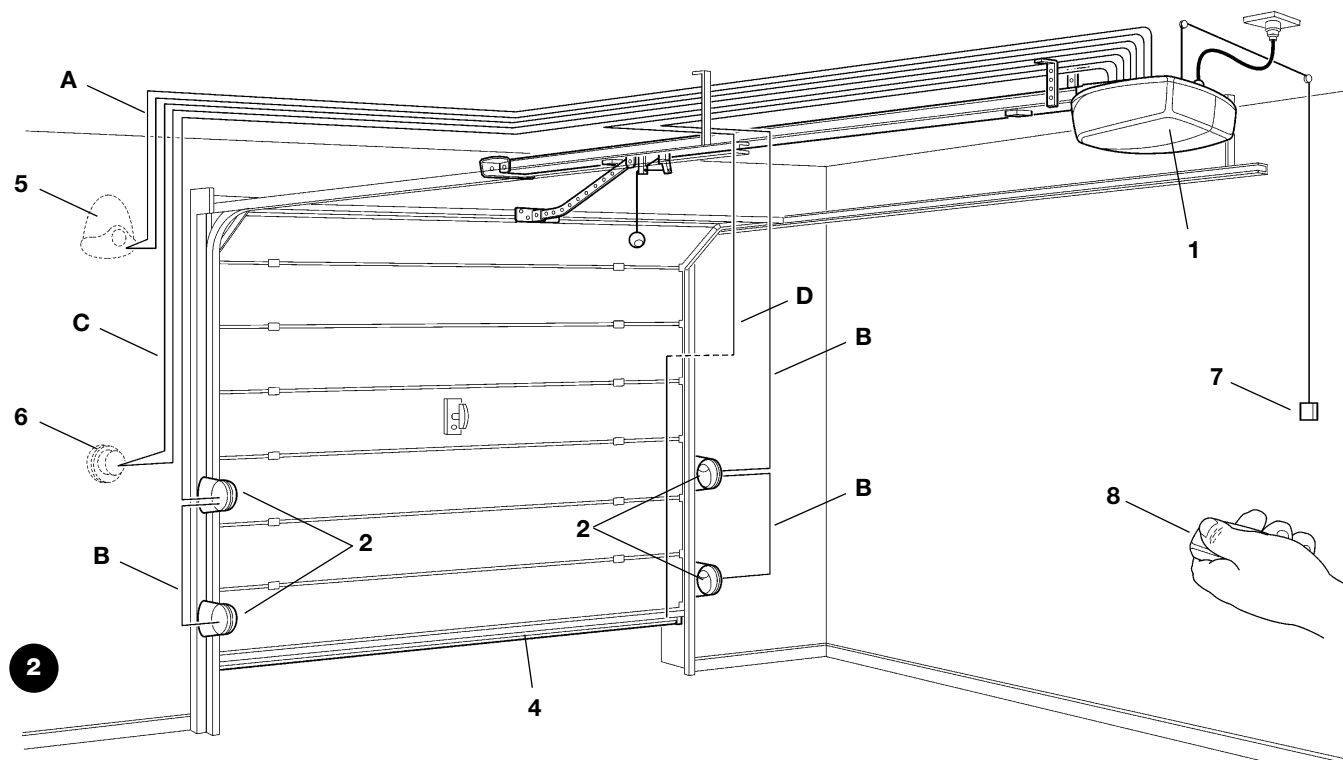
Fuerza para mover la puerta N	Porcentaje de reducción de los ciclos	
	SN6021 - SN6031	SN6041
Hasta 250	100%	100%
250÷400	70%	90%
400÷500	25%	70%
500÷650	---	40%
650÷850	---	25%

La altura de la puerta permite determinar la cantidad máxima de ciclos por hora y de ciclos consecutivos, mientras que la fuerza necesaria para moverla permite determinar el porcentaje de reducción de los ciclos; por ejemplo, si la hoja tiene una altura de 2,2 m admitiría 15 ciclos/hora y 7 ciclos consecutivos, pero si para mover la hoja se precisan 300N, utilizando el motorreductor SN6021 hay que reducirlos a 70%, por lo que el resultado es 10 ciclos/hora y cerca de 5 ciclos consecutivos. Para evitar recalentamientos, la central incorpora un limitador que se basa sobre el esfuerzo del motor y la duración de los ciclos, activándose cuando se supera el límite máximo.

**Nota:** 1 kg = 9.81N , por ejemplo, 500N = 51Kg

## 2.2) Instalación típica

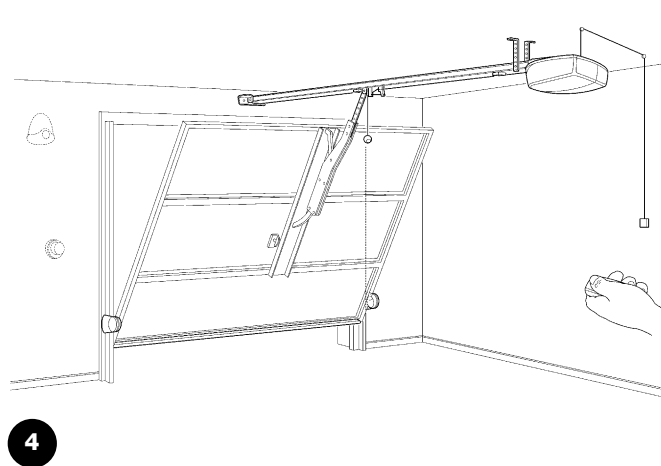
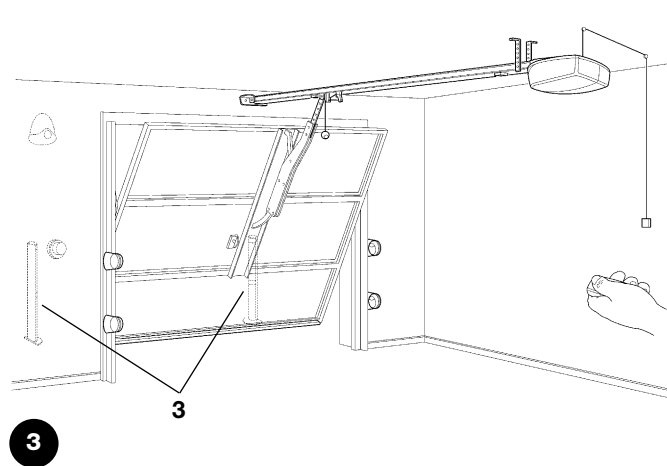
En la figura 2, se muestra la instalación típica para una puerta seccional.



- |                                   |   |                      |
|-----------------------------------|---|----------------------|
| 1 SPIN                            | 4 Banda principal                         | 6 Antena             |
| 2 Fotocélulas                     | 5 Luz intermitente con antena incorporada | 7 Selector de llave  |
| 3 Fotocélulas en columna (fig. 3) |   | 8 Tirador función PP |

En las figuras 3, 4 se muestran las instalaciones típicas para una puerta basculante desbordante y no desbordante.

**⚠ Para instalaciones en puertas basculantes es necesario el accesorio SPA5.**



## 2.3) Listado de los cables

En la instalación típica de la figura 2 se indican también los cables necesarios para las conexiones de los diversos dispositivos; en la tabla N°6 se indican las características de los cables.

**⚠ Los cables utilizados deben ser adecuados para el tipo de instalación; por ejemplo, se aconseja un cable tipo H03VV-F para la instalación en interiores.**

**Tabla N°6: listado de los cables**

Conexión	Tipo de cable	Longitud máxima admitida
A: Luz intermitente con antena	N°1 cable 2x0,5mm <sup>2</sup> 5mm <sup>2</sup> N°1 cable blindado tipo RG58	20m 20m (aconsejado menor que 5 m)
B: Fotocélulas	N°1 cable 2x0,5mm <sup>2</sup>	30m
C: Selector de llave	N°2 cables 2x0,5mm <sup>2</sup> (nota 1)	50m
D: Banda sensible principal	N°1 cable 2x0,5mm <sup>2</sup> (nota 2-3)	30m

**Nota 1:** los dos cables 2x0,5mm<sup>2</sup> pueden reemplazarse por un solo cable 4x0,5mm<sup>2</sup>.

**Nota 2:** si se incorpora más de una banda sensible véase el capítulo "7.3.2 Entrada STOP", para el tipo de conexión aconsejada

**Nota 3:** para la conexión de las bandas sensibles en las puertas hay que utilizar dispositivos oportunos que permitan la conexión también con la puerta en movimiento.

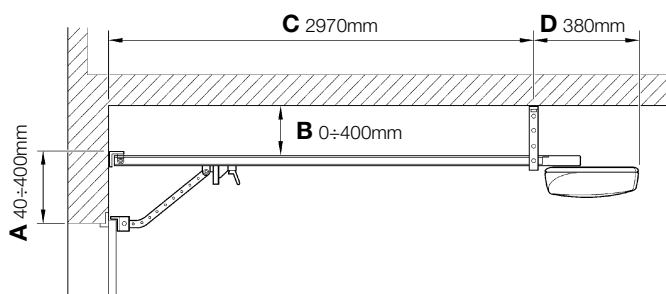
### 3) Instalación

**⚠ La instalación del SPIN debe ser efectuada por personal cualificado, respetando las leyes, normas y reglamentos y las indicaciones de las presentes instrucciones.**

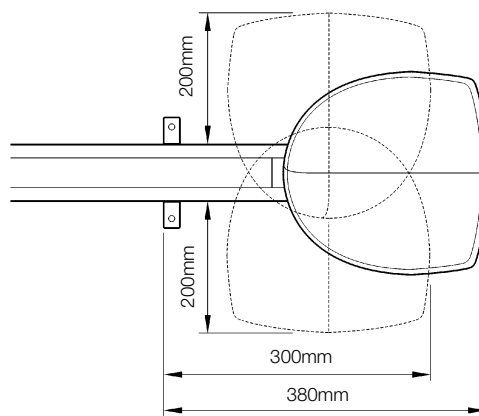
#### 3.1) Controles preliminares

Antes de comenzar con la instalación del SPIN es necesario efectuar los siguientes controles:

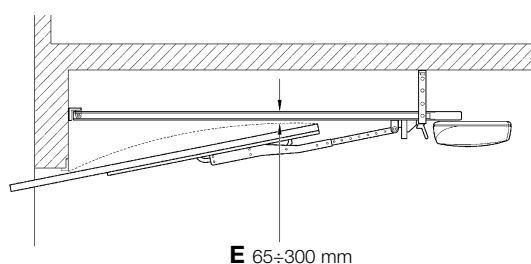
- Controle que todo el material a utilizar esté en perfecto estado, sea adecuado para su uso y que respete las normas.
- Controle que la estructura de la puerta sea adecuada para su automatización.
- Controle que la fuerza y las dimensiones de la puerta respeten los límites de utilización indicados en el capítulo "2.1 Límites de utilización"
- Controle, comparando con los valores indicados en el capítulo "8 Características técnicas", que la fricción estática (es decir la fuerza necesaria para poner en movimiento la hoja) sea inferior a la mitad del "Par máximo" y que la fricción dinámica (es decir la fuerza necesaria para mantener la hoja en movimiento) sea inferior a la mitad del "Par nominal"; se aconseja un margen del 50% sobre las fuerzas, porque las condiciones climáticas adversas pueden aumentar las fricciones.
- Controle que en la carrera de la puerta, tanto de cierre como de apertura, no haya puntos de fricción.
- Controle la robustez de los topes mecánicos y que no haya peligro de que la puerta se salga de las guías.
- Controle que la puerta esté bien equilibrada, es decir que no debe moverse al dejarla detenida en cualquier posición.
- Controle que los puntos de fijación de los distintos dispositivos (fotocélulas, botones, etc.) se encuentren en zonas protegidas de choques y que las superficies sean suficientemente firmes..
- Controle que haya los espacios mínimos y máximos indicados en las Figuras 5 y 6.
- Evite que los componentes del automatismo puedan quedar sumergidos en agua o en otras sustancias líquidas.
- No coloque ningún componente del SPIN cerca de fuentes de calor ni lo exponga al fuego, podría arruinarse y provocar desperfectos, incendio o situaciones de peligro.
- Si hubiera un portillón de paso en la misma hoja, asegúrese de que no obstaculice la carrera normal e incorpore un sistema de interbloqueo oportuno en su caso.
- Si la puerta a automatizar es basculante, controle la cota [E] de la Figura 7, es decir la distancia mínima entre el lado superior de la guía y el punto máximo alcanzado por el borde superior de la puerta. Por el contrario no se puede montar el SPIN.
- Conecte la clavija de alimentación del SPIN a una toma eléctrica dotada de puesta a tierra de seguridad.
- La toma eléctrica debe estar protegida por un dispositivo magnetotérmico y diferencial adecuado.



5



6



7

#### 3.2) Fijación del SPIN

La fijación del SPIN se desarrolla en 3 pasos:

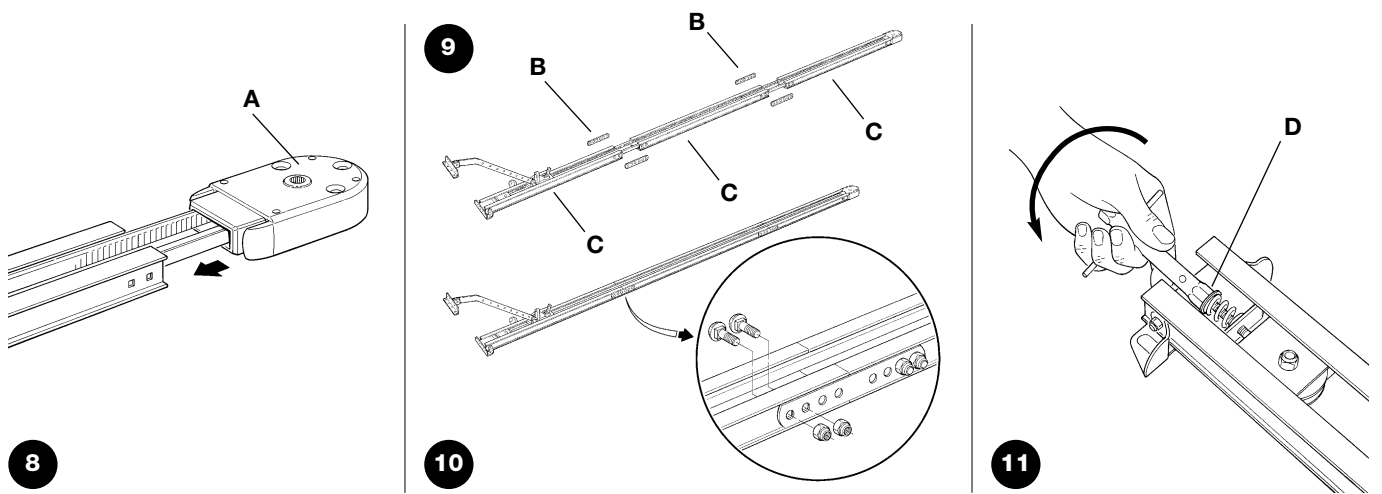
- Ensamblaje de la guía (véase párrafo 3.2.1 para las guías entregadas con SPIN20KCE, SPIN30 y SPIN40, párrafo 3.2.2 para la guía SNA5 y párrafo 3.2.3 para la guía SNA6)
- Fijación del motorreductor a la guía (véase párrafo 3.2.4)
- Fijación del motorreductor al techo (véase párrafo 3.2.5)

**⚠ Para SN6031 hay que disponer de una guía SNA5 o SNA6, mientras que para SN6041 hay que disponer de una guía SNA6 .**

### 3.2.1) Ensamblaje de la guía entregada con SPIN20KCE, SPIN30 y SPIN40

La guía entregada con SPIN20KCE, SPIN30 y SPIN40 debe ensamblarse de la siguiente manera:

1. Prepare las tres partes que componen la guía, a fin de poderlas unir entre sí. Controle la posición de la correa: debe estar con los dientes vueltos hacia el interior, derecha y sin partes retorcidas
2. Ensamble el extremo de la guía (A), tal como muestra la Figura 8. Para ensamblar dicha parte hay que hacer un poco de fuerza, de ser necesario utilice un martillo de goma.
3. Con las placas de unión (B), fije entre sí las tres partes (C), figuras 9 y 10.
4. Tense la correa mediante la tuerca M8 (D), como muestra la figura 11, hasta que quede lo bastante rígida.



### 3.2.2) Ensamblaje de la guía SNA5

La guía SNA5 ya está preensamblada. La única operación necesaria es tensar la correa mediante la tuerca M8 (D), como muestra la figura 11, hasta que quede lo bastante rígida

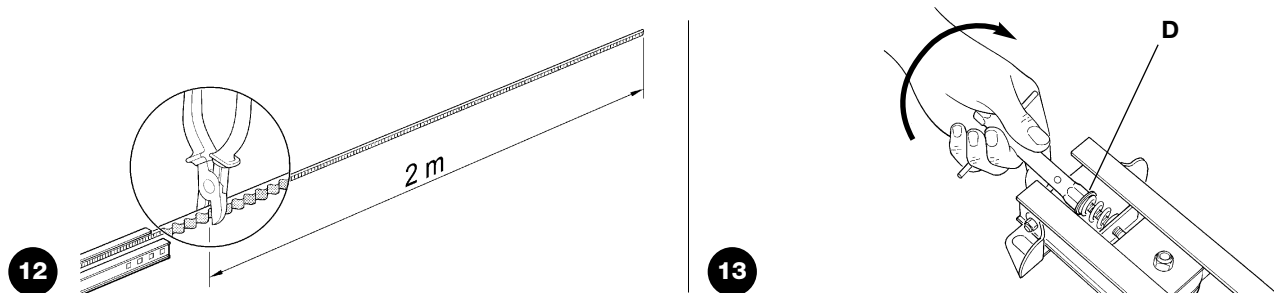
### 3.2.3) Ensamblaje de la guía SNA6

La guía SNA6 está formada de 2 perfiles: uno de 3 m y otro de 1 m, lo que permite armar la guía en 2 versiones:

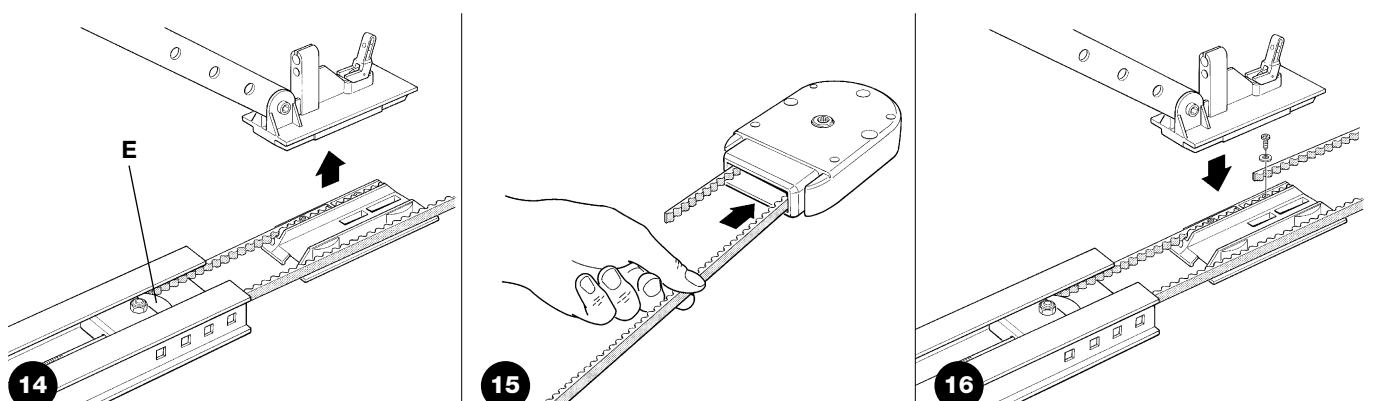
#### Versión de 3m

Si la puerta a automatizar tiene una altura igual o inferior a 2,5 m ensamble la guía de esta manera:

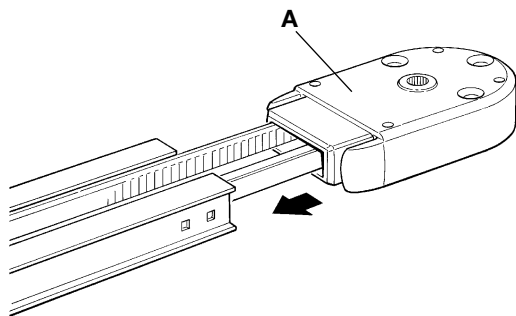
1. Corte la correa del extremo libre con una longitud de 2 m exactos, como muestra la figura 12.
2. Desenrosque completamente la tuerca M8 (D), tal como muestra la figura 13.



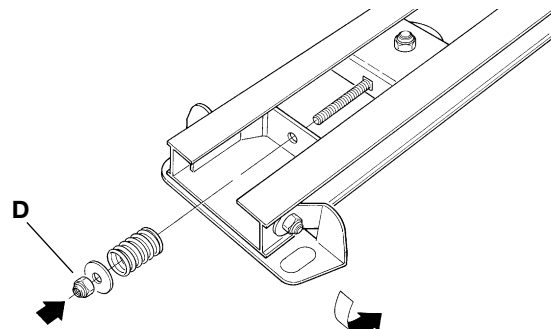
3. Haga deslizar hasta la mitad de la guía el tensor de correa (E), como muestra la figura 14, y extraiga completamente el carro.
4. Haga pasar el extremo libre de la correa a través de la cabeza, como muestra la figura 15, y fijela al carro con los tornillos y arandelas montados, como muestra la figura 16. Controle la posición de la correa: debe quedar con los dientes vueltos hacia el interior, derecha y sin partes retorcidas.



- Coloque en la posición original el tensor de correa y el carro. Ensamble el extremo de la guía (A), tal como muestra la Figura 17. Para ensamblar dicha parte hay que hacer un poco de fuerza, de ser necesario utilice un martillo de goma.
- Coloque en el tornillo del tensor de correa el muelle, la arandela y la tuerca M8 (D), tal como muestra la figura 18.
- Tense la correa mediante la tuerca M8 (D), (figura 11) hasta que quede lo bastante rígida.



17



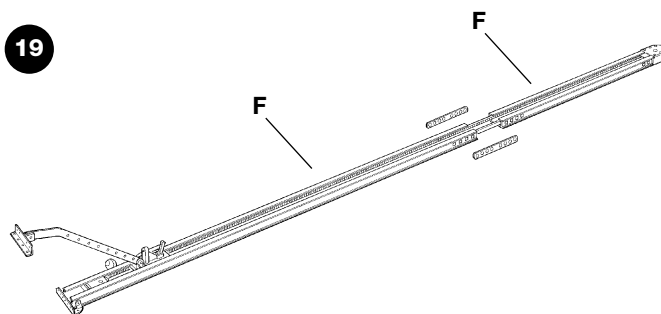
18

#### Versión de 4m

Si la puerta a automatizar tiene una altura igual o inferior a 2,5m ensamble la guía de esta manera:

- Desenrosque completamente la tuerca M8 (D), tal como muestra la figura 13.
- Haga deslizar hasta la mitad de la guía el tensor de correa (E), como muestra la figura 14, y extraiga completamente el carro.
- Haga pasar el extremo libre de la correa a través de la cabeza, como muestra la figura 15, y fíjela al carro con los tornillos y arandelas montados, como muestra la figura 16. Controle la posición de la correa: debe quedar con los dientes vueltos hacia el interior, derecha y sin partes retorcidas.
- Ensamble el extremo de la guía (A), tal como muestra la Figura 17. Para ensamblar dicha hay que hacer un poco de fuerza, de ser necesario utilice un martillo de goma.
- Con las placas de unión (B), fije entre sí las tres partes (F), figura 19.
- Coloque nuevamente en la posición original el tensor de correa y el carro.

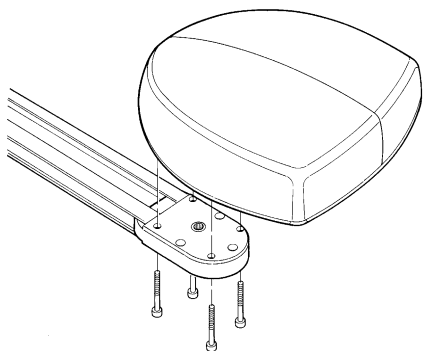
19



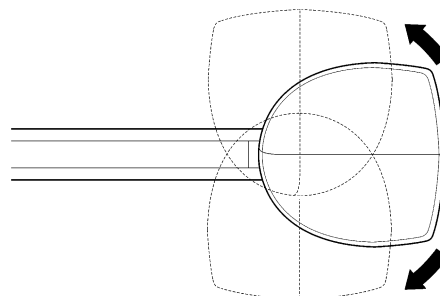
- Coloque en el tornillo del tensor de correa el muelle, la arandela y la tuerca M8 (D), tal como muestra la figura 18.
- Tense la correa mediante la tuerca M8 (D), (figura 11) hasta que quede lo bastante rígida.

#### 3.2.4) Fijación del motorreductor a la guía

- Acople el motorreductor SPIN al extremo de la guía [A]; después, fíjelo con los 4 tornillos V6.3x38, véase la figura 20.
- El motor puede girarse en tres posiciones diferentes, tal como muestra la figura 21.



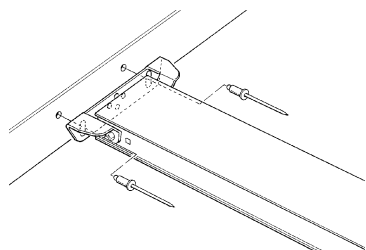
20



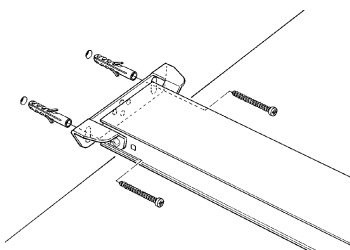
21

#### 3.2.5) Fijación del motorreductor al techo

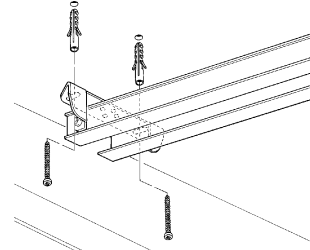
- Respetando las medidas A, B de figura 5, trace en el centro de la puerta los dos puntos de fijación del estribo delantero de la guía. Según el tipo de material, el estribo delantero puede fijarse con remaches, tacos o tornillos (Figuras 22, 23). Si las medidas A, B (figura 5) lo permiten, el estribo puede fijarse directamente al techo. véase figura 24



22



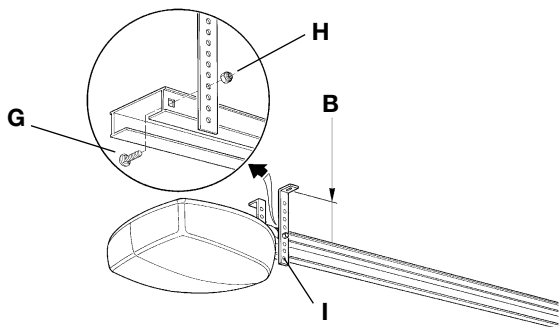
23



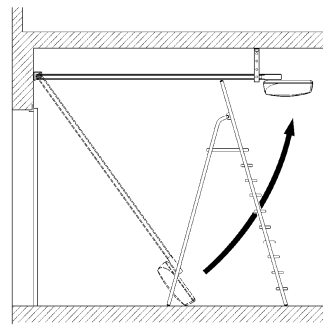
24



- Tras haber perforado en los puntos previstos, dejando el motorreductor sobre el piso, levante la guía por la parte delantera y fijela con dos tornillos, tacos o remaches en función de la superficie.
- Fije los estribos (I) con los tornillos M6x15 (G) y las tuercas M6 (H), escogiendo el agujero que permita respetar lo más posible la cota B, véase la figura 25.
- Subiéndose a una escalera, levante el motorreductor hasta apoyar los estribos contra el techo. Marque los puntos de taladrado y coloque de nuevo del motorreductor sobre el piso, tal como muestra la figura 26

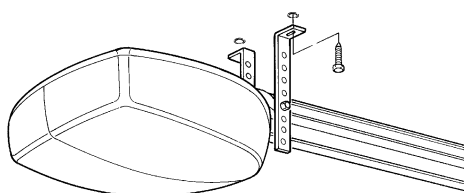


25

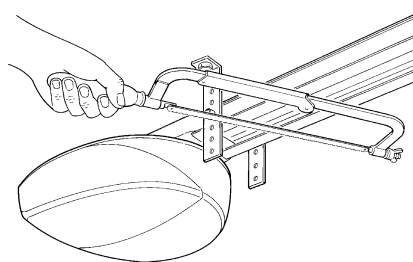


26

- Taladre en los puntos marcados y, utilizando una escalera, apoye el motorreductor hasta que los estribos se apoyen contra los taladros recién hechos y fije con los tornillos y tacos adecuados para el material, véase la figura 27.
- Controle que la guía esté perfectamente horizontal; corte con una sierra la parte excedente de los estribos, véase figura 28.

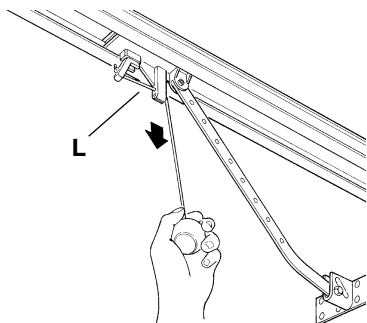


27

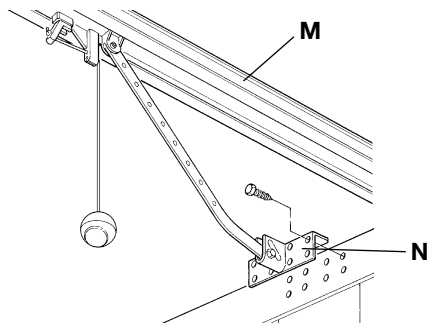


28

- Con la puerta cerrada, jale del tirador para desenganchar el carro (L), véase figura 29.
- Haga deslizar el carro hasta colocar el estribo de sujeción a la puerta (N) en el borde superior de la puerta, exactamente perpendicular a la guía (M). Fije el estribo de sujeción a la puerta (N) con remaches o tornillos, como muestra la figura 30. Utilice tornillos o remaches adecuados para el material de la puerta, verificando que sean capaces de soportar todo el esfuerzo necesario para la apertura y cierre de la misma puerta.

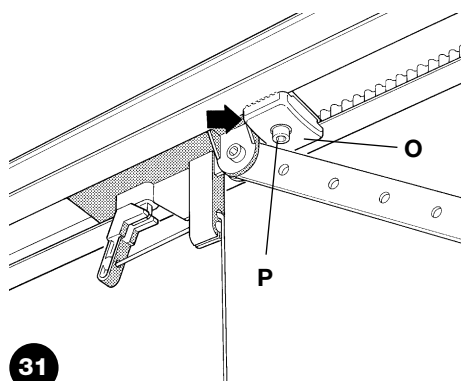


29

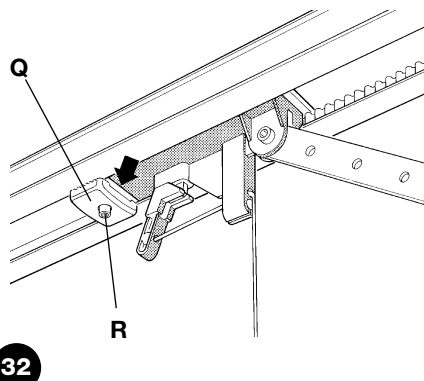


30

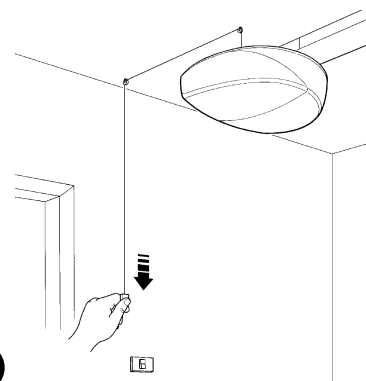
- Aloje los tornillos de los dos topes mecánicos, desplace el tope mecánico de parada delantera (O) adelante del carro, véase la figura 31. Empuje el carro con fuerza hacia la dirección de cierre y, en la posición alcanzada, apriete hasta el fondo el tornillo (P).
- Abra manualmente la puerta hasta el punto de apertura deseado, desplace el tope mecánico trasero (Q), colóquelo al lado del carro, Figura 32, y bloquéelo apretando con fuerza el tornillo (R).
- Trate de mover la puerta manualmente. Controle que el carro se deslice fácilmente, sin fricciones sobre la guía y que la maniobra manual sea ágil y que no exija esfuerzos adicionales.
- Coloque el tirador de mando en el punto deseado de la habitación; puede hacerlo pasar por el techo sujetándolo con grapas, véase figura 33.



31



32



33

E

### 3.3) Instalación de los diferentes dispositivos

Instale los demás dispositivos siguiendo las instrucciones correspondientes. Controle en el párrafo "3.5 Descripción de las conexiones eléctricas" y en la figura 2, los dispositivos que pueden conectarse a SPIN.

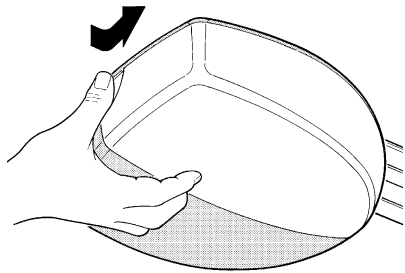
### 3.4) Conexiones eléctricas

**⚠ Todas las conexiones eléctricas deben efectuarse sin tensión en la instalación y, en su caso, con la batería compensadora desconectada**

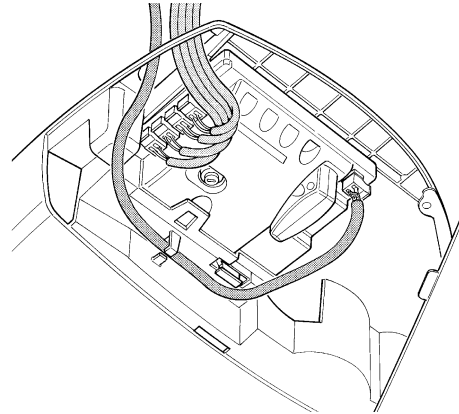
1. Para desmontar la tapa de protección y acceder a la central electrónica de control del SPIN presione al costado y hágala girar como muestra la figura 34.

2. Haga pasar por los agujeros los cables de conexión hasta los demás dispositivos, dejándoles 20-30 cm más largos de lo necesario. Haga pasar el cable de la antena a través del anillo sujetador de cables. Véase la tabla N°6 para el tipo de cable y la figura 2 para las conexiones.

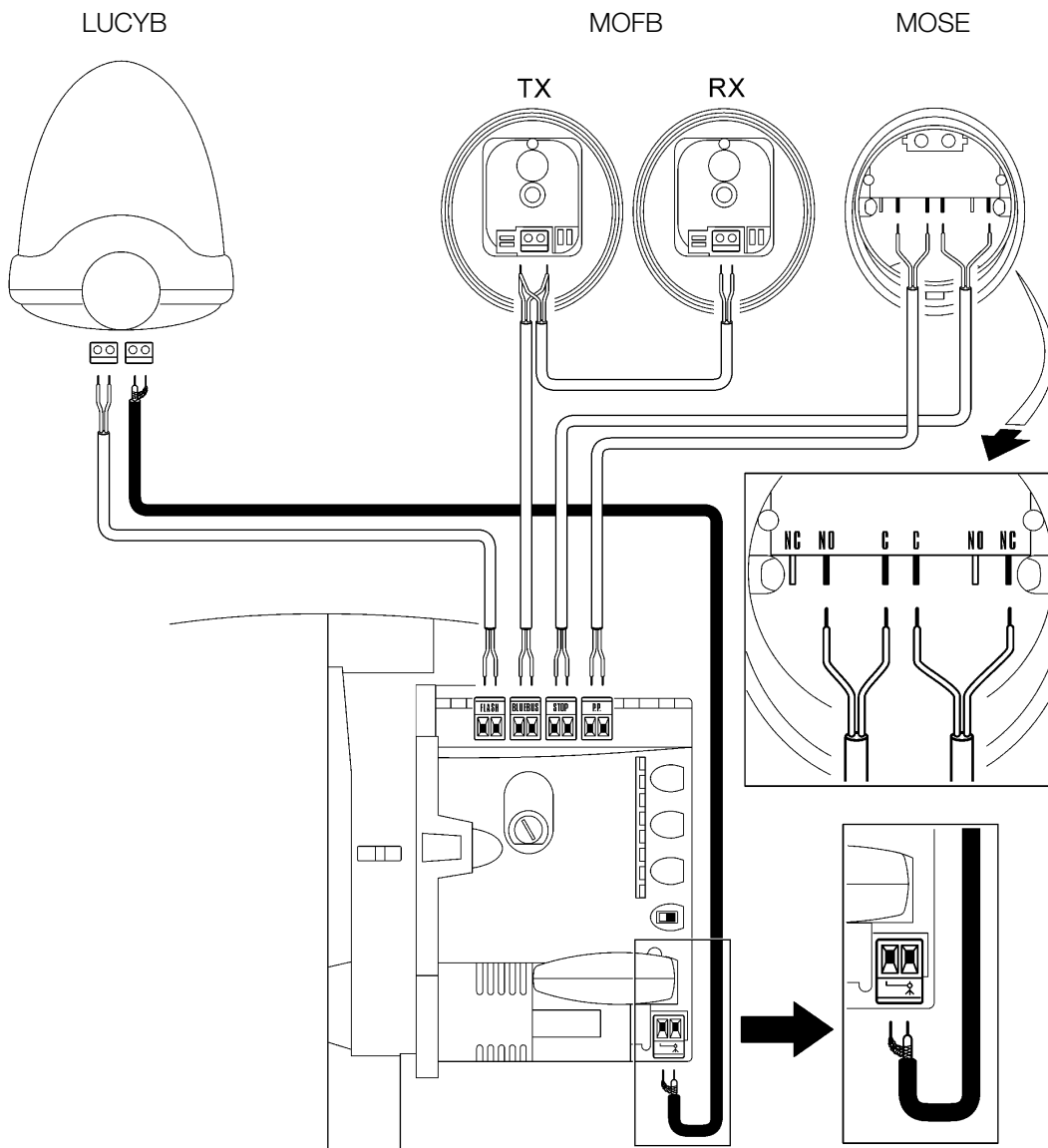
3. Conecte los demás cables según el esquema de la figura 36. Para una mayor comodidad los bornes pueden extraerse.



34



35

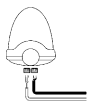


36

### 3.5) Descripción de las conexiones eléctricas

En este párrafo hay una breve descripción de las conexiones eléctricas; otras informaciones en el párrafo "7.3 Instalación y desinstalación de dispositivos".

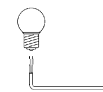
**FLASH:** esta salida puede programarse (véase párrafo 7.2.4) para conectar uno de los siguientes dispositivos:



#### Luz intermitente

Si está programada como "luz intermitente" en la salida "FLASH" es posible conectar una luz intermitente NICE "LUCY B" con una bombilla de 12V 21W tipo automóvil.

Durante la maniobra parpadea con una frecuencia de 0,5s encendida y 0,5s apagada.



#### Salida "Indicador luminoso cancela abierta"

Si está programada como "Indicador luminoso cancela abierta" en la salida "FLASH" es posible conectar un indicador luminoso de 24V máx. 5W para indicar que la puerta está abierta. Queda encendido cuando la puerta está abierta y apagado cuando está cerrada.

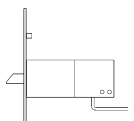
Durante la maniobra el indicador parpadea lentamente para la apertura y rápidamente para el cierre.



#### Ventosa

Si está programada como "Ventosa" en la salida "FLASH" es posible conectar una ventosa de 24V máx. 10W (versiones sólo con electroimán, sin dispositivos electrónicos) Cuando la puerta está cerrada la ventosa se activa bloqueando la puerta.

Durante la maniobra de apertura y cierre se desactiva.



#### Electrobloqueo

Si está programada como "Electrobloqueo" en la salida "FLASH" es posible conectar un electrobloqueo con cerradura de golpe 24V máx. 10W (versiones sólo con electroimán, sin dispositivos electrónicos) Durante la maniobra de apertura el electrobloqueo se activa brevemente para soltar la puerta y cumplir el movimiento. Durante el cierre controle que el electrobloqueo se reenganche mecánicamente.

**⚠ NO UTILICE OTROS DISPOSITIVOS DIFERENTES DE LOS DISPUESTOS**

**BLUEBUS:** en este borne se pueden conectar los dispositivos compatibles; todos los dispositivos se conectan en paralelo con dos conductores solos por los que transitan tanto la alimentación eléctrica como las señales de comunicación. Para más informaciones sobre BlueBUS véase el párrafo "7.3.1 BlueBUS".

**STOP:** entrada para los dispositivos que bloquean o detienen la maniobra que se está ejecutando; con soluciones oportunas pueden conectarse en la entrada contactos tipo "Normalmente Cerrado", "Normalmente Abierto" o dispositivos de resistencia constante. Para más informaciones sobre STOP véase el párrafo "7.3.2 Entrada STOP".

**P.P.:** entrada para dispositivos que controlan el movimiento; es posible conectar contactos tipo "Normalmente Abierto". La activación del tirador de mando provoca una señal en la entrada de PP.

**ANTENNA:** entrada de conexión de la antena para radioreceptor. La antena está incorporada en LUCY B, como alternativa es posible utilizar una antena exterior o dejar el trozo de cable presente en el borne, que funciona como antena.

## 4) Controles finales y puesta en marcha

Antes de comenzar el control y de poner en marcha la automatización, se aconseja desenganchar el carro y colocar la puerta en la mitad de su carrera para que pueda abrirse o cerrarse libremente.

### 4.1) Conexión de la alimentación

Para conectar la alimentación eléctrica al SPIN basta con enchufar su clavija en un tomacorriente. De ser necesario, si la clavija del SPIN no corresponde al tomacorriente disponible, utilice un adaptador de esos que se encuentran generalmente en el comercio.

**⚠ No corte ni quite el cable entregado con el SPIN. Si no estuviera disponible el tomacorriente, la alimentación a SPIN debe ser conectada por personal técnico experto y cualificado, que posea los requisitos exigidos y respetando las normas, leyes y reglamentos.**

**La línea eléctrica de alimentación debe estar protegida de cortocircuitos y dispersiones a tierra; tiene que haber un dispositivo que permita descargar la alimentación durante la instalación o el mantenimiento del SPIN (el mismo enchufe puede servir).**

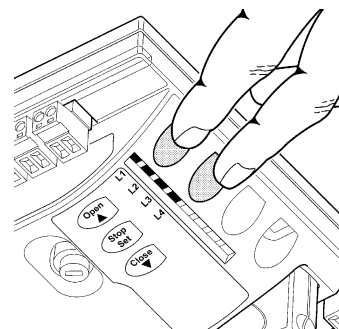
Ni bien se conecta la tensión al SPIN, se aconseja realizar algunos controles sencillos:

1. Controle que el led BLUEBUS destelle regularmente con una frecuencia de un destello por segundo.
2. Controle que también destellen los leds de las fotocélulas (tanto en TX como en RX); no es importante el tipo de destello, que depende de otros factores.
3. Controle que el dispositivo conectado en la salida FLASH esté apagado.
4. Si así no fuera, se aconseja apagar inmediatamente la alimentación de la central y controlar más detenidamente las conexiones eléctricas. Otras informaciones útiles para la búsqueda y el diagnóstico de las averías se encuentran en el párrafo "7.6 Solución de los problemas".

#### 4.2) Aprendizaje de los dispositivos

Después de concluir la conexión de la alimentación, hay que hacer que la central reconozca los dispositivos conectados en las entradas BlueBUS y STOP. Antes de esta etapa, los leds L1 y L2 destellan indicando que se ha de efectuar el aprendizaje de los dispositivos.

**⚠ La fase de aprendizaje de los dispositivos debe ejecutarse aunque no haya ningún dispositivo conectado.**



37

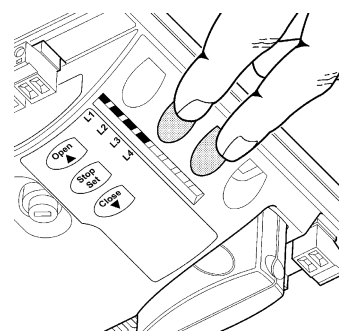
1. Presione y mantenga apretados los botones **[s]** y **[Set]**
2. Suelte los botones cuando los leds L1 y L2 comiencen a destellar rápidamente (después de unos 3s)
3. Espere algunos segundos a que la central concluya el aprendizaje de los dispositivos
4. Al concluir el aprendizaje el led STOP debe quedar encendido, los Leds L1 y L2 se apagarán (podrían comenzar a destellar los leds L3 y L4)

La etapa de aprendizaje de los dispositivos conectados puede repetirse en cualquier momento, incluso después de la instalación, por ejemplo si se añade un dispositivo; para efectuar un nuevo aprendizaje véase el párrafo "7.3.4 Aprendizaje de otros dispositivos".

#### 4.3) Aprendizaje de las posiciones de apertura y cierre de la puerta

Después del aprendizaje de los dispositivos es necesario hacer que la central reconozca las posiciones de apertura y de cierre de la puerta. En esta etapa se mide la carrera de la puerta desde el tope mecánico de cierre hasta aquel de apertura.

Controle que la correa de arrastre esté tensa y que los dos topes mecánicos estén bloqueados.



38

1. Enganche el carro.
2. Presione y mantenga apretados los botones **[t]** e **[Set]**
3. Suelte los botones cuando comience la maniobra (transcurridos unos 3s)
4. Espere a que la central concluya el aprendizaje: cierre, apertura y cierre de la puerta.
5. Jale del tirador de mando para efectuar una maniobra completa de apertura.
6. Jale nuevamente del tirador de mando para efectuar el cierre.

Durante dichas maniobras la central memoriza la fuerza necesaria para los movimientos de apertura y cierre. Si al concluir el aprendizaje los LEDs L3 y L4 destellan, significa que hay un error; véase el párrafo "7.6 Solución de los problemas".

**Es importante que tales maniobras no sean interrumpidas, por ejemplo por un mando STOP, porque de ser así habrá que realizar nuevamente el aprendizaje desde el punto 1.**

La etapa de aprendizaje de las posiciones puede repetirse en cualquier momento, incluso después de la instalación (por ejemplo si se desplaza uno de los topes mecánicos); es suficiente repetirla desde el punto 1.

**⚠ Durante la búsqueda de las posiciones, si la correa no está correctamente tensa, podría patinar del piñón. Si así fuera, interrumpa el aprendizaje presionando el botón [Stop]; tense la correa enroscando la tuerca M8 (D) que se muestra en la Figura 11 y repita el aprendizaje desde el punto 1.**

#### 4.4) Control del movimiento de la puerta

Después del aprendizaje de las posiciones de apertura y cierre se aconseja efectuar algunas maniobras para verificar el movimiento correcto de la puerta.

1. Presione el botón **[Open]** para accionar una maniobra de "Abrir"; controle que la puerta se abra normalmente sin cambios de velocidad; solamente cuando la puerta está entre 30 y 20 cm del tope mecánico de apertura deberá desacelerar y detenerse a 2÷3 cm del tope.
2. Presione el botón **[Close]** para accionar una maniobra de "Cerrar"; controle que la puerta se abra normalmente sin cambios de velocidad; solamente cuando la puerta está entre 30 y 20 cm del tope mecánico de cierre deberá desacelerar y detenerse contra el tope mecánico de cierre. Después sigue una breve maniobra de apertura para descargar la tensión de la correa.
3. Durante las maniobras compruebe que la luz intermitente (en su caso) parpadee con una frecuencia de 0,5s encendida y 0,5s apagada
4. Cumpla varias maniobras de apertura y cierre a fin de observar posibles defectos de montaje y de regulación u otras irregularidades, por ejemplo los puntos con mayor fricción.
5. Controle que la fijación del motorreductor, de la guía y de los topes mecánicos sea firme, estable y adecuadamente resistente también durante las aceleraciones o deceleraciones violentas del movimiento de la puerta.

#### 4.5) Funciones predefinidas

La central de control del SPIN dispone de algunas funciones programables; tales funciones se regulan en fábrica con una configuración que debería satisfacer la mayoría de las automatizaciones; sin embargo, las

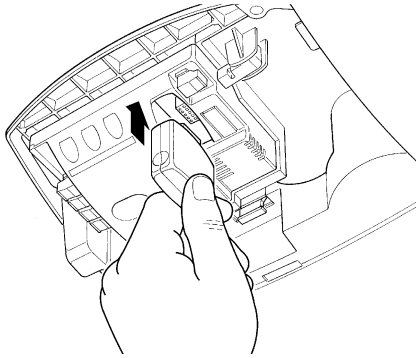
funciones pueden modificarse en cualquier momento mediante un procedimiento de programación oportuno; a tal fin véase el párrafo "7.2 Programaciones".

#### 4.6) Radiorreceptor

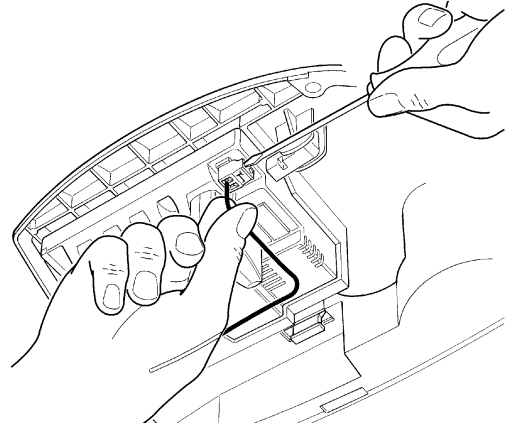
Para el accionamiento a distancia del SPIN, la central de control incorpora el conector SM para radiorreceptores tipo SMXI o SMXIS. En el SPIN20KCE y SPIN21KCE el radiorreceptor ya está conectado.

En los SPIN30, SPIN40, SN6031 y SN6041 para conectar el radiorreceptor siga las instrucciones de las figuras 39 y 40.

1. Conecte el radiorreceptor ejerciendo una ligera presión
2. Si no se utiliza la antena incorporada en LUCYB u otro tipo de antena exterior, enrosque el cable rígido montado en el receptor en el borne de la antena.



39



40

#### 4.6.1) Memorización de los transmisores

Cada transmisor es reconocido por la central a través de un "código" que es diferente del de cualquier otro transmisor. Por tal razón, se requiere una etapa de "memorización" con la que se prepara a la central para que reconozca cada uno de los transmisores. La memorización de los transmisores puede ejecutarse de 2 modos:

**Modo I:** en este modo la función de los botones del transmisor es fija y a cada botón corresponde en la central el mando indicado en la tabla N°7; se lleva a cabo una sola etapa para cada transmisor del que se memorizan todos los botones; durante esta fase no interesa qué botón se tiene presionado y se ocupa un solo espacio en la memoria. Por lo general, en modo I, un transmisor puede accionar un automatismo solo.

**Modo II:** en este modo cada botón del transmisor puede asociarse a uno de los 4 mandos posibles de la central indicados en la tabla N°8; para cada fase se memoriza un botón solo, es decir aquel presionado durante la memorización. En la memoria se ocupa un lugar por cada botón memorizado.

En el modo II los diversos botones del mismo transmisor pueden utilizarse para dar órdenes a la misma automatización o para accionar diversas automatizaciones. Por ejemplo en la tabla N° 9 se acciona sólo la automatización "A" y los botones T3 y T4 están asociados al mismo mando; o bien, en el ejemplo de la tabla N°10 donde se accionan 3 automatizaciones "A" (botones T1 y T2), "B" (botón T3) y "C" (botón T4).

**⚠ Puesto que el procedimiento de memorización cuenta con un tiempo límite de 10s, es necesario leer antes las instrucciones indicadas en los siguientes párrafos y después ejecutarlas.**

**Tabla N°7: memorización Modo I**

Botón T1	Mando "PP"
Botón T2	Mando "Apertura parcial"
Botón T3	Mando "Abrir"
Botón T4	Mando "Cerrar"

Nota: los transmisores monocanal disponen del botón T1 solo, los transmisores bicanal disponen de los botones T1 y T2 solos.

**Tabla N°8: mandos disponibles en Modo II**

1	MANDO "PP"
2	MANDO "APERTURA PARCIAL"
3	MANDO "ABRIR"
4	MANDO "CERRAR"

**Tabla N°9: 1° ejemplo de memorización en Modo II**

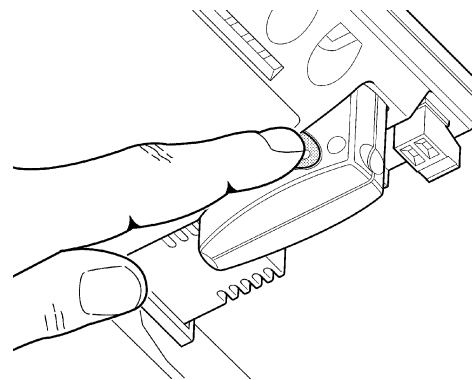
Botón T1	Mando "Abrir"	Automatización A
Botón T2	Mando "Cerrar"	Automatización A
Botón T3	Mando "Apertura parcial"	Automatización A
Botón T4	Mando "Apertura parcial"	Automatización A

**Tabla N°10: 2° ejemplo de memorización en Modo II**

Botón T1	Mando "Abrir"	Automatización A
Botón T2	Mando "Cerrar"	Automatización A
Botón T3	Mando "PP"	Automatización B
Botón T4	Mando "PP"	Automatización C

E

#### 4.6.2) Memorización en Modo I



41

**Tabla n° 11: para memorizar un transmisor en modo I.**

1.	Presione y mantenga presionado el botón en el receptor (durante unos 3s)	3s
2.	Suelte el botón cuando se encienda el led en el receptor	3s
3.	Antes de 10s presione durante 2s cualquier botón del transmisor que se ha de memorizar	2s
4.	Si la memorización se ha ejecutado correctamente, el led en el receptor emitirá 3 destellos.	x3

Si hubiera otros transmisores a memorizar, repita el punto 3 dentro de los 10s siguientes.

La memorización termina automáticamente si durante 10 segundos no se reciben códigos nuevos.

#### 4.6.3) Memorización en Modo II

**Tabla n° 12: para memorizar el botón de un transmisor en modo II.**

		Ejemplo
1.	Presione el botón del receptor una cantidad de veces equivalente al mando deseado, según la tabla N°8	1...4
2.	Controle que el led del receptor emita una cantidad de destellos equivalente al mando deseado	1...4
3.	Antes de 10s, presione durante al menos 2s el botón deseado del transmisor que se ha de memorizar	2s
4.	Si la memorización se ha ejecutado correctamente, el led en el receptor emitirá 3 destellos.	x3

Si hubiera otros transmisores a memorizar para el mismo mando, repita el punto 3 dentro de los 10s siguientes.

La memorización termina automáticamente si durante 10 segundos no se reciben códigos nuevos.

#### 4.6.4) Memorización "a distancia"

Es posible memorizar un nuevo transmisor sin tener que utilizar directamente el botón del receptor; a tal fin es necesario tener un telemando memorizado y que funcione. El nuevo transmisor "heredará" las características del que ya está memorizado; es decir que si el primer transmisor está memorizado en Modo 1, también el nuevo transmisor se memorizará en Modo 1 y se podrá presionar cualesquiera de los botones de los transmisores. Por el contrario, si el primer transmisor está memorizado en Modo II, también el nuevo transmisor se memorizará en Modo II y es importante presionar, en el primer transmisor el botón relativo al mando deseado, y en el segundo transmisor el botón a asociar a ese mando.

**⚠ La memorización a distancia puede realizarse en todos los receptores que se encuentran en el radio de alcance del transmisor y, por eso, es oportuno mantener alimentado sólo aquel que debe memorizarse.**

Con los dos transmisores situados en el radio de acción del automatismo, lleve a cabo los siguientes pasos:

**Tabla N°13: para memorizar un transmisor "a distancia".**

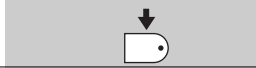


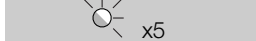
		Ejemplo
1.	Presione durante 5s como mínimo el botón en el nuevo transmisor; después suéltelo.	5s
2.	Presione lentamente 3 veces el botón en el transmisor memorizado.	1s  1s  1s
3.	Presione lentamente 1 vez el botón en el transmisor nuevo.	1s

Ahora el nuevo transmisor será reconocido por el receptor y adquirirá las características que tenía el que ya estaba memorizado.

Si hubiera que memorizar otros transmisores, repita todos los pasos para cada transmisor nuevo.

#### 4.6.5 Borrado de los transmisores

**Tabla N°14: para borrar todos los transmisores**

	<b>Ejemplo</b>
1. Presione y mantenga presionado el botón en el receptor.	
2. Espere a que el led se encienda, se apague y que emita 3 destellos.	
3. Suelte el botón exactamente durante el 3° destello.	
4. Si el procedimiento se concluye correctamente, transcurrido un instante, el led emitirá 5 destellos.	

#### 4.6.6 Declaración de conformidad radioreceptor y radiotransmisor

##### Declaración de conformidad

N°: 151/SMXI

Rev03

Nice S.p.a., Via Pezza Alta 13, 31046 Rustignè di Oderzo (TV) Italia

NICE S.p.a. declara que los receptores modelo SMXI, SMXIS y los transmisores FLO2R-S y SM2 responden a los requisitos esenciales de la Directiva R&TTE 31046, para el uso previsto del aparato. Fabricado en Clase 1, Sub-clase 20

Fecha: 19 Marzo 2004

  
Lauro Buoro (Director)

### 5) Ensayo y puesta en servicio

El ensayo es la etapa más importante en la realización del automatismo a fin de garantizar la máxima seguridad.

El ensayo también puede utilizarse para un control periódico de los dispositivos que componen el automatismo.

**⚠ El ensayo de toda la instalación debe ser efectuado por personal cualificado y experto, que deberá establecer los ensayos previstos de acuerdo con los riesgos presentes, y controlar que se respeten las leyes, normativas y reglamentos, especialmente todos los requisitos de la norma EN 12445 que establece los métodos de ensayo de los automatismos para puertas y portones.**

#### 5.1) Ensayo

Cada componente del automatismo, por ejemplo las bandas sensibles, fotocélulas, parada de emergencia, etc., exige un fase de ensayo específica; por dicha razón se deberán seguir los diferentes procedimientos indicados en los manuales de instrucciones respectivos. Para el ensayo del SPIN lleve a cabo la siguiente secuencia de operaciones:

1. Controle que se respeten estrictamente las indicaciones del capítulo 1 "ADVERTENCIAS".
2. Desbloquee la puerta jalando del tirador de desbloqueo hacia abajo. Controle que sea posible abrir y cerrar manualmente la puerta con una fuerza que no supere 225N
3. Vuelva a enganchar el carro.
4. Utilizando el selector o el transmisor o el tirador de mando, efectúe los ensayos de cierre y apertura de la puerta y controle que el movimiento de la puerta sea el previsto.
5. Conviene efectuar diferentes ensayos para comprobar el deslizamiento de la puerta y los posibles defectos de montaje o de regulación, así como la presencia de puntos de fricción.
6. Controle uno por uno el funcionamiento correcto de todos los dispositivos de seguridad incorporados en la instalación (fotocélulas, bandas sensibles, etc.), especialmente cada vez que un dispositivo se acciona, el led "BlueBUS" en la central debe emitir 2 destellos más rápidos, confirmando que la central reconoce el evento.
7. Para controlar el funcionamiento de las fotocélulas y especialmente para que no haya interferencias con otros dispositivos, pase un cilindro de 5 cm de diámetro y 30 cm de longitud por el eje óptico, primero cerca del TX y después cerca del RX y, por último, por el centro entre los dos y controle que el dispositivo siempre se accione pasando del estado activo al estado de alarma y viceversa; por último, compruebe que provoque en la central la acción prevista, por ejemplo: que en la maniobra de cierre provoque la inversión de movimiento.

8. Si las situaciones peligrosas causadas por el movimiento de la puerta se han prevenido limitando la fuerza de impacto, hay que medir la fuerza de acuerdo con la prescripción de la norma EN 12445. Si la regulación de la "Velocidad" y el control de la "Fuerza del motor" se usan como una ayuda del sistema para reducir la fuerza de impacto, pruebe y busque la regulación que ofrezca los mejores resultados.

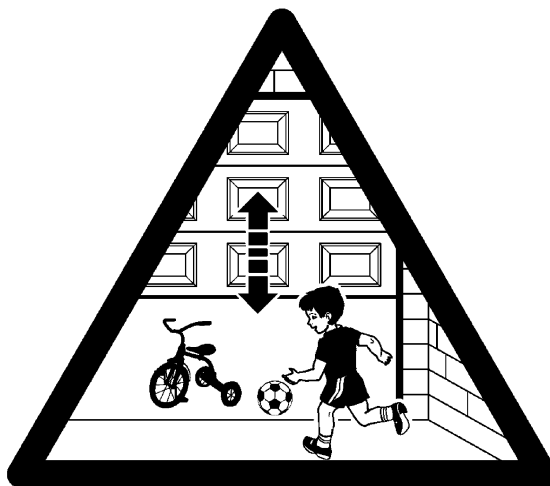


## 5.2) Puesta en servicio

La puesta en servicio puede llevarse a cabo sólo después de haber efectuado correctamente todas las etapas de ensayo del automatismo. No se admite la puesta en servicio parcial o en condiciones "precarias".

1. Realice y conserve durante al menos 10 años el expediente técnico de la automatización que deberá incluir como mínimo: dibujo de conjunto de la automatización, esquema de las conexiones eléctricas, análisis de los riesgos y soluciones adoptadas, declaración de conformidad del fabricante de todos los dispositivos utilizados (para el SPIN utilice la Declaración de conformidad CE adjunta); copia del manual de instrucciones de uso y del plan de mantenimiento del automatismo.
2. Aplique de forma permanente sobre la puerta una etiqueta o una placa que indique las operaciones para el desbloqueo y la maniobra manual (utilice las figuras contenidas en "Instrucciones y advertencias destinadas al usuario del motorreductor SPIN").
3. Aplique de forma permanente sobre la puerta una etiqueta o una placa con esta imagen (altura mínima 60mm).

4. Aplique sobre la puerta una placa con los siguientes datos: tipo de automatización, nombre y dirección del fabricante (responsable de la "puesta en servicio"), número de matrícula, año de fabricación y marcado "CE".
5. Cumplimente y entregue al dueño de la automatización la declaración de conformidad CE de la automatización.
6. Prepare y entregue al dueño el "manual de instrucciones y advertencias para el uso de la automatización".
7. Prepare y entregue al dueño de la automatización el plan de mantenimiento (con las prescripciones sobre el mantenimiento de todos los dispositivos del automatismo).
8. Antes de poner en funcionamiento la automatización, informe adecuadamente y por escrito al dueño (por ejemplo en el manual de instrucciones y advertencias para el uso de la automatización) acerca de los peligros y de los riesgos presentes.



42

## 6) Mantenimiento y desguace

En este capítulo se mencionan las informaciones para efectuar el plan de mantenimiento y el desguace del SPIN.

### 6.1) Mantenimiento

Para mantener el nivel de seguridad constante y para garantizar la duración máxima de toda la automatización, es necesario efectuar un mantenimiento habitual.

**⚠ El mantenimiento debe efectuarse respetando las prescripciones de seguridad de este manual y según las leyes y normativas vigentes.**

Para los demás dispositivos diferentes del SPIN siga las instrucciones mencionadas en los planes de mantenimiento correspondientes.

1. El SPIN requiere un mantenimiento programado antes de transcurridos 6 meses como máximo o 3.000 maniobras a partir del mantenimiento anterior:

2. Desconecte cualquier fuente de alimentación eléctrica, incluidas las baterías compensadoras
3. Compruebe las condiciones de todos los materiales que componen la automatización, controlando especialmente los fenómenos de corrosión y oxidación de las piezas de la estructura; sustituya las piezas que no sean lo suficientemente seguras.
4. Controle el desgaste de las piezas móviles: correa, carro, piñones y todas las piezas de la puerta, sustituya las piezas gastadas.
5. Conecte las fuentes de alimentación eléctrica y ejecute todos los ensayos y controles previstos en el párrafo "5.1 Ensayo".

### 6.2) Desguace

El SPIN está formado de varios tipos de materiales, algunos de los cuales pueden reciclarse; acero, aluminio, plástico, cables eléctricos; otros deberán ser eliminados: baterías y tarjetas electrónicas.

**⚠ Algunos componentes electrónicos y las baterías podrían contener sustancias contaminantes; no los abandone en el medio ambiente. Infórmese sobre los sistemas de reciclaje o eliminación respetando las normas locales vigentes.**

1. Desconecte la alimentación eléctrica de la automatización y la batería compensadora en su caso.
2. Desmonte todos los dispositivos y accesorios, siguiendo el procedimiento en el orden inverso a aquel descrito en el capítulo 3 "Instalación".
3. Separe dentro de lo posible las partes que puedan o deban ser recicladas o eliminadas de otro modo, por ejemplo las piezas metálicas de aquellas de plástico, las tarjetas electrónicas, baterías, etc.
4. Separe y entregue los materiales a las empresas locales autorizadas para la recuperación y eliminación de residuos.



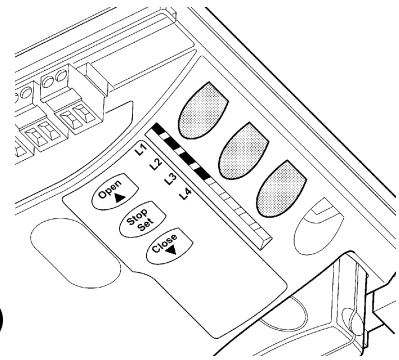
## 7) Otras informaciones

En este capítulo se tratarán las posibilidades de programación, personalización, diagnóstico y búsqueda de las averías en el SPIN.

### 7.1) Botones de programación

En la central de control del SPIN hay 3 botones que pueden utilizarse para el accionamiento de la central durante los ensayos o para las programaciones::

<b>Open</b> s	El botón "OPEN" permite accionar la apertura de la puerta; o desplazar hacia arriba el punto de programación.
<b>Stop</b> <b>Set</b>	El botón "STOP" permite detener la maniobra; al presionarlo durante más de 5 segundos, permite entrar en la programación.
<b>Close</b> t	El botón "CLOSE" permite accionar el cierre de la puerta; o desplazar hacia abajo el punto de programación



43

### 7.2) Programaciones

En la central de control del SPIN hay disponibles algunas funciones programables; las funciones se regulan con los 3 botones situados en la central: [s] [Set] [t] y se visualizan a través de los 4 leds: **L1....L4**.

Las funciones programables disponibles en el SPIN están dispuestas en 2 niveles:

**Primer nivel:** funciones regulables en modo ON-OFF (activo o desactivado); en este caso, cada led **L1....L4** indica una función; si está encendido, la función está activa, si está apagado, la función está desactivada; véase la tabla N°15.

**Segundo nivel:** parámetros regulables en una escala de valores (valores de 1 a 4); en este caso cada led **L1....L4** indica el valor regulado entre los 4 valores posibles; véase la tabla N°17.

#### 7.2.1) Funciones de primer nivel (funciones ON-OFF)


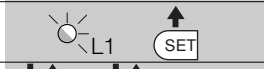



**Tabla N°15: lista de las funciones programables: primer nivel**

Led	Función	Descripción
<b>L1</b>	Cierre automático	Esta función permite un cierre automático de la puerta después del tiempo de pausa programado, de fábrica el Tiempo Pausa está configurado en 20 segundos, pero puede modificarse en 10, 20, 40 y 80 segundos (véase la tabla 17). Si la función está desactivada, el funcionamiento es "semiautomático".
<b>L2</b>	Cerrar Después de Fotocélula	Esta función provoca el "Cierre Automático" con "Tiempo Pausa" de 5 s después de que las fotocélulas quedan descubiertas, aunque el tiempo de pausa esté programado con valores mayores; el comportamiento varía si se activa o desactiva el "Cierre Automático". <b>Con "cierre automático" activo:</b> la maniobra de apertura se detiene inmediatamente después de que las fotocélulas quedan descubiertas y, transcurridos 5 s, comenzará la maniobra de cierre. Si la función "Cerrar después de Foto2" no está activa, el tiempo de pausa será aquel programado. <b>Con "Cierre automático" desactivado:</b> la maniobra de apertura no se interrumpirá, pero al quedar las fotocélulas descubiertas se producirá la activación del "Cierre automático" con "Tiempo Pausa" de 5s. Si la función "Cerrar después de Foto2" está desactivada, no se ejecutará el cierre automático.
<b>L3</b>	Fuerza motor	Dicha función permite escoger la sensibilidad del control de fuerza del motor para adecuarla al tipo de puerta. Si dicha función está activa, la sensibilidad es más adecuada para puertas de dimensiones más pequeñas y ligeras. Si dicha función está desactivada, la sensibilidad es más adecuada para puertas de tamaño grande y pesadas.
<b>L4</b>	Stand-By	Esta función permite reducir al máximo los consumos; es útil durante el funcionamiento con la batería compensadora. Si esta función está activa, después de 1 minuto del final de la maniobra, la central apaga la salida BlueBUS (y por tanto los dispositivos) y todos los leds, salvo el led BlueBUS que destellará más lentamente. Cuando llegue un mando, la central reanudará el funcionamiento. Si la función está desactivada, los consumos no disminuirán.

Durante el funcionamiento normal del SPIN los leds **L1....L4** están encendidos o apagados de acuerdo con el estado de la función que estos representan, por ejemplo **L1** está encendido si la función "Cierre automático" está activa.

### 7.2.2 Programación de primer nivel (funciones ON-OFF)

Todas las funciones del primer nivel están configuradas de fábrica en "OFF", pero pueden cambiarse en cualquier momento, tal como indicado en la tabla N°16. Tenga cuidado al efectuar este procedimiento porque hay un tiempo máximo de 10s entre que se presiona un botón y el otro, en caso contrario, el procedimiento termina automáticamente, memorizando las modificaciones hechas hasta ese momento.

Tabla N°16: para cambiar las funciones ON-OFF		Ejemplo
1.	Presione y mantenga presionado el botón <b>[Set]</b> durante unos 3s	
2.	Suelte el botón <b>[Set]</b> cuando el led L1 empiece a destellar	
3.	Presione los botones <b>[s]</b> o <b>[t]</b> para pasar del led intermitente al led que representa la función a modificar	
4.	Presione el botón <b>[Set]</b> para cambiar el estado de la función (destello breve = OFF; destello prolongado = ON)	
5.	Espere 10s para salir de la programación por conclusión del tiempo máximo.	

Nota: los puntos 3 y 4 pueden repetirse durante la misma etapa de programación para colocar en ON u OFF las demás funciones

### 7.2.3 Funciones de segundo nivel (parámetros regulables)

Tabla N°17: lista de las funciones programables: segundo nivel				
Led de entrada	Parámetro	Led (nivel)	valor	Descripción
L1	Tiempo Pausa	L1	10 segundos	Regula el tiempo de pausa, es decir el tiempo antes del cierre automático. Tiene efecto sólo si el cierre automático está activo
		L2	20 segundos	
		L3	40 segundos	
		L4	80 segundos	
L2	Función P.P.	L1	Abrir - stop - cerrar - stop	Regula la secuencia de mandos asociados a la entrada P.P. o al 1° mando por radio (véanse las tablas 7 y 8).
		L2	Abrir - stop - cerrar - abrir	
		L3	Comunitario	
		L4	Hombre muerto	
L3	Velocidad del Motor	L1	Muy lenta	Regula la velocidad del motor durante la carrera normal.
		L2	Lenta	
		L3	Media	
		L4	Rápida	
L4	Salida FLASH	L1	Indicador luminoso Cancela Abierta	Indicador luminoso Cancela Abierta Selección el dispositivo conectado en la salida FLASH.
		L2	Luz intermitente	
		L3	Electrobloqueo	
		L4	Ventosa	


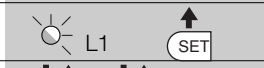
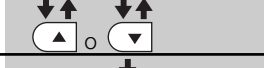

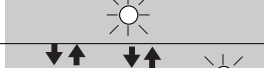



Nota: "■" representa la regulación de fábrica

Todos los parámetros pueden regularse sin ninguna contraindicación; sólo la selección del dispositivo conectado a la salida "FLASH" exige ciertas precauciones:

**⚠ Antes de conectar el dispositivo en la salida "FLASH" asegúrese de haber programado la función correcta. Por el contrario existe el riesgo de averiar el dispositivo.**

### 7.2.4 Programación de segundo nivel (parámetros regulables)


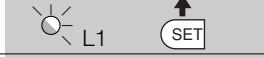




Los parámetros regulables se configuran en fábrica como se muestra en la tabla N° 17 con: "■" pero pueden cambiarse en cualquier momento, tal como indicado en la tabla N° 18. Tenga cuidado al efectuar este procedimiento porque hay un tiempo máximo de 10s entre que se presiona un botón y el otro, por el contrario, el procedimiento termina automáticamente, memorizando las modificaciones hechas hasta ese momento.

Tabla N°18: para cambiar los parámetros regulables		Ejemplo
1.	Presione y mantenga presionado el botón <b>[Set]</b> durante unos 3s	
2.	Suelte el botón <b>[Set]</b> cuando el led L1 empiece a destellar	
3.	Presione los botones <b>[s]</b> o <b>[t]</b> para pasar del led intermitente al "led de entrada" que representa el parámetro a modificar	
4.	Presione y mantenga presionado el botón <b>[Set]</b> , el botón <b>[Set]</b> debe mantenerse presionado durante los pasos 5 y 6	
5.	Espere alrededor de 3s, después se encenderá el led que representa el nivel actual del parámetro a modificar	
6.	Presione los botones <b>[s]</b> o <b>[t]</b> para desplazar el led que representa el valor del parámetro.	
7.	Suelte el botón <b>[Set]</b>	
8.	Espere 10s para salir de la programación por conclusión del tiempo máximo.	

Nota: los puntos de 3 a 7 pueden repetirse durante la misma etapa de programación para regular varios parámetros

### 7.2.5 Ejemplo de programación de primer nivel (funciones ON-OFF)


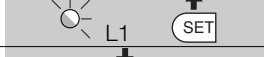









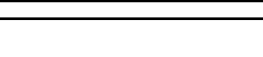
Como ejemplo se menciona la secuencia de operaciones para modificar la configuración de fábrica de las funciones para activar las funciones de "Cierre Automático" (L1) y "Fuerza motor" (L3).

Tabla N°19: ejemplo de programación del primer nivel	Ejemplo
1. Presione y mantenga presionado el botón <b>[Set]</b> durante unos 3s	
2. Suelte el botón <b>[Set]</b> cuando el led L1 empiece a destellar	
3. Presione una vez el botón <b>[Set]</b> para modificar el estado de la función asociada al L1 (Cierre Automático); ahora el led L1 destella con un destello prolongado	
4. Presione 2 veces el botón <b>[t]</b> para pasar el led intermitente al led L3	
5. Presione una vez el botón <b>[Set]</b> para modificar el estado de la función asociada a L3 (Fuerza Motor); ahora el led L3 destella con un destello prolongado	
6. Espere 10s para salir de la programación por conclusión del tiempo máximo.	

Al final de estas operaciones los leds L1 y L3 deben quedar encendidos, indicando que están activas las funciones "Cierre Automático" y "Fuerza motor".

### 7.2.6 Ejemplo de programación de segundo nivel (parámetros regulables)

Como ejemplo se menciona la secuencia de operaciones para modificar la configuración de fábrica de los parámetros y aumentar el "Tiempo Pausa" a 80s (entrada en L1 y nivel en L4) y seleccionar para la "Salida FLASH" el Indicador Luminoso Cancela Abierta (entrada en L4 y nivel en L1).

Tabla N°20: ejemplo de programación de segundo nivel	Ejemplo
1. Presione y mantenga presionado el botón <b>[Set]</b> durante unos 3s	
2. Suelte el botón <b>[Set]</b> cuando el led L1 empiece a destellar	
3. Presione y mantenga presionado el botón <b>[Set]</b> ; el botón <b>[Set]</b> vdebe mantenerse presionado durante todos los pasos 4 y 5	
4. Espere alrededor de 3s hasta que se encienda el led L2 que representa el nivel actual del "Tiempo Pausa"	
5. Presione 2 veces el botón <b>[t]</b> para desplazar el led encendido en L4 que representa el nuevo valor del "Tiempo Pausa"	
6. Suelte el botón <b>[Set]</b>	
7. Presione 3 veces el botón <b>[t]</b> para pasar el led intermitente al led L4	
8. Presione y mantenga presionado el botón <b>[Set]</b> ; el botón <b>[Set]</b> debe mantenerse presionado durante todos los pasos 9 y 10	
9. Espere unos 3s hasta que se encienda el led L2 que representa el dispositivo actual asociado a la "Salida FLASH", es decir la luz intermitente.	
10. Presione 1 vez el botón <b>[s]</b> para desplazar el led encendido en L1 que representa el nuevo dispositivo asociado a la "Salida FLASH", es decir el Indicador Luminoso Cancela Abierta.	
11. Suelte el botón <b>[Set]</b>	
12. Espere 10s para salir de la programación por conclusión del tiempo máximo.	

### 7.3) Instalación o desinstalación de dispositivos

A una automatización que incorpora el SPIN es posible instalarle o desinstalarle dispositivos en cualquier momento. En particular, a "BlueBUS" y a la entrada "STOP" se le pueden conectar varios tipos

de dispositivos, tal como indicado en los párrafos "7.3.1 BlueBUS" y "7.3.2 Entrada STOP".

#### 7.3.1) BlueBUS

BlueBUS es una técnica que permite efectuar las conexiones de los dispositivos compatibles con dos conductores solos, sobre los cuales transitan tanto la alimentación eléctrica como las señales de comunicación. Todos los dispositivos se conectan en paralelo en los mismos 2 conductores del BlueBUS y sin tener que respetar ninguna polaridad; cada dispositivo es reconocido individualmente puesto que durante la instalación se le asigna una dirección unívoca. En BlueBUS se pueden conectar, por ejemplo: fotocélulas, dispositivos de seguridad, botones de mando, indicadores luminosos de señali

zación, etc. La central de control del SPIN, mediante una etapa de aprendizaje, reconoce uno a uno todos los dispositivos conectados y es capaz de detectar con extrema seguridad todos los posibles desperfectos. Por dicho motivo, cada vez que se instala o desinstala un dispositivo conectado a BlueBUS, habrá que hacer que la central ejecute el aprendizaje como descrito en el párrafo "7.3.4 Aprendizaje de otros dispositivos".

### 7.3.2) Entrada STOP

STOP es la entrada que provoca la parada inmediata de la maniobra seguida de una breve inversión. En esta entrada se pueden conectar los dispositivos con salida con contacto normalmente abierto "NA", normalmente cerrado "NC" o dispositivos con salida de resistencia constante 8,2kΩ, por ejemplo bandas sensibles.

Al igual que para el BlueBUS, la central reconoce el tipo de dispositivo conectado en la entrada STOP durante la etapa de aprendizaje (véase el párrafo "7.3.4 Aprendizaje de otros dispositivos"); posteriormente, se provoca un STOP cuando se produce cualquier variación respecto del estado memorizado.

Con algunas soluciones oportunas es posible conectar varios dispositivos en la entrada STOP, incluso de diferentes tipos:

- Varios dispositivos NA pueden conectarse en paralelo entre sí sin límites de cantidad.
- Varios dispositivos NC pueden conectarse en serie entre sí sin límites de cantidad.

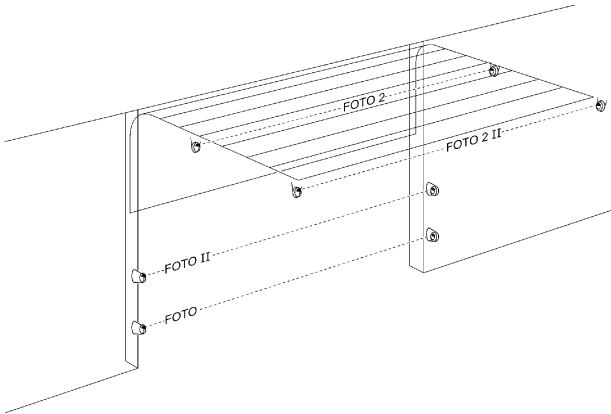
- Dos dispositivos con salida de resistencia constante 8,2kΩ pueden conectarse en paralelo; si hubiera más de 2 dispositivos, entonces todos deben conectarse "en cascada" con una sola resistencia de terminación de 8,2kΩ
- La combinación NA y NC puede efectuarse colocando los 2 contactos en paralelo con la precaución de colocar, en serie al contacto NC, una resistencia de 8,2kΩ (esto permite también la combinación de 3 dispositivos: NA, NC y 8,2kΩ).

**⚠ Si la entrada STOP se usa para conectar los dispositivos con funciones de seguridad, sólo los dispositivos con salida con resistencia constante 8,2kΩ garantizan la categoría de seguridad 3 contra las averías, según la norma EN 954-1.**

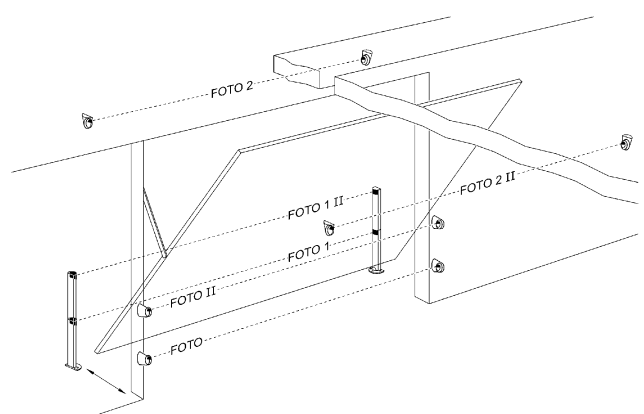
### 7.3.3) Fococélulas

El sistema "BlueBUS" permite, mediante el direccionamiento con los puentes correspondientes, que la central reconozca las fotocélulas, y asignarles la función correcta de detección. La operación de direccionamiento se realiza tanto en el TX como en el RX (colocando los puentes de conexión de la misma manera), comprobando que no haya otros pares de fotocélulas con la misma dirección. En una automatización para puertas seccionales o basculantes no desbordantes es posible instalar las fotocélulas según lo representado en la figura 44. Para una automatización con puertas basculantes desbordantes véase la figura 45. Foto 2 y Foto 2II se emplean en

instalaciones especiales que exigen la protección completa del automatismo, incluso durante la apertura. Después de la instalación o del desmontaje de las fotocélulas, en la central habrá que ejecutar la etapa de aprendizaje, tal como descrito en el párrafo "7.3.4. Aprendizaje de otros dispositivos".



44



45

**Tabla N° 21: direcciones de las fotocélulas**

Fotocélula	Puentes	Fotocélula	Puentes
<b>FOTO</b> Fotocélula h = 50 con activación durante el cierre		<b>FOTO 2</b> Fotocélula con activación durante la apertura	
<b>FOTO II</b> Fotocélula h = 100 con activación durante el cierre		<b>FOTO 2 II</b> Fotocélula con activación durante la apertura	
<b>FOTO 1</b> Fotocélula h = 50 con activación tanto durante el cierre como durante la apertura		<b>FOTO 3</b> <b>CONFIGURACIÓN NO ADMITIDA</b>	
<b>FOTO 1 II</b> II Fotocélula h=100 cm con activación tanto durante el cierre como durante la apertura			




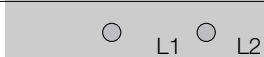
**⚠ En SN6021 la salida BlueBus tiene una carga máxima de 2 unidades.**

**En SN6031 y SN6041 la carga máxima es de 6 unidades; un par de fotocélulas absorbe una potencia equivalente a 1 unidad BlueBUS.**

### 7.3.4) Aprendizaje de otros dispositivos

Normalmente, la operación de aprendizaje de los dispositivos conectados al BlueBUS y a la entrada STOP se ejecuta durante la instalación; sin embargo, si se instalan o desinstalan dispositivos, es posible realizar nuevamente el aprendizaje de la siguiente manera:

**Tabla N° 22: para el aprendizaje de otros dispositivos**

	<b>Ejemplo</b>
1. Presione y mantenga apretados los botones [s] e [Set]	
2. Suelte los botones cuando los leds L1 y L2 empiezan a destellar muy rápidamente (después de unos 3s)	
3. Espere algunos segundos para que la central concluya el aprendizaje de los dispositivos	
4. Al concluir el aprendizaje, los leds L1 y L2 dejarán de destellar, el led STOP deberá quedar encendido, mientras que los leds L1...L4 se deberán encender según el estado de las funciones ON-OFF que representan.	

**⚠ Después de haber instalado o desinstalado los dispositivos es necesario realizar nuevamente el ensayo del automatismo de acuerdo con las indicaciones del párrafo “5.1 Ensayo”.**

## 7.4) Funciones especiales

### 7.4.1) Función “Abrir siempre”

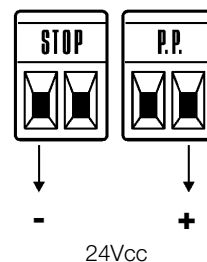
La función “Abrir siempre” es una característica de la central de control que permite accionar siempre una maniobra de apertura cuando el mando de “Paso a Paso” dura más de 3 segundos; esto es útil, por ejemplo, para conectar en el borne P.P. el contacto de un reloj programador para mantener abierta la puerta durante una cierta franja horaria. Dicha característica es válida cualquiera sea la programación de la entrada de P.P. (véase el parámetro “Función P.P.” en la tabla N° 17).

### 7.4.2) Función “Mover Iguualmente”

Si algún dispositivo de seguridad no funcionara correctamente o debiera ponerse fuera de uso, es posible igualmente accionar o mover la puerta en modo “Hombre muerto”. Para mayores detalles, véase el párrafo “Accionamiento con dispositivos de seguridad fuera de uso” en el anexo “Instrucciones y advertencias destinadas al usuario del motorreductor SPIN”.

## 7.5 Conexión de otros dispositivos

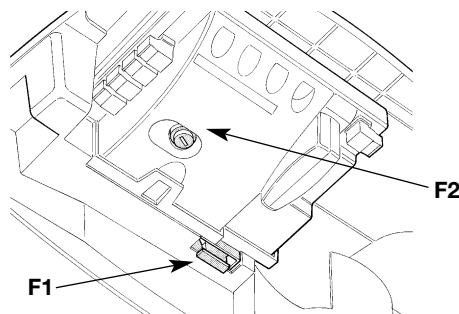
Si hubiera que alimentar algún dispositivo exterior, por ejemplo un lector de proximidad para tarjetas por transponder o bien la luz de iluminación del selector de llave, es posible tomar la alimentación tal como indicado en la figura 46. La tensión de alimentación es 24Vcc - 30% +50% con corriente máxima disponible de 100 mA -24Vcc +.



46

## 7.6) Solución de los problemas

En la siguiente tabla se pueden encontrar indicaciones útiles para solucionar problemas de funcionamiento, que podrían producirse durante la instalación, o por una avería del sistema.



47

**Tabla N°23: búsqueda de las averías**

SÍNTOMAS	PROBABLE CAUSA Y POSIBLE SOLUCIÓN
El transmisor no acciona la puerta y el led en el transmisor no se enciende	Controle que las pilas estén cargadas; de ser necesario, sustitúyalas.
El transmisor no acciona la puerta pero el led en el transmisor se enciende	Controle que el transmisor esté memorizado correctamente en el receptor.
No se acciona ninguna maniobra y el led "Blue-BUS" no destella	Controle que el SPIN esté alimentado con la tensión de red 230V. Controle que los fusibles F1 y F2 no se hayan quemado; si así fuera, controle la causa de la avería y sustitúyalos con otros con las mismas características y del mismo valor de corriente.
No se acciona ninguna maniobra y la luz intermitente está apagada	Controle que el mando sea recibido efectivamente. Si el mando llega a la entrada PP, el led "PP" debe encenderse; por el contrario, si se utiliza el transmisor, el led "Blue-bus" debe emitir dos destellos rápidos.
No arranca ninguna maniobra y la luz de cortesía destella algunas veces	Cuente la cantidad de destellos y controle según lo indicado en la tabla N°24
La maniobra arranca pero inmediatamente después se produce la inversión	La fuerza seleccionada podría ser muy baja para el tipo de puerta. Controle que no haya obstáculos y, de ser necesario, seleccione una fuerza superior.
La maniobra se ejecuta normalmente pero el dispositivo conectado a la salida FLASH no funciona	Controle que el dispositivo conectado a la salida "FLASH" esté efectivamente programado. Controle que cuando el dispositivo deba estar alimentado haya tensión en el borne del dispositivos; si hubiera tensión, el problema es que habrá que sustituir el dispositivo con uno con las mismas características. Si no hubiera tensión, se podría haber producido una sobrecarga eléctrica en la salida FLASH, controle que no haya cortocircuitos en el cable.

## 7.7) Diagnóstico y señalizaciones

Algunos dispositivos ofrecen directamente señales especiales a través de las que se puede reconocer el estado de funcionamiento o un posible desperfecto.

### 7.7.1) Señalización con luz intermitente y luz de cortesía

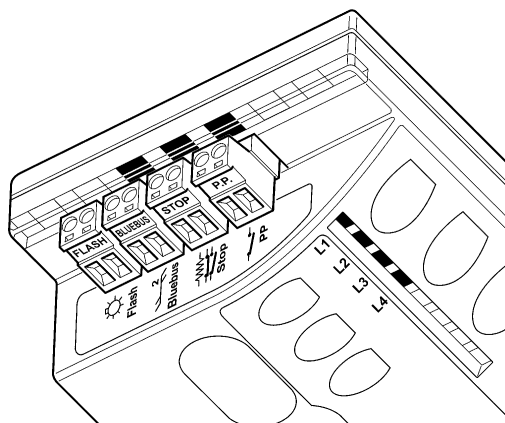
Si la salida FLASH está programada y se conecta una luz intermitente, durante la maniobra la luz intermitente destella una vez por segundo; cuando se produce algún desperfecto, la luz intermitente emite destellos más breves; los destellos se repiten dos veces, separados por una pausa de un segundo. Las mismas señales de diagnóstico son reiteradas por la luz de cortesía.

**Tabla N° 24: señales en la luz intermitente FLASH**

Destellos rápidos	Causa	ACCIÓN
1 destello pausa de 1 segundo 1 destello	Error en el BlueBUS	En el comienzo de la maniobra, el control de los dispositivos conectados a BLUE-BUS no corresponde a aquellos memorizados durante el aprendizaje. Es posible que haya dispositivos averiados; controle y sustituya; si se han efectuado modificaciones, hay que volver a repetir el aprendizaje (7.3.4 Aprendizaje de otros dispositivos).
2 destellos pausa de 1 segundo 2 destellos	Activación de una fotocélula	En el comienzo de la maniobra una o varias fotocélulas no dan el asenso para el movimiento; controle que no haya obstáculos. Durante el movimiento es normal si efectivamente hay un obstáculo.
3 destellos pausa de 1 segundo 3 destellos	Activación del limitador de la "Fuerza Motor"	Durante el movimiento, la puerta encontró un punto de mayor fricción; controle el motivo
4 destellos pausa de 1 segundo 4 destellos	En el comienzo de la maniobra STOP	O durante el movimiento se ha activado la entrada de STOP; controle el motivo.
5 destellos pausa de 1 segundo 5 destellos	Error en los parámetros internos de la central electrónica.	Espere 30 segundos como mínimo y pruebe a accionar un mando; si el estado persiste, podría haber una avería grave y habrá que sustituir la tarjeta electrónica.
6 destellos pausa de 1 segundo 6 destellos	Se ha superado el límite máximo de maniobras por hora	Espere algunos minutos para que el limitador de maniobras retorne por debajo del límite máximo
7 destellos pausa de 1 segundo 7 destellos	Error en los circuitos eléctricos internos	Desconecte todos los circuitos de alimentación durante algunos segundos y pruebe a accionar un mando; si el estado persiste, podría haber una avería grave en la tarjeta o en el cableado del motor. Controle y sustituya en su caso.

### 7.7.2) Señalizaciones en la central

En la central del SPIN hay una serie de LEDs y cada uno de ellos puede dar señales especiales durante el funcionamiento normal o en caso de desperfecto.



48

**Tabla N°25: leds en los bornes de la central**

Led BLUEBUS	Causa	ACCIÓN
Apagado	Desperfecto	Controle si hay alimentación; controle que los fusibles no se hayan quemado; si así fuera, controle la causa de la avería y sustitúyalos con otros del mismo valor de corriente.
Encendido	Desperfecto grave	Hay un desperfecto grave; pruebe a apagar durante algunos segundos la central; si el estado continúa, significa que hay una avería y hay que sustituir la tarjeta electrónica.
Un destello por segundo	Todo OK	Funcionamiento normal de la central
2 destellos rápidos	Se ha producido una variación del estado de las entradas	Es normal cuando se produce un cambio de una de las entradas. OPEN, STOP, activación de las fotocélulas o si se utiliza el transmisor
Serie de destellos separados por una pausa de un segundo	Varias	Es la misma señal que emite la luz intermitente o la luz de cortesía. Véase la Tabla N°24
Led STOP	Causa	ACCIÓN
Apagado	Activación de la entrada de STOP	Controle los dispositivos conectados en la entrada STOP.
Encendido	Todo OK	Entrada STOP activa
Led P.P.	Causa	ACCIÓN
Apagado	Todo OK	Entrada PP desactivada
Encendido	Activación de la entrada de PP	Es normal si está activo efectivamente el dispositivo conectado a la entrada PP

**Tabla N°26: leds en los botones de la central**

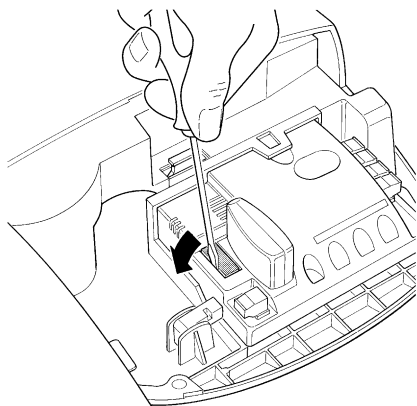
Led L1	Descripción
Apagado	Durante el funcionamiento normal indica "Cierre automático" desactivado
Encendido	Durante el funcionamiento normal indica "Cierre automático" activo
Destella	<ul style="list-style-type: none"> <li>Programación de las funciones ejecutándose</li> <li>Si destella junto con L2 indica que es necesario ejecutar el aprendizaje de los dispositivos (véase el párrafo "4.2 Aprendizaje de los dispositivos").</li> </ul>
Led L2	Descripción
Apagado	Durante el funcionamiento normal indica "Cerrar después Fotocélula" desactivado
Encendido	Durante el funcionamiento normal indica "Cerrar después de Fotocélula" activo
Destella	<ul style="list-style-type: none"> <li>Programación de las funciones ejecutándose</li> <li>Si destella junto con L1 indica que es necesario ejecutar el aprendizaje de los dispositivos (véase el párrafo "4.2 Aprendizaje de los dispositivos").</li> </ul>
Led L3	Descripción
Apagado	Durante el funcionamiento normal indica "Fuerza Motor" para puertas "pesadas".
Encendido	Durante el funcionamiento normal indica "Fuerza Motor" para puertas "ligeras".
Destella	<ul style="list-style-type: none"> <li>Programación de las funciones ejecutándose</li> <li>Si destella junto con L4 indica que es necesario ejecutar el aprendizaje de la posición de apertura y cierre de la puerta (véase el párrafo "4.3 Aprendizaje de las posiciones de apertura y cierre de la puerta").</li> </ul>
Led L4	Descripción
Apagado	Durante el funcionamiento normal indica "Stand-by" desactivado
Encendido	Durante el funcionamiento normal indica "Stand-By" activo.
Destella	<ul style="list-style-type: none"> <li>Programación de las funciones ejecutándose</li> <li>Si destella junto con L3 indica que es necesario ejecutar el aprendizaje de la longitud de la puerta (véase el párrafo "4.3 Aprendizaje de las posiciones de apertura y cierre de la puerta").</li> </ul>

## 7.8) Accesorios

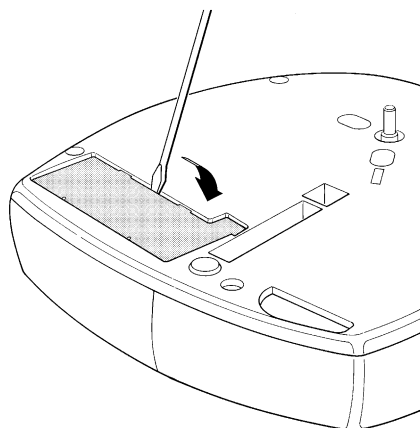
Para el SPIN hay disponibles los siguientes accesorios opcionales. Consulte el catálogo de los productos de Nice S.p.a. para la lista completa y actualizada de los accesorios.

### Para SN6031 y SN6041

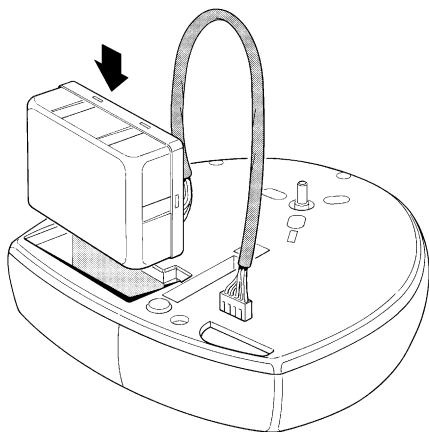
- PS124 Batería compensadora 24V - 1,2Ah con cargador de batería incorporado



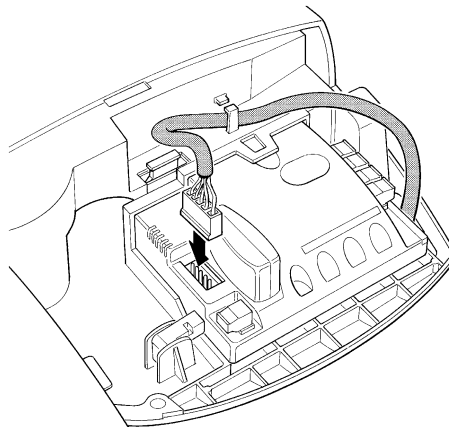
49



50



51



52

### Para SN6031 y SN6041

- SMXI o SMXIS Receptor a 433,92MHz con codificación digital Rolling Code.

### Para SN6031

- SNA5 Guía de perfil único de 3m de acero galvanizado. Transmisión por correa con 4 refuerzos de acero.

### Para SN6031 y SN6041

- SNA6 Guía de 2 perfiles de 4 m (3m + 1m) de acero cincado. Transmisión por correa con 6 refuerzos de acero

### Para todos

- SPA2 Desbloqueo mecánico con tirador metálico. A utilizar en las instalaciones que prevén solamente la puerta a automatizar como punto de acceso.

### Para todos

- SPA5 Brazo oscilante. Es necesario cuando la puerta a automatizar es basculante, tanto con contrapesos como con muelles.



## 8) Características técnicas

Nice S.p.a., a fin de mejorar sus productos, se reserva el derecho de modificar las características técnicas en cualquier momento y sin previo aviso, garantizando la funcionalidad y el uso previstos.

Todas las características técnicas indicadas se refieren a una temperatura ambiente de 20°C (±5°C)

<b>Características técnicas: SPIN</b>			
<b>Modelo tipo</b>	<b>SN6021</b>	<b>SN6031</b>	<b>SN6041</b>
Tipo	Motorreductor electromecánico para el movimiento automático de puertas de garaje para uso residencial con central electrónica de control.		
Piñón	Diámetro 9.5mm, 28 dientes; para guías SNA5, SNA6 y guías suministradas con SPIN20KCE, SPIN30 y SPIN40		
Par máximo en el punto de arranque [correspondiente a la capacidad de desarrollar una fuerza para poner en movimiento la puerta]	11.7Nm [650N]	11.7Nm [650N]	18Nm [1000N]
Par nominal [correspondiente a la capacidad de desarrollar una fuerza para mantener en movimiento la puerta]	5.85Nm [345N]	5.85Nm [345N]	9Nm [560N]
Velocidad en vacío [correspondientes a] si está programada la velocidad "Rápida"	106 rpm [0,20m/s] La central permite programar 4 velocidades equivalentes a 100% - 85% - 70% - 55% aprox.		
Velocidad al par nominal [correspondiente a] si está programada la velocidad "Rápida"	53 rpm [0,08m/s]		
Frecuencia máxima de los ciclos de funcionamiento	50 ciclos / día (la central limita los ciclos al máximo previsto en las tablas N°4 y N°5)		
Tiempo máximo de funcionamiento continuo	3 minutos (la central limita el funcionamiento continuo al máximo previsto en las tablas N°4 y N°5)		
Límites de utilización	Generalmente, el SPIN es capaz de automatizar puertas seccionales o basculantes, con los tamaños indicados en la tabla 3 y según los límites indicados en las tablas N°4 y N°5.		
Alimentación SPIN	230Vac (±10%) 50/60Hz.		
Alimentación SPIN/V1	120Vac (±10%) 50/60Hz.		
Potencia máxima absorbida	250W	250W	370W
Reducción consumo en Stand-By	---	Menor que 2,2W	Menor que 2,5W
Clase de aislamiento	1 (es necesaria la puesta a tierra de seguridad)		
Alimentación de emergencia	---	Con accesorio PS124	Con accesorio PS124
Luz de cortesía SPIN	12V-21W conexión BA15	230V-60W conexión E27	230V-60W conexión E27
Luz de cortesía SPIN/V1	12V-21W conexión BA15	120V-60W conexión E27	120V-60W conexión E27
Salida FLASH	Si está programada con "SPA": para una bombilla de 24V-5W máximo Si está programada como "Intermitente": para 1 luz intermitente LUCYB (12V, 21W) Si está programada como "Electrobloqueo": para electrobloqueo electromecánico 24V- 10W máximo Si está programada como "Ventosa" para ventosa electromecánica 24V- 10W máximo		
Carga máxima de salida BLUEBUS	2	6	6
Entrada STOP	Para contactos normalmente cerrados, normalmente abiertos o para resistencia constante 8,2KΩ; en autoaprendizaje (una variación respecto del estado memorizado provoca el mando "STOP")		
Entrada PP	Para contactos normalmente abiertos (el cierre del contacto provoca el mando PP)		
Entrada ANTENA Radio	52Ω para cable tipo RG58 o similar		
Receptor	Conector "SM" para receptores tipo SMXI o SMXIS		
Funciones programables	4 funciones de tipo ON-OFF y 4 funciones regulables (véanse las tablas N° 15 y N° 17)		
Funciones de autoaprendizaje	Autoaprendizaje de los dispositivos conectados a la salida BlueBUS Autoaprendizaje del tipo de dispositivo de "STOP" (contacto NA, NC o resistencia 8,2KΩ) Autoaprendizaje de las posiciones de apertura y cierre de la puerta y cálculo de los puntos de deceleración y apertura parcial.		
Temperatura de trabajo	-20°C ÷ 50°C		
Empleo en atmósfera ácida, salobre o con riesgo de explosión	No		
Grado de protección	IP 40 (uso únicamente en ambientes interiores o protegidos)		
Medidas y peso	311x327 h 105 / 3,6Kg		311x327 h 105 / 4,7Kg



### Características técnicas de las guías

Modelo tipo	Guía entregada con SPIN20KCE e SPIN30	Guía entregada con SPIN40	SNA5	SNA6
Tipo	perfil en 3 piezas de acero cincado		perfil único en acero cincado	perfil en 2 piezas en acero cincado
Longitud de la guía	3.15m	3.15m	3.15m	4.15m
Altura de la guía	35mm	35mm	35mm	35mm
Carrera útil	2.5m	2.5m	2.5m	3.5m
Longitud de la guía	6m	6m	6m	8m
Altura de la guía	6mm	10mm	6mm	10mm
Resistencia a la tracción	730N	1220N	730N	1220N

Características técnicas	receptor: SMXI	receptor: SMXIS
Tipo	Receptor de 4 canales para radiomando	
Frecuencia	433.92MHz	
Codificación	Digital Rolling code a 52 Bits, tipo FLOR	Digital Rolling code a 64 Bits, tipo SMILO
Compatibilidad transmisores	FLOR, VERY VR; sólo grupo individual: ERGO, PLANO, PLANOTIME	SMILO
Transmisores memorizables	hasta 256 si están memorizados en Modo I	
Impedancia de entrada	52Ω	
Sensibilidad	superior a 0.5μV	
Alcance de los transmisores	De 100 a 150 m, dicha distancia puede variar ante la presencia de obstáculos y posibles perturbaciones electromagnéticas y depende de la posición de la antena receptora.	
Salidas	4 (en conector SM)	
Temperatura de trabajo	-10°C ÷ 55°C	

Características técnicas	transmisor: FLO2R-S	transmisor: SM2
Tipo	Transmisor de 2 canales para radiomando	
Frecuencia	433.92MHz	
Codificación	Digital Rolling code a 52 Bits, tipo FLOR	Digital Rolling code a 64 Bits, tipo SMILO
Botones	2	
Alimentación	12Vdc con batería tipo 23A	
Absorción	25mA	
Duración de la batería	1 año, estimada sobre una base de 20 mandos/día de 1s de duración a 20°C (con temperaturas bajas la duración de las baterías disminuye)	
Potencia irradiada	100μW	
Medidas y peso	72 x 40 h 18mm / 30g	Diámetro 48 h 14mm / 19g
Grado de protección	IP 40 (uso en interiores o ambientes protegidos)	
Temperatura de trabajo	-40°C ÷ 85°C	

## Instrucciones y advertencias para el usuario del motorreductor SPIN

Estas instrucciones pueden integrar las "Instrucciones y advertencias para el uso de la automatización" que el instalador debe entregar al dueño de la automatización y que deben estar integradas por ellas.

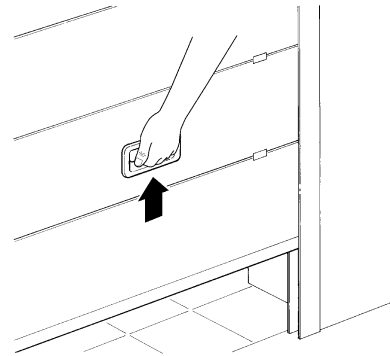
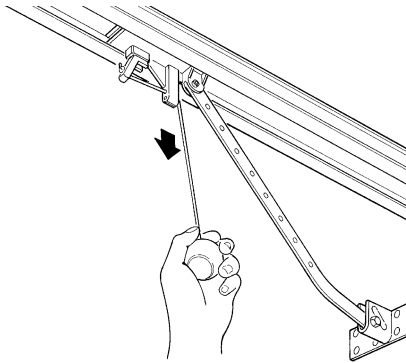
**Felicitaciones** por haber elegido un producto Nice para su automatización! Nice S.p.A. produce componentes para la automatización de cancelas, puertas, cierres enrollables, persianas y toldos: motorreductores, centrales de mando, radiomandos, luces intermitentes, fotocélulas y accesorios. Los productos Nice son fabricados sólo con materiales de calidad y excelentes mecanizados. Nuestra empresa busca constantemente soluciones innovadoras que simplifiquen aún más el uso de nuestros equipos, cuidados en todos los detalles técnicos, estéticos y ergonómicos: dentro de la vasta gama Nice, su instalador puede escoger el producto que satisfaga de la mejor manera sus exigencias. Nice no es quien escoge los componentes de su automatización, este es un trabajo de análisis, evaluación, elección de los materiales y realización de la instalación efectuado por su instalador de confianza. Cada automatización es única y sólo su instalador posee la experiencia y profesionalidad necesarias a fin de ejecutar una instalación a medida de sus exigencias, segura y fiable en el tiempo y, sobre todo, que respete las normativas vigentes. Una instalación de automatización es una gran comodidad, además de un sistema de seguridad válido y, con un mantenimiento reducido y sencillo, está destinada a durar por mucho tiempo. Aunque su automatización satisfaga el nivel de seguridad requerido por las normativas, esto no excluye la existencia de un "riesgo residual", es decir, la posibilidad de que se puedan crear situaciones de peligro causadas por un uso inconsciente o incorrecto, por dicho motivo, a continuación le damos algunos consejos sobre cómo comportarse para evitar inconvenientes.

- **Antes de usar por primera vez el automatismo**, pida a su instalador que le explique el origen de los riesgos residuales y lea este manual **de instrucciones y advertencias para el usuario** entregado por el instalador. Conserve el manual por cualquier problema que pueda surgir y recuerde entregarlo a un posible nuevo dueño del automatismo.
- **El automatismo ejecuta fielmente los mandos dados**; un uso inconsciente o inadecuado puede ser peligroso. Por consiguiente, no accione el automatismo cuando en su radio de acción haya personas, animales o bienes.
- **Niños**: una instalación de automatización garantiza un elevado grado de seguridad, impidiendo, gracias a sus sistemas de detección, que se mueva ante la presencia de personas o cosas, y garantizando una activación previsible y segura. Procure que los niños no jueguen cerca del automatismo y mantenga los controles remotos lejos de su alcance: **no son un juguete!**

- **Desperfectos**: si bien note que el automatismo no funciona correctamente, corte la alimentación eléctrica de la instalación y realice el desbloqueo manual. No realice ninguna reparación y llame a su instalador de confianza: una vez desbloqueado el motorreductor, la instalación podrá funcionar manualmente como un cerramiento no automatizado, tal como se describe más adelante.
- **Mantenimiento**: para garantizar una larga vida útil y para un funcionamiento seguro, la instalación, al igual que cualquier otra maquinaria, requiere un mantenimiento periódico. Establezca con su instalador un plan de mantenimiento con frecuencia periódica. Nice aconseja realizar un mantenimiento cada 6 meses para un uso residencial normal, que puede variar según la intensidad de uso. Cualquier tipo de control, mantenimiento o reparación debe ser realizado sólo por personal cualificado.
- Aunque piense que lo sabe hacer, no modifique la instalación ni los parámetros de programación y de regulación del automatismo: la responsabilidad es de su instalador.
- El ensayo, los trabajos de mantenimiento periódico y las posibles reparaciones deben ser documentados por quien los efectúa y los documentos tienen que ser conservados por el dueño de la instalación.  
**Las únicas operaciones** que pueden hacerse y que le aconsejamos efectuar periódicamente son la limpieza de los vidrios de las fotocélulas y la eliminación de hojas o piedras que podrían obstaculizar el automatismo. Para que nadie pueda accionar la puerta, antes de proceder recuerde **desbloquear el automatismo** (como descrito más adelante) y utilice para la limpieza únicamente un paño ligeramente humedecido con agua.
- **Desguace** al final de la vida útil del automatismo, el desguace debe ser realizado por personal cualificado y los materiales deben ser reciclados o eliminados según las normas locales vigentes.
- **En el caso de roturas o falta de alimentación**: esperando la intervención de su instalador, o la llegada de la energía eléctrica si la instalación no está dotada de baterías compensadoras, la automatización puede accionarse igual que cualquier cerramiento no automatizado. A tal fin es necesario realizar el desbloqueo manual (única operación que el usuario puede realizar): dicha operación ha sido estudiada por Nice para facilitarle su empleo, sin necesidad de utilizar herramientas ni hacer esfuerzos físicos.

**Desbloqueo y movimiento manual:** antes de ejecutar esta operación observe que el desbloqueo puede efectuarse sólo cuando la puerta esté detenida.

1. Jale del tirador de desbloqueo hacia abajo hasta sentir que el carro se desenganche.
2. Entonces, es posible mover manualmente la puerta
3. Para restablecer el funcionamiento del automatismo, coloque la puerta en la posición original hasta sentir que el carro se engancha.



**Accionamiento con dispositivos de seguridad fuera de uso:** si los dispositivos de seguridad montados en la puerta no funcionaran correctamente, es de igual forma posible accionar la puerta.

- Accione el mando de la puerta (con el telecomando, con el selector de llave, etc.); si todo es correcto, la puerta se abrirá o cerrará normalmente, en caso contrario, la luz intermitente destellará algunas veces y la maniobra no arrancará (la cantidad de destellos depende de la razón que impide que arranque la maniobra).
- En este caso, dentro de tres segundos, accione nuevamente el mando y **manténgalo accionado**.
- Transcurridos alrededor de 2s, comenzará el movimiento de la puerta en modo "hombre muerto", es decir mientras se mantenga apretado el mando la puerta seguirá moviéndose; ni bien se suelte el mando, la puerta se detendrá.

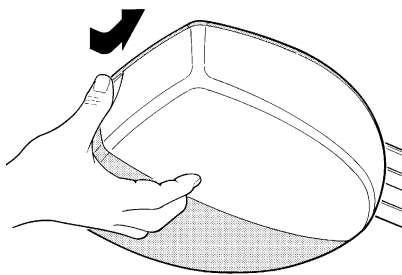
**Con los dispositivos de seguridad fuera de uso es necesario hacer reparar lo antes posible el automatismo.**

**Sustitución de la pila del telecomando:** si el radiomando después de transcurrido un cierto período no funciona correctamente o deja de funcionar, podría ser que la pila esté agotada (puede durar desde varios meses a más de un año según el uso). Ud. se podrá dar cuenta de este inconveniente por el hecho de que la luz del indicador de confirmación de la transmisión no se enciende, es débil, o bien se enciende sólo durante un breve instante. Antes de llamar al instalador, pruebe a sustituir la pila con una de otro transmisor que funcione correctamente: si el problema fuera este, sustituya la pila con otra del mismo tipo.

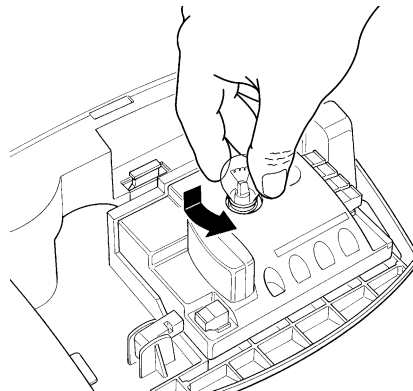
**Atención:** las pilas contiene sustancias contaminantes: no las arroje en los residuos normales sino que elimínelas de acuerdo con las leyes locales.

**Sustitución de la bombilla:** antes de cumplir esta tarea corte la alimentación del SPIN.

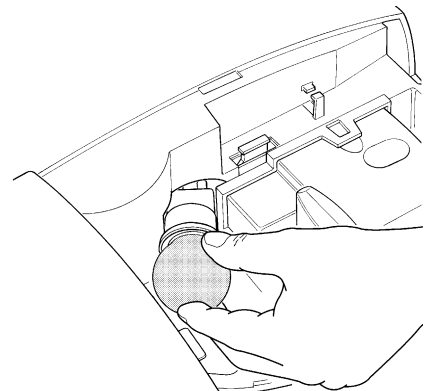
1. Abra la tapa blanca presionando y haciéndola girar.



2. Para SN6021: quite la bombilla presionando hacia arriba y después haciéndola girar. Coloque una bombilla nueva de 12V / 21W conexión BA15.



3. Para SN6031 y SN6041: desenrosque la bombilla que no funciona. Coloque una bombilla nueva de 230V / 60W conexión E27.



**Está Ud. satisfecho?** Si Ud. deseara montar en su casa un nuevo automatismo, contacte al mismo instalador y a Nice, así podrá contar con la garantía del asesoramiento de un experto y con los productos más modernos del mercado, el mejor funcionamiento y la máxima compatibilidad de las automatizaciones.

Le agradecemos por haber leído estas recomendaciones y esperamos que esté satisfecho de su nueva instalación: ante cualquier exigencia, actual o futura, contacte con confianza a su instalador.



# Spin

Spis:	pag.
<b>1</b>	Ostrzeżenia 143
<b>2</b>	Opis produktu 143
<b>2.1</b>	Ograniczenia zastosowania 144
<b>2.2</b>	Typowa instalacja 145
<b>2.3</b>	Wykaz przewodów 145
<b>3</b>	Instalowanie 146
<b>3.1</b>	Kontrola wstępna 146
<b>3.2</b>	Mocowanie siłownika SPIN 146
<b>3.2.1</b>	Montaż prowadnicy, będącej na wyposażeniu do SPIN20KCE, SPIN30 i SPIN40 147
<b>3.2.2</b>	Montaż prowadnicy SNA5 147
<b>3.2.3</b>	Montaż prowadnicy SNA6 147
<b>3.2.4</b>	Mocowanie siłownika do prowadnicy 148
<b>3.2.5</b>	Mocowanie siłownika do sufitu 148
<b>3.3</b>	Instalowanie innych urządzeń 150
<b>3.4</b>	Połączenia elektryczne 150
<b>3.5</b>	Opis połączeń elektrycznych 151
<b>4</b>	Końcowa kontrola oraz uruchomienie 151
<b>4.1</b>	Podłączenie zasilania 151
<b>4.2</b>	Rozpoznanie dołączonych urządzeń 152
<b>4.3</b>	Programowanie pozycji otwarcia i zamknięcia bramy 152
<b>4.4</b>	Kontrola ruchu bramy 152
<b>4.5</b>	Funkcje fabrycznie ustawione 153
<b>4.6</b>	Odbiornik radiowy 153
<b>4.6.1</b>	Wczytywanie nadajników 153
<b>4.6.2</b>	Wczytywanie w trybie I 154
<b>4.6.3</b>	Wczytywanie w trybie II 154
<b>4.6.4</b>	Wczytywanie "na odległość" 154
<b>4.6.5</b>	Usuwanie z pamięci kodów nadajników radiowych 155
<b>4.6.6</b>	Deklaracja Zgodności odbiornika i nadajników radiowych 155
<b>5</b>	Odbiór i przekazanie do eksploatacji. 155
<b>5.1</b>	Próby odbiorcze. 155
<b>5.2</b>	Rozruch. 156
<b>6</b>	Konserwacja i utylizacja 156
<b>6.1</b>	Czynności konserwacyjne 156
<b>6.2</b>	Utylizacja 156
<b>7</b>	Rozszerzenie wiadomości 157
<b>7.1</b>	Przyciski do programowania 157
<b>7.2</b>	Programowanie 157
<b>7.2.1</b>	Funkcje pierwszego poziomu (funkcje ON-OFF) 157
<b>7.2.2</b>	Programowanie pierwszego poziomu (funkcje ON-OFF) 158
<b>7.2.3</b>	Funkcje drugiego poziomu (parametry regulowane) 158
<b>7.2.4</b>	Programowanie drugiego poziomu (parametry regulowane) 158
<b>7.2.5</b>	Przykład programowania poziomu pierwszego (funkcje ON-OFF) 159
<b>7.2.6</b>	Przykład programowania poziomu drugiego (parametry regulowane) 159
<b>7.3</b>	Dodawanie lub demontaż urządzeń 159
<b>7.3.1</b>	BlueBUS 159
<b>7.3.2</b>	Wejście STOP 160
<b>7.3.3</b>	Fotokomórki 160
<b>7.3.4</b>	Rozpoznawanie innych urządzeń 161
<b>7.4</b>	Funkcje specjalne 161
<b>7.4.1</b>	Funkcja "Zawsze otwórz" 161
<b>7.4.2</b>	Funkcja "Otwórz awaryjnie" 161
<b>7.5</b>	Podłączenie innych urządzeń 161
<b>7.6</b>	Rozwiązywanie problemów 162
<b>7.7</b>	Diagnostyka i sygnalizacja 162
<b>7.7.1</b>	Sygnalizacja z lampą ostrzegawczą i światelkiem nocnym 162
<b>7.7.2</b>	Sygnalizacja diodami w centrali 163
<b>7.8</b>	Wyposażenie 164
<b>8</b>	Dane techniczne 165
	Instrukcje i ostrzeżenia skierowane do użytkownika siłownika SPIN 167

## 1) Ostrzeżenia

Ta instrukcja zawiera ważne informacje, dotyczące bezpieczeństwa podczas instalowania, należy się z nią zapoznać przed rozpoczęciem prac instalacyjnych. Niniejszą instrukcję należy przechowywać w celu ewentualnej, przyszłej konsultacji.

W niniejszej instrukcji, tam gdzie przedstawione są dane, ostrzeżenia, i inne informacje, wspólne dla wszystkich produktów, będzie się używać nazwy grupy produktów: "SPIN". Opis poszczególnych produktów znajduje się w rozdziale: "2 Opis produktu".

Biorąc pod uwagę niebezpieczeństwa, jakie mogą wystąpić podczas instalowania i użytkowania siłowników SPIN, dla pełnego bezpieczeństwa, instalowanie musi odpowiadać przepisom, normom i uregulowaniom prawnym. W tym rozdziale są przywołane wszystkie ostrzeżenia ogólne a inne, ważne ostrzeżenia są podane w rozdziałach "3.1 Kontrola wstępna" i "5 Odbiór i przekazanie do eksploatacji".

**⚠ Według najnowszych, obowiązujących przepisów europejskich, wykonanie drzwi lub bramy automatycznej musi być zgodne z Dyrektywą 98/37/CE (Dyrektywa Maszynowa), a w szczególności musi odpowiadać normom: EN 12445; EN 12453 i EN 12635, które pozwalają na wydanie oświadczenia zgodności.**

Dodatkowe informacje, wytyczne do analizy zagrożeń i Książka Techniczna, są dostępne na stronie internetowej [www.niceforyou.com](http://www.niceforyou.com).

- Niniejsza instrukcja jest przeznaczona wyłącznie dla wykwalifikowanego personelu instalującego. Poza załącznikiem „Instrukcje i uwagi” przeznaczone dla użytkownika siłownika SPIN, który ma odczepić od całości osoba instalująca, żadna inna informacja zawarta w niniejszej instrukcji nie jest przeznaczona dla ostatecznego użytkownika!
- Użycie siłownika SPIN do innych celów, niż przewidziano w niniejszej instrukcji jest zabronione; użycie niezgodne z przeznaczeniem może stworzyć zagrożenie i wyrządzić szkody ludziom lub rzeczom.

- Przed rozpoczęciem instalowania, należy wykonać analizę zagrożeń wraz z wykazem podstawowych warunków bezpieczeństwa, przewidzianych w załączniku I Dyrektywy Maszynowej, wskazując odpowiednie rozwiązania, jakie należy zastosować. Przypomina się, że analiza zagrożeń jest jednym z dokumentów składowych "Książki Technicznej" automatyki.
- Sprawdzić, czy są niezbędne inne urządzenia do skompletowania automatyki z siłownikiem SPIN, zgodnie ze specyficzną sytuacją dotyczącą zastosowania, oraz z istniejącymi zagrożeniami; należy wziąć pod uwagę, na przykład, niebezpieczeństwo uderzenia, zgniecenia, obciążenia, szarpnięcia, itd., oraz innych zagrożeń jakie mogą wystąpić.
- Nie wykonywać modyfikacji żadnej części, jeśli nie są one przewidziane w niniejszej instrukcji; operacje tego typu mogą jedynie spowodować niewłaściwe działanie; NICE nie bierze odpowiedzialności za szkody spowodowane przez tak zmodyfikowany produkt.
- Podczas instalowania i użytkowania, należy uważać, aby do wnętrza centrali i innych otwartych urządzeń nie dostały się elementy stałe lub płynne; ewentualnie należy zwrócić się wtedy do serwisu technicznego NICE. Użytkowanie SPIN w takich sytuacjach może spowodować niebezpieczne sytuacje.
- Automatyka nie może być użytkowana zanim nie zostanie przekazana do eksploatacji, tak jak opisano w rozdziale: "5 Odbiór i przekazanie do eksploatacji".
- Gdy naprawa wykonana według wskazówek umieszczonych w niniejszej instrukcji nie da oczekiwanego efektu, należy skontaktować się z serwisem technicznym firmy NICE.
- Opakowanie siłownika SPIN musi być zlikwidowane zgodnie z odpowiednimi przepisami.
- Po zadziałaniu wyłączników automatycznych lub bezpieczników i przed ich przywróceniem do pierwotnej pozycji, należy określić i wyeliminować usterkę.
- Przed otwarciem pokrywy osłaniającej zaciski siłownika SPIN, należy odłączyć wszystkie obwody zasilające; jeśli urządzenie wyłączające jest niewidoczne z miejsca pracy, należy zawiesić tablicę "UWAGA - PRACE KONSERWACYJNE W TOKU".

## 2) Opis produktu

SPIN to rodzina siłowników z napędem elektrycznym, przeznaczonych do automatyzacji bram sekcyjnych, a z odpowiednim, dodatkowym urządzeniem SPA5, które nie jest dostarczane w komplecie, również dla bram wahadłowych na sprężyny lub na przeciwcieżar, wystających lub nie. Podłączenia elektryczne urządzeń zewnętrznych są uproszczone poprzez zastosowanie systemu "BlueBUS", co pozwala na podłączenie wielu urządzeń za pomocą jedynie 2 przewodów.

Siłowniki SPIN działają za pomocą energii elektrycznej, w przypadku braku zasilania z sieci elektrycznej siłownik można odblokować, a bramę można przesunąć ręcznie.

W niektórych wersjach można zastosować akumulator awaryjny PS124, za pomocą którego można poruszać bramę w przypadku braku zasilania z sieci.

**Tabela Nr1: opis elementów systemu SPIN**

Model typ	Siłownik	Prowadnica	Odbiornik radiowy	Nadajnik radiowy
SPIN20KCE	SN6021	3x1m	SMXI	FLO2R-S
SPIN21KCE	SN6021	3m	SMXI	FLO2R-S
SPIN30	SN6031	3x1m	---	---
SPIN40	SN6041	3x1m	---	---
SN6031	SN6031	---	---	---
SN6041	SN6041	---	---	---

SN6031 musi być w komplecie z prowadnicami SNA5 (3m) albo SNA6 (3m + 1m).

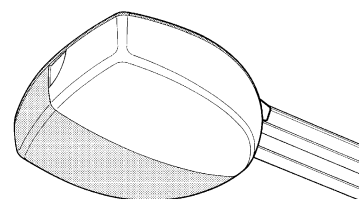
SN6041 musi być w komplecie z prowadnicą SNA6 (3m + 1m).

SPIN30; SPIN40; SN6031 i SN6041 mogą być skompletowane z odbiornikami radiowymi SMXI albo SMXIS i z odpowiednimi nadajnikami radiowymi

**Tabela Nr 2: porównanie najważniejszych charakterystyk siłowników SPIN**

Siłownik typ	SN6021	SN6031	SN6041
Moment maksymalny (odpowiada maksymalnej sile)	11.7 Nm (650N)	11.7 Nm (650N)	18 Nm (1000N)
Energooszczędny w Stand-By	Nie	Tak	Tak
Maksymalna ilość jedn. BlueBus	2	6	6
Zasilanie awaryjne	Nie	z PS124	z PS124
Światelko nocne (przyłącze lampy)	12V - 21W (BA15)	230V* - 60W (E27)	230V* - 60W (E27)

\* 120V w wersjach SPIN/V1



1

PL

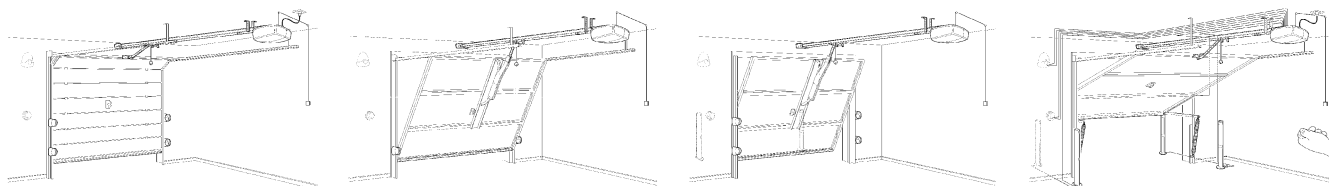
## 2.1) Ograniczenia zastosowania

Dane dotyczące wydajności produktów serii SPIN, są podane w rozdziale "8 Dane techniczne" i są jedynymi wartościami, które pozwolą na dokonanie właściwego wyboru urządzenia do danego użytku.

Charakterystyki konstrukcyjne produktów SPIN umożliwiają zastosowanie do bram sekcyjnych lub wahadłowych, zgodnie z ograniczeniami podanymi w tabelach Nr 3, 4 i 5.

**Tabela Nr 3: ograniczenia w zastosowaniu siłowników SPIN**

Model typ:	Brama SEKCYJNA		Brama WAHADŁOWA niewystająca (z dodatkowym osprzętem SPA5)		Brama WAHADŁOWA wystająca (z akcesorium SPA5) lub na sprężynie (bez SPA5)	
	Wys.	Szer.	Wys.	Szer.	Wys.	Szer.
SPIN20KCE	2.4m	4.4m	2.2m	4.2m	2.8m	4.2m
SPIN21KCE	2.4m	4.4m	2.2m	4.2m	2.8m	4.2m
SPIN30	2.4m	4.4m	2.2m	4.2m	2.8m	4.2m
SPIN40	2.4m	5.2m	2.2m	4.2m	2.8m	4.2m
SN6031 (SNA5)	2.4m	4.4m	2.2m	4.2m	2.8m	4.2m
SN6031 (SNA6)	3.4m	3.1m	3.2m	2.9m	3.5m	3.4m
SN6041 (SNA6)	3.4m	5.2m	3.2m	4.2m	3.5m	4.2m



Wymiary podane w tabeli Nr 3 są tylko wzorcowe i służą jedynie do wstępnego oszacowania. Rzeczywista przydatność SPIN do automatyzacji określonej bramy, zależy od stopnia wyważenia skrzydła; od oporów tarcia w prowadnicach i innych zjawisk, również chwilowych, jak siła wiatru lub obecność oblodzenia, które mogą uniemożliwić ruch skrzydła.

Dla określenia rzeczywistych wartości, należy bezwzględnie zmierzyć siłę niezbędną do ruszenia skrzydła na całej długości ruchu i sprawdzić, czy nie przekracza "momentu nominalnego", podanego w rozdziale "8 Dane techniczne"; ponadto, aby ustalić maksymalną ilość cykli na godzinę i cykli następujących po sobie, należy skonsultować tabelę Nr 4 i 5.

**Tabela Nr 4: ograniczenia wynikające z wysokości skrzydła**

Wysokość skrzydła w metrach	maksymalna ilość cykli/godzinę	maksymalna ilość kolejnych cykli
Do 2	20	10
2÷2,5	15	7
2,5÷3	12	5
3÷3,5	10	4

**Tabela Nr 5: ograniczeń związanych z niezbędną siłą do poruszenia skrzydłem**

Siła do poruszenia skrzydła N	Procentowe zmniejszenie ilości cykli	
	SN6021 - SN6031	SN6041
Do 250	100%	100%
250÷400	70%	90%
400÷500	25%	70%
500÷650	---	40%
650÷850	---	25%

Wysokość bramy pozwala na określenie maksymalnej ilości cykli na godzinę, oraz cykli następujących po sobie, natomiast siła potrzebna do jej przemieszczenia pozwala na określenie procentowego zmniejszenia cykli; na przykład, jeśli skrzydło ma wys. 2,2m, to byłyby możliwe 15 cykli na godzinę oraz 7 cykli kolejnych, ale jeśli do przesunięcia skrzydła potrzeba 300N, to stosując siłownik SN6021 należy je zmniejszyć do 70%, wynik więc będzie wynosił 10 cykli na godzinę oraz około 5 cykli następujących po sobie.

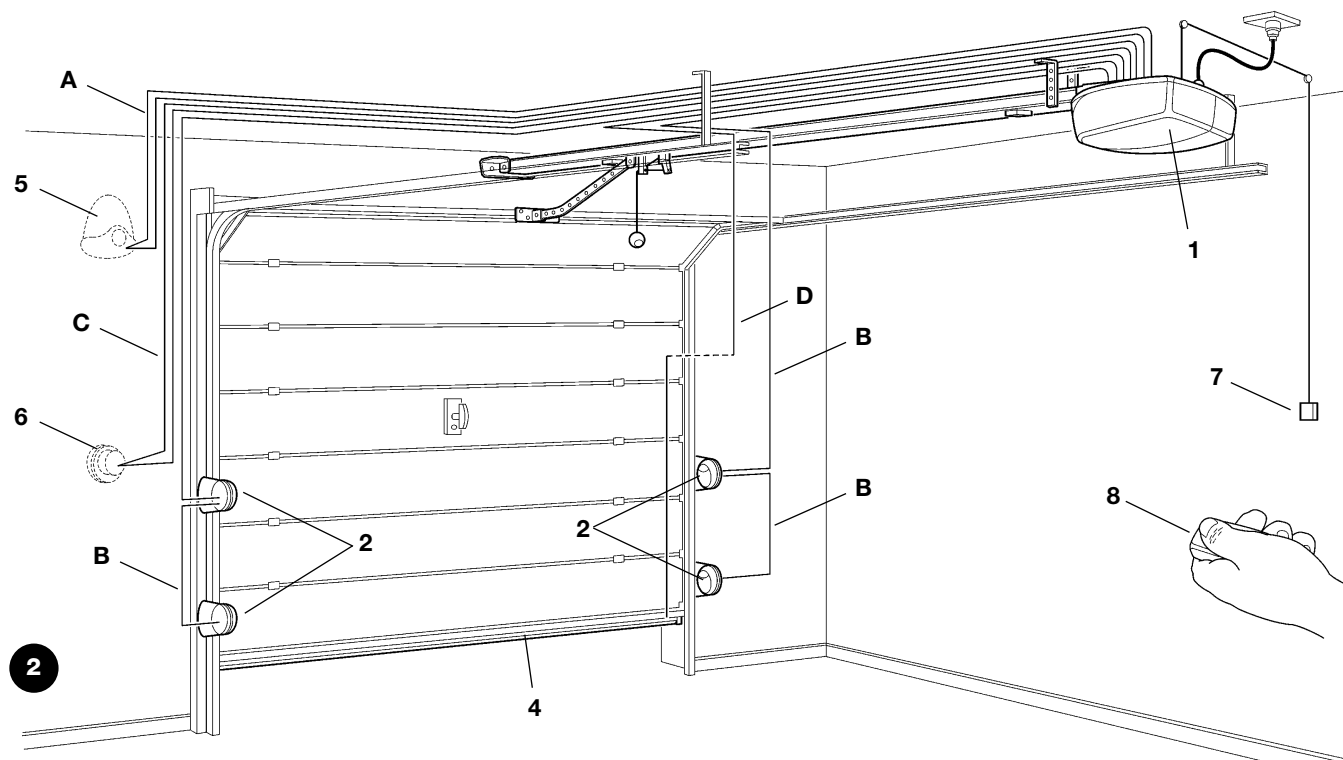
Dla zapobieżenia przegrzaniu, w centrali zamontowany jest ogranicznik, który oblicza obciążenie silnika i czas trwania cykli i interweniuje, kiedy zostaje przekroczona maksymalna wartość graniczna.

**Uwaga:** 1 kg = 9.81N czyli na przykład, 500N = 51 kg.



## 2.2) Typowa instalacja

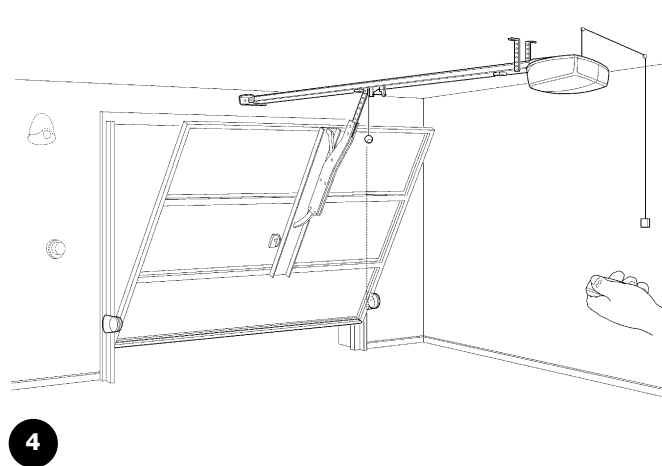
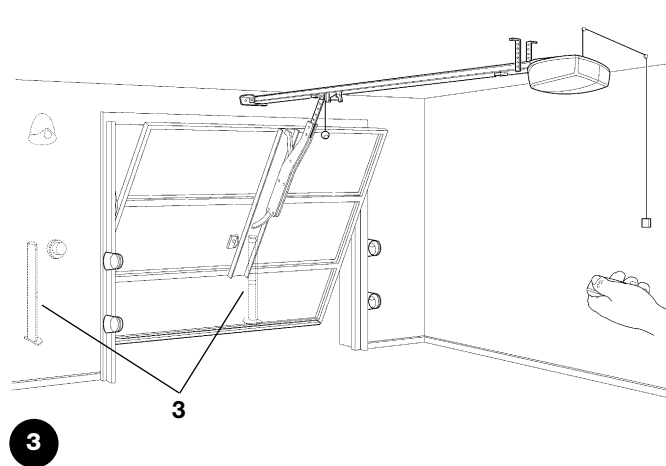
Na rysunku 2 pokazano typową instalację dla bramy sekcyjnej.



- |                                       |   |                        |
|---------------------------------------|---|------------------------|
| 1 SPIN                                | 4 Listwa krawędziowa główna                       | 6 Przełącznik na klucz |
| 2 Fotokomórki                         | 5 Migająca lampa ostrzegawcza z zabudowaną anteną | 7 Linka funkcji PP     |
| 3 Fotokomórki na kolumnie (rysunku 3) |   | 8 Nadajnik radiowy     |

Na rysunkach 3 i 4 pokazane są instalacje typowe dla bramy wahadłowej wystającej i niewystającej.

**⚠ Dla instalacji na bramach wahadłowych niezbędny jest dodatkowy osprzęt SPA5.**



## 2.3) Wykaz przewodów

W typowej instalacji pokazanej na rysunku 3, uwidocznione są także przewody niezbędne do podłączenia różnych urządzeń; w tabeli nr 6 podane są charakterystyki tych przewodów.

**⚠ Użyte przewody muszą być dostosowane do typu instalacji - zaleca się na przykład zastosowanie przewodu typu H03VV-F, do instalowania na zewnątrz.**

Tabela Nr 6: wykaz przewodów

Podłączenie	Rodzaj przewodu	Maksymalna dozwolona długość
A: Lampa ostrzegawcza z anteną	Nr 1 przewód 2x0,5mm <sup>2</sup> Nr 1 przewód ekranowany RG58	20m 20m (zaleca się krótszy niż 5m)
B: Fotokomórki	Nr 1 przewód 2x0,5mm <sup>2</sup>	30m
C: Przełącznik na klucz	2 przewody 2x0,5mm <sup>2</sup> (uwaga 1)	50m
D: Listwa krawędziowa główna	Nr 1 przewód 2x0,5mm <sup>2</sup> (uwaga 2 - 3)	30m

**Uwaga 1:** dwa przewody 2x0,5mm<sup>2</sup> mogą być zastąpione jednym przewodem 4x0,5mm<sup>2</sup>

**Uwaga 2:** jeśli jest więcej niż jedna listwa, patrz rozdział "7.3.2 Wejście STOP" dla rodzaju zalecanego połączenia

**Uwaga 3:** do połączenia listew na bramach należy wykorzystać odpowiednie urządzenia, które pozwalają na połączenie elektryczne również wtedy, kiedy skrzydło jest w ruchu.

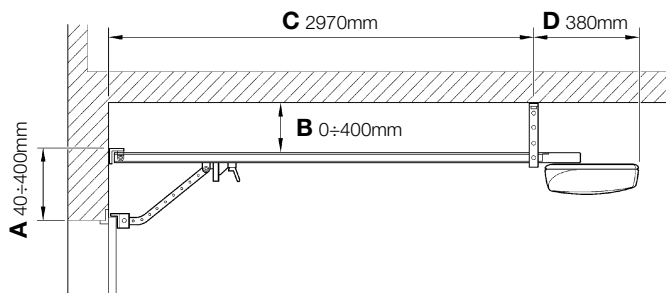
### 3) Instalowanie

**⚠ Instalacja siłownika SPIN musi być wykonana przez wykwalifikowany personel, zgodnie z przepisami, normami i uregulowaniami prawnymi, oraz według niniejszej instrukcji.**

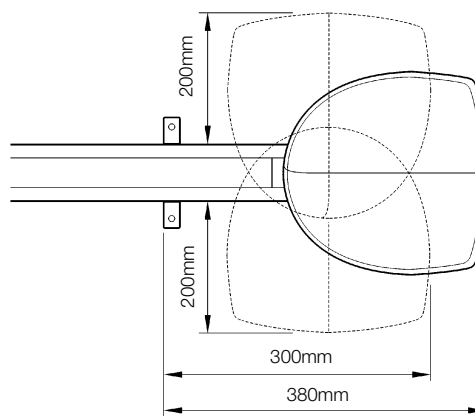
#### 3.1) Kontrola wstępna

Przed przystąpieniem do instalacji siłownika SPIN, należy sprawdzić następujące rzeczy:

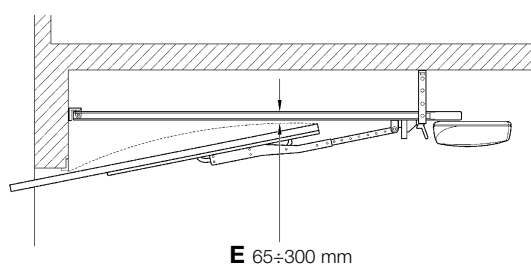
- Sprawdzić, czy wszystkie elementy i materiały, jakie będą zastosowane, są w idealnym stanie, odpowiednie do użycia i zgodne z normami.
- Sprawdzić, czy brama ma wytrzymałość i wymiary mieszczące się w zakresie użytkowania podanego w rozdziale "2.1 Ograniczenia zastosowania".
- Sprawdzić, porównując z wartościami podanymi w rozdziale 8 „Dane techniczne”, czy tarcie statyczne, (to znaczy siła niezbędna do poruszenia skrzydła) jest mniejsze od połowy "Siły maksymalnej", i czy tarcie dynamiczne (to znaczy siła potrzebna do utrzymania ruchu skrzydła) jest mniejsze od połowy "Siły nominalnej"; zaleca się tu margines 50%, ponieważ warunki klimatyczne mogą zwiększyć tarcie w czasie eksploatacji bramy.
- Sprawdzić, czy na całej drodze przesuwu skrzydła, tak przy zamykaniu jak i przy otwieraniu, nie ma miejsc gdzie występuje zwiększone tarcie.
- Sprawdzić wytrzymałość blokad mechanicznych i sprawdzić, czy niema niebezpieczeństwa wyskoczenia bramy z prowadnic.
- Sprawdzić, czy skrzydło pozostaje w równowadze, to znaczy nie może się ruszać jeśli jest zatrzymane i pozostawione w jakiegokolwiek pozycji.
- Sprawdzić, czy punkty mocowania różnych urządzeń (fotokomórki, przyciski itd.), są w miejscach zabezpieczonych przed uderzeniami i czy powierzchnie montażu są odpowiednie.
- Sprawdzić, czy zachowane są minimalne i maksymalne przestrzenie, podane na rysunkach 5 i 6
- Unikać przypadków takich, w których elementy automatyki mogłyby być zanurzone w wodzie lub w innych cieczach.
- Nie umieszczać elementów siłownika SPIN w pobliżu źródeł ciepła ani płomieni; może to być przyczyną uszkodzenia spowodowanego wadliwym funkcjonowaniem, i być przyczyną pożaru lub innych niebezpiecznych sytuacji.
- W przypadku bramy w skrzydle sprawdzić, czy nie jest ona przeszkodą w ruchu bramy i ewentualnie wykonać odpowiedni system jej blokowania.
- Jeśli brama, która ma być zautomatyzowana, jest bramą wahadłową, należy sprawdzić wartość E na rys. 7, to znaczy minimalną odległość pomiędzy górnym brzegiem prowadnicy i maksymalnym punktem osiągniętym przez górną krawędź bramy. W przeciwnym wypadku siłownik SPIN nie może być zamontowany.
- Podłączyć wtyczkę zasilania SPIN do gniazdka elektrycznego wyposażonego w uziemienie.
- Obwód elektryczny musi być zabezpieczony przez odpowiedni bezpiecznik magnetyczno – termiczny lub różnicowy.



5



6



7

#### 3.2) Mocowanie siłownika SPIN

Mocowanie SPIN podzielone jest na 3 fazy:

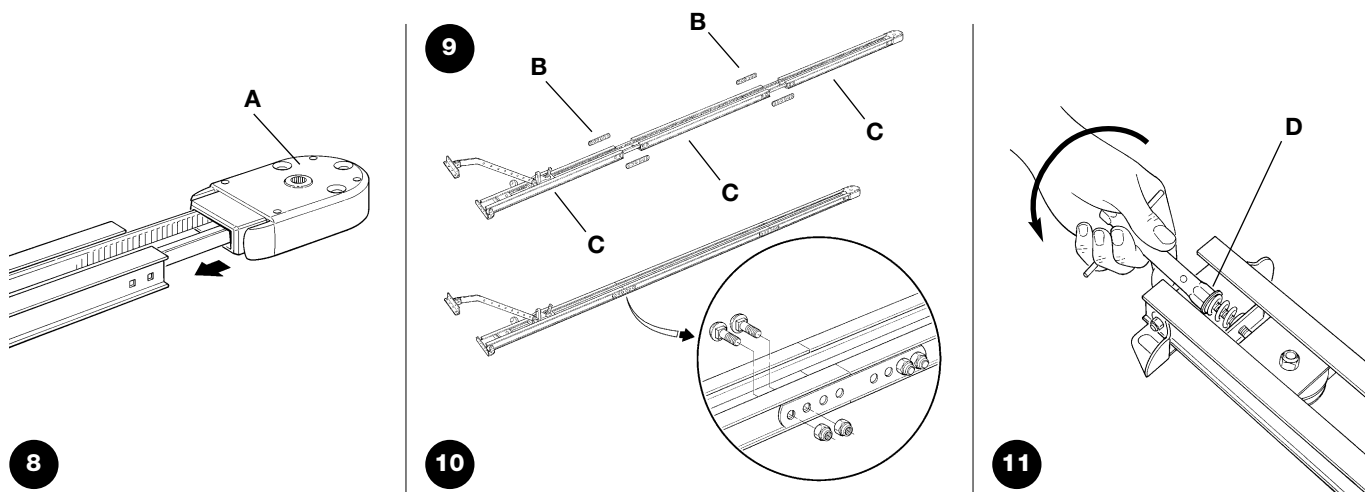
- Montaż prowadnicy (patrz rozdział 3.2.1 dla prowadnic na wyposażeniu dla SPIN20KCE, SPIN30 i SPIN40, rozdział 3.2.2 dla prowadnicy SNA5 i rozdział 3.2.3 dla prowadnicy SNA6)
- Mocowanie siłownika do prowadnicy (patrz rozdział 3.2.4)
- Mocowanie siłownika do sufitu (patrz rozdział 3.2.5)

**⚠ Do SN6031 dostosować prowadnicę SNA5 lub SNA6, natomiast dla SN6041 zastosować prowadnicę SNA6.**

### 3.2.1) Montaż prowadnicy będącej na wyposażeniu do SPIN20KCE, SPIN30 i SPIN40

Prowadnica na wyposażeniu do SPIN20KCE, SPIN30 i SPIN40 musi być połączona w następujący sposób:

1. Przygotować trzy elementy tworzące prowadnicę, tak, aby je można połączyć. Należy zwrócić uwagę na pozycję paska: musi mieć zęby skierowane do wnętrza, ma być prosty i nieposkręcany.
2. Dołączyć głowicę do prowadnicy (A), tak jak na rys. 8. Ta operacja wymaga użycia pewnej siły, ewentualnie można użyć gumowy młotek.
3. Za pomocą łączników (B), połączyć trzy części (C), jak na rys. 9 i 10.
4. Naciągnąć pasek za pomocą nakrętki M8 (D), jak na rys. 11, aż do uzyskania odpowiedniej sztywności.



### 3.2.2) Montaż prowadnicy SNA5

Prowadnica SNA5 jest już wstępnie złożona. Jedyną operacją, jaką należy wykonać to naciągnięcie paska za pomocą nakrętki M8 (D), jak na rys. 11, aż do uzyskania odpowiedniej sztywności.

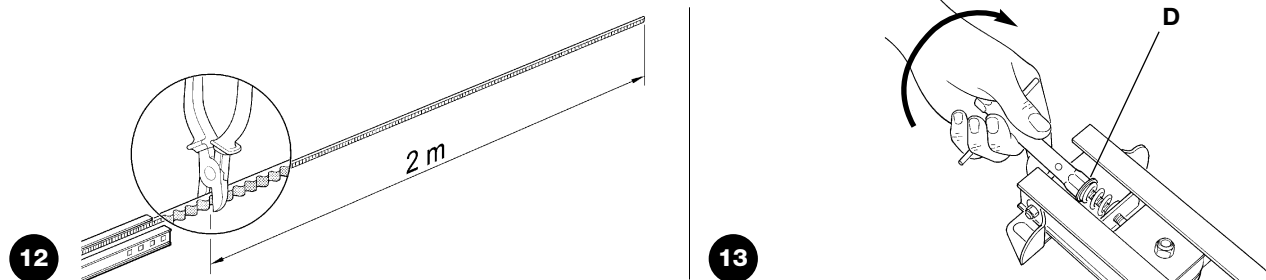
### 3.2.3) Montaż prowadnicy SNA6

Prowadnica SNA6 składa się z 2 profili: jeden 3 m i drugi 1 m, pozwala to na wykonanie prowadnicy w 2 wersjach:

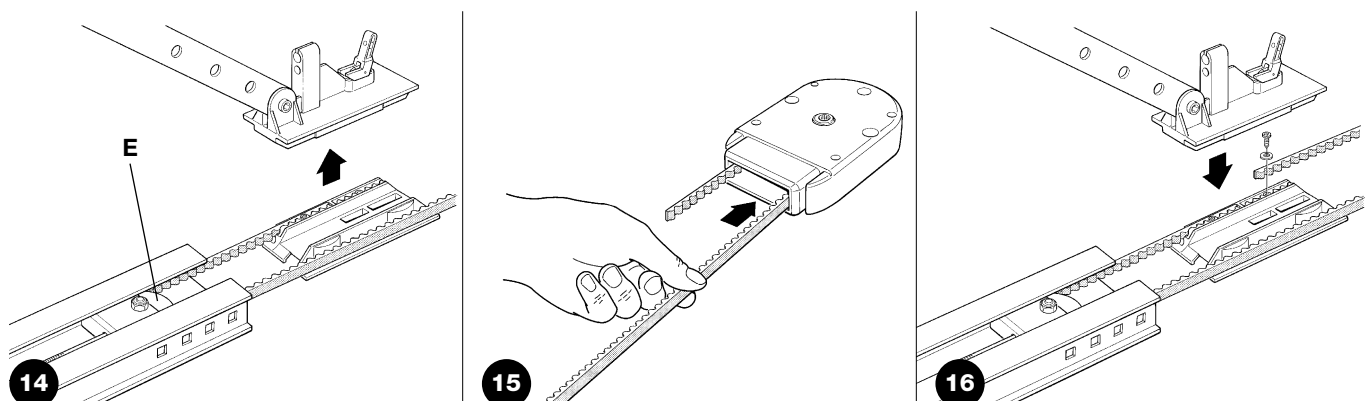
#### Wersja 3m

Jeśli wysokość bramy do zautomatyzowania jest równa lub mniejszą niż 2,5m prowadnicę połączyć w następujący sposób:

1. Uciąć pasek na wolnej końcówce na długości 2 m, tak jak przedstawiono na rys. 12.
2. Całkowicie odkręcić nakrętkę M8 (D), tak jak przedstawiono na rys. 13.

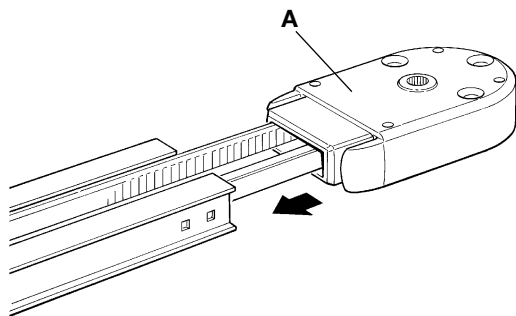


3. Przesunąć, aż do połowy prowadnicy przekładnię naciągu paska (E), jak na rys. 14 i całkowicie wyjąć wózek.
4. Przełożyć wolny koniec paska poprzez głowicę, jak na rys. 15 i zamocować go do wózka za pomocą śrub i podkładek jakie tam się znajdują, tak, jak na rys. 16. Należy zwrócić uwagę na pozycję paska: ząbki mają być skierowane do wnętrza, ma być on wyprostowany i nieposkręcany.

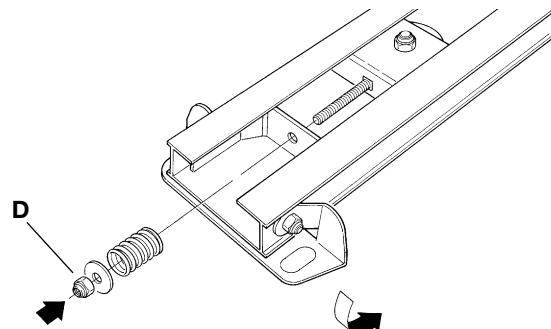


PL

- Przesunąć w pierwotną pozycję przekładnię naciągu paska i wózek. Dołączyć głowicę prowadnicy (A) tak, jak na rys. 17. Ta operacja wymaga użycia pewnej siły, ewentualnie można użyć gumowy młotek.
- Włożyć do śruby przekładni naciągu paska sprężynę, podkładkę i nakrętkę M8 (D), jak na rys. 18.
- Naciągnąć pasek za pomocą nakrętki M8 (D), jak na rys. 11, aż do uzyskania odpowiedniej sztywności.



17



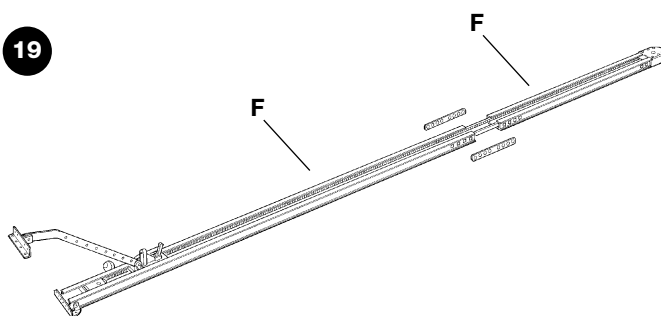
18

### Wersja 4m

Jeśli brama jaka ma być zautomatyzowana, ma wysokość większą niż 2,5m, to należy zmontować prowadnicę w następujący sposób:

- Całkowicie odkręcić nakrętkę M8 (D), tak jak na rys. 13.
- Przesunąć aż do połowy prowadnicy przekładnię naciągu paska (E), jak na rys. 14 i całkowicie wyjąć wózek.
- Przełożyć wolny koniec paska poprzez głowicę, jak na rys. 15 i zamocować go do wózka za pomocą śrub i podkładek jakie tam się znajdują, tak, jak na rys. 16. Należy zwrócić uwagę na pozycję paska: musi mieć zęby skierowane do wnętrza, musi być prosty i nieposkręcany.
- Dołączyć głowicę prowadnicy (A) tak, jak na rys. 17. Ta operacja wymaga użycia pewnej siły, ewentualnie można użyć gumowy młotek.
- Za pomocą łączników (B) połączyć obie części (C), jak na rys. 19.
- Przesunąć w pierwotną pozycję przekładnię naciągu paska i wózek.

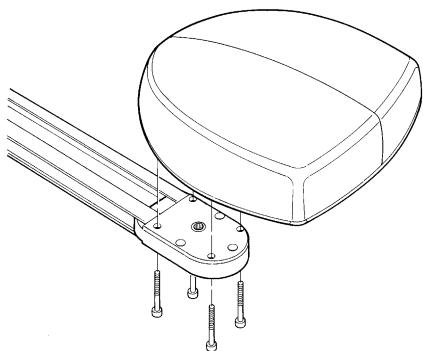
19



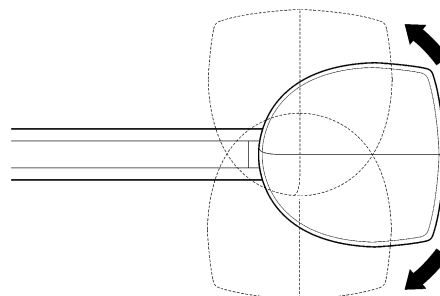
- Włożyć do śruby przekładni naciągu paska sprężynę, podkładkę i nakrętkę M8 (D), jak na rys. 18.
- Naciągnąć pasek za pomocą nakrętki M8 (D), jak na rys. 11, aż do uzyskania odpowiedniej sztywności.

### 3.2.4) Mocowanie siłownika do prowadnicy

- Połączyć siłownik SPIN z głowicą prowadnicy (A); następnie zamocować go za pomocą 4 śrub V6.3x38, jak na rys. 20.
- Silnik może być obrócony w trzy różne położenia, tak, jak na rys. 21.



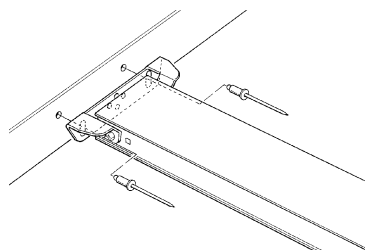
20



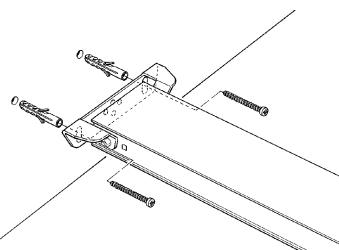
21

### 3.2.5) Mocowanie siłownika do sufitu

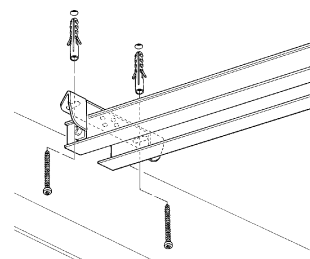
- Przestrzegając wartości A i B na rys. 5, zaznaczyć na środku bramy dwa punkty mocowania uchwyty przedniego prowadnicy. Według rodzaju materiału, uchwyt przedni może być zamocowany przy pomocy nitów, kołków lub śrub (rysunki 22 i 23). Jeśli wartości A i B (rys. 5) na to pozwalają, uchwyt może być zamocowany bezpośrednio do sufitu, jak na rys. 24.



22

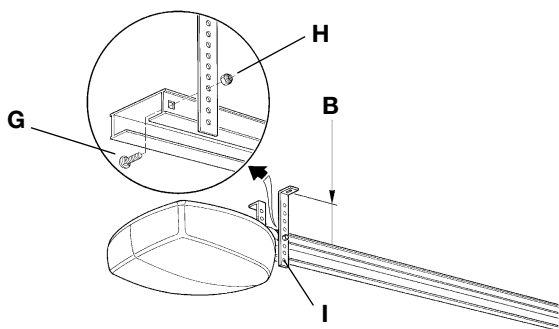


23

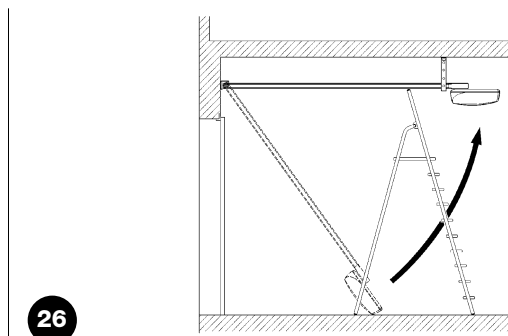


24

- Po wywierceniu otworów w zaznaczonych miejscach, położyć siłownik na ziemi, podnieść prowadnicę w przedniej części i przymocować ją do nadproża (sufitu) za pomocą dwóch śrub, kołków lub nitów.
- Zamocować wsporniki (I) za pomocą śrub M6x15 (G) i nakrętek M6 (H), wybierając otwór, który pozwala na maksymalne zachowanie wartości B, tak, jak na rys. 25.
- Wykorzystując drabinę, podnieść siłownik aż do oparcia wsporników o strop. Zaznaczyć punkty które mają być wiercone, następnie odłożyć siłownik na ziemię, tak, jak na rys. 26.

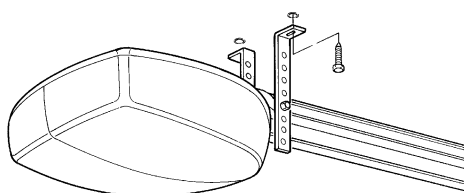


25

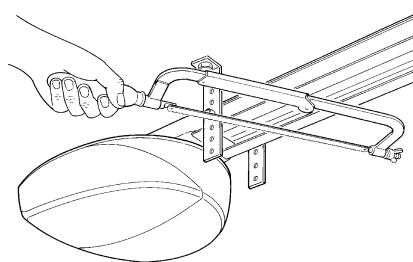


26

- Wykonać uprzednio zaznaczone otwory, następnie, wykorzystując drabinę, podnieść siłownik aż do oparcia wsporników na otworach dopiero co wykonanych i przymocować, wykorzystując śruby lub kołki odpowiednie dla danego sufitu, tak, jak na rys. 27.
- Sprawdzić, czy prowadnica jest ustawiona dokładnie poziomo, następnie za pomocą pilki odciąć wystające części wsporników, jak na rys. 28.

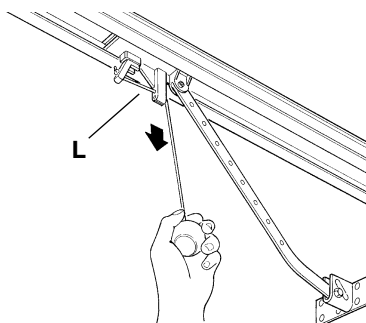


27

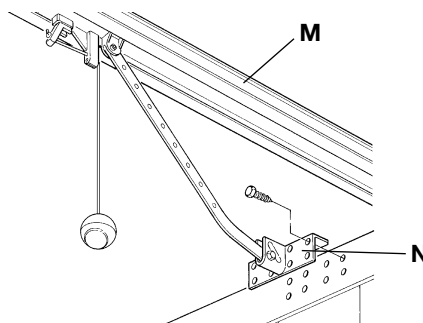


28

- Przy zamkniętej bramie, pociągnąć linkę, aby zwolnić wózek (L), jak na rys. 29.
- Przesunąć wózek aż do zetknięcia wspornika zaczepu skrzydła (N) z górną krawędzią bramy, dokładnie prostopadłe do prowadnicy (M). Następnie zamocować wspornik zaczepu skrzydła (N) za pomocą nitów lub śrub, tak, jak na rys. 30. Użyć śrub lub nitów odpowiednich do rodzaju materiału skrzydła; upewnić się czy są w stanie przenieść siłę niezbędną do otwarcia lub zamknięcia samego skrzydła.

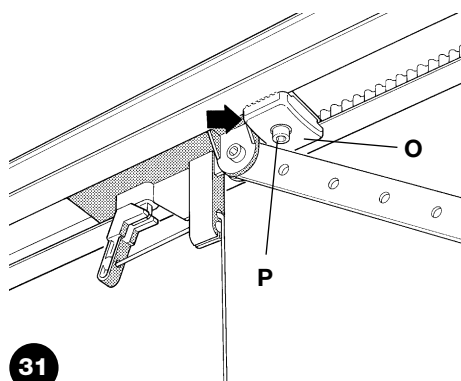


29

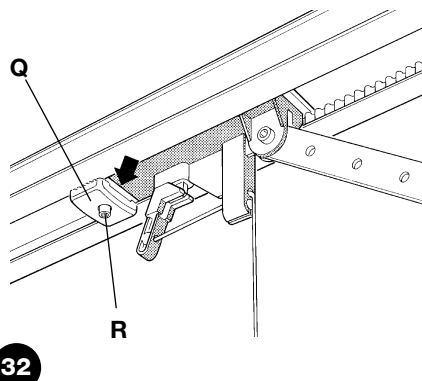


30

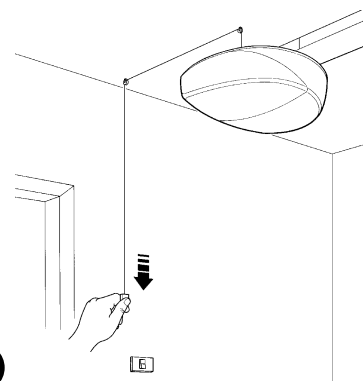
- Poluzować śruby dwóch zderzaków mechanicznych, następnie przesunąć przedni zderzak mechaniczny (O) przed wózek, tak jak na rys. 31. Popchnąć silnie wózek w kierunku zamknięcia, i po osiągnięciu właściwej pozycji dokręcić do oporu uprzednio poluzowane śruby (P).
- Otworzyć ręcznie bramę dożądanego punktu otwarcia, przesunąć zderzak mechaniczny tylniego zatrzymania (Q), przybliżyć do wózka, tak jak na rys. 32 i zablokować dokręcając śrubę do oporu (R).
- Spróbować przesunąć ręcznie bramę. Sprawdzić czy wózek lekko się przesuwa na prowadnicy, bez nadmiernego tarcia i czy manewr jest na tyle łatwy, że nie wymaga użycia dużej siły.
- Ustawić linkę sterowania w wybranym miejscu pomieszczenia; ewentualnie przeciągnąć ją po suficie, przewlekając przez kołki z uszkiem, tak, jak na rys. 33.



31



32



33

PL

### 3.3) Instalowanie innych urządzeń

Wykonać instalację innych, przewidzianych urządzeń przestrzegając odpowiednich instrukcji. Sprawdzić w rozdziale „3.5 Opis połączeń elektrycznych” i na rys. 2, jakie urządzenia mogą być podłączone do silownika SPIN.

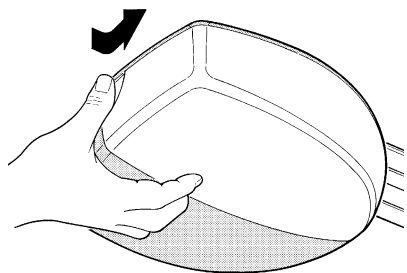
### 3.4) Połączenia elektryczne

**⚠ Wszystkie połączenia elektryczne muszą być wykonane po odcięciu napięcia do urządzenia i z odłączonym ewentualnym akumulatorem awaryjnym.**

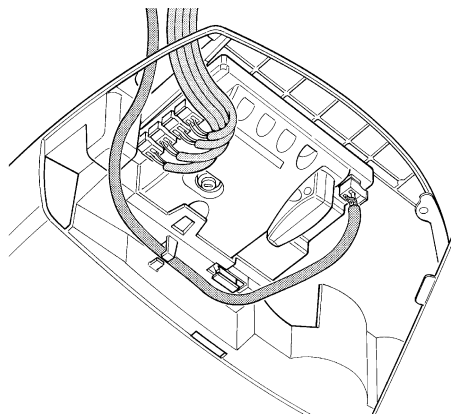
1. Aby otworzyć zabezpieczającą pokrywę i uzyskać dostęp do elektronicznej centrali kontrolnej SPIN należy nacisnąć jej brzeg i obrócić, tak, jak to pokazano na rys. 34.

2. Przełożyć przez otwór przewody przyłączeniowe do innych urządzeń, pozostawić o 20÷30cm dłuższe niż potrzeba. Przełożyć przewód anteny poprzez pierścień zaciskowy przewodu. Patrz tabela Nr 6 - dla rodzaju przewodów i rys. 2 dla połączeń.

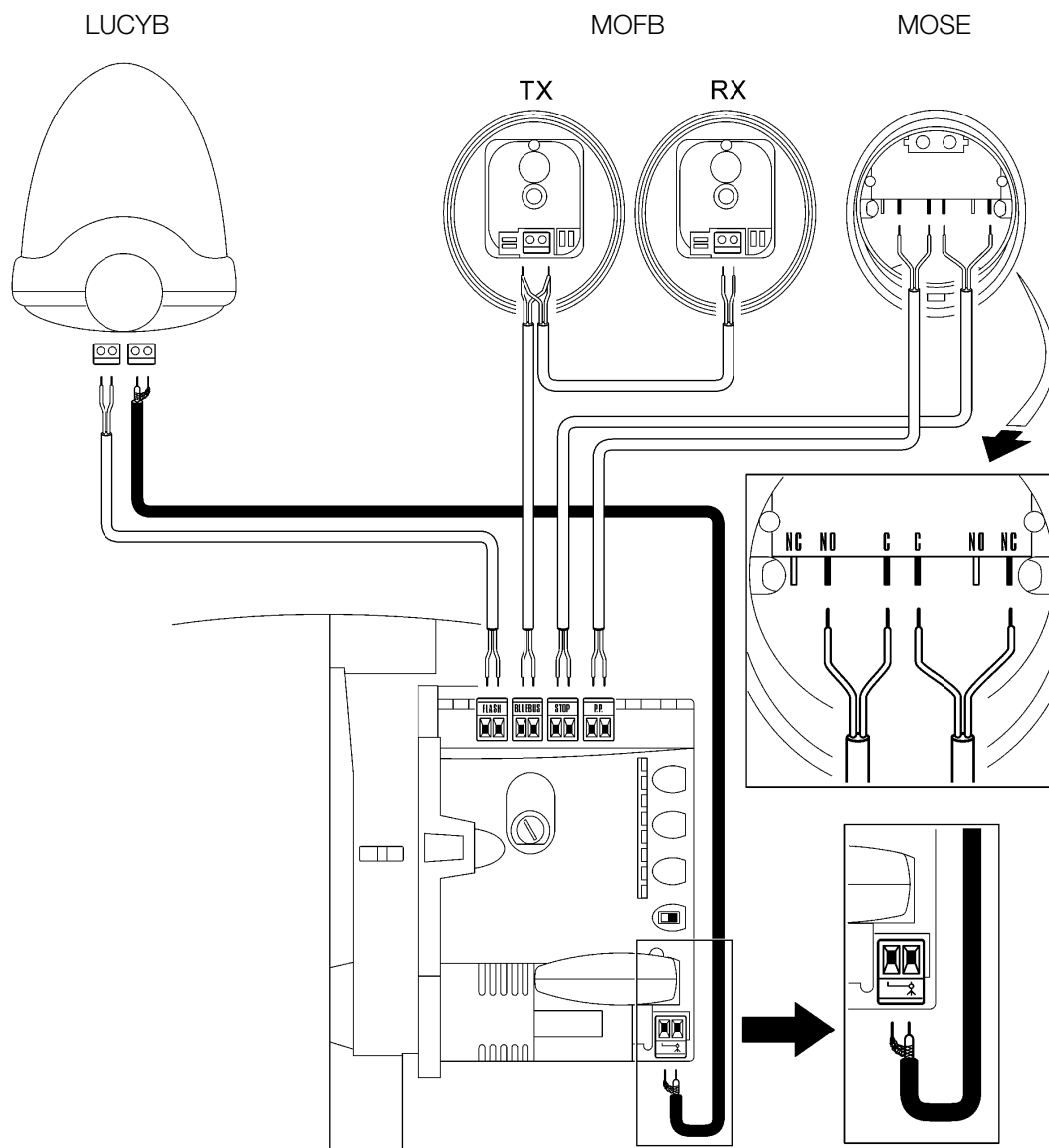
3. Wykonać połączenia przewodów według schematu na rys. 36. Dla ułatwienia tej operacji zaciski są wyjmowane.



34



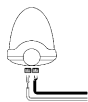
35



36

### 3.5) Opis połączeń elektrycznych

W tym rozdziale znajduje się krótki opis połączeń elektrycznych; dodatkowe informacje znajdują się w rozdziale „7.3 Dodawanie lub demontaż urządzeń”. **FLASH:** to wyjście można programować (patrz rozdział 7.2.4), aby podłączyć jedno z następujących urządzeń:



#### Lampa ostrzegawcza.

Jeśli jest zaprogramowana jako „lampa ostrzegawcza” na wyjściu „FLASH” to można podłączyć lampę NICE „LUCY B” z żarówką 12V/21W taką, jaką stosuje się w samochodach. Podczas manewru miga ona co 1 sek.



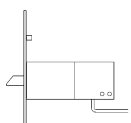
#### Wyjście „lampka sygnalizująca otwartą bramę”

Jeśli wyjście „FLASH” jest zaprogramowane jako „lampka sygnalizująca otwartą bramę”, to można podłączyć tam lampkę kontrolną 24V maksymalnie 5W sygnalizującą otwartą bramę. Pozostaje ona zapalona podczas kiedy brama jest otwarta i gaśnie kiedy brama zostanie zamknięta. Podczas manewru lampka miga powoli podczas otwierania, a podczas zamykania miga szybko.



#### Zapadka

Jeśli wyjście „FLASH” jest zaprogramowane jako „zapadka”, to można podłączyć zapadkę 24V maksymalnie 10W (wersje jedynie z elektromagnesem, bez urządzeń elektronicznych). Kiedy brama jest zamknięta, zapadka jest uaktywniona i blokuje bramę. Podczas manewru otwarcia i zamknięcia nie jest włączona.



#### Elektroblokada

Jeśli wyjście „FLASH” zaprogramowane jest jako „blokada elektryczna” to można podłączyć tam elektrozamek zatraskowy 24V maksymalnie 10W (wersje jedynie z elektromagnesem, bez urządzeń elektronicznych). Podczas manewru otwarcia blokada elektryczna jest włączana na krótką chwilę tak, aby zwolnić bramę i wykonać manewr. Podczas manewru zamykania należy sprawdzić czy blokada elektryczna mechanicznie zaskoczyła w swoje gniazdo.

**⚠ NIE STOSOWAĆ URZĄDZEŃ INNYCH NIŻ PRZEVIDZIANE**

**BLUEBUS:** do tego zacisku można podłączyć kompatybilne urządzenia; wszystkie są łączone równolegle tylko dwoma przewodami, którymi są zasilane, i którymi wysyłają sygnały do centrali. Inne informacje dotyczące BlueBUS znajdują się w rozdziale „7.3.1 „BlueBUS”.

**STOP:** wejście dla urządzeń, które blokują możliwość ruchu lub ewentualnie zatrzymują wykonywany manewr; za pomocą odpowiednich sposobów do tego wejścia można podłączyć styki typu „Normalnie Zamknięty”, „Normalnie Otwarty” lub urządzenia o stałej oporności. Dodatkowe informacje dotyczące STOP znajdują się w rozdziale „7.3.2 Wejście STOP”.

**P.P.:** wejście dla urządzeń, które sterują ruchem; można podłączyć tu styki typu „Normalnie Otwarty”. Pociągnięcie za linkę sterowania powoduje podanie sygnału na wejście PP.

**ANTENA:** wejście do podłączenia anteny do odbiornika radiowego. Antena jest zabudowana w lampie LUCY B, można alternatywnie wykorzystać antenę zewnętrzną albo zostawić kawałek przewodu, który zastąpi antenę i który znajduje się już w zacisku.

## 4) Końcowa kontrola oraz uruchomienie

Przed rozpoczęciem fazy kontroli i rozruchu automatyki zaleca się odłączenie wózka i ustawienie skrzydła w połowie drogi tak, aby mogło się swobodnie poruszać w kierunku otwarcia jak i zamknięcia

### 4.1) Końcowe kontrole i uruchomienie

Aby doprowadzić zasilanie elektryczne do siłownika SPIN wystarczy włożyć jego wtyczkę do gniazdka z prądem. Jeśli wtyczka SPIN nie odpowiada gniazdku elektrycznemu można zastosować adapter ogólnie dostępny w handlu.

**⚠ Nie odcinać lub demontować przewodu jaki jest na wyposażeniu SPIN.**

**Jeśli w pobliżu siłownika Spin nie ma gniazdka elektrycznego, należy zlecić jego wykonanie osobie wykwalifikowanej, posiadającej niezbędne narzędzia i w pełnym poszanowaniu przepisów, norm i uregulowań prawnych.**

**Linia zasilająca musi być zabezpieczona przed zwarciami i upływem do ziemi; urządzenie musi mieć możliwość odłączenia od zasilania na czas montażu i okresowych przeglądów (wygodny jest tutaj system podłączenia poprzez wtyczkę i gniazdko elektryczne).**

Natychmiast po doprowadzeniu napięcia do siłownika SPIN wykonać podstawową kontrolę:

1. Sprawdzić, czy dioda sygnalizacyjna BlueBUS miga regularnie z częstotliwością raz na sekundę.
2. Jeśli są fotokomórki, należy sprawdzić, czy migają również diody kontrolne na fotokomórkach (tak na TX jak i na RX); nie jest ważny rodzaj migania ponieważ uzależniony jest od innych czynników.
3. Sprawdzić, czy urządzenie podłączone do wyjścia FLASH jest wyłączone.
4. Sprawdzić, czy lampka oświetleniowa jest wyłączona.

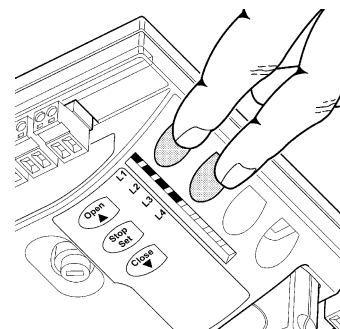
Jeśli tak się nie dzieje należy natychmiast wyłączyć zasilanie centrali i sprawdzić uważnie połączenia elektryczne

Inne informacje, niezbędne do wyszukiwania i diagnozy uszkodzeń są podane w rozdziale 7.6 „Rozwiązywanie problemów”

#### 4.2) Rozpoznanie dołączonych urządzeń

Po podłączeniu zasilania należy doprowadzić do tego, aby centrala rozpoznała urządzenia podłączone do wejść BlueBUS i STOP. Przed tą fazą diody kontrolne L1 i L2 migają, wskazując, że należy wykonać fazę rozpoznania urządzeń

**⚠ Faza rozpoznawania urządzeń musi być wykonana również wtedy, gdy nie ma żadnego urządzenia podłączonego do centrali.**



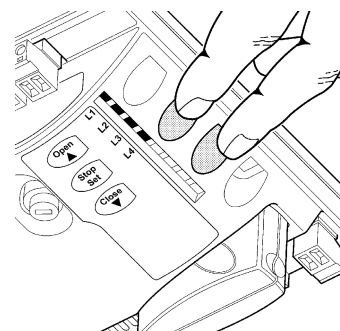
37

1. Wcisnąć i trzymać wciśnięte przyciski **[s]** i **[Set]**
  2. Zwolnić przyciski kiedy diody L1 i L2 zaczną bardzo szybko migać (po około 3 sekundach)
  3. Odczekać kilka sekund, aż centrala skończy rozpoznawanie urządzeń
  4. Po zakończeniu rozpoznania dioda STOP musi pozostać zapalona, diody L1 i L2 zgasną (ewentualnie zaczną migać diody L3 i L4).
- Faza rozpoznania podłączonych urządzeń może być powtórzona w jakimkolwiek momencie, również (koniecznie) po zainstalowaniu dodatkowego urządzenia; informacje dotyczące fazy ponownego wczytywania znajdują się w paragrafie „7.3.4 Rozpoznawanie innych urządzeń”.

#### 4.3) Programowanie pozycji otwarcia i zamknięcia bramy.

Po rozpoznaniu urządzeń należy wykonać fazę programowania pozycji otwarcia i zamknięcia bramy. W tej fazie jest odczytywany skok bramy od zatrzymania na zderzaku mechanicznym zamknięcia do zderzaka otwarcia.

Sprawdzić, czy pasek przesuwu jest dobrze napięty i czy dwa zderzaki mechaniczne są dobrze dokręcone.



38

1. Podłączenie wózka.
2. Wcisnąć i trzymać wciśnięte przyciski **[tj]** i **[Set]**.
3. Zwolnić przyciski kiedy rozpocznie się manewr (po około 3 sekundach).
4. Odczekać aż centrala wykona programowanie: zamknięcie, otwarcie i ponowne zamknięcie bramy.
5. Pociągnąć za linkę sterowania, aby całkowicie otworzyć bramę.
6. Pociągnąć za linkę sterowania w celu wykonania zamknięcia.

Podczas tych manewrów centrala zapamiętuje siłę niezbędną dla ruchów otwierania i zamykania. Jeśli po ukończeniu programowania lampki kontrolne LED L3 i L4 migają, to oznacza że wystąpił błąd; patrz rozdział „7.6 Rozwiązywanie problemów”.

**Ważnym jest, aby te pierwsze manewry nie były przerywane, na przykład przez wydanie polecenia STOP. Jeśli tak by się stało, należy ponownie przeprowadzić operację od punktu 1.**

Faza rozpoznawania pozycji może być powtórzona w jakimkolwiek momencie, również po instalacji (na przykład jeśli zostanie przesunięty jeden ze zderzaków mechanicznych); wystarczy ją powtórzyć od punktu 1.

**⚠ Jeśli pasek nie jest dostatecznie naciągnięty podczas odszukiwania pozycji, pomiędzy nim i zębatką może stworzyć się poślizg. Jeśli tak się zdarzy, należy przerwać ruch naciskając przycisk [Stop]; naciągnąć pasek dokręcając nakrętkę M8 (D) tak, jak pokazano na rys. 11; następnie powtórzyć operację, zaczynając od punktu 1.**

#### 4.4) Kontrola ruchu bramy

Po ustaleniu pozycji otwarcia i zamknięcia, zaleca się wykonanie kilku manewrów, aby sprawdzić prawidłowość ruchu bramy.

1. Wcisnąć przycisk **[Open]**, aby wykonać manewr „Otwarcie”; sprawdzić, czy otwieranie bramy przebiega bez zmiany prędkości; jedynie kiedy skrzydło znajduje się w odległości od 30 do 20cm od zderzaka mechanicznego otwarcia musi zwolnić i zatrzymać się w odległości 2÷3cm od zderzaka.
2. Wcisnąć przycisk **[Close]**, aby wykonać manewr „Zamknięcie”; sprawdzić czy zamykanie bramy przebiega bez zmiany prędkości; jedynie kiedy skrzydło znajduje się w odległości od 30 do 20cm od zderzaka mechanicznego zamknięcia musi zwolnić i następnie zatrzymać się po zadziałaniu wyłącznika krańcowego. Następnie wykonywany jest krótki manewr otwarcia w celu uniknięcia nadmiernego naciągu paska.
3. Podczas manewru sprawdzić, czy lampa ostrzegawcza (jeśli jest), miga w cyklach: 0,5 sekundy zapalona i 0,5 sekundy zgaszona.
4. Wykonać kilka manewrów otwierania i zamykania w celu wychwycenia ewentualnych usterek montażu i regulacji lub innych anomalii na przykład momentów zwiększonego tarcia.
5. Sprawdzić, czy mocowanie siłownika, prowadnicy i zderzaków mechanicznych jest pewne, stabilne i odpowiednio wytrzymałe również podczas silnych przyspieszeń lub zwolnień ruchu bramy.



#### 4.5) Funkcje fabrycznie ustawione

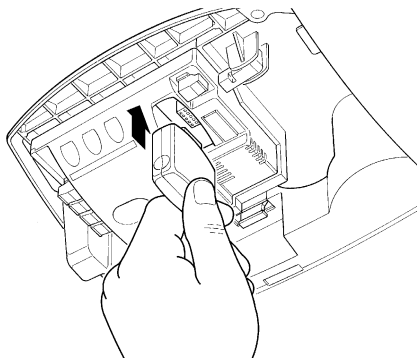
Centrala kontrolna SPIN posiada szereg funkcji, które można regulować. Fabrycznie funkcje te ustawione są w takiej konfiguracji, jaka powinna zadowolić większość użytkowników.

Funkcje te mogą być w każdej chwili zmienione według odpowiedniej procedury programowania, w tym celu patrz rozdział „7.2 Programowanie”.

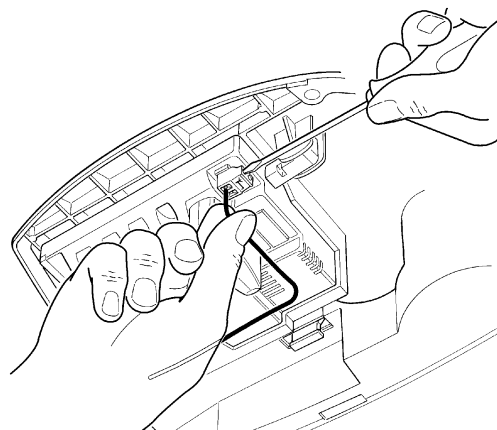
#### 4.6) Odbiornik radiowy

Do zdalnego sterowania silownika SPIN w centrali kontrolnej zamontowane jest złącze SM przeznaczone dla odbiorników radiowych typu SMXI lub SMXIS. W SPIN20KCE i SPIN21K odbiornik radiowy jest już podłączony.

Aby podłączyć odbiornik radiowy do SPIN30, SPIN40 SN6031 i SN6041 wykonać czynności przedstawione na rys. 39 i 40.



39



40

1. Wcisnąć odbiornik radiowy naciskając lekko
2. Jeśli antena zabudowana w LUCY B, ani innego typu antena zewnętrzna nie jest używana, należy dokręcić sztywny przewód jaki jest w wyposażeniu odbiornika do zacisku anteny.

#### 4.6.1) Wczytywanie nadajników

Każdy nadajnik radiowy jest rozpoznawany przez odbiornik za pomocą „kodu”, innego dla każdego nadajnika. Niezbędna jest więc faza „wczytywania”, dzięki której odbiornik rozpoznaje kod każdego wczytanego nadajnika. Wczytywanie nadajników może być wykonane 2 trybami:

**Tryb I:** według tego trybu funkcja przycisków nadajnika jest stała i każdemu przyciskowi odpowiada w centrali polecenie podane w tabeli Nr 7; dla każdego nadajnika wystarcza jedna faza wczytywania, podczas której będą wczytane wszystkie przyciski. Podczas tej fazy nie jest istotne, który przycisk został wciśnięty i zostaje zajęte tylko jedno miejsce w pamięci odbiornika. W trybie I, zwykle jeden nadajnik może sterować tylko jednym systemem automatki.

**Tryb II:** W tym trybie każdy, pojedynczy przycisk nadajnika może być przypisany jednemu z 4 możliwych poleceń centrali podanych w tabeli Nr 8; za każdym razem zostaje zapamiętany tylko jeden przycisk - ten, który był wciśnięty podczas fazy wczytywania. Każdy wczytany przycisk zajmuje w pamięci jedno miejsce..

W trybie II różne przyciski tego samego nadajnika mogą być użyte, aby przekazać różne polecenia temu samemu automatowi, albo aby sterować większą ilością automatów. Na przykład, w tabeli Nr 9, jest sterowany jedynie automat „A” a przyciski T3 i T4 są przypisane temu samemu poleceniu; albo w przykładzie w tabeli Nr 10, gdzie steruje się 3 automatami: „A” (przyciski T1 i T2), „B” (przycisk T3) i „C” (przycisk T4).

**⚠ Ponieważ procedury wczytywania mają czas ograniczony do 10 sekund, należy najpierw przeczytać instrukcje podane w następujących rozdziałach a następnie je zastosować.**

**Tabela Nr 7: wczytywanie Tryb I**

Przycisk T1	Polecenie „Krok po kroku”
Przycisk T2	Polecenie „Otwarcie częściowe”
Przycisk T3	Polecenie „Otwiera”
Przycisk T4	Polecenie „Zamyka”

Uwaga: nadajniki jednokanałowe posiadają jedynie przycisk T1, nadajniki dwukanałowe posiadają jedynie przyciski T1 i T2.

**Tabela Nr 8: dostępne funkcje w Trybie II**

1	Polecenie „Krok po kroku”
2	Polecenie „Otwarcie częściowe”
3	Polecenie „Otwiera”
4	Polecenie „Zamyka”

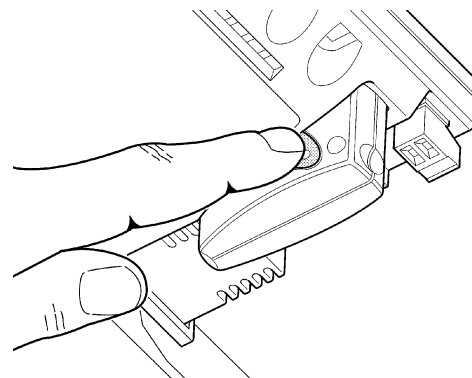
**Tabela Nr 9: 1-szy przykład wczytania w Trybie II**

Przycisk T1	Polecenie „Otwiera”	Automat A
Przycisk T2	Polecenie „Zamyka”	Automat A
Przycisk T3	Polecenie „Otwarcie częściowe”	Automat A
Przycisk T4	Polecenie „Otwarcie częściowe”	Automat A





**Tabela Nr 10: 2-gi przykład wczytania w trybie II**

Przycisk T1	Polecenie „Otwiera”	Automat A
Przycisk T2	Polecenie „Zamyka”	Automat A
Przycisk T3	Polecenie „Krok po kroku”	Automat B
Przycisk T4	Polecenie „Krok po kroku”	Automat C

#### 4.6.2) Wczytywanie w Trybie I







41

Tabela Nr 11: aby wczytać nadajnik w trybie I		Przykład
1.	Wcisnąć i trzymać wciśnięty przycisk na odbiorniku (przez około 3 sekundy)	 3s
2.	Zwolnić przycisk kiedy zapali się dioda sygnalizacyjna na odbiorniku	
3.	W ciągu 10 sekund wcisnąć na co najmniej 2 sekundy jakiegokolwiek przycisk nadajnika, który chcemy wczytać	 2s
4.	Jeśli zapamiętanie zostało zakończone sukcesem, to dioda sygnalizacyjna na odbiorniku 3 razy mignie	 x3

Jeśli mamy inne nadajniki do wczytania, należy powtórzyć punkt 3 w ciągu następnych 10 sekund. Faza zapamiętania kodów kończy się, jeśli w ciągu 10 sekund nie są wysłane żadne nowe kody

#### 4.6.3) Wczytywanie w Trybie II

Tabela Nr 12: aby wczytać nadajnik w trybie II		Przykład
1.	Wcisnąć (krótkie, szybkie naciśnięcia) przycisk odbiornika tyle razy, ile wynosi numer funkcji według tabeli Nr 8.	 1...4
2.	Sprawdzić, czy dioda kontrolna odbiornika miga tyle razy jaki jest numer wybranej funkcji	 1...4
3.	W ciągu 10 sekund wcisnąć przez co najmniej 2 sekundy ten przycisk nadajnika, który chcemy wczytać	 2s
4.	Jeśli zapamiętanie zostało zakończone sukcesem, to dioda sygnalizacyjna na odbiorniku 3 razy mignie	 x3







Jeśli chcemy przypisać temu samemu poleceniu inne nadajniki, należy w ciągu następnych 10 sekund powtórzyć punkt 3. Faza zapamiętywania kodów kończy się, jeśli w ciągu 10 sekund nie wysłane zostaną inne kody.

#### 4.6.4) Wczytywanie "na odległość"

Można wczytać nowy nadajnik bez bezpośredniego dostępu do odbiornika; aby przeprowadzić takie działanie należy posiadać już wczytany i działający nadajnik. Nowy nadajnik "otrzyma" charakterystyki tego, który został uprzednio zapamiętany; tak więc, jeśli pierwszy nadajnik jest zapamiętany w trybie I to również nowy zostanie zapamiętany w trybie I. Naciskamy wtedy dowolne przyciski w obu nadajnikach. Jeśli natomiast już działający nadajnik jest zapamiętany w Trybie II, to również nowy będzie zapamiętany w trybie II i istotne jest, aby wcisnąć w pierwszym nadajniku przycisk wywołujący żądane polecenie a w drugim (nowym) nadajniku przycisk, który ma być przypisany temu poleceniu.


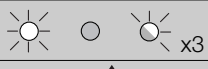


**⚠ Wczytanie na odległość nastąpi we wszystkich odbiornikach jakie znajdują się w promieniu zasięgu nadajników; należy więc doprowadzić zasilanie jedynie do tego, jaki chcemy ustawić.**

Z dwoma nadajnikami ustawić się w zasięgu odbiornika i wykonać następujące kroki:

Tabela Nr 13: aby wczytać nadajnik "na odległość"		Przykład
1.	Wcisnąć na co najmniej przez 5 sekund przycisk „nowego” nadajnika radiowego, następnie przycisk zwolnić.	 5s 
2.	Wcisnąć powoli 3 razy przycisk na nadajniku już zapamiętanym.	 1s  1s  1s
3.	Wcisnąć powoli 1 raz przycisk na nowym nadajniku radiowym.	 1s

Teraz nowy nadajnik radiowy zostanie rozpoznany przez odbiornik i przejmie charakterystyki jakie miał nadajnik już zapamiętany. Jeśli mamy inne nadajniki do zapamiętania, należy powtórzyć wszystkie kroki dla każdego nowego nadajnika.

#### 4.6.5) Usuwanie z pamięci kodów nadajników radiowych

	Przykład
1. Wcisnąć i trzymać wciśnięty przycisk na odbiorniku	
2. Poczekać aż zaświeci się dioda kontrolna, potem zgaśnie, a następnie mignie 3 razy	
3. Zwolnić przycisk dokładnie podczas 3 mignięcia (po zapaleniu, ale przed zgaszeniem)	
4. Jeśli procedura została prawidłowo zakończona, po chwili dioda kontrolna mignie 5 razy	

#### 4.6.6) Deklaracja zgodności odbiornika i nadajników radiowych.

##### Deklaracja zgodności

Nº: 151/SMXI


Wyd. 03

Nice S.p.a., Via Pezza Alta 13, 31046 Rustignè di Oderzo (TV) Italia.

Firma NICE S.p.a. oświadcza, że odbiorniki radiowe model SMXI i SMXIS wraz z odpowiednimi nadajnikami FLO2R-S i SM2 odpowiadają podstawowym warunkom Dyrektywy R&TTE 1999/5/CE, do użytku do jakiego są przeznaczone.

Wyprodukowano w Klasie 1, Pod-klasa 20

Data: 19 Marzec 2004

  
(Zarządca Pełnomocny)  
Lauro Buoro

### 5) Odbiór i przekazanie do eksploatacji

Jest to najważniejsza faza wykonania automatyzacji, która ma na celu zapewnienie maksymalnego bezpieczeństwa.

Procedura odbioru może służyć również jako okresowa kontrola urządzeń, które składają się na system automatyki.

**⚠ Odbiór całego urządzenia musi być przeprowadzony przez doświadczony i wykwalifikowany personel, który musi wykonać obowiązujące próby, zgodnie z istniejącymi zagrożeniami i z pełnym przestrzeganiem tego co przewiduje prawo, normatywy i uregulowania, a w szczególności zgodnie z wszystkimi warunkami normy EN 12445, która ustala metody prób i testów automatyki dla drzwi i bram.**

#### 5.1) Próby odbiorcze.

Każdy element automatyki, na przykład czujniki krawędziowe, fotokomórki, obwód zatrzymania awaryjnego itp., wymagają specyficznej fazy odbioru; dla tych urządzeń będzie trzeba wykonać procedury podane w odpowiednich dla nich instrukcjach.

W czasie odbioru siłownika SPIN należy wykonać następujące operacje:

1. Sprawdzić, czy warunki zawarte w rozdziale 1 „OSTRZEŻENIA” zostały rygorystycznie spełnione.
2. Odblokować bramę ciągnąc za linkę wysprzęglającą w kierunku do dołu. Sprawdzić czy można otworzyć lub zamknąć bramę z siłą nie większą od 225N.
3. Ponownie zaczepić wózek.
4. Wykorzystując przełącznik lub nadajnik radiowy albo linkę sterowania, wykonać próby zamknięcia i otwarcia bramy oraz sprawdzić, czy ruch jest taki jaki został przewidziany.
5. Należy wykonać różne próby kilkakrotnie, sprawdzając płynność przesuwu bramy, a także obecność ewentualnych wad w montażu i regulacji jak i ewentualne punkty, gdzie występuje zwiększone tarcie.
6. Zweryfikować po kolei właściwe funkcjonowanie wszystkich urządzeń zabezpieczających (fotokomórki, czułe krawędzie, itd.).  
W szczególności, za każdym razem, kiedy zadziała któreś urządzenie, dioda “BlueBUS”, znajdująca się na centrali, wykonuje 2 szybkie mignięcia jako potwierdzenie, że centrala rozpoznała zdarzenie.

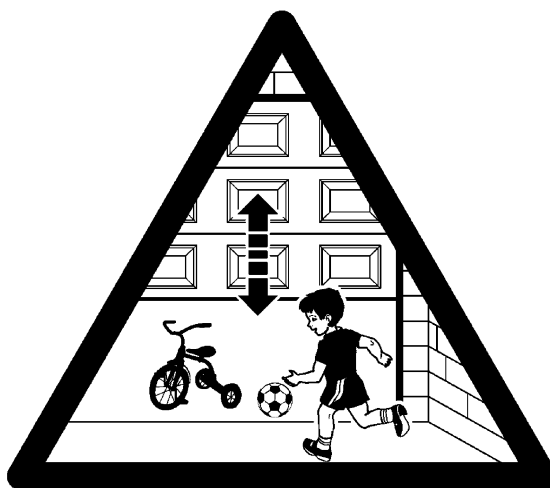
7. Po kontroli stanu fotokomórek, po sprawdzeniu czy nie ma interferencji z innymi urządzeniami, przesunąć cylinder (o wymiarach: średnica - 5 cm, długość - 30cm) przecinając oś optyczną: Zrobić to w pobliżu TX, później przy RX i następnie po środku: sprawdzić, czy w tych przypadkach urządzenie przejdzie ze stanu aktywnego w stan alarmowy i na odwrót, czy spowoduje prawidłową reakcję centrali, np.: w ruchu zamykania spowoduje zmianę kierunku ruchu.
8. Jeśli niebezpieczne sytuacje wywołane ruchem skrzydła zostały zlikwidowane poprzez zmniejszenie siły uderzenia, należy wykonać pomiar siły według tego co przewidziano w normie EN 12445. Jeśli regulacja “Prędkość” i kontrola “Siły silnika” są użyte jako pomoc w systemie zmniejszenia siły uderzenia, należy próbować i znaleźć taką regulację, która da najlepszy wynik.

PL

## 5.2) Rozruch

Przekazanie do pracy może nastąpić dopiero po wykonaniu z wynikiem pozytywnym wszystkich faz odbioru. Niedozwolone jest przekazanie częściowe lub „tymczasowe”.

1. Przez co najmniej 10 lat trzeba przechowywać dokumentację techniczną automatyki, która powinna zawierać: rysunek złozeniowy automatyki, schemat połączeń elektrycznych, analizę zagrożeń wraz z odpowiednimi, zastosowanymi rozwiązaniami, świadectwo zgodności producenta wszystkich użytych urządzeń (dla SPIN użyć załączonego Świadectwa Zgodności CE); kopie instrukcji użytkownika i harmonogram konserwacji automatyki.
2. Zamocować na bramie w sposób stały etykietkę lub tabliczkę ze wskazanymi operacjami do odblokowania oraz manewru ręcznego (wykorzystać rysunki znajdujące się w "Instrukcji i ostrzeżeniach przeznaczonych dla użytkownika siłownika SPIN").
3. Zamocować w sposób trwały na bramie etykietkę lub tabliczkę z tym rysunkiem (minimalna wysokość 60mm).
4. Na bramie należy zamocować tabliczkę zawierającą przynajmniej następujące dane: rodzaj automatu, nazwę i adres producenta (osoby odpowiedzialnej za dopuszczenie do użytkowania), numer urządzenia, rok produkcji i oznaczenie "CE"
5. Opracować i przekazać właścicielowi świadectwo zgodności automatyki.
6. Opracować i przekazać właścicielowi podręcznik z "Instrukcją i ostrzeżeniami do używania automatyki".
7. Wykonać i dostarczyć właścicielowi automatyki harmonogram konserwacji (zawierający wytyczne do konserwacji wszystkich urządzeń wchodzących w skład automatyki).
8. Przed przekazaniem automatyki do pracy poinformować w odpowiedni sposób na piśmie właściciela (na przykład na podręczniku z instrukcjami i ostrzeżeniami do używania automatyzacji) o niebezpieczeństwach i zagrożeniach związanych z pracą urządzenia



42

## 6) Konserwacja i utylizacja

W tym rozdziale podane są informacje dotyczące wykonania harmonogramu konserwacji i utylizacji SPIN.

### 6.1) Czynności konserwacyjne

W celu utrzymania stałego poziomu bezpieczeństwa i zapewnienia maksymalnego czasu użytkowania całej automatyki, niezbędna jest regularna konserwacja.

**⚠ Czynności konserwacyjne należy wykonać ściśle przestrzegając norm bezpieczeństwa umieszczonych w niniejszej instrukcji, według prawa i norm aktualnie obowiązujących.**

Dla urządzeń innych niż SPIN, należy przestrzegać odpowiednich dla nich harmonogramów konserwacji.

1. Dla siłowników SPIN niezbędny przegląd należy zaplanować co 6 miesięcy lub co 3000 cykli pracy:

2. Odłączyć od siłownika jego zasilanie (również akumulator awaryjny, jeśli jest używany).
3. Sprawdzić i ocenić stan zużycia wszystkich podzespołów automatyki ze szczególnym uwzględnieniem zjawiska korozji lub oksydacji elementów konstrukcyjnych; wymienić elementy, które nie gwarantują odpowiedniego działania.
4. Sprawdzić stan zużycia elementów ruchomych: pasa, wózka, kół zębatach i wszystkich elementów skrzydła, wymienić części zużyte.
5. Ponownie podłączyć zasilanie elektryczne i wykonać wszystkie próby i kontrole przewidziane w rozdziale „5.1 Próby odbiorcze”.

### 6.2) Utylizacja

Siłownik SPIN jest wykonany z różnego rodzaju materiałów, niektóre z nich mogą być odzyskiwane; stal, aluminium, tworzywa sztuczne, przewody elektryczne; inne muszą być utylizowane: baterie i obwody elektroniczne.

**⚠ Niektóre elementy mogą zawierać substancje trujące, nie wolno ich porzucać w przypadkowych miejscach. Zapoznać się ze sposobami recyklingu i dostosować się do aktualnie obowiązujących w tym zakresie norm.**

1. Odłączyć zasilanie elektryczne, łącznie z ewentualnym dodatkowym akumulatorem
2. Zdemontować wszystkie urządzenia i akcesoria w kolejności odwrotnej do podanej w rozdziale „3 Instalowanie”
3. Oddzielić, o ile to możliwe, części, które mogą być poddane recyklingowi lub utylizacji w inny sposób, na przykład elementy metalowe od elementów z tworzyw sztucznych, obwody elektroniczne, baterie itp.
4. Rozdzielić i przekazać różne, tak posortowane materiały do regionalnych punktów zajmujących się odzyskiwaniem materiałów wtórnych.

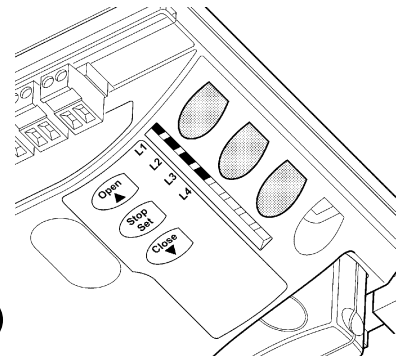
## 7) Rozszerzenie wiadomości

W tym rozdziale są opisane możliwości programowania, personalizacji, diagnostyki i odszukiwania usterek w SPIN.

### 7.1) Przyciski do programowania

Na centrali SPIN znajdują się 3 przyciski, które mogą być użyte tak do sterowania centrali podczas prób jak i do programowania:

<b>Open</b> s	Przycisk "OPEN" służy do sterowania otwarciem bramy albo na przesunięcie w górę punktu programowania.
<b>Stop</b> Set	Przycisk "STOP" służy do zatrzymania manewru, jeśli pozostanie wciśnięty przez dłużej niż 5 sekund służy do wejścia w programowanie.
<b>Close</b> t	Przycisk "CLOSE" służy do sterowania zamknięciem bramy lub na przesunięcie w dół punktu programowania.



43

### 7.2) Programowanie

W centrali sterującej siłownikiem SPIN do dyspozycji są funkcje, które można programować; regulacja funkcji odbywa się za pomocą 3 przycisków znajdujących się na centrali [s] [Set] [t] i jest uwidoczniiona za pomocą 4 diod L1....L4.

Funkcje programowalne, które są do dyspozycji w siłowniku SPIN rozmieszczone są na 2 poziomach:

**Poziom pierwszy** funkcje regulowane w trybie ON-OFF (aktywna lub nieaktywna); w tym przypadku każda dioda LED: L1....L4 wskazuje daną funkcję, jeśli się pali to funkcja jest aktywna, jeśli zgaszona to funkcja nie jest aktywna; patrz tabela Nr 15.

**Poziom drugi:** parametry, które można regulować na skali wartości (wartości od 1 do 4); w tym przypadku każda dioda LED: L1....L4 wskazuje wartość wybraną z 4 możliwości; patrz tabela Nr 17.

#### 7.2.1) Funkcje pierwszego poziomu (funkcje ON-OFF)




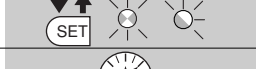

Tabela Nr 15: wykaz programowalnych funkcji: poziom pierwszy

Dioda	Funkcja	Opis
L1	Zamknięcie automatyczne	Ta funkcja pozwala na automatyczne zamknięcie bramy po zaprogramowanym czasie przerwy, fabryczny czas przerwy jest ustawiony na 20 sekund, ale może być on zmieniony na 10, 20, 40 i 80 sekund (patrz tabela 17). Jeśli funkcja nie jest uaktywniona, to działanie jest "półautomatyczne".
L2	Zamknij po Foto	Po „zwolnieniu” linii fotokomórek (fotografia I i fotografia II), ta funkcja powoduje „Automatyczne Zamknięcie” z „Czasem Zwłoki” wynoszącym 5 sekund, również wtedy, kiedy czas przerwy jest ustawiony na większe wartości; zachowanie zmienia się zgodnie z tym, czy włączy się lub nie „Automatyczne Zamknięcie”. <b>Z „Automatycznym Zamykaniem” włączonym:</b> manewr otwierania zatrzymuje się natychmiast po „zwolnieniu” fotokomórek i po 5 sekundach rozpoczyna manewr zamykania. Jeśli funkcja „Zamknij Po Foto” nie jest włączona, to czas przerwy będzie taki jaki był zaprogramowany. <b>Z „Automatycznym Zamknięciem” wyłączonym:</b> manewr otwierania nie zostanie przerwany, ale „zwolnienie” fotokomórek powoduje włączenie „Automatycznego Zamykania” z „Czasem Przerwy” wynoszącym 5 sekund. Jeśli funkcja „Zamknij Po Foto” nie jest włączona, to nie nastąpi automatyczne zamknięcie.
L3	Siła silnika	Ta funkcja pozwala na wybranie czułości kontroli mocy silnika aby dostosować ją do rodzaju bramy. Jeśli ta funkcja jest włączona, to czułość odpowiada bramom o mniejszych wymiarach i lżejszym. Jeśli ta funkcja jest wyłączona, to jest bardziej przydatna dla bram o większych wymiarach oraz cięższych.
L4	Stand-By	Ta funkcja pozwala na maksymalne zmniejszenie zużycia energii, jest przydatna szczególnie przy pracy z akumulatorem awaryjnym. Jeśli ta funkcja jest włączona, to, po upływie 1 minuty od zakończenia manewru, centrala wyłącza wyjście BlueBUS (a więc i urządzenia) oraz wszystkie diody za wyjątkiem diody BlueBUS, która będzie migła wolniej. Jeśli funkcja nie jest włączona to nie będzie zmniejszenia zużycia energii w czasie bezczynności automatyki.

Podczas normalnej pracy siłownika SPIN, diody kontrolne L1....L4 są zapalone lub zgaszone zgodnie ze stanem funkcji jaką reprezentują, na przykład L1 pali się jeśli jest włączone „Zamykanie Automatyczne”.

### 7.2.2 Programowanie pierwszego poziomu (funkcje ON-OFF)

Fabrycznie funkcje pierwszego poziomu są wszystkie ustawione na „OFF”, ale mogą być zmienione w każdym momencie tak jak przedstawiono w tabeli Nr 16. Należy pamiętać tu, że maksymalny czas od wciśnięcia jednego przycisku do wciśnięcia następnego wynosi 10s, w przeciwnym razie procedura zostaje zakończona automatycznie, zapamiętując zmiany wykonane do tego momentu.

Tabela Nr 16: aby zmienić funkcje ON-OFF		Przykład
1.	Wcisnąć i trzymać wciśnięty przycisk <b>[Set]</b> przez około 3 sekundy	
2.	Zwolnić przycisk <b>[Set]</b> , kiedy dioda L1 zacznie migać	
3.	Wcisnąć przyciski <b>[s]</b> lub <b>[t]</b> , aby zamienić pozycję migającej diody na diodę i odpowiadającą funkcji, która ma być zmieniona	
4.	Nacisnąć przycisk <b>[Set]</b> , aby zmienić stan funkcji (miganie krótkie = OFF; miganie długie = ON)	
5.	Odczekać 10 sekund, aby wyjść z programowania	

Uwaga: punkty 3 i 4 mogą być powtórzone podczas tej samej fazy programowania w celu wprowadzenia ON lub OFF dla innych funkcji

### 7.2.3 Funkcje poziomu drugiego (parametry regulowane)

Tabela Nr 17: wykaz programowalnych funkcji według poziomu				
Dioda wejścia	Parametr	Dioda (poziom)	wartość	Opis
L1	Czas Przerwy	L1	10 sekund	Reguluje czas przerwy, to znaczy czas między otwarciem a zamknięciem automatycznym. Działa jedynie jeśli zamykanie automatyczne jest włączone
		L2	20 sekund	
		L3	40 sekund	
		L4	80 sekund	
L2	Funkcja P.P.	L1	Otwiera – stop –zamyka – stop	Reguluje kolejność poleceń związanych z wejściem „Krok Po Kroku” albo przy poleceniu radiowym z 1-go kanału (patrz tabele 7 i 8).
		L2	Otwiera – stop – zamyka - otwiera	
		L3	Funkcja zespołu mieszkalnego	
		L4	Tryb ręczny	
L3	Prędkość silnika	L1	Bardzo Wolno	Reguluje prędkość silnika podczas ruchu zasadniczego
		L2	Powoli	
		L3	Średnio	
		L4	Szybko	
L4	Lampka kontr.	L1	Otwartej bramy	Wybiera urządzenie podłączone do wyjścia FLASH
		L2	Sygn. świetlna	
		L3	Elektro - blokada	
		L4	Zapadka	




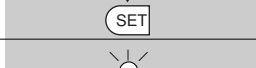




Uwaga: “■” przedstawia ustawienie fabryczne

Wszystkie parametry mogą być dowolnie regulowane bez żadnych ograniczeń; jedynie ustawienie urządzenia podłączonego do wyjścia „FLASH” wymaga szczególnej uwagi.

**⚠ Przed podłączeniem urządzenia do wyjścia “FLASH” należy się upewnić czy zaprogramowana została właściwa funkcja. W przeciwnym wypadku istnieje ryzyko uszkodzenia podłączonego urządzenia.**

### 7.2.4 Programowanie drugiego poziomu (parametry regulowane)


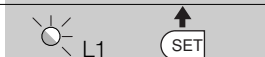

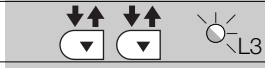


Fabrycznie parametry regulowane są ustawione tak, jak w tabeli Nr 17, czyli: “■”, ale mogą być zmienione w jakimkolwiek momencie, zgodnie z tym co podano w tabeli Nr 18. Należy pamiętać, że maksymalny czas od wciśnięcia jednego przycisku do wciśnięcia następnego wynosi 10 sekund, po jego przekroczeniu procedura zostaje zakończona automatycznie zapamiętując zmiany wykonane do tego momentu.

Tabela Nr 18: aby zmienić parametry regulowane		Przykład
1.	Wcisnąć i trzymać wciśnięty przycisk <b>[Set]</b> przez około 3 sekundy.	
2.	Zwolnić przycisk <b>[Set]</b> , kiedy dioda kontrolna L1 zacznie migać.	
3.	Wcisnąć przyciski <b>[s]</b> lub <b>[t]</b> , aby zamienić pozycję migającej diody na „diodę wejścia” która odpowiada parametrowi, który ustawiamy.	
4.	Wcisnąć i trzymać wciśnięty przycisk <b>[Set]</b> . Przycisk <b>[Set]</b> musi być wciśnięty pomiędzy krokiem 5 i 6.	
5.	Odczekać około 3 sekundy, następnie zapali się dioda kontrolna przedstawiająca aktualny poziom regulowanego parametru.	
6.	Wcisnąć przycisk <b>[s]</b> lub <b>[t]</b> , aby zamienić położenie zapalanej diody, która przedstawia wartość parametru.	
7.	Zwolnić przycisk <b>[Set]</b> .	
8.	Odczekać 10 sekund, aby wyjść z programowania.	

Uwaga: punkty od 3 do 7 mogą być powtórzone podczas tej samej fazy programowania w celu regulacji większej ilości parametrów.

### 7.2.5) Przykład programowania poziomu pierwszego (funkcje ON-OFF)


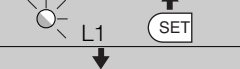





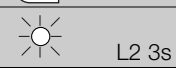



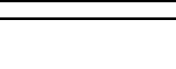
Jako przykład przedstawiona jest sekwencja czynności, służąca do modyfikacji ustawień fabrycznych i włączenia funkcji „Zamykanie Automagiczne” (L1) i „Siła silnika” (L3).

Tabela Nr 19: przykład programowania pierwszego poziomu		Przykład
1.	Wcisnąć i trzymać wciśnięty przycisk <b>[Set]</b> przez około 3 sekundy	
2.	Zwolnić przycisk <b>[Set]</b> , kiedy dioda kontrolna L1 zacznie migać	
3.	Wcisnąć jeden raz krótko przycisk <b>[Set]</b> , aby zmienić stan funkcji powiązanej z L1 (Zamknięcie Automagiczne), teraz dioda kontrolna L1 miga długimi mignięciami	
4.	Wcisnąć 2 razy przycisk <b>[t]</b> , aby przesunąć diodę migającą na pozycję diody L3	
5.	Wcisnąć jeden raz krótko przycisk <b>[Set]</b> , aby zmienić stan funkcji powiązanej z L3 (Siła silnika), teraz dioda kontrolna L3 miga długimi mignięciami	
6.	Odczekać 10 sekund, aby wyjść z programowania	

Po zakończeniu tych operacji diody L1 i L3 muszą pozostać zapalone i wskazywać, że włączone są funkcje „Zamknięcie Automagiczne” i „Siła silnika”.

### 7.2.6) Przykład programowania poziomu drugiego (parametry regulowane)

Jako przykład podana jest sekwencja operacji służąca do zmiany ustawienia fabrycznego parametrów, zwiększenia „Czasu Przerwy” do 80 sekund (wejście na L1 i poziom na L4) i wyboru dla „Wyjścia FLASH” - Lampki Kontrolnej Otwartej Bramy (wejście na L4 i poziom na L1).

Tabela Nr 20: przykład programowania drugiego poziomu		Przykład
1.	Wcisnąć i trzymać wciśnięty przycisk <b>[Set]</b> przez około 3 sekundy.	
2.	Zwolnić przycisk <b>[Set]</b> , kiedy dioda kontrolna L1 zacznie migać.	
3.	Wcisnąć i trzymać wciśnięty przycisk <b>[Set]</b> . Przycisk [Set] musi być wciśnięty pomiędzy krokiem 4 i 5.	
4.	Odczekać około 3 sekundy aż zapali się dioda L2, która przedstawia aktualną wartość parametru „Czas Przerwy”.	
5.	Wcisnąć 2 razy przycisk <b>[t]</b> , aby przesunąć zapaloną diodę na L4, która przedstawia nową wartość „Czasu Przerwy”.	
6.	Zwolnić przycisk <b>[Set]</b>	
7.	Wcisnąć 3 razy przycisk <b>[t]</b> , aby przesunąć diodę migającą na diodę L4.	
8.	Wcisnąć i trzymać wciśnięty przycisk <b>[Set]</b> . Przycisk <b>[Set]</b> musi być wciśnięty pomiędzy krokiem 9 i 10.	
9.	Odczekać około 3 sekundy aż zapali się dioda L2, która przedstawia urządzenie powiązane z „Wyjściem FLASH”, to znaczy z lampą ostrzegawczą.	
10.	Wcisnąć 1 raz przycisk <b>[s]</b> , aby przesunąć zapaloną diodę na L1, który przedstawia nowe urządzenie powiązane z „Wyjściem FLASH”, to znaczy Lampką kontrolną Brama Otwarta.	
11.	Zwolnić przycisk <b>[Set]</b> .	
12.	Odczekać 10 sekund, aby wyjść z programowania.	

### 7.3) Dodawanie lub demontaż urządzeń

Przy automatyce z silownikiem SPIN, istnieje możliwość dodawania lub demontażu urządzeń w jakimkolwiek momencie. W szczególności do „BlueBUS” i do wejścia „STOP” mogą być podłączone różne rodzaje

urządzeń, tak jak podano w rozdziałach „7.3.1 BlueBUS” i „7.3.2 Wejście STOP”.

#### 7.3.1) BlueBUS

BlueBUS jest technologią, która pozwala podłączenie urządzeń kompatybilnych z tym systemem za pomocą jedynie dwóch przewodów, którymi jest przesyłane zasilanie elektryczne jak i zwrotne sygnały komunikatów. Wszystkie urządzenia podłączane są równolegle do tych samych 2 przewodów BlueBUS i to bez konieczności przestrzegania biegunowości; każde urządzenie jest rozpoznawane pojedynczo, ponieważ podczas instalowania jest mu przypisany jeden, niepowtarzalny adres. Do BlueBUS można podłączyć na przykład fotokomórkę, urządzenia bezpieczeństwa, przyciski sterowania, diody sygnalizacyjne itp.

Centrala kontrolna SPIN rozpoznaje jedno po drugim wszystkie urządzenia tak podłączone podczas odpowiedniej fazy rozpoznania i jest w stanie precyzyjnie wykryć wszelkie usterki. Z tego powodu za każdym razem, kiedy jest dodawane lub odkręcane jakkolwiek urządzenie podłączone do BlueBUS, należy w centrali przeprowadzić fazę rozpoznawania, tak jak opisano w rozdziale „7.3.4 Eozpoznawanie innych urządzeń”.

PL



### 7.3.2) Wejście STOP

STOP jest wejściem, które powoduje natychmiastowe zatrzymanie manewru i krótką zmianę kierunku. Do tego wejścia mogą być podłączone urządzenia z wyjściem ze stykiem normalnie otwartym „NO”, normalnie zamkniętym „NC”, albo urządzenia z wyjściem o stałym oporze 8,2kΩ, na przykład krawędziowe czułe listwy.

Tak jak dla BlueBUS, centrala rozpoznaje rodzaj urządzenia podłączonego do wejścia STOP podczas fazy rozpoznawania (patrz rozdział „7.3.4 Rozpoznawanie innych urządzeń”); w czasie pracy urządzenia komendę STOP wywoła jakakolwiek zmiana na tym wejściu w porównaniu z zapamiętanym stanem.

Za pomocą odpowiednich sposobów istnieje możliwość podłączenia do wejścia STOP więcej niż jednego urządzenia, nawet różnych rodzajów:

- Więcej urządzeń typu NO można podłączyć równolegle pomiędzy sobą bez żadnego ograniczenia ilości
- Więcej urządzeń NC można podłączyć szeregowo pomiędzy sobą bez żadnego ograniczenia ilości

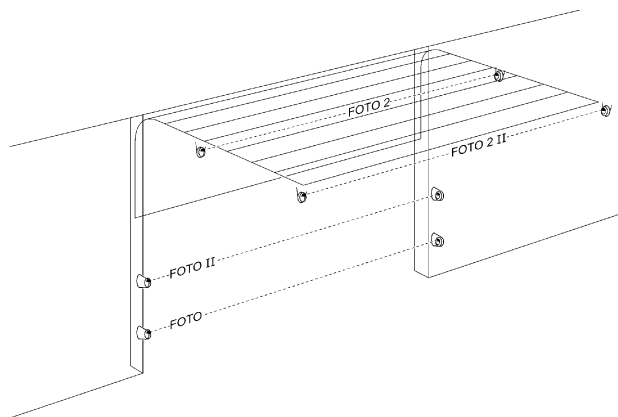
- Dwa urządzenia z wyjściem ze stałym oporem 8,2kΩ, mogą być podłączone równolegle; jeśli jest ich więcej niż 2, to mogą być podłączone w „kaskadzie” z jednym jedynie oporem 8,2kΩ na końcu
- Możliwa jest kombinacja NO i NC przez równoległe połączenie obu styków i dołączenie szeregowo do styku NC - oporu 8,2kΩ (pozwała to także na kombinację 3 urządzeń NO, NC i 8,2kΩ).

**⚠ Jeśli wejście STOP jest używane do podłączenia urządzeń z funkcjami bezpieczeństwa, jedynie urządzenia ze stałym oporem 8,2kΩ zapewniają 3 kategorię odporności na usterki według normy EN 954-1.**

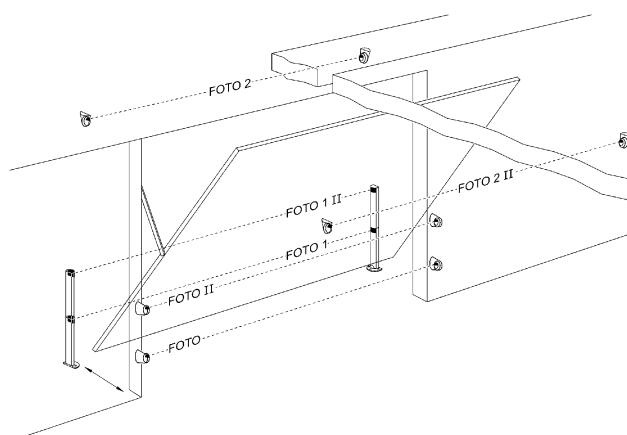
### 7.3.3) Fotokomórki

System „BlueBUS”, pozwala, za pomocą adresowania (poprzez odpowiednie mostkowanie), na rozpoznanie fotokomórek przez centralę i przydzielenie odpowiedniej funkcji odczytywania. Operacja adresowania jest wykonywana na TX i na RX (ustawiając mostki w taki sam sposób), sprawdzając, czy nie ma innych par fotokomórek o takim samym adresie. W automatyce dla bram dzielonych lub wiszących można zainstalować fotokomórki tak jak to pokazano na rys. 44. W automatyce z bramami wiszącymi należy odnieść się do rys. 45. Foto 2 i Foto 2II są używane do szczególnych instalacji, wymagających całkowitego zabezpieczenia automatyki, również przy otwarciu.

Po instalacji lub demontażu fotokomórek należy wykonać w centrali fazę rozpoznawania, tak jak to opisano w rozdziale „7.3.4 Rozpoznawanie innych urządzeń”.



44



45

Tabela Nr 21: adresy fotokomórek

Fotokomórka	Mostki	Fotokomórka	Mostki
<b>FOTO</b> Fotokomórka h = 50 działająca przy zamykaniu		<b>FOTO 2</b> Fotokomórka działająca przy otwieraniu	
<b>FOTO II</b> Fotokomórka h = 100 działająca przy zamykaniu		<b>FOTO 2 II</b> Fotokomórka działająca przy otwieraniu	
<b>FOTO 1</b> Fotokomórka h = 50 działająca przy zamykaniu i otwieraniu		<b>FOTO 3</b> <b>KONFIGURACJA NIEDOZWOLONA</b>	
<b>FOTO 1 II</b> Fotokomórka h = 100 działająca przy zamykaniu i otwieraniu			

**⚠ Na SN6021 wyjście BlueBUS mieści maksymalnie 2 jednostki. Na SN6031 i SN6041 obciążenie maksymalne wynosi 6 jednostek; jedna para fotokomórek pobiera moc równą 1 jednostce BlueBUS.**



### 7.3.4) Rozpoznawanie innych urządzeń

Zwykle operacja rozpoznania urządzeń podłączonych do BlueBUS i do wejścia STOP jest wykonywana podczas instalacji systemu; jednak po każdym dodaniu lub zdemontowaniu urządzenia należy powtórzyć rozpoznawanie w następujący sposób:

Tabela Nr 22: wczytywanie rozpoznawanie innych urządzeń		Przykład
1.	Wcisnąć i trzymać wciśnięte przyciski [s] i [Set].	
2.	Zwolnić przyciski kiedy diody L1 i L2 zaczną bardzo szybko migać (po około 3 sekundach).	
3.	Odczekać kilka sekund aż centrala skończy rozpoznawanie urządzeń.	
4.	Po zakończeniu procedury wczytywania, diody L1 i L2 przestaną migać, dioda STOP musi pozostać zapalona, natomiast diody L1...L4 zapalą się zgodnie ze stanem funkcji ON-OFF jakie przedstawiają.	

**⚠ Po dodaniu lub demontażu urządzeń jest niezbędne wykonanie ponownie odbioru automatyzacji zgodnie z tym jak podano w rozdziale „5.1 Próby odbiorcze”.**

## 7.4) Funkcje specjalne

### 7.4.1) Funkcja „Zawsze otwórz”

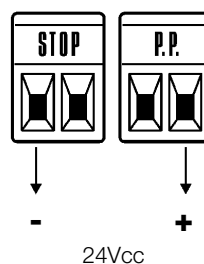
Funkcja „Zawsze otwórz” jest opcją służącą do wykonania manewru otwarcia, kiedy sterowanie „krok-po-kroku” trwa dłużej niż 3 sekundy; jest to przydatne, na przykład, aby podłączyć do zacisku P.P.(Krok po kroku) styki zegara programującego tak, aby brama była stale otwarta o pewnej porze dnia. Ta funkcja jest aktywna przy każdym rodzaju działania wejścia Krok po Kroku (PP) (patrz parametr „Funkcja PP” w tabeli Nr 17).

### 7.4.2) Funkcja „Otwórz awaryjnie”

W przypadku kiedy urządzenie bezpieczeństwa nie działa prawidłowo lub nie działa w ogóle, istnieje możliwość sterowaniem i przesuwaniem bramy w trybie „Ręcznym”. Szczegóły są podane w rozdziale „Sterowanie z zabezpieczeniami niedziałającymi”, znajdującym się w załączniku „Instrukcje i ostrzeżenia przeznaczone dla użytkownika siłownika SPIN”.

### 7.5) Podłączenie innych urządzeń

Jeśli istnieje potrzeba zasilania urządzeń zewnętrznych jak na przykład czytnik zbliżeniowy dla kart z transponderem albo światła oświetlającego wyłącznik kluczowy, można w tym celu pobrać zasilanie tak jak pokazano na rys. 46. Napięcie zasilania wynosi 24Vps  $-30\% \div +50\%$  z maksymalnym prądem 100mA.

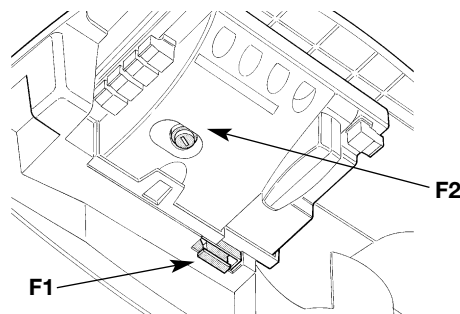


46

PL

## 7.6) Rozwiązywanie problemów

W tabeli można znaleźć przydatne wskazówki do rozwiązania problemów w czasie instalowania lub w wypadku uszkodzenia podczas eksploatacji.



47

**Tabela Nr 23: rozpoznawanie usterek**

SYMPTOMY	MOŻLIWA PRZYCZYNA I JEJ USUNIĘCIE
Nadajnik radiowy nie steruje bramą i dioda na nim nie zapala się.	Sprawdzić, czy baterie nadajnika nie wyczerpały się, ewentualnie je wymienić.
Nadajnik radiowy nie steruje bramą i dioda na nim zapala się.	Sprawdzić czy nadajnik jest prawidłowo wczytany do odbiornika radiowego.
Nie można wykonać żadnego manewru i dioda „BlueEBUS” nie miga.	Sprawdzić, czy SPIN jest zasilany napięciem z sieci 230V. Sprawdzić, czy bezpieczniki F1 i F2 nie są przepalone; w takim przypadku należy ustalić przyczynę usterek i następnie wymienić bezpieczniki na nowe o takich samych charakterystykach.
Nie można sterować żadnym manewrem i lampa ostrzegawcza nie pali się.	Sprawdzić, czy polecenie jest rzeczywiście odbierane. Jeśli polecenie dochodzi do wejścia PP to odpowiednia dioda „PP” musi się zapalić; jeśli natomiast jest użyty nadajnik radiowy, to dioda „BlueBUS” musi wykonać dwa szybkie mignięcia.
Manewr nie rozpoczyna się, a oświetlenie wykonuje mignięcia.	Policzyć ilość mignięć i sprawdzić z zawartością tabeli Nr 24.
Manewr rozpoczyna się, lecz zaraz po tym następuje cofnięcie bramy.	Wybrana siła może być za mała dla tego rodzaju bramy. Sprawdzić, czy nie ma przeszkód i ewentualnie wybrać większą siłę.
Manewr zostaje wykonany, ale urządzenie podłączone do wyjścia FLASH nie działa.	Sprawdzić, czy urządzenie podłączone do wyjścia „FLASH” jest faktycznie zaprogramowane. Sprawdzić, czy kiedy urządzenie powinno być zasilane, jest napięcie na jego zaciskach; jeśli napięcie jest, to oznacza, że problem jest spowodowany samym urządzeniem i musi być ono wymienione na inne o takich samych charakterystykach. Jeśli brak napięcia, oznacza to przeciążenie elektryczne na wyjściu. Sprawdzić, czy nie ma zwarcia na przewodzie.

## 7.7) Diagnostyka i sygnalizacja

Niektóre urządzenia posiadają bezpośrednią możliwość specjalnej sygnalizacji, za pomocą której można łatwo określić stan działania lub działanie nieprawidłowe.

### 7.7.1) Sygnalizacja z lampą ostrzegawczą i światłem nocnym

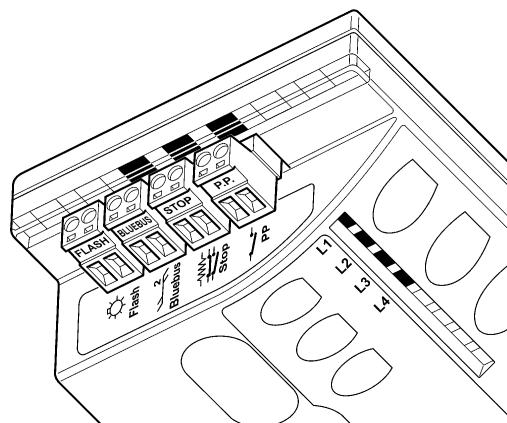
Jeśli wyjście FLASH jest zaprogramowane i jest podłączone do lampy ostrzegawczej, to podczas ruchu bramy miga ona z częstotliwością jednego mignięcia na sekundę; kiedy pojawia się usterka mignięcia są krótsze; powtórzą się dwukrotnie z jednosekundową przerwą. Takie same sygnały diagnostyczne są podawane przez światelko nocne.

**Tabela Nr 24: sygnalizacja lampy ostrzegawczej FLASH**

Szybkie miganie	Przyczyna	AKCJA
1 mignięcie, przerwa 1 sekunda, 1 mignięcie	Błąd w BlueBUS	Na początku manewru kontrola urządzeń podłączonych do BLUEBUS nie rozpoznała tych, jakie zostały wczytane podczas fazy rozpoznawania. Możliwe, że któreś z nich jest uszkodzone, należy je sprawdzić i wymienić; jeśli zostały wprowadzone zmiany należy powtórzyć rozpoznawanie (7.3.4 Rozpoznawanie innych urządzeń).
2 mignięcia, 1 sekunda przerwy, 2 mignięcia	Zadziałanie fotokomórki.	Na początku manewru jedna lub więcej fotokomórek nie daje zgody na ruch, sprawdzić, czy nie ma przeszkód. Podczas ruchu jest to normalne, jeśli rzeczywiście istnieje przeszkoda.
3 mignięcia, 1 sekunda przerwy, 3 mignięcia	Zadziałanie ogranicznika „Mocy silnika”	Podczas ruchu brama napotkała zwiększony opór; sprawdzić przyczynę.
4 mignięcia, 1 sekunda przerwy, 4 mignięcia	Zadziałanie wejścia STOP	Na początku manewru lub podczas ruchu zadziałało wejście STOP; sprawdzić przyczynę.
5 mignięć, 1 sekunda przerwy, 5 mignięć	Błąd w parametrach wewnętrznych centrali elektronicznej	Odczekać co najmniej 30 sekund i ponowić próbę manewru; jeśli efekt jest taki sam to może się okazać, że jest to poważna usterka i wymaga wymiany układu elektronicznego centrali.
6 mignięć, 1 sekunda przerwy, 6 mignięć	Przekroczono limit ilości manewrów na godzinę.	Odczekać kilka minut, aby ogranicznik ilości manewrów powrócił pod maksymalną liczbę graniczną manewrów.
7 mignięć, 1 sekunda przerwy, 7 mignięć	Błąd w wewnętrznych obwodach elektrycznych	Rozłączyć wszystkie obwody zasilania na kilka sekund, potem spróbować powtórnie dać polecenie; jeśli stan się nie zmienia może się okazać, że jest to poważna usterka i wymaga wymiany układu elektronicznego centrali albo okablowania silnika. Wykonać kontrolę i ewentualnie wymienić.

## 7.7.2) Sygnalizacja diodami w centrali

W centrali SPIN znajduje się zestaw diod, z których każda może dostarczyć specyficznych sygnałów, tak podczas normalnej pracy jak i w przypadku wystąpienia usterki.



48

**Tabela Nr 25: diody przy zaciskach centrali**

dioda BLUEBUS	Przyczyna	AKCJA
Wyłączona	Anomalia	Sprawdzić czy jest zasilanie; sprawdzić czy nie zadziałały bezpieczniki; w takim przypadku sprawdzić przyczynę ich zadziałania a potem wymienić je na nowe o tych samych wartościach
Włączona na stałe	Poważna usterka	Jest to poważna usterka; spróbować wyłączyć na chwilę centralę; jeśli stan się utrzymuje jest to poważne uszkodzenie i wymaga wymiany obwodu elektronicznego centrali
Jedno mignięcie na sekundę	Wszystko OK	Prawidłowe działanie centrali
2 szybkie mignięcia	Zmiana stanu wejść	Jest to normalne przy zmianie jednego z wejść: PP, STOP, zadziałanie fotokomórek, albo gdy jest używany nadajnik radiowy.
Seria mignięć przedzielonych jednosekundową przerwą	Różne	Jest to ta sama sygnalizacja jak w lampie ostrzegawczej lub migającym światłem nocnym. Patrz Tabela nr 24.
Dioda STOP	Przyczyna	AKCJA
Wyłączona	Zadziałanie wejścia STOP	Sprawdzić urządzenia podłączone do wejścia STOP
Włączona	Wszystko OK	Wejście STOP aktywne
Dioda P.P.	Przyczyna	AKCJA
Wyłączona	Wszystko OK	Wejście PP nie aktywne
Włączona	Zadziałanie wejścia PP	Normalne, jeśli rzeczywiście jest aktywne urządzenie podłączone do wejścia PP

**Tabela Nr 26: diody przy przyciskach centrali**

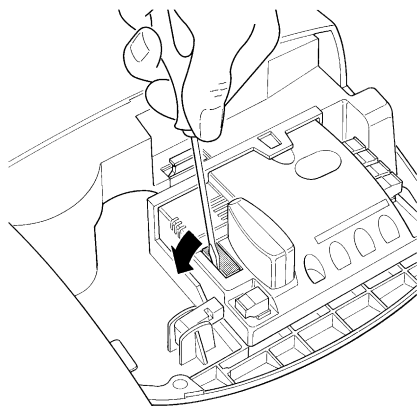
Dioda L1	Opis
Wyłączona	Podczas normalnej pracy wskazuje: „Zamknięcie automatyczne” nie aktywne
Włączona	Podczas normalnego działania wskazuje: „Zamknięcie automatyczne” aktywne
Miga	<ul style="list-style-type: none"> <li>• Programowanie funkcji w toku</li> <li>• Jeśli miga razem z L2, wskazuje że należy wykonać fazę rozpoznania urządzeń (patrz rozdział „4,2 Rozpoznanie dołączonych urządzeń”).</li> </ul>
Dioda L2	Opis
Wyłączona	Podczas normalnego działania wskazuje: „Zamknij Po Foto” nie aktywne.
Włączona	Podczas normalnego działania wskazuje: „Zamknij Po Foto” aktywne.
Miga	<ul style="list-style-type: none"> <li>• Programowanie funkcji w toku</li> <li>• Jeśli miga razem z L1, wskazuje że należy wykonać fazę rozpoznania urządzeń (patrz rozdział „4,2 Rozpoznanie dołączonych urządzeń”).</li> </ul>
Dioda L3	Opis
Wyłączona	Podczas działania normalnego wskazuje „Siłę silnika” dla bram „ciężkich”.
Włączona	Podczas działania normalnego wskazuje „Siłę silnika” dla bram „lekkich”.
Miga	<ul style="list-style-type: none"> <li>• Programowanie funkcji w toku</li> <li>• Jeśli miga wraz z L4, to wskazuje że należy wykonać fazę wczytywania pozycji otwarcia i zamknięcia bramy (patrz rozdział „4.3 Programowanie pozycji otwarcia i zamknięcia bramy”).</li> </ul>
Dioda L4	Opis
Wyłączona	Podczas normalnego działania wskazuje: „Stand-By” nie aktywne
Włączona	Podczas normalnego działania wskazuje: „Stand-By” aktywne
Miga	<ul style="list-style-type: none"> <li>• Programowanie funkcji w toku</li> <li>• Jeśli miga razem z L3, wskazuje, że należy wykonać fazę rozpoznania długości bramy (patrz rozdział „4.3 Programowanie pozycji otwarcia zamknięcia bramy”).</li> </ul>

## 7.8) Wyposażenie

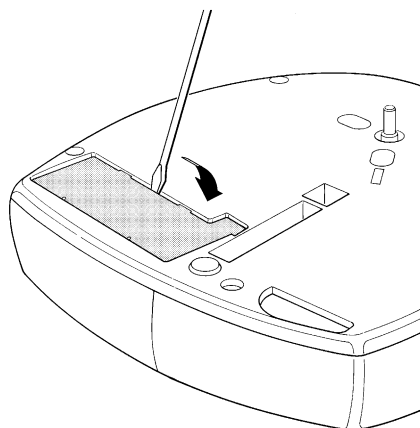
Dla SPIN są dostępne następujące akcesoria opcjonalne. Patrz katalog Nice S.p.A., gdzie znajduje się wykaz wszystkich i uaktualnionych akcesoriów.

### Dla SN6031 i SN6041

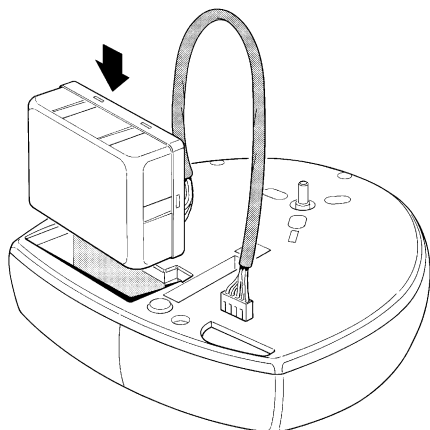
- PS124 Akumulator awaryjny 24V - 1,2Ah ze zintegrowana ładowarką.



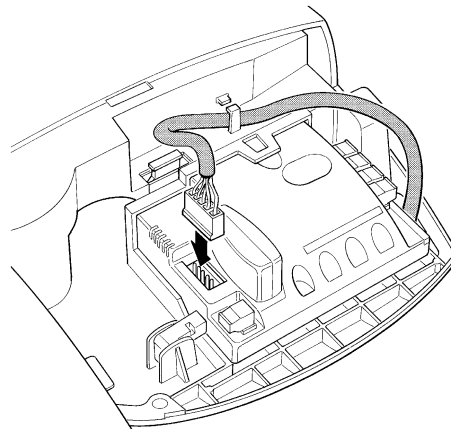
49



50



51



52

### Dla SN6031 i SN6041

- SMXI o SMXIS Odbiornik radiowy o częstotliwości 433,92MHz Z kodowaniem cyfrowym Rolling code.

### Dla SN6031

- SNA5 Prowadnica jednoczęściowa, dł. 3 m, ze stali cynkowej. Przeniesienie paskiem z 4 wkładkami ze stali.

### Dla SN6031 i SN6041

- SNA6 Prowadnica dwuczęściowa o dł. 4 m (3m + 1m) ze stali cynkowej. Przeniesienie paskiem z 6 wkładkami ze stali.

### Dla wszystkich

- SPA2 Odblokowanie mechaniczne z metalową linką. Do użycia w tych instalacjach, gdzie brama jest jedynym wejściem do garażu.

### Dla wszystkich

- SPA5 Ramię wahadłowe. Jest niezbędne, kiedy brama jaka ma być zautomatyzowana jest typu wahadłowego, tak z przeciwcieżarem jak i ze sprężynami.

## 8) Dane techniczne

W celu ulepszenia swoich produktów, Nice S.p.A. zastrzega sobie prawo zmiany charakterystyk technicznych w jakimkolwiek momencie i bez uprzedzenia, utrzymując jednak funkcjonalność i przeznaczenie wyrobu.

Wszystkie charakterystyki techniczne tutaj podane odnoszą się do temperatury otoczenia 20°C (±5°C).

<b>Dane techniczne: SPIN</b>			
<b>Model typ</b>	<b>SN6021</b>	<b>SN6031</b>	<b>SN6041</b>
Typ	Elektromechaniczny siłownik do automatyzacji bram garażowych do użytku prywatnego wraz z elektroniczną centralą sterującą		
Koło zębate	Średnica 9.5mm, 28 zębów; dla prowadnic SNA5, SNA6 i prowadnic na wyposażeniu SPIN20KCE, SPIN30 i SPIN40		
Moment rozruchowy [odpowiadający sile powodującej ruch skrzydła].	11.7Nm [650N]	11.7Nm [650N]	18Nm [1000N]
Moment nominalny [odpowiadający sile podtrzymującej ruch skrzydła].	5.85Nm [345N]	5.85Nm [345N]	9Nm [560N]
Prędkość bez obciążenia a jeśli zaprogramowana prędkość "Szybko"	106 obr./min. [0,20m/s] Centrala pozwala na zaprogramowanie 4 prędkości równych około 100% - 85% - 70% - 55%		
Prędkość momentu nominalnego jeśli prędkość zaprogramowana "Szybko"	53 obr./min. [0,08m/s]		
Maksymalna częstotliwość cykli pracy	50 cykli /dzień (centrala ogranicza cykle do ilości przewidzianej w tabelach Nr 4 i 5)		
Maksymalny ciągły czas pracy	3 minuty (centrala ogranicza działanie ciągle do czasu przewidzianego w tabelach Nr 4 i 5)		
Ograniczenia zastosowania	Ogólnie SPIN jest w stanie automatyzować bramy segmentowe lub uchylne, które odpowiadają wymiarom przewidzianym w tabelach nr 4 i 5.		
Zasilanie SPIN Zasilanie SPIN/V1	230Vpp (±10%) 50/60Hz. 120Vpp (±10%) 50/60Hz.		
Maksymalna moc pobierana	250W	250W	370W
Zmniejszenie zużycia mocy w Stand-By	---	Mniejsze od 2,2W	Mniejsze od 2,5W
Klasa izolacji	1 (wymaga uziemienia)		
Zasilanie awaryjne	---	Z urządzeniem dodatkowym PS124	Z urządzeniem dodatkowym PS12
Światelko nocne SPIN Światelko nocne SPIN/V1	12V-21W przyłącze BA15 12V-21W przyłącze BA15	230V-60W przyłącze E27 120V-60W przyłącze E27	230V-60W przyłącze E27 120V-60W przyłącze E27
Wyjście FLASH	Jeśli zaprogramowane jako "SPA": dla lampki kontrolnej 24V-5W maksymalnie. Jeśli zaprogramowane jako "lampa ostrzegawcza": dla jednej lampy ostrzegawczej LUCYB (12V, 21W). Jeśli zaprogramowane jako "Blokada elektryczna": dla mechanicznej blokady elektrycznej 24V – 10W maksymalnie. Jeśli zaprogramowany jako "Zasułka" dla zasuwki elektromechanicznej 24V – 10W maksymalnie.		
Maksymalne obciążenie wyjścia BLUEBUS	2	6	6
Wejście STOP	Dla styków normalnie zamkniętych, normalnie otwartych lub o stałej oporności 8,2kΩ z auto-odczytem (każda zmiana w porównaniu do stanu zapamiętanego powoduje polecenie „STOP”)		
Wejście PP	Dla styków normalnie otwartych (zamknięcie styku powoduje polecenie P.P.)		
Wejście ANTENA	dla sygnału radiowego 52Ω dla przewodu typu RG58 lub podobnego		
Odbiornik radiowy	Złącze "SM" dla odbiorników typu SMXI i SMXIS		
Funkcje programowalne	4 funkcji typu ON-OFF i 4 funkcji regulowanych (patrz tabele Nr 15 i 17)		
Funkcje auto-programowalne	Funkcje auto-programowalne Rozpoznanie urządzeń podłączonych do wyjścia BlueBUS. Rozpoznanie typu urządzenia „STOP” (styk NO, NC lub oporność 8,2kΩ). Rozpoznanie pozycji otwarcia i zamknięcia bramy i wyliczenie punktów zwalniania i otwarcia częściowego		
Temperatura pracy	-20°C ÷ 50°C		
Użytkowanie w atmosferze szczególnie kwaśnej lub słonej albo potencjalnie wybuchowej:	Nie		
Stopień zabezpieczenia	IP40 (użytkowany jedynie w pomieszczeniach wewnętrznych i zabezpieczonych)		
Wymiary/waga	311x327 h 105 / 3,6kg		311x327 h 105 / 4,7kg

**Charakterystyki techniczne prowadnic**

Model typ	Prowadnica z SPIN20KCE i SPIN30	Prowadnica z SPIN40	SNA5	SNA6
Typ	profil 3 elementów ze stali cynkowanej		pojedynczy profil ze stali cynkowanej	profil z 2 części ze stali cynkowanej
Długość	3.15m	3.15m	3.15m	4.15m
Wysokość	35mm	35mm	35mm	35mm
Skok	2.5m	2.5m	2.5m	3.5m
Dł. paska	6m	6m	6m	8m
Wys. paska	6mm	10mm	6mm	10mm
Wytrzymałość na naciąg	730N	1220N	730N	1220N

Dane techniczne	Odbiornik radiowy: SMXI	Odbiornik radiowy: SMXIS
Typ	Odbiornik czterokanałowy do sterowania zdalnego	
Częstotliwość	433.92MHz	
Sposób kodowania	Cyfrowy Rolling code 52 Bit, typ FLOR	Cyfrowy Rolling code 64 Bit, typ SMILO
Kompatybilność nadajników	FLOR, VERY VR; tylko pojedynczy zespół: ERGO, PLANO, PLANOTIME	SMILO
Ilość wczytanych nadajników	Do 256 jeśli wczytane w Trybie I	
Impedancja wejścia	52Ω	
Czułość	Większa od 0.5μV	
Zasięg nadajników	Od 100 do 150m, w zależności od przeszkód i zakłóceń elektromagnetycznych jakie ewentualnie mogą występować, i od umieszczenia anteny odbiorczej	
Wyjścia	4 (na złączu SM)	
Temperatura pracy	-10°C ÷ 55°C	

Dane techniczne	nadajnik: FLO2R-S	nadajnik: SM2
Typ	Nadajnik 2-kanałowy, zdalnie	
Częstotliwość	433.92MHz	
Sposób kodowania	Cyfrowy Rolling code 52 Bit, typ FLOR	Cyfrowy Rolling code 64 Bit, typ SMILO
Przyciski	2	
Zasilanie	12V z baterii typu 23A	
Pobór prądu	25mA	
Trwałość baterii	1 rok, szacowany przy 20 poleceniach/dziennie o długości trwania 1 s, przy temperaturze 20°C (przy niskich temperaturach spada wydajność baterii)	
Moc promieniowania	100μW	
Wymiary i ciężar	72 x 40 h 18mm / 30g	Średnica 48 h14mm / 19g
Stopień zabezpieczenia	IP40 (użytkowany jedynie w pomieszczeniach wewnętrznych i zabezpieczonych)	
Temperatura pracy	-40°C ÷ 85°C	

## Instrukcje i ostrzeżenia skierowane do użytkownika siłownika SPIN

Te instrukcje muszą znaleźć się w „Instrukcjach i ostrzeżeniach przy obsłudze automatyki”, jakie instalator musi przekazać właścicielowi posesji, i muszą być, w każdym razie zintegrowane z nią.

**Gratulujemy** wyboru automatyki firmy Nice! Firma Nice S.p.A. produkuje elementy do automatyzacji bram, drzwi, bram rolowanych, rolet i markiz: siłowniki, lampy sygnalizacyjne, fotokomórki i akcesoria. Firma Nice stosuje w swoich produktach wyłącznie surowce wysokiej jakości i, z powołania, poszukuje nowych rozwiązań innowacyjnych maksymalnie ułatwiających użytkowanie tych urządzeń. Elementy te są technicznie wysokiej jakości, estetyczne i z dokładnie opracowaną ergonomią: Z zestawu produktów Firmy Nice wasz instalator z pewnością wybierze produkt, który najbardziej odpowiada waszym wymaganiom. Wasza automatyka nie jest zwykłym produktem firmy Nice, ale jest dziełem sztuki zrealizowanym w wyniku wieloletnich analiz, obliczeń, wyboru surowców a realizacja tej instalacji powierzona jest waszemu instalatorowi. Każda automatyka jest jedyna w swoim rodzaju. Gdy wasz instalator posiada wystarczające doświadczenie i niezbędną wiedzę do jej wykonania to automatyka na pewno będzie odpowiadała waszym wymaganiom, będzie trwała i niezawodna, a przede wszystkim będzie wykonana zgodnie z aktualnie obowiązującymi normami prawnymi. Automatyka jest wygodnym rozwiązaniem, posiada funkcjonalny system zabezpieczający i gdy jest zadbane będzie wam służyć wiele lat. Gdy automatyka spełnia wasze wymagania w zakresie bezpieczeństwa i zgodnie z normami prawnymi nie znaczy to, że nie istnieją inne niebezpieczeństwa. Mogą się bowiem utworzyć się sytuacje niebezpieczne spowodowane nieodpowiedzialnym i błędnym użytkowaniem. Dlatego też chcemy przekazać wam użyteczne wskazówki w celu uniknięcia takich niekorzystnych sytuacji:

- **Przed pierwszym użyciem automatyzacji**, poproście instalatora o wyjaśnienie, jakie zagrożenia mogą pojawić się w czasie użytkowania bramy i skąd pochodzą, przeznaczone kilka minut na przeczytanie **instrukcji i ostrzeżeń dla użytkownika** jakie przekazał wam instalator. Należy przechowywać instrukcje w celu możliwych późniejszych konsultacji i przekazać ją ewentualnemu następnemu użytkownikowi bramy.

- **Wasz automat jest maszyną, która dokładnie wykonuje wasze polecenia;** niewłaściwe lub nieuprawnione użycie może stać się niebezpieczne: nie sterujcie ruchem bramy, jeśli w jej pobliżu znajdują się osoby, zwierzęta lub przedmioty.

- **Dzieci:** automatyka gwarantuje wysoki stopień bezpieczeństwa. Zatrzymuje ruch, gdy jej system zabezpieczający odczyta obecność osób lub rzeczy i gwarantuje uaktywnienie tego systemu w sposób pewny i przewidziany. Bezpieczniej jednak jest zabronić dzieciom bawienia się w pobliżu automatyki jak również pozostawionymi bez nadzoru pilotami, aby uniknąć nieumyślnego włączenia: **nadajniki sterowania to nie zabawka!**

- **Anomalie:** Gdy zauważy się jakiegokolwiek niewłaściwe zachowanie automatyki należy odłączyć od niej zasilanie elektryczne i odłączyć ręcznie według procedury niżej opisanej. Nie próbujcie sami wykonać jakiegokolwiek naprawy, lecz zwróćcie się o pomoc do waszego zaufanego instalatora: W międzyczasie brama może działać jako otwierana ręcznie (po odblokowaniu siłownika), tak jak to wcześniej opisano.

- **Konserwacja:** Automatyka, jak każda maszyna, wymaga okresowych czynności konserwacyjnych, co gwarantuje jej bezpieczne i długoletnie funkcjonowanie. Warto u Uzgodnić z waszym instalatorem program okresowych przeglądów konserwacyjnych. Firma Nice poleca, aby przeglądy wykonywać co sześć miesięcy, ale zależy to też od intensywności użytkowania. Jakiegokolwiek przegląd, związany z czynnościami konserwacyjnymi czy naprawą, ma być wykonany przez wykwalifikowany personel.

- Nawet jeśli uważacie że potraficie, nie modyfikujcie urządzenia i parametrów programowania oraz nie regulujcie automatyki: należy to do waszego instalatora

- Odbiór, konserwacje okresowe i ewentualne naprawy muszą być udokumentowane przez wykonującego je, a dokumentacja przechowywana przez właściciela urządzenia.

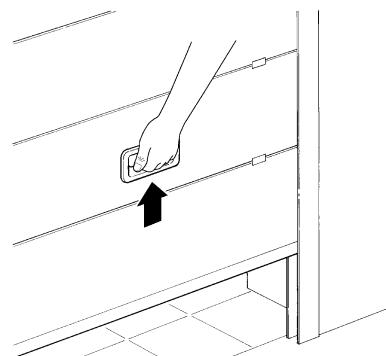
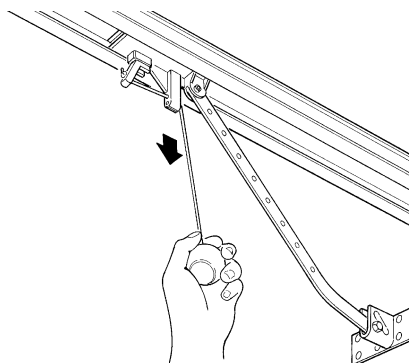
- **Jedynie czynności, które możecie** i powinniście wykonywać okresowo, to czyszczenie szybek fotokomórek i usuwanie ewentualnych liści, kamieni i innych obiektów, które mogłyby przeszkodzić w ruchu bramy. Aby uniemożliwić nieoczekiwane uruchomienie bramy, przed rozpoczęciem tych prac pamiętajcie o odblokowaniu automatu (tak jak wcześniej to opisano). Do czyszczenia używajcie jedynie ściereczki lekko zwilżonej wodą

- **Złomowanie:** Po zakończeniu okresu użytkowania automatyki dopilnujcie, aby likwidacja została przeprowadzona przez wykwalifikowany personel i aby materiały zostały poddane recyklingowi lub utylizacji zgodnie z obowiązującymi przepisami.

- **W wypadku uszkodzenia lub braku zasilania.** Oczekując na waszego instalatora lub do momentu przywrócenia zasilania (jeśli urządzenie nie jest wyposażone w dodatkowy akumulator), brama może być używana jako obsługiwana ręcznie. W tym celu należy wykonać wysprężenie siłownika (jedynie działanie dozwolone użytkownikowi): ta operacja została szczególnie przemyślana przez Nice, aby zapewnić wam maksymalną łatwość bez użycia specjalnych narzędzi lub dużego wysiłku fizycznego.

**Odblokowanie i ruch ręczny:** przed wykonaniem tej operacji zwrócić uwagę na to, że odblokowanie może być wykonane jedynie kiedy skrzydło jest nieruchome

1. Pociągnąć za linkę odblokowującą do dołu, aż do usłyszenia odłączenia wózka.
2. Teraz można ręcznie przesunąć bramę
3. Aby przywrócić funkcjonowanie automatyki delikatnie i powoli ustawić bramę w pozycji początkowej aż do usłyszenia „kliknięcia” wsprężenia wózka.



**Sterowanie z niesprawnymi urządzeniami bezpieczeństwa:** w przypadku kiedy urządzenia bezpieczeństwa znajdujące się na bramie nie działają prawidłowo, można również sterować bramą.

- Uruchomić bramę (pilotem, nadajnikiem radiowym, przełącznikiem itp.); jeśli wszystko jest w porządku, brama zadziała w sposób normalny, w przeciwnym wypadku lampa ostrzegawcza kilka razy błysnie i manewr nie rozpocznie się (ilość błysków zależy od przyczyny dla której manewr nie może się rozpocząć).
- W tym przypadku, w przeciągu 3 sekund należy powtórnie włączyć i przytrzymać włączone sterowanie
- Po około 2 sekundach rozpocznie się ruch bramy w trybie „Manualnym”, to znaczy brama się przesuwa dopóki wciskamy przycisk (lub trzymamy przekręcony kluczyk) a po ich puszczeniu natychmiast zatrzyma się.

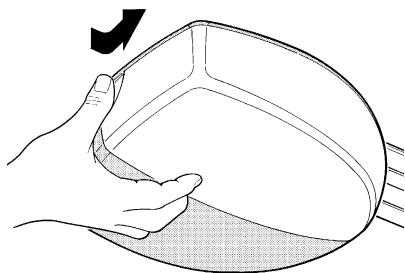
**Przy niedziałających zabezpieczeniach należy jak najprędzej naprawić system.**

**Wymiana baterii w pilocie:** jeśli wasz pilot po jakimś czasie używania ma zmniejszony zasięg lub w ogóle przestał działać, może to być po prostu skutkiem wyczerpania się baterii (w zależności od intensywności używania, bateria wytrzyma od kilku miesięcy do ponad roku). Możecie sprawdzić fakt wyczerpania baterii ponieważ dioda potwierdzenia na pilocie nie zapala się, albo świeci bardzo słabo, lub zapala się tylko na chwilkę. Przed zwróceniem się do instalatora, spróbujcie zamienić baterie na inne, wyjęte z nadajnika działającego prawidłowo: jeśli to jest powodem nie działania, to wystarczy wymienić baterię na nową tego samego typu.

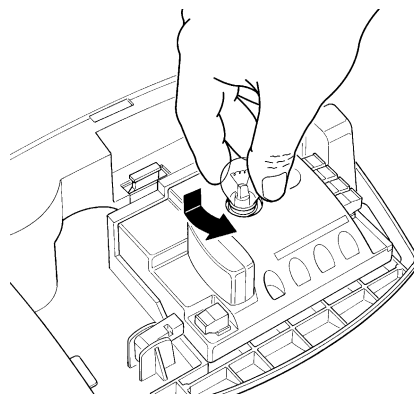
**Uwaga:** Baterie zawierają substancje trujące: nie wyrzucajcie ich do śmieci ale usuńcie zgodnie z aktualnymi przepisami. Przy ich utylizacji należy dostosować się do miejscowych norm i regulaminów w tej materii.

**Wymiana żarówki:** przed wykonaniem tej operacji należy odciąć zasilanie od SPIN.

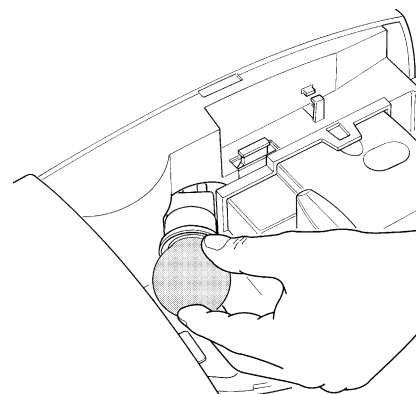
1. Otworzyć białą pokrywę, wciskając ją i obracając.



2. Dla SN6021 wyjąć żarówkę naciskając do góry i obracając. Włożyć nową żarówkę o parametrach: 12V / 21W wtyk BA15.



3. Dla SN6030, SN6031, SN6040 i SN6041: Wykręcić zepsutą żarówkę. Włożyć nową żarówkę o parametrach: 230V / 60W wtyk E27.



**Jesteście zadowoleni?** W przypadku kiedy chcielibyście w przyszłości dokupić kolejne urządzenie automatyki, zwróćcie się do tego samego instalatora i do Nice, a zapewnicie sobie, poza doradztwem specjalisty i produktami najbardziej zaawansowanymi na rynku, najlepsze działanie i maksymalną kompatybilność z istniejącą instalacją.

Dziękujemy za przeczytanie niniejszych wskazówek, życzymy dużej satysfakcji z nowego urządzenia: W celu ewentualnych wyjaśnień, czy porad prosimy zwrócić się do waszego instalatora.





# Spin

Inhoud:		pag.		
<b>1</b>	Aanbevelingen	171	<b>6</b>	Onderhoud en afvalverwerking 184
<b>2</b>	Beschrijving van het product	171	<b>6.1</b>	Onderhoud 184
<b>2.1</b>	Gebruikslimieten	172	<b>6.2</b>	Afvalverwerking 184
<b>2.2</b>	Voorbeeld van een installatie	173	<b>7</b>	Nadere details 185
<b>2.3</b>	Lijst van kabels	173	<b>7.1</b>	Programmeertoetsen 185
<b>3</b>	Installatie	174	<b>7.2</b>	Programmeringen 185
<b>3.1</b>	Controles vooraf	174	<b>7.2.1</b>	Functies eerste niveau (functies ON-OFF) 185
<b>3.2</b>	Bevestiging SPIN	174	<b>7.2.2</b>	Programmering eerste niveau (functies ON-OFF) 186
<b>3.2.1</b>	Assemblage van de met de SPIN20KCE, SPIN30 en SPIN40 meegeleverde geleiderail	175	<b>7.2.3</b>	Functies tweede niveau (instelbare parameters) 186
<b>3.2.2</b>	Assemblage geleiderail SNA5	175	<b>7.2.4</b>	Programmering tweede niveau (instelbare parameters) 186
<b>3.2.3</b>	Assemblage geleiderail SNA6	175	<b>7.2.5</b>	Voorbeeld van programmering eerste niveau (functies ON-OFF) 187
<b>3.2.4</b>	Bevestiging van de reductiemotor aan de geleiderail	176	<b>7.2.6</b>	Voorbeeld van programmering tweede niveau (instelbare parameters) 187
<b>3.2.5</b>	Bevestiging van de reductiemotor aan het plafond	176	<b>7.3</b>	Bijplaatsen of wegnemen van inrichtingen 187
<b>3.3</b>	Installatie van de verschillende inrichtingen	178	<b>7.3.1</b>	BlueBUS 187
<b>3.4</b>	Elektrische aansluitingen	178	<b>7.3.2</b>	Ingang STOP 188
<b>3.5</b>	Beschrijving van de elektrische aansluitingen	179	<b>7.3.3</b>	Fotocellen 188
<b>4</b>	Eindcontroles en start	179	<b>7.3.4</b>	Herkennen van andere inrichtingen 189
<b>4.1</b>	Aansluiting van de stroomtoevoer	179	<b>7.4</b>	Speciale functies 189
<b>4.2</b>	Herkennen van de inrichtingen	180	<b>7.4.1</b>	Functie "Open Altijd" 189
<b>4.3</b>	Herkennen van de standen van opening en sluiting van de deur	180	<b>7.4.2</b>	Functie "Beweeg in ieder geval" 189
<b>4.4</b>	Controle van de manoeuvre van de deur	180	<b>7.5</b>	Aansluiting andere inrichtingen 189
<b>4.5</b>	Vooraf ingestelde functies	181	<b>7.6</b>	Oplossen van problemen 190
<b>4.6</b>	Radio-ontvanger	181	<b>7.7</b>	Diagnostiek en signaleringen 190
<b>4.6.1</b>	Geheugenopslag van de zenders	181	<b>7.7.1</b>	Signalering met waarschuwingslicht en gebruikerslicht 190
<b>4.6.2</b>	Geheugenopslag modus I	182	<b>7.7.2</b>	Signaleringen op de besturingseenheid 191
<b>4.6.3</b>	Geheugenopslag modus II	182	<b>7.8</b>	Accessoires 192
<b>4.6.4</b>	Geheugenopslag "op afstand"	182	<b>8</b>	Technische gegevens 193
<b>4.6.5</b>	Wissen van de radiozenders	183		
<b>4.6.6</b>	Conformiteitsverklaring ontvanger en radiozenders	183		
<b>5</b>	Opleveringstest en inbedrijfstelling	183		Aanwijzingen en aanbevelingen bestemd voor de gebruiker van de reductiemotor SPIN 195
<b>5.1</b>	Opleveringstest	183		
<b>5.2</b>	In bedrijfstelling	184		

## 1) Aanbevelingen

Deze handleiding bevat belangrijke informatie voor de veiligheid van mensen. Alvorens u met de installatie gaat beginnen, dient u alle in deze handleiding vervatte informatie te lezen. Bewaar deze handleiding ook voor later gebruik.

In deze handleiding wordt de naam van de lijn: "SPIN" gebruikt wanneer er gegevens, aanbevelingen en alles wat alle producten gemeenschappelijk hebben, weergegeven worden. De beschrijving van de afzonderlijke producten kunt u in hoofdstuk "2 Beschrijving product" vinden.

Met het oog op gevaarlijke situaties die zich tijdens de installatie en het gebruik van SPIN kunnen voordoen, moeten ook tijdens de installatie de wetten, voorschriften en regels volledig in acht genomen worden. In dit hoofdstuk zullen algemene aanbevelingen gegeven worden; andere belangrijke aanbevelingen vindt u in de hoofdstukken "3.1 Controles vooraf"; "5 Opleveringstest en inbedrijfstelling".

**⚠ Volgens de meest recente Europese wetgeving valt het aanleggen van een automatische deur of poort onder wat voorzien is in de Europese Richtlijn 98/37/EG (Richtlijn Machines) en met name onder de voorschriften: EN 12445; EN 12453 en EN 12635, die een verklaring van vermoedelijke conformiteit mogelijk maken.**

Verdere inlichtingen, richtlijnen ten aanzien van risico's en het samenstellen van het technisch dossier zijn beschikbaar op: "www.niceforyou.com".

- Deze handleiding is uitsluitend bestemd voor technisch personeel dat voor de installatie gekwalificeerd is. Behalve de specifieke los te halen bijlage welke de installateur dient te verzorgen, namelijk "Aanwijzingen en aanbevelingen bestemd voor de gebruiker van de reductiemotor SPIN" kan andere informatie die in dit dossier is vervat, niet als interessant voor de eindgebruiker worden beschouwd!
- Ieder ander gebruik van SPIN dat niet voorzien is in deze aanwijzingen

is verboden; oneigenlijk gebruik kan gevaar opleveren of letsel en schade aan mensen en zaken veroorzaken.

- Voordat u met de installatie begint dient u een analyse van de risico's te maken waarvan de lijst van essentiële veiligheidseisen zoals die in Bijlage I van de Richtlijn Machines zijn voorzien, deel uitmaakt; hierin geeft u de toegepaste oplossingen aan. Wij maken u erop attent dat de risico-analyse één van de documenten is die deel uitmaken van het "technisch dossier" van de automatisering.
- Controleer of er verdere inrichtingen nodig zijn om de automatisering met SPIN op basis van de specifieke toepassingssituatie en aanwezige gevaren te completeren; u dient daarbij bijvoorbeeld risico's op het gebied van botsen, beknelling, scharen, etc. en andere algemene gevaren in acht te nemen.
- Breng geen wijzigingen aan onderdelen aan, indien dit niet in deze handleiding is voorzien. Dergelijke handelingen kunnen alleen maar storingen veroorzaken. NICE wijst elke aansprakelijkheid voor schade tengevolge van gewijzigde artikelen van de hand.
- Zorg ervoor dat er tijdens het installeren niets, ook geen vloeistof, in de besturingseenheid of andere open inrichting kan komen; neem eventueel contact op met het technisch servicecentrum van NICE; het gebruik van SPIN in deze situaties kan een gevaarlijke situatie doen ontstaan.
- Het automatisme mag niet gebruikt worden voordat de inbedrijfstelling heeft plaatsgevonden zoals dat in hoofdstuk: "5 Opleveringstest en inbedrijfstelling" is aangegeven.
- De afvalverwerking van het verpakkingsmateriaal van SPIN moet geheel en al volgens de plaatselijk geldende regels plaatsvinden.
- Indien er zich een storing voordoet die u niet kunt oplossen onder gebruikmaking van de in deze handleiding vervatte informatie gelieve u contact op te nemen met de technische servicedienst van NICE.
- Wanneer er een automatische schakelaar of zekering in werking is getreden, dient u alvorens die terug te stellen, de storing op te zoeken en die te verhelpen.
- Voordat u de interne klemmetjes onder de dekplaat van SPIN aanraakt dient u alle circuits van stroomtoevoer los te koppelen; indien dit niet te zien is, dient u een bord aan te brengen met de tekst: "LET OP ONDERHOUDSWERKZAAMHEDEN IN UITVOERING".

## 2) Beschrijving van het product

SPIN is een lijn reductiemotoren bestemd voor de automatisering van sectionaaldeuren en, met het speciale accessoire SPA5 (niet meegeleverd), van kanteldeuren met veren of tegengewichten, zowel buitendraaiend als binnendraaiend.

De elektrische aansluiting op externe inrichtingen zijn heel eenvoudig dankzij toepassing van "BlueBUS", een techniek waarmee het mogelijk is meerdere inrichtingen met slechts 2 draden op elkaar aan te sluiten. SPIN functioneert op elektrische energie, maar bij uitval van de

stroomvoorziening via het elektriciteitsnet is het mogelijk de reductiemotor te ontgrendelen en de deur met de hand te verplaatsen. In de uitvoeringen waarbij dat mogelijk is, kunt u de facultatieve bufferbatterij PS124 gebruiken waardoor ook bij uitval van het elektriciteitsnet een aantal manoeuvres uitgevoerd kunnen worden.

Tot de lijn SPIN behoren de producten die in tabel 1 en 2 beschreven zijn.

**Tabel 1: beschrijving samenstelling SPIN**

Model type	Reductiemotor	Geleiderail	Radio-ontvanger	Radiozender
SPIN20KCE	SN6021	3x1m	SMXI	FLO2R-S
SPIN21KCE	SN6021	3m	SMXI	FLO2R-S
SPIN30	SN6031	3x1m	---	---
SPIN40	SN6041	3x1m	---	---
SN6031	SN6031	---	---	---
SN6041	SN6041	---	---	---

SN6031 moet voorzien worden van de geleiderails SNA5 (3m) of SNA6 (3m + 1m).

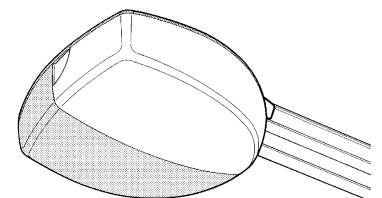
SN6041 moet voorzien worden van de geleiderail SNA6 (3m + 1m).

SPIN30; SPIN40; SN6031 en SN6041 kunnen voorzien worden van de radio-ontvangers SMXI of SMXIS en de daarbijbehorende radiozenders.

**Tabel 2: vergelijking essentiële kenmerken van de reductiemotoren SPIN**

Reductiemotor type	SN6021	SN6031	SN6041
Maximale koppel (overeenkomende met de maximale kracht)	11.7 Nm (650N)	11.7 Nm (650N)	18 Nm (1000N)
Vermindering verbruik tijdens Stand-By	Nee	Si	Si
BlueBus-eenheden maximaal	2	6	6
Stroomtoevoer bij stroomuitval	Nee	met PS124	met PS124
Gebruikerslicht (lampfitting)	12V - 21W (BA15)	230V* - 60W (E27)	230V* - 60W (E27)

\* 120V in de uitvoeringen SPIN/V1



1

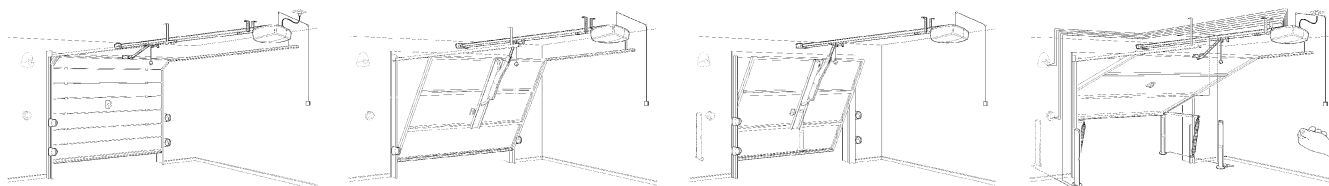
## 2.1) Gebruikslimieten

De gegevens met betrekking tot de prestaties van de producten van de lijn SPIN worden in het hoofdstuk "8 Technische gegevens" weergegeven en zijn de enige waarden waarmee het mogelijk is correct te beoordelen of een product voor bepaald gebruik geschikt is.

De structurele kenmerken van de producten SPIN maken deze geschikt voor toepassing op sectionaal-of kanteldeuren, volgens de limieten zoals die in de tabellen 3, 4 en 5 zijn weergegeven.

**Tabel 3: gebruikslimieten reductiemotoren SPIN**

Model type:	SECTIONAALdeur		Binnen de gevel blijvende kanteldeur (met het accessoire SPA5)		Buiten de gevel draaiende kanteldeur (met het accessoire SPA5) of met veren (zonder SPA5)	
	Hoogte	Breedte	Hoogte	Breedte	Hoogte	Breedte
SPIN20KCE	2.4m	4.4m	2.2m	4.2m	2.8m	4.2m
SPIN21KCE	2.4m	4.4m	2.2m	4.2m	2.8m	4.2m
SPIN30	2.4m	4.4m	2.2m	4.2m	2.8m	4.2m
SPIN40	2.4m	5.2m	2.2m	4.2m	2.8m	4.2m
SN6031 (SNA5)	2.4m	4.4m	2.2m	4.2m	2.8m	4.2m
SN6031 (SNA6)	3.4m	3.1m	3.2m	2.9m	3.5m	3.4m
SN6041 (SNA6)	3.4m	5.2m	3.2m	4.2m	3.5m	4.2m



De maten in tabel 3 vormen slechts een richtlijn en dienen alleen voor een eerste schatting. Het antwoord op de vraag of de SPIN daadwerkelijk geschikt is om een bepaalde deur te automatiseren wordt bepaald door de mate van balancerings van de vleugel; de weerstand die de geleiderails ondervinden en door andere factoren, ook toevallige factoren, zoals de kracht van de wind of de aanwezigheid van ijs die de manoeuvre van de vleugel zouden kunnen belemmeren.

Voor een reële controle is het absoluut noodzakelijk de kracht te meten die noodzakelijk is om de vleugel over de gehele loop te laten bewegen en te controleren dat deze niet het "nominale koppel" overschrijdt zoals dat in hoofdstuk "8 Technische gegevens" is aangegeven; bovendien dient u om het aantal cycli/uur en opeenvolgende cycli vast te stellen, rekening te houden met wat in de tabellen 4 en 5 is aangegeven.

**Tabel 4: limieten in verband met de hoogte van de vleugel**

Hoogte vleugel meter	max. cycli/uur	max. opeenvolgende cycli
Tot 2	20	10
2÷2,5	15	7
2,5÷3	12	5
3÷3,5	10	4

**Tabel 5: limieten in verband met de kracht die noodzakelijk is om de vleugel te laten bewegen**

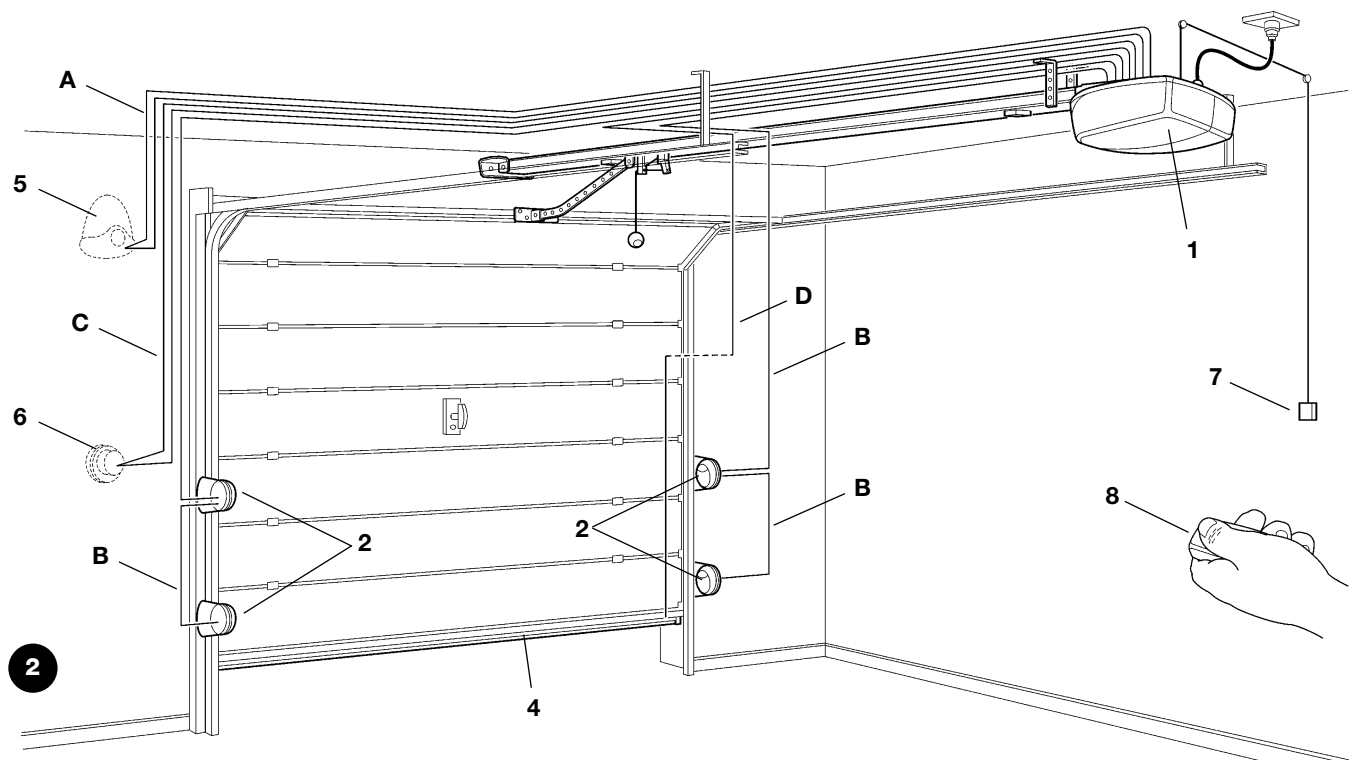
Kracht om de vleugel te laten bewegen N	Percentage reductie aantal cycli	
	SN6021 - SN6031	SN6041
Tot 250	100%	100%
250÷400	70%	90%
400÷500	25%	70%
500÷650	---	40%
650÷850	---	25%

Op grond van de hoogte van de deur kunt u het maximum aantal cycli per uur en het aantal opeenvolgende cycli bepalen, terwijl op grond van de kracht die noodzakelijk is om de deur te bewegen u het percentage van de reductie van het aantal cycli kunt vaststellen; als de vleugel bijvoorbeeld 2,2 m hoog is, zou het mogelijk zijn 15 cycli/uur en 7 opeenvolgende cycli uit te voeren, maar als voor het bewegen van de vleugel 300N noodzakelijk zijn, dient u bij gebruik van de reductiemotor SN6021 deze met 70% terug te brengen; het resultaat is dus 10 cycli/uur en circa 5 opeenvolgende cycli. Om oververhitting te voorkomen heeft de besturingseenheid een begrenzer die gebaseerd is op de kracht die de motor moet ontwikkelen en de duur van de cycli, en die in werking treedt wanneer de maximumgrens wordt overschreden.

**N.B.:** 1kg = 9.81N dus bijvoorbeeld, 500N = 51kg

## 2.2) Typische installatie

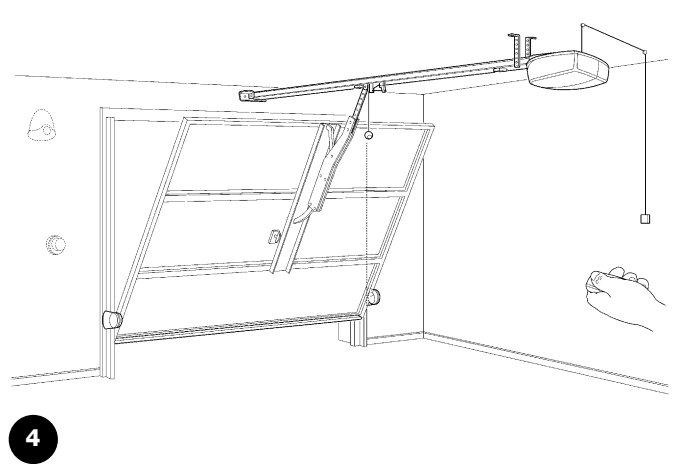
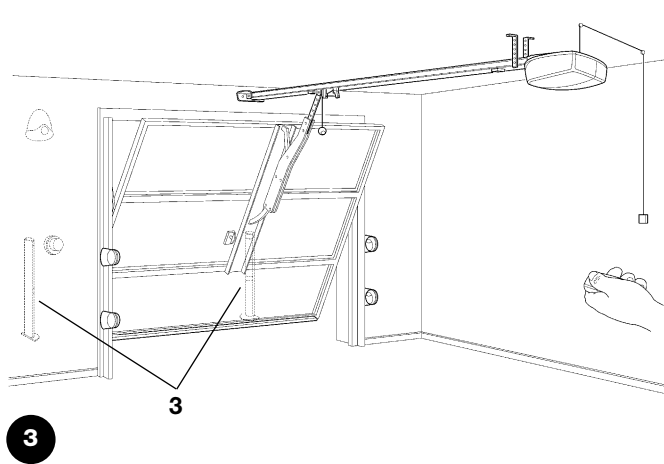
Op de afbeelding 2 vindt u een typische installatie van een sectionaaldeur.



- |                                  |                                       |                       |
|----------------------------------|---------------------------------------|-----------------------|
| 1 SPIN                           | 4 Primaire contactlijst               | 6 Sleutelschakelaar   |
| 2 Fotocellen                     | 5 Knipperlicht met ingebouwde antenne | 7 Kabeltje functie PP |
| 3 Fotocellen op zuiltje (afb. 3) |                                       | 8 Radiozender         |

Op de afbeeldingen 3 en 4 ziet u de typische installatie voor een buiten de gevel draaiende en binnen de gevel blijvende kanteldeur.

**⚠ Voor installatie op kanteldeuren is het accessoire SPA5 noodzakelijk.**



## 2.3) Lijst kabels

Op de typische installatie op afbeelding 2 worden ook de kabels aangegeven die noodzakelijk zijn voor de aansluiting van de verschillende inrichtingen; in tabel 6 worden de kenmerken van de kabels aangegeven.

**⚠ De gebruikte kabels moeten geschikt zijn voor het type installatie; zo bevelen we bijvoorbeeld een kabel van het type H03VV-F aan, wanneer die binnenshuis gebruikt wordt.**

**Tabel 6: lijst kabels**

Aansluiting	Type kabel	Maximaal toegestane lengte
A: Knipperlicht met antenne	1 kabel 2x0,5mm <sup>2</sup> 1 afgeschermd kabel type RG58	20m 20m (aanbevolen lengte minder dan 5m)
B: Fotocellen	1 kabel 2x0,5mm <sup>2</sup>	30m
C: Sleutelschakelaar	2 kabels 2x0,5mm <sup>2</sup> (opm. 1)	50m
D: Primaire contactlijst	1 kabel 2x0,5mm <sup>2</sup> (opm. 2-3)	30m

**Opn. 1:** de twee kabels 2x0,5mm<sup>2</sup> kunnen vervangen worden door één enkele kabel 4x0,5mm<sup>2</sup>.

**Opn. 2:** als er meer dan één lijst is, gelieve u de paragraaf "7.3.2 Ingang STOP" te raadplegen voor het soort aanbevolen aansluiting

**Opn. 3:** voor de aansluiting van de contactlijsten op deuren dient u de nodige maatregelen te nemen die ook aansluiting bij de in beweging zijnde vleugel mogelijk maken.

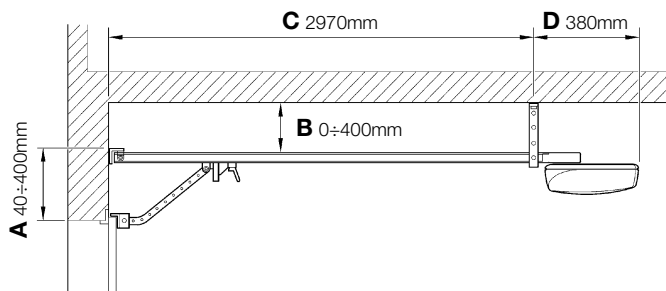
### 3) Installatie

**⚠ De installatie van SPIN dient door gekwalificeerd personeel uitgevoerd te worden waarbij de wetten, voorschriften en regels en wat in deze aanwijzingen staat, in acht worden genomen.**

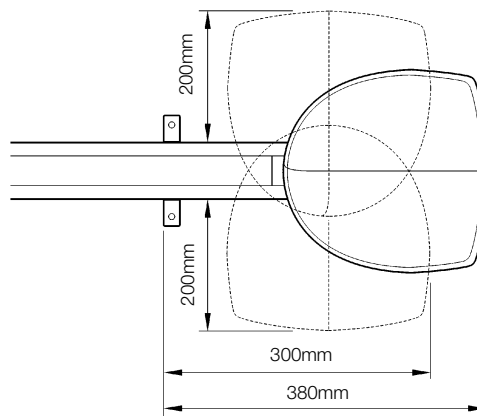
#### 3.1) Controles vooraf

Voordat u met de installatie van SPIN begint, dient u onderstaande controles uit te voeren:

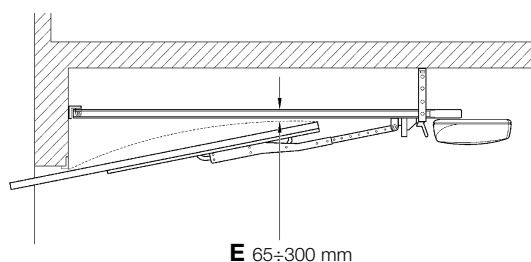
- Vergewis u ervan dat al het te gebruiken materiaal in een optimale staat is en geschikt is voor gebruik en conform de voorschriften.
- Controleer of de structuur van de deur ervoor geschikt is geautomatiseerd te worden.
- Controleer of kracht en afmetingen van de deur binnen de gebruikslimieten zoals die in paragraaf "2.1 Gebruikslimieten" zijn aangegeven, vallen.
- Vergewis u ervan door de waarden uit hoofdstuk "8 Technische gegevens" te vergelijken, dat de statische wrijving (dat wil zeggen de benodigde kracht om de vleugel in beweging te brengen) kleiner is dan de helft van het "Maximale koppel" en dat de dynamische wrijving (dat wil zeggen de benodigde kracht om de vleugel te laten bewegen als deze eenmaal loopt) kleiner is dan de helft van het "Nominale koppel"; het is raadzaam een marge van 50% op deze krachten aan te houden, omdat slechte weersomstandigheden de wrijving kunnen verhogen.
- Controleer of er op de loop van de deur, zowel bij sluiting als opening, punten met een grotere wrijving zijn.
- Controleer of de mechanische stops sterk genoeg zijn en dat er geen gevaar bestaat dat de deur uit geleiderails komt.
- Controleer dat de deur goed is uitgebalanceerd, dat wil zeggen de deur mag niet in beweging komen wanneer de manoeuvre op een willekeurige stand onderbroken wordt.
- Controleer of de punten van bevestiging van de diverse inrichtingen (fotocellen, knoppen, etc...) zo gekozen zijn dat er niet tegen aan gestoten kan worden en of de bevestigingsvlakken stevig genoeg zijn.
- Controleer of de op afbeelding 5 en 6 aangegeven minimum- en maximumruimte voorhanden is.
- Zorg ervoor dat er geen enkel deel van het automatisme in water of een andere vloeistof terecht kan komen
- Houd alle onderdelen van SPIN uit de buurt van relevante warmtebronnen en open vuur. Anders zouden ze schade kunnen oplopen of zouden er storingen, brand of gevaarlijke situaties kunnen ontstaan.
- Indien er in de deur een kleinere toegangsdeur is, dient u zich ervan te vergewissen dat deze de normale loop niet belemmert, en indien dit wel het geval is, voor een adequate blokkering te zorgen.
- Als de te automatiseren deur een kanteldeur is dient u te controleren dat de waarde E op afbeelding 7 d.w.z. de minimumafstand is tussen de bovenzijde van de geleiderail en het hoogste punt dat de bovenzijde van de deur bereikt. Anders kan de SPIN niet gemonteerd worden.
- Steek de stekker voor stroomvoorziening van de SPIN in een elektrisch stopcontact voorzien van randaarde.
- Het stopcontact moet beschermd zijn door een adequate magneetthermische en differentiaalschakelaar.



5



6



7

#### 3.2) Bevestiging SPIN

De bevestiging van SPIN vindt in 3 delen plaats:

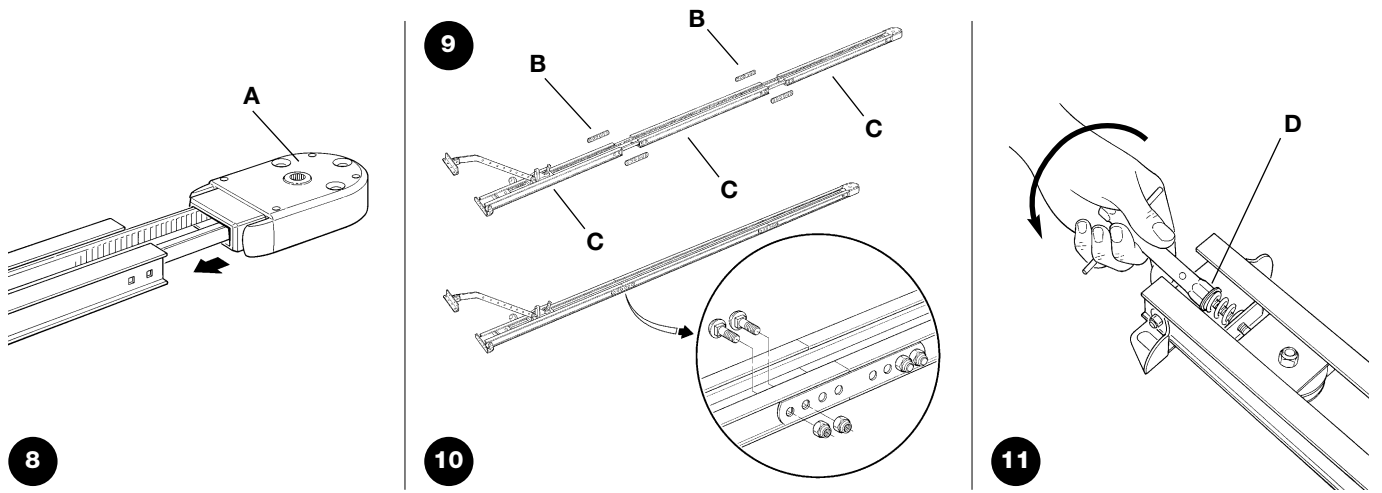
- Assemblage geleiderail (zie paragraaf 3.2.1 voor de bij SPIN20KCE, SPIN30 en SPIN40 meegeleverde geleiderail, paragraaf 3.2.2 voor de geleiderail SNA5 en paragraaf 3.2.3 voor de geleiderail SNA6)
- Bevestiging van de reductiemotor aan de geleiderail (zie paragraaf 3.2.4)
- Bevestiging van de reductiemotor aan het plafond (zie paragraaf 3.2.5)

**⚠ Voor SN6031 dient u over een geleiderail SNA5 of SNA6 te beschikken, terwijl u voor SN6041 een geleiderail SNA6 dient te gebruiken.**

### 3.2.1) Assemblage van de met SPIN20KCE, SPIN30 en SPIN40 meegeleverde geleiderail

De bij SPIN20KCE, SPIN30 en SPIN40 meegeleverde geleiderail dient op onderstaande manier in elkaar gezet te worden:

1. Leg de drie delen van de geleiderail zo, dat de delen met elkaar verbonden kunnen worden. Let op de stand van de riem: de tanden moeten naar binnen gericht zijn en de riem moet recht zijn en niet gedraaid.
2. Assembleer de kop van de geleiderail (A), zoals op afbeelding 8 te zien is. Hiervoor is een zekere kracht vereist; gebruik eventueel een rubber hamer.
3. Bevestig de drie delen (C) met behulp van de koppelingsbeugels (B) aan elkaar, zoals op afbeelding 9 en 10 te zien is.
4. Span de riem aan met behulp van de moer M8 (D), zoals op afbeelding 11 te zien is, totdat u voelt dat die voldoende aangespannen is.



### 3.2.2) Assemblage geleiderail SNA5

De geleiderail SNA5 is reeds voorgemonteerd. Het enige wat u moet doen is de riem met behulp van de moer M8 (D) aanspannen, zoals op afbeelding 11 te zien is, totdat u voelt dat die voldoende aangespannen is.

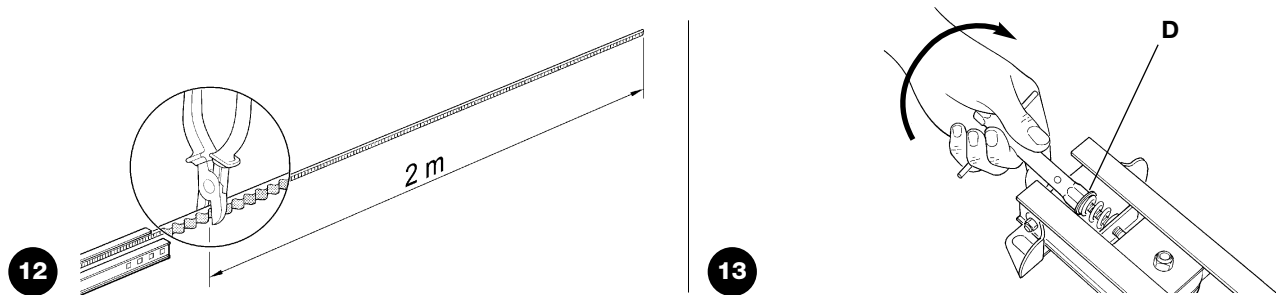
### 3.2.3) Assemblage geleiderail SNA6

De geleiderail SNA6 bestaat uit 2 profielen: één van 3 m en de andere van 1 m, hierdoor is het mogelijk de geleiderail in 2 uitvoeringen te verwezenlijken:

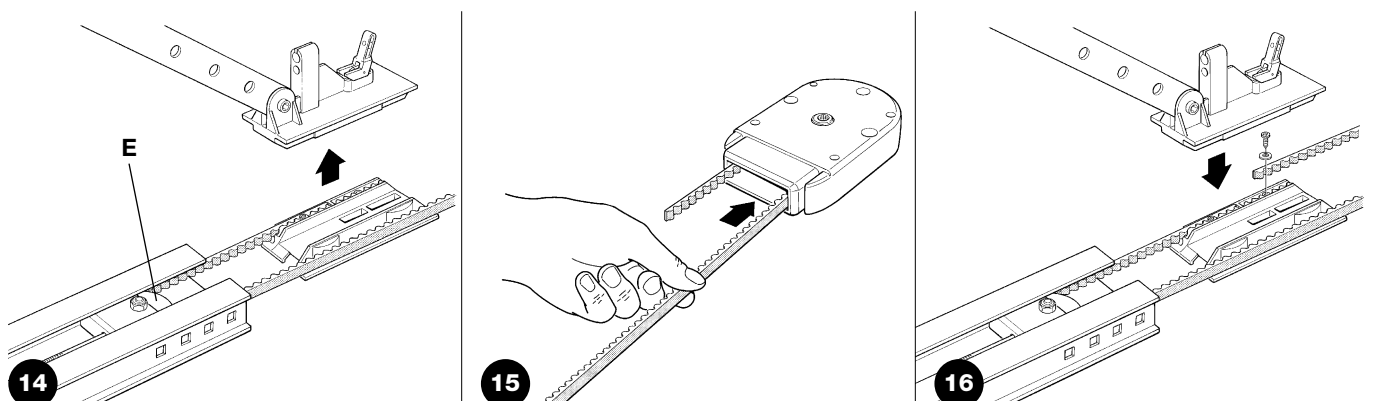
#### Uitvoering van 3m

Als de te automatiseren deur een hoogte van 2,5 m of minder heeft, kunt u de geleiderail als volgt assembleren:

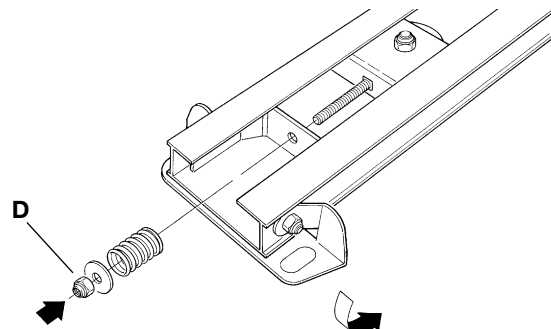
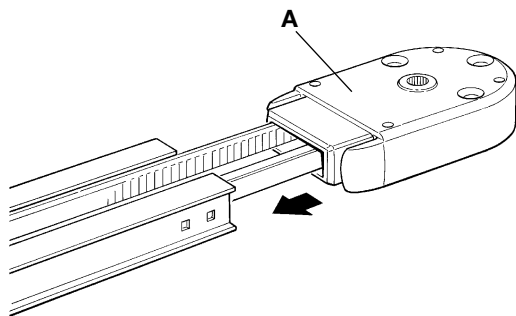
1. Snijd de riem aan het vrije uiteinde op een lengte van precies 2 m af, zoals op afbeelding 12 te zien is.
2. Draai de moer M8 (D) helemaal los, zoals op afbeelding 13 te zien is.



3. Schuif de riemaanspanner (E) tot halverwege de geleiderail, zoals op afbeelding 14 te zien is, en haal de wagen helemaal weg.
4. Haal het vrije uiteinde van de riem door het koppelgedeelte, zoals op afbeelding 15 te zien is, en bevestig dit met de reeds aanwezige schroeven en borgringen aan de wagen, zoals op afbeelding 16 te zien is. Let op de stand van de riem: de tanden moeten naar binnen gericht zijn en de riem moet recht zijn en niet gedraaid.



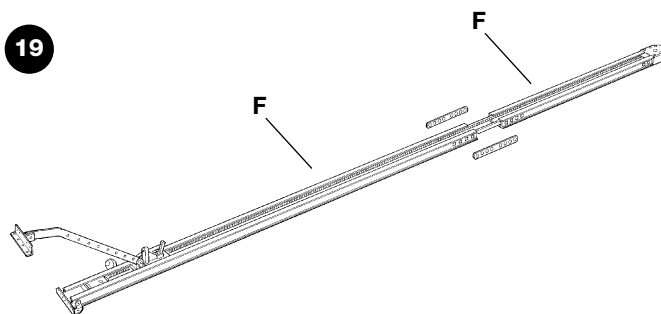
5. Breng de riemaanspanner en de wagen weer terug op de plaats van daarvoor. Assembleer de kop van de geleiderail (A), zoals op afbeelding 17 te zien is. Hiervoor hebt u een bepaalde kracht nodig, gebruik eventueel een rubber hamer.
6. Breng in de schroef van de riemaanspanner de veer, de borgring en de moer M8 (D) aan, zoals op afbeelding 18 te zien is.
7. Span de riem aan met behulp van de moer M8 (D) (afbeelding 11) totdat u voelt dat die voldoende aangespannen is.



### Uitvoering van 4 m

Als de te automatiseren deur hoger is dan 2,5 m dient u de geleiderail als volgt te assembleren:

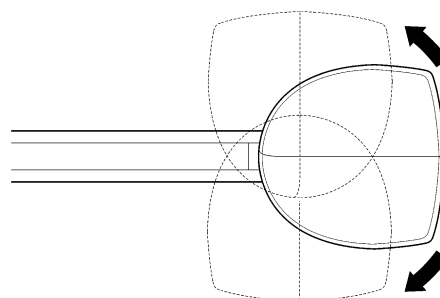
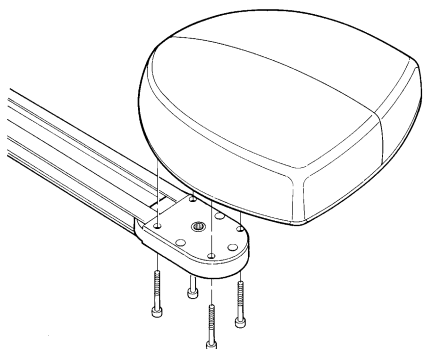
1. Draai de moer M8 (D) helemaal los, zoals op afbeelding 13 te zien is.
2. Schuif de riemaanspanner (E) tot halverwege de geleiderail, zoals op afbeelding 14 te zien is, en haal de wagen helemaal weg.
3. Haal het vrije uiteinde van de riem door het kopgedeelte, zoals op afbeelding 15 te zien is, en bevestig dit met de reeds aanwezige schroeven en borgringen aan de wagen, zoals op afbeelding 16 te zien is. Let op de stand van de riem: de tanden moeten naar binnen gericht zijn en de riem moet recht zijn en niet gedraaid.
4. Assembleer de kop van de geleiderail (A), zoals op afbeelding 17 te zien is. Hiervoor hebt u een bepaalde kracht nodig, gebruik eventueel een rubber hamer.
5. Bevestig de twee delen (F) met behulp van de koppelingsbeugels (B) aan elkaar, zoals op afbeelding 19 te zien is.
6. Breng de riemaanspanner en de wagen weer terug op hun oorspronkelijke plaats.



7. Breng in de schroef van de riemaanspanner de veer, de borgring en de moer M8 aan (D), zoals op afbeelding 18 te zien is.
8. Span de riem met behulp van de moer M8 (D) aan (afbeelding 11) totdat u voelt dat die voldoende aangespannen is.

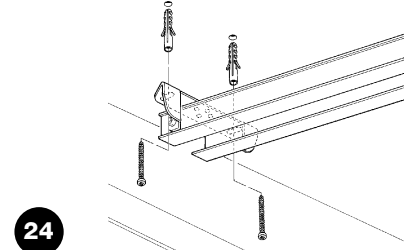
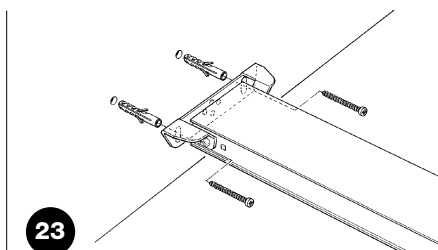
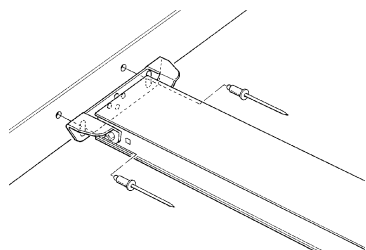
### 3.2.4) Bevestiging van de reductiemotor aan de geleiderail

1. Maak de reductiemotor SPIN aan de kop van de geleiderail (A) vast; bevestig hem vervolgens met de 4 schroeven V6.3x38, zoals op afbeelding 20 te zien is.
2. De motor kan in drie verschillende standen gedraaid worden, zoals op afbeelding 21 te zien is.



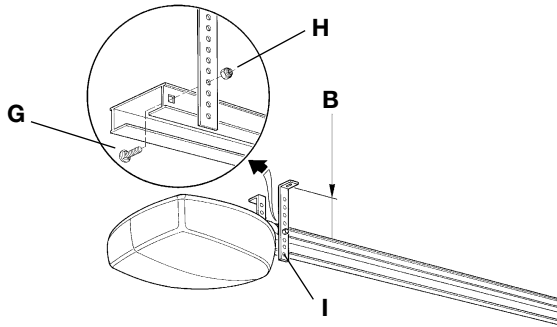
### 3.2.5) Bevestiging van de reductiemotor aan het plafond

1. Teken op grond van de waarden A en B op afbeelding 5 in het midden van de deur de twee punten af waar de voorste beugel van de geleiderail bevestigd moet worden. Op grond van het soort materiaal kan de voorbeugel met nagels, pluggen of schroeven vastgezet worden (afbeeldingen 22, 23). Als de waarden A en B (afbeelding 5) dat toelaten, kan de beugel rechtstreeks op het plafond bevestigd worden, zoals op afbeelding 24 te zien is.

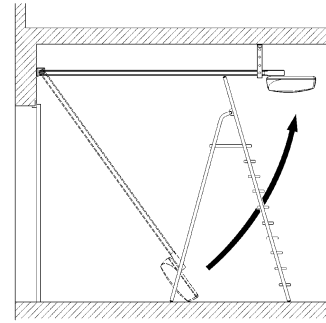




- Nadat u op de afgetekende plaatsen gaten geboord hebt, laat u de kop van de reductiemotor op de grond rusten, tilt de geleiderail aan de voorzijde op en zet die al naar gelang het bevestigingsvlak met twee schroeven, pluggen of nagels vast.
- Bevestig de beugels [I] met de schroeven M6x15 [G] en de moeren M6 [H] en kies daarvoor die boring die u het mogelijk maakt het dichtst de waarde [B] te benaderen, zoals op afbeelding 25 te zien is.
- Til de reductiemotor op en gebruik een trap om de beugels tegen het plafond te plaatsen. Teken de punten af waar geboord moet worden en leg de reductiemotor weer op de grond, zoals op afbeelding 26 te zien is.

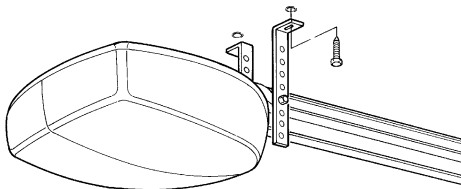


25

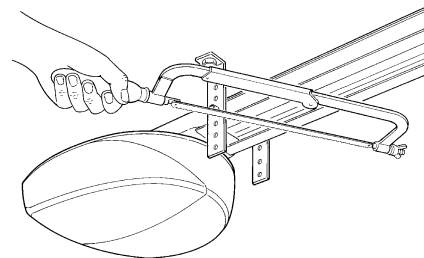


26

- Boor de gaten op de afgetekende plaatsen in het plafond, ga op een trap staan, til de reductiemotor op en breng de beugels op de zoëven geboorde gaten aan en bevestig die met schroeven en pluggen die geschikt zijn voor het materiaal waarvan het plafond gemaakt is, zoals op afbeelding 27 te zien is.
- Controleer of de geleiderail volkomen horizontaal loopt en zaag daarna met een zaagje het overblijvende deel na de beugels af, zoals op afbeelding 28 te zien is.

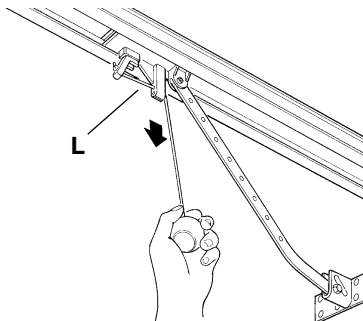


27

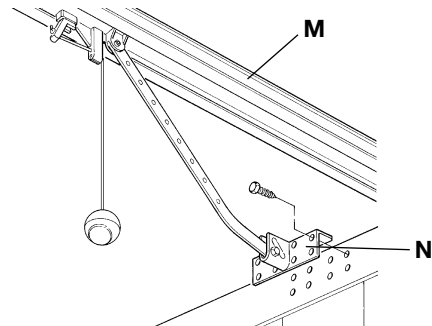


28

- Trek, terwijl de deur dicht is, aan het koord en trek de wagen [L] uit de geleiderail, zoals op afbeelding 29 te zien is.
- Laat de wagen zover lopen, dat de verbindingsbeugel voor de deurleugel [N] zich op de bovenste rand van de deur en volkomen haaks op de geleiderail [M] bevindt. Zet dan de verbindingsbeugel voor de deurleugel [N] met schroeven of klinknagels vast, zoals op afbeelding 30 te zien is. Gebruik schroeven of klinknagels, die voor het materiaal van de deurleugel geschikt zijn en vergevis u ervan dat deze bestand zijn tegen alle krachten die voor het openen en sluiten van de deurleugel vereist zijn.

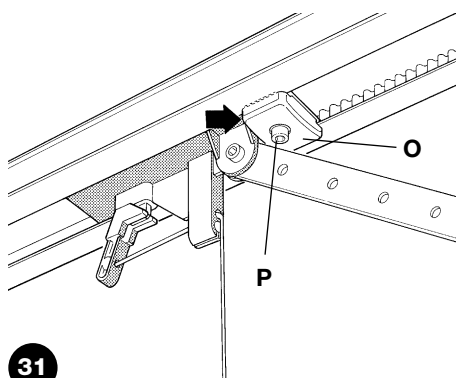


29

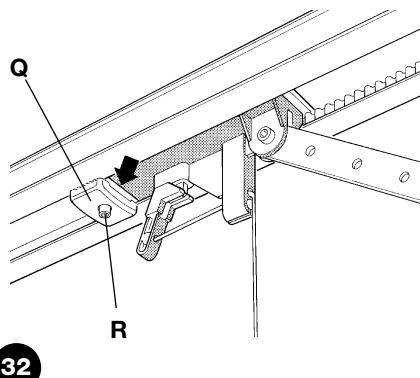


30

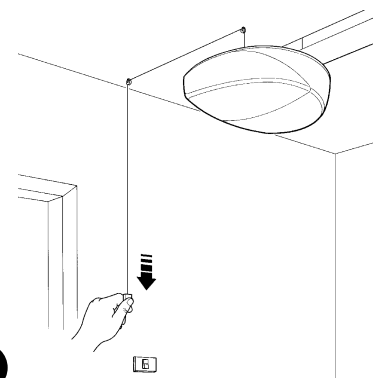
- Draai de schroeven van de beide mechanische eindaanslagen los, verschuif vervolgens de voorste mechanische eindaanslag [O] vóór de wagen, zoals op afbeelding 31 te zien is. Duw de wagen krachtig in de sluitrichting en, draai de schroef [P] stevig vast wanneer deze de stand bereikt heeft.
- Open de deur met de hand tot het gewenste punt van opening, schuif de achterste mechanische eindaanslag [Q] naast de wagen zoals op afbeelding 32 te zien is en zet deze vast door de schroef [R] krachtig aan te draaien.
- Probeer de deur met de hand te bewegen. Verifieer dat de wagen licht loopt, zonder wrijving op de geleiderail en dat de handmatige manoeuvre gemakkelijk verloopt zonder speciale inspanning te vereisen.
- Breng het koordje op de gewenste plaats in de ruimte aan; laat het eventueel over het plafond lopen met behulp van pluggen voorzien van een oog, zoals op afbeelding 33 te zien is.



31



32



33

NL

### 3.3) Installatie van de verschillende inrichtingen

Installeer de andere inrichtingen overeenkomstig de daarop betrekking hebbende aanwijzingen. Controleer in paragraaf "3.5 Beschrijving van de elektrische aansluitingen" en op afbeelding 2 de inrichtingen die op de SPIN kunnen worden aangesloten.

### 3.4) Elektrische aansluitingen

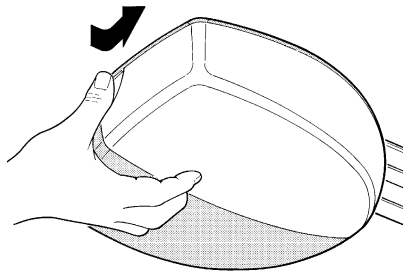
**⚠ Bij het uitvoeren van elektrische aansluitingen mag de installatie absoluut niet onder spanning staan en moet een eventuele bufferbatterij losgekoppeld worden.**

1. Om de beschermingsplaat te openen en bij de elektronische besturingseenheid te kunnen komen dient u aan de zijkant te drukken en deze te draaien zoals op afbeelding 34 te zien is.

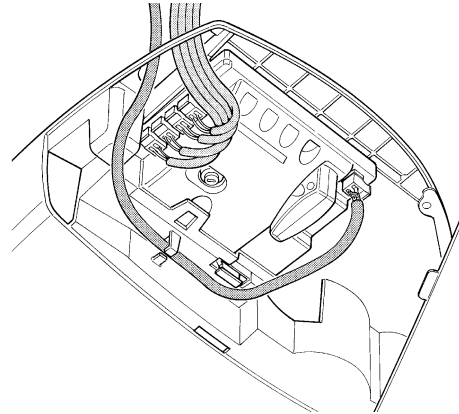
2. Schuif de aansluitingskabels door de opening naar de verschillende inrichtingen, waarbij u deze 20-30 cm langer laat dan noodzakelijk is. Schuif de antennekabel door de kabelring.

Zie tabel 6 voor het type kabels en afbeelding 2 voor de aansluitingen.

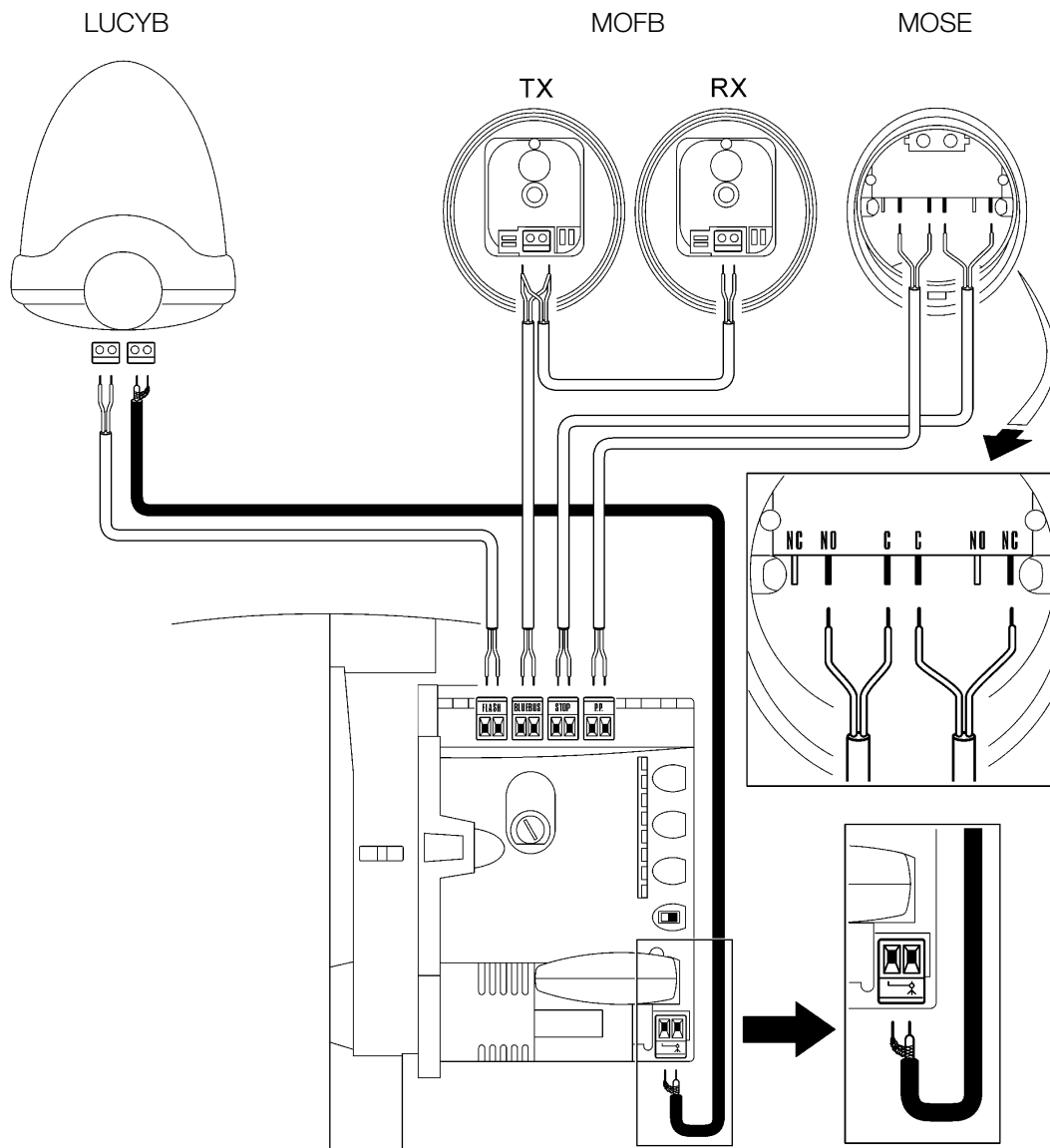
3. Voer de aansluiting van de kabels volgens het schema op afbeelding 36 uit. Voor nog meer gemak zijn de klemmetjes uitneembaar.



34



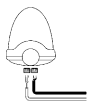
35



### 3.5) Descrizione dei collegamenti elettrici

In deze paragraaf vindt u een beknopte beschrijving van de elektrische aansluitingen; verdere informatie in paragraaf "7.3 Bijplaatsen of wegnemen van inrichtingen".

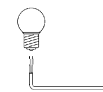
**FLASH:** deze uitgang is programmeerbaar (zie paragraaf 7.2.4) voor het aansluiten van één van onderstaande inrichtingen:



#### Knipperlicht

Indien geprogrammeerd als "knipperlicht" op de uitgang "FLASH" is het mogelijk een knipperlicht van NICE "LUCY B" met een 12V-autolampje van 21W aan te sluiten.

Tijdens de manoeuvre knippert dit met een tijdsduur van 0,5s aan en 0,5s uit.



#### Uitgang "controlelampje deur open"

Indien geprogrammeerd als "controlelampje deur open" op de uitgang "FLASH" kunt u een 24V-controlelampje van max 5W aansluiten voor het signaleren van deur open.

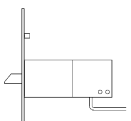
Dit blijft branden wanneer de deur open is en gaat uit wanneer die dicht is. Tijdens een manoeuvre knippert het controlelampje langzaam als de deur open gaat en snel wanneer die dicht gaat.



#### Zuignap

Indien geprogrammeerd als "zuignap" op de uitgang "FLASH", is het mogelijk een 24V-zuignap van max 10W (uitvoeringen met een enkele elektromagneet, zonder elektronische inrichtingen) aan te sluiten.

Wanneer de deur gesloten is, wordt de zuignap geactiveerd waardoor de deur vergrendeld is. Tijdens de openings- of sluitmanoeuvre wordt deze gedeactiveerd.



#### Elektrische vergrendeling

Indien geprogrammeerd als "elektrische vergrendeling" op de uitgang "FLASH" is het mogelijk een elektrische vergrendeling die vanzelf dichtvalt 24V max 10W (uitvoeringen met een enkele elektromagneet, zonder elektronische inrichtingen) aan te sluiten.

Tijdens een openingsmanoeuvre wordt de elektrische vergrendeling korte tijd geopend om de deur vrij te maken en de manoeuvre uit te voeren. Bij de sluitmanoeuvre dient u zich ervan te vergewissen dat de elektrische vergrendeling weer mechanisch aangehaakt wordt.

**⚠ GEBRUIK GEEN ANDERE INRICHTINGEN DAN DIE WELKE VOORZIEN ZIJN**

**BLUEBUS:** op dit klemmetje kunnen de compatibele inrichtingen aangesloten worden; ze worden allemaal parallel verbonden met slechts twee draden waarover zowel de elektrische stroomtoevoer als de communicatiesignalen plaats vinden. Andere informatie over BlueBUS vindt u in paragraaf "7.3.1 BlueBUS".

**STOP:** ingang voor inrichtingen die de lopende manoeuvre kunnen blokkeren of eventueel kunnen onderbreken; Door het uitvoeren van de juiste handelingen kunt u op de ingang STOP contacten van het type "Normaal Dicht", type "Normaal Open" of inrichtingen met een constante weerstand aansluiten. Meer informatie over STOP vindt u in paragraaf "7.3.2 Ingang STOP".

**P.P.:** ingang voor inrichtingen die de manoeuvre aansturen; het is mogelijk contacten van het type "Normaal Open" aan te sluiten. Activering van het kabeltje veroorzaakt een signaal op de ingang PP.

**ANTENNE:** ingang voor aansluiting van de antenne voor de radio-ontvanger. De antenne is in LUCY B ingebouwd; als alternatief kan er een externe antenne gebruikt worden of het stuk kabel dat als antenne functioneert en reeds op het klemmetje aanwezig is, laten zitten.

## 4) Eindcontroles en start

Alvorens met de fase van eindcontroles en de start van de automatisering te beginnen is het raadzaam de wagen los te haken en de deur halverwege te zetten zodat deze zowel vrijelijk open als dicht kan gaan.

### 4.1) Aansluiting op de stroomvoorziening

Voor de elektrische stroomvoorziening van SPIN heeft u alleen maar de stekker daarvan in een stopcontact te steken. Gebruik eventueel een normaal in de handel zijnde adapter als de stekker van SPIN niet in het bestaande stopcontact past..

**⚠ Snijd de bij de SPIN meegeleverde kabel niet af en verwijder hem evenmin.**

**Als er geen stopcontact aanwezig is dient de aansluiting van destroomvoorziening naar de SPIN door ervaren, deskundig personeel in het bezit van de vereiste kenmerken uitgevoerd te worden onder volledige inachtneming van wetten, voorschriften en reglementen.**

**De elektrische voedingsleiding moet tegen kortsluiting en aardlekage beveiligd zijn. Er moet een inrichting aanwezig zijn waarmee de stroomvoorziening tijdens installatie- of onderhoudswerkzaamheden aan de SPIN afgesloten kan worden (u kunt daarvoor de stekker en het stopcontact gebruiken).**

Zodra de SPIN onder spanning staat is het raadzaam enkele eenvoudige controles uit te voeren:

1. Controleer of het ledlampje BlueBUS regelmatig knippert met een frequentie van één knippering per seconden.
2. Als er fotocellen aanwezig zijn, controleer dan dat ook de ledlampjes op de fotocellen (zowel op TX als op RX) knipperen; het is niet van belang hoe ze knipperen, want dat hangt van andere factoren af.
3. Controleer dat de op de uitgang FLASH aangesloten inrichting uit is.
4. Controleer of het gebruikerslicht uit is.

Als dit alles niet gebeurt, dient u onmiddellijk de stroomtoevoer naar de besturingseenheid af te sluiten en de elektrische aansluitingen nauwkeuriger te controleren

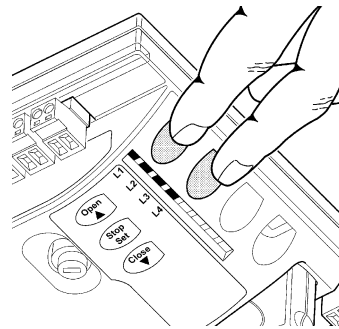
Meer nuttige informatie voor het opsporen van storingen vindt u in paragraaf "7.6 Oplossing van problemen"

#### 4.2) Herkennen van de inrichtingen

Nadat de stroomtoevoer is aangesloten dient u ervoor te zorgen dat de besturingseenheid de op de ingangen BlueBUS en STOP aangesloten inrichtingen herkent. Voordat deze fase begint, knipperen de ledlampjes L1 en L2 om aan te geven dat de procedure voor het herkennen van de inrichtingen dient te worden uitgevoerd.

**⚠ Het herkennen van de inrichtingen dient uitgevoerd te worden ook al is er geen enkele inrichting aangesloten.**

37



1. Druk op de toetsen [s] en [Set] en houd die ingedrukt.
2. Laat de toetsen los wanneer de ledlampjes L1 en L2 heel snel gaan knipperen (na circa 3s)
3. Wacht enkele seconden totdat de besturingseenheid met het herkennen van de inrichtingen klaar is
4. Na afloop hiervan dient het ledlampje STOP te blijven branden, terwijl de ledlampjes L1 en L2 uit zullen gaan (eventueel zullen nu de ledlampjes L3 en L4 gaan knipperen)

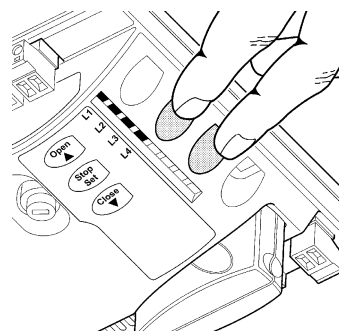
Het herkennen van de aangesloten inrichtingen kan op elk gewenst moment worden uitgevoerd, ook na de installatie als er bijvoorbeeld een inrichting zou worden toegevoegd; voor het uitvoeren van een nieuwe herkenningsfase gelieve u paragraaf "7.3.4 Herkennen van andere inrichtingen" te raadplegen.

#### 4.3) Herkennen van de standen van opening en sluiting van de deur

Nadat de inrichtingen herkend zijn, dient de besturingseenheid de standen van opening en sluiting van de deur te herkennen. In deze fase wordt de loop van de deur vanaf de mechanische stop in sluitstand tot die van de openingsstand gemeten.

Controleer dat de riem goed aangespannen is en dat de twee mechanische stops goed geblokkeerd zijn.

38



1. Haak de wagen vast.
2. Druk op de toetsen [t] en [Set] en houd die ingedrukt.
3. Laat de toetsen weer los wanneer de manoeuvre begint (na ongeveer 3s)
4. Wacht totdat de besturingseenheid de herkenningsfase uitvoert: sluiting, opening en opnieuw sluiting van de deur.
5. Trek aan het kabeltje om een complete openingsmanoeuvre uit te voeren.
6. Trek opnieuw aan het kabeltje om de sluitmanoeuvre uit te voeren.

Tijdens deze manoeuvres slaat de besturingseenheid de kracht nodig voor het openen en sluiten in het geheugen op.

Als na de herkenningsfase de ledlampjes L3 en L4 knipperen, betekent dit dat er een fout is opgetreden; zie paragraaf "7.6 Oplossen van problemen".

**Het is van belang dat deze eerste manoeuvres niet worden onderbroken, b.v. door een instructie STOP.**

**Mocht dat toch gebeuren dan dient u de herkenningsfase opnieuw vanaf punt 1 uit te voeren.**

De herkenningsfase van de standen kan op ieder gewenst moment opnieuw uitgevoerd worden, ook na de installatie (bijvoorbeeld als één van de mechanische stops verplaatst wordt); het is dan voldoende de handelingen vanaf punt 1 uit te voeren.

**⚠ Als tijdens het zoeken van de standen de riem niet genoeg aangespannen is, kan de riem over het rondsel glijden. Mocht dit zich voordoen, dan dient u onmiddellijk de herkenningsprocedure te onderbreken door op de toets [Stop] te drukken; de riem aan te spannen door de moer M8 (D) vast te schroeven zoals op afbeelding 11 te zien is; en vervolgens de herkenningsprocedure vanaf punt 1 opnieuw uit te voeren.**

#### 4.4) Controle van de manoeuvre van de deur

Na het herkennen van de openings- en sluitstanden is het raadzaam enkele manoeuvres uit te voeren om te controleren of de deur correct beweegt..

1. Druk op de toets [Open] om de instructie voor de manoeuvre "Open" te geven; controleer of de deur regelmatig open gaat zonder verandering van snelheid; pas wanneer de deur tussen de 30 en 20 cm van de mechanische stop van de openingsstand verwijderd is, zal hij langzamer moeten gaan lopen en tot stilstand komen op 2÷3 cm vanaf de stop.
2. Druk op de toets [Close] om de instructie voor de manoeuvre "Sluit" te geven; controleer of de deur regelmatig open gaat zonder verandering van snelheid; pas wanneer de deur tussen de 30 en 20 cm van de mechanische stop van de sluitstand verwijderd is, zal hij langzamer moeten gaan lopen en tot stilstand komen tegen de mechanische stop van de sluitstand. Daarna wordt er een korte openingsmanoeuvre uitgevoerd om de spanning van de riem te halen.
3. Controleer dat het knipperlicht (indien aanwezig) tijdens de manoeuvres met een frequentie van 0,5s aan en 0,5s uit knippert.
4. Voer meerdere openings- en sluitmanoeuvres uit om te beoordelen of er eventuele montage- of afstellingsdefecten zijn, of andere onregelmatigheden zijn, zoals punten met een grotere wrijving
5. Controleer dat de reductiemotor, de geleiderail en de mechanische stops solide, stevig en duurzaam bevestigd zijn ook wanneer er zich een plotselinge toename of afname in de beweging van de deur voordoet.

#### 4.5) Vooraf ingestelde functies

De besturingseenheid di SPIN beschikt over enkele programmeerbare functies; in de fabriek worden deze functies in een configuratie afgesteld die voor het merendeel van de automatiseringen optimaal is; in ieder

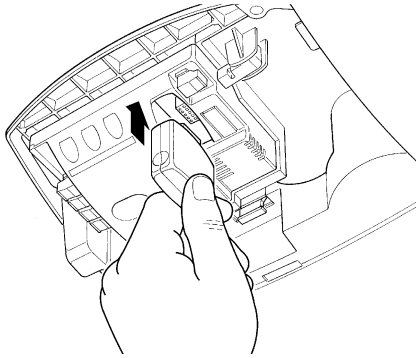
geval kunnen de functies op elk gewenst moment via de juiste programmeringsprocedure gewijzigd worden; raadpleeg hiervoor paragraaf "7.2 Programmeringen".

#### 4.6) Radio-ontvanger

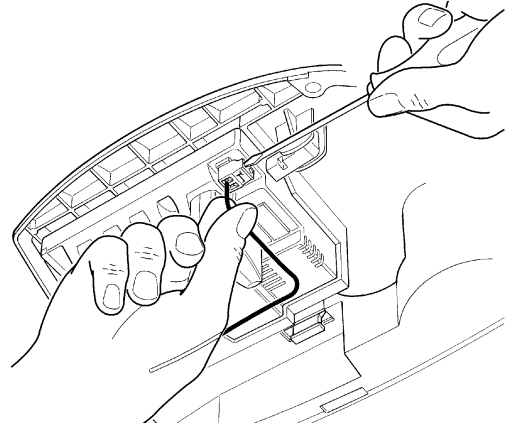
Voor het aansturen op afstand van de SPIN, is er op de besturingseenheid een insteekcontact SM voor radio-ontvangers van het type SMXI of SMXIS. Bij de SPIN20KCE en SPIN21KCE is de radio-ontvanger reeds ingeplugd.

Bij de SPIN30, SPIN40, SN6031 en SN6041 voert u voor het insteken van de radio-ontvanger de handelingen uit die op afbeelding 39 en 40 te zien zijn.

1. Steek de radio-ontvanger erin waarbij u lichtjes drukt
2. Indien de in LUCYB ingebouwde antenne of een ander type externe antenne niet gebruikt wordt, draait u het bij de ontvanger meegeleverde stijve kabeltje op het klemmetje van de antenne.



39



40

#### 4.6.1) Geheugenopslag van de zenders

Elke radiozender wordt door de radio-ontvanger herkend via een "code" die bij elke andere zender anders is. Er is dus een fase van "geheugenopslag" nodig waardoor de ontvanger in staat zal zijn elke afzonderlijke zender te herkennen; de zenders kunnen op 2 manieren in het geheugen van de ontvanger opgeslagen worden:

**Modus I:** in deze modus is de functie van de toetsen van de zender reeds gedefinieerd en is er aan elke toets in de besturingseenheid de instructie gekoppeld zoals die in tabel 7 is weergegeven; er vindt één enkele opslagfase voor elke zender plaats waarvan alle toetsen worden opgeslagen; tijdens deze fase is het niet van belang op welke toets u drukt en wordt er slechts één plaats in het geheugen ingenomen. In modus I kan een zender gewoonlijk slechts één enkele automatisering aansturen.

**Modo II:** in deze modus kan elke afzonderlijke toets van een zender aan één van de 4 mogelijke instructies van de besturingseenheid zoals die in tabel 8 weergegeven zijn, gekoppeld worden; per fase wordt slechts één toets in het geheugen opgenomen en wel die waarop u tijdens de geheugenopslag drukt. In het geheugen wordt één plaats voor elke in het geheugen opgeslagen toets ingenomen. In modus II kunnen verschillende toetsen van dezelfde zender gebruikt worden om meerdere instructies aan dezelfde automatisering te geven. Zo wordt bijvoorbeeld in tabel 9 alleen de automatisering "A" aangestuurd en de toetsen T3 en T4 aan dezelfde instructie gekoppeld; of in het voorbeeld van tabel 10 waar 3 automatiseringen "A" (toetsen T1 en T2), "B" (toets T3) en "C" (toets T4) worden aangestuurd. Tabel 8: instructies beschikbaar in Modus II.

**⚠ Omdat de procedures voor geheugenopslag een tijdlimiet van 10 s kennen, moet u eerst de aanwijzingen in de volgende paragraaf doorlezen en daarna tot uitvoering daarvan overgaan. miet van 10 s kennen, moet u eerst de aanwijzingen in de volgende paragraaf doorlezen en daarna tot uitvoering daarvan overgaan.**

**Tabel 7: geheugenopslag Modus I**

Toets T1	Instructie "PP"
Toets T2	Instructie "Gedeeltelijke opening"
Toets T3	Instructie "Open"
Toets T4	Instructie "Sluit"

N.B.: de zenders met 1 kanaal beschikken alleen over de toets T1, de zenders met twee kanalen beschikken alleen over de toetsen T1 en T2.

**Tabel 8: instructies beschikbaar in Modus II**

1	INSTRUCTIE "PP"
2	INSTRUCTIE "GEDEELTELIJKE OPENING"
3	INSTRUCTIE "OPEN"
4	INSTRUCTIE "SLUIT"

**Tabel 9: 1ste voorbeeld van geheugenopslag in Modus II**

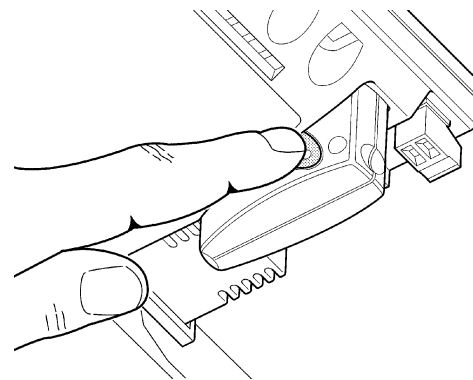
Toets T1	Instructie "Open"	Automatisering A
Toets T2	Instructie "Sluit"	Automatisering A
Toets T3	Instructie "Gedeeltelijke	Automatisering A
Toets T4	Instructie "Gedeeltelijke	Automatisering A

**Tabel 10: 2de voorbeeld van geheugenopslag in Modus II**

Toets T1	Instructie "Open"	Automatisering A
Toets T2	Instructie "Sluit"	Automatisering A
Toets T3	Instructie "PP"	Automatisering B
Toets T4	Instructie "PP"	Automatisering C





NL

#### 4.6.2) Geheugenopslag modus I



41





**Tabel 11: voor het opslaan van een zender in modus I**

	Voorbeeld
1. Druk op het knopje op de ontvanger en houd dit ingedrukt (gedurende circa 3s)	 3s
2. Laat het knopje weer los wanneer het ledlampje op de ontvanger gaat branden	
3. Druk binnen 10s tenminste 2s lang op een willekeurige toets van de te bewaren zender	 2s
4. Als de geheugenopslag tot een goed einde is gekomen zal het ledlampje op de ontvanger 3 maal gaan knipperen.	 x3

Indien er nog meer zenders opgeslagen moeten worden, dient u nogmaals stap 3 binnen 10s uit te voeren. De opslagfase wordt beëindigd, als er binnen 10 seconden geen nieuwe codes ontvangen worden.

#### 4.6.3) Geheugenopslag modus II

**Tabel 12: voor het opslaan van een toets op een zender in modus II**

	Voorbeeld
1. Druk zoveel maal op het knopje op de ontvanger als overeenkomt met het nummer van de gewenste instructie zoals blijkt uit tabel 8	 1...4
2. Controleer dat het ledlampje op de ontvanger zoveel maal knippert als het nummer van de gewenste instructie	 1...4
3. Druk binnen 10s tenminste 2s op de gewenste toets van de in het geheugen te bewaren zender	 2s
4. Als de geheugenopslag tot een goed einde is gekomen zal het ledlampje op de ontvanger 3 maal knipperen.	 x3

Indien er voor dezelfde instructie nog meer zenders opgeslagen moeten worden, dient u punt 3 binnen nog eens 10 s te herhalen. De opslagfase wordt beëindigd, als er binnen 10 seconden geen nieuwe codes ontvangen worden.







#### 4.6.4) Geheugenopslag "op afstand"

U kunt een nieuwe radiozender in het geheugen opslaan zonder rechtstreeks op het knopje van de ontvanger te drukken. U dient dan over een functionerende afstandsbediening te beschikken, die reeds in het geheugen is opgeslagen. De nieuwe te bewaren zender "erft" de kenmerken van die welke reeds in het geheugen bewaard is. Als de eerste zender in modus I opgeslagen is, wordt dus ook de nieuwe in modus I opgeslagen en kunt u dus op een willekeurige toets van de zenders drukken. Als de reeds functionerende zender daarentegen in modus II opgeslagen is, zal ook de nieuwe in modus II worden opgeslagen en is het van belang dat u bij de eerste zender op de toets drukt welke aan de gewenste instructie gekoppeld is, en bij de tweede zender op de toets welke u aan die instructie wilt koppelen.

Ga met de twee zenders binnen het bereik van de automatisering staan en voer de volgende stappen uit:

**⚠ Geheugenopslag op afstand kan plaats vinden in alle besturingseenheden welke zich binnen het bereik van de zender bevinden; het is dus van belang dat alleen die besturingseenheid onder spanning staat welke geprogrammeerd moet worden.**

**Tabel 13: voor het opslaan van een zender "op afstand"**





	Voorbeeld
1. Druk tenminste 5s op de toets van de nieuwe radiozender en laat hem dan weer los.	 5s 
2. Druk 3 keer langzaam op de toets van de reeds in het geheugen bewaarde radiozender.	 1s  1s  1s
3. Druk 1 keer langzaam op de toets van de nieuwe radiozender.	 1s

Nu zal de nieuwe radiozender door de ontvanger herkend worden en zal hij de kenmerken overnemen die de reeds in het geheugen bewaarde zender had. Indien er nog andere zenders opgeslagen moeten worden, dient u alle stappen voor elke nieuwe zender te herhalen.



#### 4.6.5) Wissen van de radiozenders

**Tabel 14: voor het wissen van alle zenders**

	Voorbeeld
1. Druk op het knopje op de ontvanger en houd dit ingedrukt	
2. Wacht dat het ledlampje gaat branden, wacht vervolgens dat het uit gaat en wacht dan dat het 3 maal knippert	
3. Laat de toets los precies wanneer het ledlampje voor de 3de maal knippert	
4. Als de procedure tot een goed einde is gekomen, zal het ledlampje na enige ogenblikken 5 maal knipperen.	

#### 4.6.6) Conformiteitsverklaring ontvanger en radiozenders

##### Conformiteitsverklaring

N°: 151/SMXI

Rev03

Nice S.p.a., Via Pezza Alta 13, 31046 Rustignè di Oderzo (TV) Italia

NICE S.p.a. verklaart dat de radio-ontvangers modellen SMXI, SMXIS en de bijbehorende zenders FLO2R-S en SM2 voldoen aan de essentiële vereisten van de Richtlijn R&TTE 1999/5/CE voor het gebruik waarvoor de apparaten bestemd zijn. Product van Klasse 1, Subklasse 20

Datum: 19 maart 2004

  
Gedelegeerd Bestuurder  
Lauro Buoro

### 5) Opleveringstest en inbedrijfstelling

Dit zijn de belangrijkste fasen bij de aanleg van de automatisering teneinde een zo groot mogelijke veiligheid te garanderen. De opleveringstest kan ook als periodieke controle voor de verschillende inrichtingen van de automatisering gebruikt worden.

**⚠ De opleveringstest van de gehele installatie moet door vakbekwaam en deskundig personeel uitgevoerd worden. Dat moet ook bepalen welke tests in functie van de bestaande risico's noodzakelijk zijn en controleren of de wettelijke voorschriften, regelgeving en regels en met name alle vereisten van norm EN 12445, die de testmethodes voor de controle van automatiseringen voor poorten en deuren bepaalt, in acht genomen zijn.**

#### 5.1) Opleveringstest

Voor elk afzonderlijk onderdeel van het automatische, zoals bijvoorbeeld contactlijsten, fotocellen, noodstop, etc. is een specifieke fase in de opleveringstest vereist; voor deze inrichtingen zullen de procedures uit de desbetreffende handleidingen met aanwijzingen gevolgd moeten worden. Voor de opleveringstest van SPIN dient u onderstaande reeks handelingen uit te voeren:

1. Controleer dat de voorschriften vervat in hoofdstuk 1 "AANBEVELINGEN" nauwkeurig in acht genomen worden.
2. Ontgrendel de deur door het ontgrendelingskabeltje naar beneden te trekken. Verifieer of het mogelijk is de deur handmatig te openen of te sluiten met een kracht die niet groter dan 225N is.
3. Haak de wagen weer vast.
4. Voer gebruikmakend van de schakelaar, de radiozender of het kabeltje, sluit-en openingstests van de deur uit en verifieer of de manoeuvre overeenkomt met wat voorzien is.
5. Het is raadzaam meerdere tests uit te voeren teneinde te beoordelen of de deur soepel loopt en of er eventuele fouten bij het monteren of afstellen gemaakt zijn of dat er speciale wrijvingspunten zijn.
6. Controleer één voor één of alle veiligheidsinrichtingen in de installatie (fotocellen, contactlijsten etc.) goed werken. Met name of het ledlampje "BlueBUS" op de besturingseenheid telkens wanneer een van deze inrichtingen in werking treedt, 2 maal snel knippert ter bevestiging van het feit dat de besturingseenheid de gebeurtenis herkent.
7. Om te controleren of de fotocellen goed werken en met name of er geen interferenties met andere inrichtingen zijn, voert u een 30 cm lange cilinder met een diameter van 5 cm op de optische as, eerst dichtbij de TX, vervolgens dichtbij de RX en tenslotte in het midden van die twee. Ga dan na of de inrichting in alle gevallen in

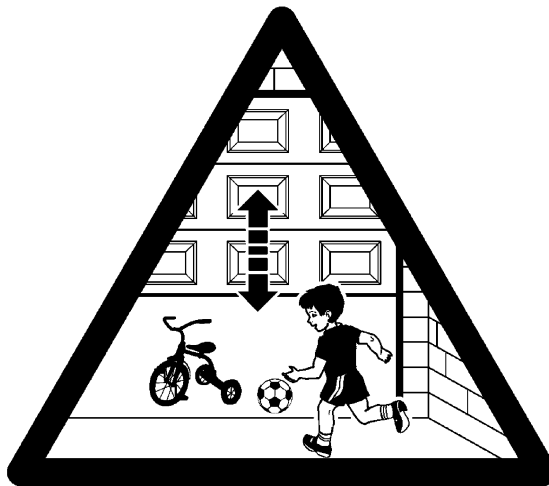
werking treedt en van de actieve status op de alarmstatus overgaat, en omgekeerd. Tenslotte controleert u of dat de voorziene reactie in de besturingseenheid oproept, bijvoorbeeld of bij de sluitmanoeuvre deze niet wordt uitgevoerd.

8. Als gevaarlijke situaties welke door de beweging van de deur opgeheven zijn door middel van beperking van de stootkracht, dient u deze kracht te meten volgens de voorschriften van de norm EN 12445. Als afstelling van de "Snelheid" en de aansturing van het "Motorvermogen" gebruikt worden als hulpmiddel voor het systeem om de stootkracht terug te brengen, probeer dan die instelling te vinden, welke de beste resultaten oplevert

## 5.2) Inbedrijfstelling

Inbedrijfstelling kan alleen plaatsvinden nadat alle fasen van de opleveringstest met succes zijn afgesloten. Gedeeltelijke inbedrijfstelling of in "tijdelijke" situaties is niet toegestaan.

1. Maak een technisch dossier van de automatisering en bewaar dat tenminste 10 jaar, dat tenminste bestaat uit: de overzichtstekening van de automatisering, het schema van de elektrische aansluitingen, een analyse van de risico's en de toegepaste oplossing daarvoor, de conformiteitsverklaringen van alle fabrikanten voor alle gebruikte inrichtingen (gebruik voor SPIN de bijgevoegde CE-Conformiteitsverklaring); kopie van de gebruiksaanwijzingen en het onderhoudsplan van de automatisering.
2. Breng op de deur een niet te verwijderen etiket of plaatje aan waarop de handelingen zijn aangegeven voor het ontgrendelen en handmatig bewegen van de deur (gebruik de afbeeldingen uit "Aanwijzingen en aanbevelingen bestemd voor de gebruiker van de reductiemotor SPIN").
3. Breng op de deur een niet te verwijderen etiket of plaatje aan met daarop deze afbeelding (minimumhoogte 60mm).
4. Breng een plaatje op de deur aan met daarop tenminste de volgende gegevens: type automatisering, naam en adres van de fabrikant (verantwoordelijk voor de "inbedrijfstelling"), serienummer, bouwjaar en "CE"-keurmerk.
5. Vul de conformiteitsverklaring voor de automatisering in en geef hem aan de eigenaar van de automatisering.
6. Maak de handleiding "Aanwijzingen en aanbevelingen voor het gebruik van de automatisering" en geef deze aan de eigenaar van de automatisering.
7. Maak een onderhoudsplan (met daarin de voorschriften voor het onderhoud van alle inrichtingen van de automatisering) en geef dit aan de eigenaar van de automatisering.
8. Informeer vóór de inbedrijfstelling van de automatisering de eigenaar uitvoerig en schriftelijk (bijvoorbeeld in de handleiding met aanwijzingen en aanbevelingen voor het gebruik van de automatisering) over de nog aanwezige gevaren en risico's.



42

## 6) Onderhoud en afvalverwerking

In dit hoofdstuk vindt u de benodigde informatie voor uitvoering van het onderhoudsplan en de afvalverwerking van SPIN.

### 6.1) Onderhoud

Om de veiligheid op een constant niveau te houden en een zo lang mogelijke levensduur van de gehele automatisering te waarborgen is regelmatig onderhoud vereist.

**⚠ Het onderhoud moet uitgevoerd worden met volledige inachtneming van de veiligheidsvoorschriften van deze handleiding en volgens de van kracht zijnde wettelijke voorschriften en regelgeving.**

Volg voor de andere inrichtingen die niet tot de SPIN behoren de aanwijzingen van het desbetreffende onderhoudsplan daarvoor.

1. Voor SPIN is een geprogrammeerde onderhoudsbeurt vereist die tenminste binnen 6 maanden of 3000 manoeuvres na de vorige onderhoudsbeurt uitgevoerd moet worden:
2. Koppel alle bronnen van elektrische stroomvoorziening los, met inbegrip van eventuele bufferbatterijen
3. Controleer alle materialen waaruit de automatisering bestaat op kwaliteitsvermindering en let daarbij met name op aantasting of roestvorming van de structurele delen; vervang die delen welke onvoldoende garantie bieden.
4. Controleer de staat van slijtage van alle bewegende delen: riem, wagen, rondsels en alle delen van de deur; vervang de versleten onderdelen.
5. Sluit de elektrische stroomvoorziening weer aan en voer alle test en controles uit zoals die in paragraaf "5.1 Opleveringstest" voorzien zijn.

### 6.2) Afvalverwerking

SPIN bestaat uit verschillende soorten materiaal, waarvan sommige hergebruikt kunnen worden (aluminium, kunststof, elektriciteitskabels); voor andere is afvalverwerking vereist (batterijen en elektronische kaarten).

**⚠ Sommige elektronische componenten evenals de batterijen zouden vervuilende stoffen kunnen bevatten. Laat ze niet in het milieu achter. Stel u op de hoogte van de recyclingsystemen of afvalverwerking en houd u daarbij aan de plaatselijk geldende voorschriften.**

1. Koppel alle bronnen van elektrische stroomvoorziening voor de automatisering los, met inbegrip van eventuele bufferbatterijen.
2. Demonteer alle inrichtingen en accessoires, waarbij u de procedure in omgekeerde volgorde volgt ten opzichte van die welke in hoofdstuk "3 Installatie" beschreven is
3. Scheid voor zover mogelijk die onderdelen die hergebruikt of verwerkt kunnen of moeten worden, zoals bijvoorbeeld de metalen delen van de kunststof delen, elektronische kaarten, batterijen, etc.
4. Sorteer de diverse elektrische en recycleerbare materialen en geef deze aan bedrijven die zich met het hergebruik en de afvalverwerking daarvan bezighouden.



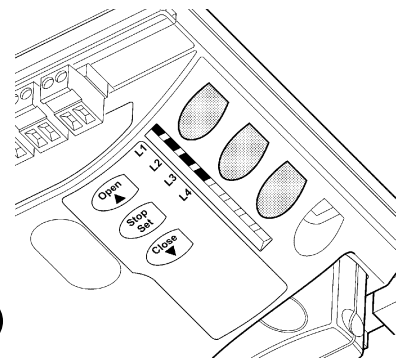
## 7) Verdere details

In dit hoofdstuk worden de mogelijkheden ten aanzien van programmering, aanpassing aan de persoonlijke behoeften van de gebruiker, diagnostiek en opsporing van storingen met betrekking tot SPIN behandeld.

### 7.1) Programmeertoetsen

Op de besturingseenheid van SPIN bevinden zich 3 toetsen die gebruikt kunnen worden zowel om de besturingseenheid tijdens de tests aan te sturen als voor het programmeren:

<b>Open</b> s	Met de toets "OPEN" kunt u de opening van de deur aansturen; of het punt van programmering naar boven verplaatsen.
<b>Stop</b> <b>Set</b>	Met de toets "STOP" kunt u de manoeuvre onderbreken; als u hem langer dan 5 seconden ingedrukt houdt kunt u de programmering binnengaan.
<b>Close</b> t	Met de toets "CLOSE" kunt u de sluiting van de deur aansturen; of het punt van programmering naar beneden verplaatsen.



### 7.2) Programmeringen

Op de besturingseenheid van SPIN zijn enkele programmeerbare functies beschikbaar; instelling van deze functies vindt plaats met behulp van 3 toetsen op de besturingseenheid: [s] [Set] [t] en worden zichtbaar gemaakt via 4 ledlampjes: **L1....L4**.

De programmeerbare functies welke op SPIN beschikbaar zijn, zijn over 2 niveaus verdeeld:

**Eerste niveau:** functies instelbaar in modus ON-OFF (actief of niet actief); in dit geval geeft elk ledlampje **L1....L4** een functie aan; als het aan is, is de functie actief, als het uit is, is de functie niet actief; zie tabel 15.

**Tweede niveau:** parameters die op een schaal instelbaar zijn (waarden van 1 tot 4); in dit geval geeft elk ledlampje **L1....L4** de waarde aan welke is afgesteld op één van de 4 mogelijke waarden; zie tabel 17.

#### 7.2.1) Functies eerste niveau (functies ON-OFF)


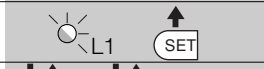



**Tabel 15: lijst programmeerbare functies: eerste niveau**

Ledlampje	Functie	Beschrijving
<b>L1</b>	Automatische sluiting	Met deze functie is een automatische sluiting van de deur mogelijk na afloop van de geprogrammeerde pauzeduur; in de fabriek is de Pauzeduur afgesteld op 20 seconden maar dit kan gewijzigd worden in 10, 20, 40 of 80 seconden (zie tabel 17). Als deze functie niet geactiveerd is, werkt de deur "semi-automatisch".
<b>L2</b>	Terugloop Na Foto	Wanneer de fotocellen (foto en foto II) vrijgekomen zijn, genereert deze functie een "Automatische Sluiting" met een "Pauzeduur" van 5s, ook al is de pauzeduur op een hogere waarde geprogrammeerd; de modaliteit daarvan verschilt al naargelang de "Automatische Sluiting" al dan niet actief is. <b>Wanneer de "Automatische Sluiting" actief is:</b> Ide openingsmanoeuvre zal onmiddellijk stoppen nadat de fotocellen vrijgekomen zijn en na 5s zal de sluitmanoeuvre starten. Als de functie "Terugloop Na Foto2 niet actief is zal de pauzeduur de geprogrammeerde waarde hebben. <b>Wanneer "Automatische Sluiting" niet actief is:</b> de openingsmanoeuvre zal niet onderbroken worden maar het vrijkomen van de fotocellen heeft de activering van de "Automatische Sluiting" met een "Pauzeduur" van 5s ten gevolge. Als de functie "Terugloop Na Foto" niet actief is, zal er geen automatische sluiting plaatsvinden.
<b>L3</b>	Kracht motor	Met deze functie kunt u de gevoeligheid van de aansturing van de kracht van de motor kiezen om deze aan het type deur aan te passen. Als deze functie actief is, is de gevoeligheid meer voor kleinere en lichtere deuren geschikt. Als deze functie niet actief is de gevoeligheid meer voor grotere en zwaardere deuren geschikt.
<b>L4</b>	Stand-By	Met deze functie kunt u het verbruik zoveel mogelijk beperken; dit is met name nuttig wanneer de deur op de bufferbatterij werkt. Als deze functie geactiveerd wordt, schakelt de besturingseenheid 1 minuut nadat de manoeuvre ten einde is, de uitgang BlueBUS (en dus de inrichtingen) uit, evenals alle ledlampjes met uitsluiting van het ledlampje BlueBUS dat langzamer zal gaan knipperen. Wanneer er een instructie gegeven wordt zal de besturingseenheid de totale werking herstellen. Als de functie niet actief is zal er geen beperking van het energieverbruik zijn.

Bij normaal functioneren van SPIN zijn de ledlampjes **L1....L4** aan of uit op basis van de status van de functie waaraan zij gekoppeld zijn, bijvoorbeeld L1 is aan als de "Automatische Sluiting" actief is.

### 7.2.2 Programmering eerste niveau (functies ON-OFF)

In de fabriek worden alle functies van het eerste niveau op "OFF" gezet, maar dat kan op elk gewenst moment veranderd worden zoals in tabel 16 is aangegeven. Let bij het uitvoeren van deze procedure goed op, want er is een tijdlimiet van 10s tussen het moment waarop u op de ene toets en vervolgens op de andere drukt; wanneer deze limiet overschreven wordt, zal de procedure automatisch beëindigd worden waarbij de wijzigingen die tot dat moment aangebracht zijn, in het geheugen worden opgeslagen.

Tabel 16: voor het wijzigen van de functies ON-OFF		Voorbeeld
1.	Druk op de toets <b>[Set]</b> en houd die ongeveer 3s ingedrukt	
2.	Laat de toets <b>[Set]</b> los wanneer het ledlampje L1 begint te knipperen	
3.	Druk op de toetsen <b>[s]</b> of <b>[t]</b> om het knipperende ledlampje te verplaatsen op het ledlampje dat de te wijzigen functie vertegenwoordigt	
4.	Druk op de toets <b>[Set]</b> om de status van de functie te wijzigen (kort knipperen = OFF; lang knipperen = ON)	
5.	Wacht 10s om de programmering wegens het verstrijken van de maximale tijdsduur te verlaten.	

N.B.: de punten 3 en 4 kunnen tijdens dezelfde programmeringsfase herhaald worden om andere functies op ON of OFF te zetten

### 7.2.3 Functies tweede niveau (instelbare parameters)

Tabel 17: lijst programmeerbare functies: tweede niveau				
Ledlampje van ingang	Parameter	Ledlampje (niveau)	waarde	Beschrijving
L1	Pauzeduur	L1	10 seconden	Stelt de pauzeduur af, dat wil zeggen de tijd die er voor een automatische sluiting verstrijkt. Dit gebeurt alleen als de automatische sluiting actief is.
		L2	20 seconden	
		L3	40 seconden	
		L4	80 seconden	
L2	Functie P.P.	L1	Open - stop - sluit- stop	Stelt de reeks instructies af die gekoppeld zijn aan de ingang P.P of aan de eerste radioinstructie (zie tabellen 7 en 8).
		L2	Open - stop - sluit- open	
		L3	Woonblok	
		L4	Iemand aanwezig	
L3	Snelheid motor	L1	Zeer langzaam	Stelt de snelheid van de motor af wanneer die normaal loopt.
		L2	Langzaam	
		L3	Normaal	
		L4	Snel	
L4	Uitgang FLASH	L1	Controlelampje Deur Open	Selecteert de aan de uitgang FLASH gekoppelde inrichting.
		L2	Knipperlicht	
		L3	Elektrische vergrendeling	
		L4	Zuignap	

N.B.: "■" geeft de fabrieksinstelling weer

Alle parameters kunnen zonder enige contra-indicatie naar wens ingesteld worden; alleen het kiezen van de op de uitgang "FLASH" aangesloten inrichting vereist bijzondere aandacht:

**⚠ Voordat u de inrichting op de uitgang "FLASH" aansluit dient u zich ervan te verzekeren de functie correct geprogrammeerd te hebben. Zo niet, bestaat er gevaar schade aan de inrichting te veroorzaken.**

### 7.2.4 Programmering tweede niveau (instelbare parameters)

In de fabriek worden alle instelbare parametersfuncties ingesteld zoals in tabel 17 wordt aangegeven met: "■" maar die kunnen op elk gewenst moment worden gewijzigd zoals in tabel 18 is aangegeven. Let bij het uitvoeren van deze procedure goed op, want er is een tijdlimiet van 10s tussen het moment waarop u op de ene toets en vervolgens op de andere drukt; wanneer deze limiet overschreven wordt zal de procedure automatisch beëindigd worden waarbij de wijzigingen dit tot dat moment aangebracht zijn, in het geheugen worden opgeslagen.

Tabel 18: voor het wijzigen van instelbare parameters		Voorbeeld
1.	Druk op de toets <b>[Set]</b> en houd die ongeveer 3s ingedrukt	
2.	Laat de toets <b>[Set]</b> los wanneer het ledlampje L1 begint te knipperen	
3.	Druk op de toetsen <b>[s]</b> of <b>[t]</b> om het knipperende ledlampje te verplaatsen op het "ledlampje ingang" dat de te wijzigen parameter vertegenwoordigt	
4.	Druk op de toets <b>[Set]</b> en houd die ingedrukt; de toets <b>[Set]</b> dient tijdens de stappen 5 en 6 voortdurend ingedrukt te blijven	
5.	Wacht ongeveer 3s waarna dat ledlampje zal gaan branden het actuele niveau van de te wijzigen parameter vertegenwoordigt	
6.	Druk op de toetsen <b>[s]</b> of <b>[t]</b> om het ledlampje dat de waarde van de parameter vertegenwoordigt, te verplaatsen.	
7.	Laat de toets <b>[Set]</b> los	
8.	Wacht 10s om de programmering wegens het verstrijken van de maximale tijdsduur te verlaten.	

N.B.: de punten 3 tot 7 kunnen tijdens dezelfde programmeringsfase herhaald worden om nog andere parameters in te stellen

### 7.2.5 Voorbeeld van programmering eerste niveau (functies ON-OFF)

Als voorbeeld wordt de reeks handelingen gegeven die noodzakelijk is voor het wijzigen van de fabrieksinstelling van de functies voor het activeren van de functies "Automatische Sluiting" (L1) en "Motorvermogen" (L3).

Tabel 19: voorbeeld van programmering eerste niveau	Voorbeeld
1. Druk op de toets <b>[Set]</b> en houd die ongeveer 3s ingedrukt	
2. Laat de toets <b>[Set]</b> los wanneer het ledlampje L1 ibegint te knipperen	
3. Druk een maal op de toets <b>[Set]</b> de status van de aan L1 gekoppelde functie (Automatische Sluiting) te wijzigen; nu zal het ledlampje L1 met lange knipperingen gaan knipperen	
4. Druk 2 maal op de toets <b>[t]</b> om het knipperende ledlampje op het ledlampje L3 te verplaatsen	
5. Druk één maal op de toets <b>[Set]</b> om de status van de aan L3 gekoppelde functie (Kracht motor) te wijzigen; nu zal het ledlampje L3 met lange knipperingen gaan knipperen	
6. Wacht 10s om de programmering wegens het verstrijken van de maximale tijdsduur te verlaten	

Na deze handelingen moeten de ledlampjes L1 en L3 blijven branden om aan te geven dat de functies "Automatische Sluiting" en "Kracht motor" actief zijn.

### 7.2.6 Voorbeeld van programmering tweede niveau (instelbare parameters)

Als voorbeeld geven wij de reeks handelingen die nodig is om de fabrieksinstelling van de parameters te wijzigen en de "Pauzeduur" tot 80s te verlengen (ingang op L1 en niveau op L4) en selezionare voor de Uitgang FLASH" het Controlelampje Deur Open (ingang op L4 en niveau op L1).

Tabel 20: voorbeeld van programmering tweede niveau	Voorbeeld
1. Druk op de toets <b>[Set]</b> en houd die ongeveer 3s ingedrukt	
2. Laat de toets <b>[Set]</b> los wanneer het ledlampje L1 begint te knipperen	
3. Druk op de toets <b>[Set]</b> ; en houd die ingedrukt; de toets <b>[Set]</b> dient tijdens de stappen 4 en 5 ingedrukt te blijven	
4. Wacht ongeveer 3s tot het ledlampje L2 gaat branden dat het actuele niveau van de "Pauzeduur" vertegenwoordigt	
5. Druk 2 maal op de toets <b>[t]</b> om het brandende ledlampje naar L4 te verplaatsen dat de nieuwe waarde van de "Pauzeduur" vertegenwoordigt	
6. Laat de toets <b>[Set]</b> weer los	
7. Druk 3 maal op de toets <b>[t]</b> om het knipperende ledlampje naar het ledlampje L4 te verplaatsen	
8. Druk op de toets <b>[Set]</b> ; en houd die ingedrukt; de toets <b>[Set]</b> dient tijdens de stappen 9 en 10 ingedrukt te blijven	
9. Wacht ongeveer 3s tot het ledlampje L2 gaat branden dat de actuele aan de "Uitgang FLASH", gekoppelde inrichting vertegenwoordigt, dat wil zeggen het knipperlicht.	
10. Druk 1 maal op de toets <b>[s]</b> om het brandende ledlampje naar het ledlampje L1 te verplaatsen dat de nieuwe aan de "Uitgang FLASH", gekoppelde inrichting vertegenwoordigt, dat wil zeggen het Controlelampje Deur Open.	
11. Laat de toets <b>[Set]</b> los	
12. Wacht 10s om de programmering wegens het verstrijken van de maximale tijdsduur te verlaten.	

### 7.3) Bijplaatsen of wegnemen van inrichtingen

U kunt op elk gewenst moment een inrichting aan een automatisering met SPIN toevoegen of er een uit verwijderen. Met name op "BlueBUS" en op de ingang "STOP" kunnen er verschillende soorten

inrichtingen aangesloten worden zoals dat in de paragrafen "7.3.1 BlueBUS" en "7.3.2 Ingang STOP" is aangegeven.

#### 7.3.1) BlueBUS

BlueBUS is een techniek waarmee de aansluiting van compatibele inrichtingen uitgevoerd kunnen worden met slechts twee geleiders waarover zowel de elektrische stroomvoorziening als de communicatiesignalen gaan. Alle inrichtingen zijn parallel op dezelfde 2 geleiders van de BlueBUS aangesloten. Elke inrichting wordt afzonderlijk herkend omdat er tijdens de installatie een eenduidig adres aan toegewezen is. Op BlueBUS kunnen bijvoorbeeld worden aangesloten: fotocellen, veiligheidsinrichtingen, bedieningsknoppen, signaleringslampjes etc. De besturingseenheid van SPIN herkent via een ade

quate herkenningfase alle aangesloten inrichtingen afzonderlijk en is in staat alle mogelijke storingen met zeer grote zekerheid waar te nemen. Om deze reden dient u telkens wanneer er een op BlueBUS aangesloten inrichting wordt toegevoegd of weggenomen in de besturingseenheid een herkenningfase uit te voeren zoals dat in paragraaf "7.3.4 Herkennen van andere inrichtingen" beschreven is.

### 7.3.2) Ingang STOP

STOP is de ingang die onmiddellijke stilstand van de manoeuvre veroorzaakt (met een kortstondige omkering). Op deze ingang kunnen de inrichtingen met uitgang met normaal open contacten "NO" aangesloten worden, maar ook inrichtingen met normaal gesloten contacten "NC" of inrichtingen met een uitgang met constante weerstand  $8,2K\Omega$ , zoals bijvoorbeeld de contactlijsten.

Net als bij de BlueBUS, herkent de besturingseenheid tijdens de herkenningfase het op de ingang STOP aangesloten type inrichting (zie paragraaf "7.3.4 Herkennen van andere inrichtingen"); daarna wordt een STOP veroorzaakt indien er zich een wijziging voordoet ten opzichte van de herkende staat.

Door het uitvoeren van de juiste handelingen kunt u op de STOP-ingang meer dan één inrichting aansluiten, ook al zijn die niet van het hetzelfde type.

- Er kunnen meerdere NO inrichtingen parallel op elkaar aangesloten worden zonder beperking van het aantal daarvan

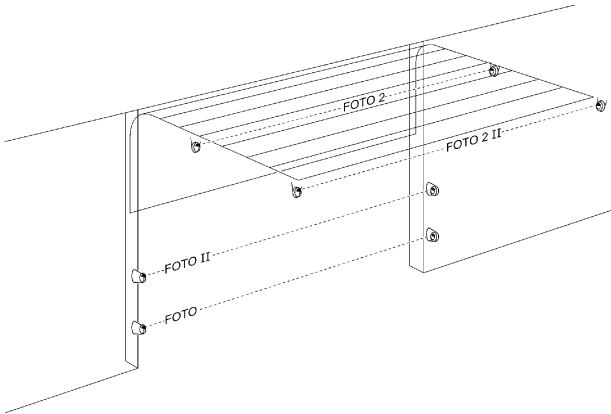
- Er kunnen meerdere NC inrichtingen serieel op elkaar aangesloten worden zonder beperking van het aantal daarvan
- U kunt slechts 2 inrichtingen met een uitgang met constante weerstand  $8,2K\Omega$  parallel verbinden. Eventueel moeten meer inrichtingen via een „cascadeschakeling“ op één enkele eindweerstand van  $8,2K\Omega$  aangesloten
- Een combinatie NO en NC is mogelijk door de 2 contacten parallel te schakelen en met contact NC serieel een weerstand van  $8,2K\Omega$  te verbinden (en dus is ook de combinatie van de 3 inrichtingen mogelijk: NO, NC en  $8,2K\Omega$ ).

**⚠ Let op: indien de ingang STOP gebruikt wordt om inrichtingen met een veiligheidsfunctie aan te sluiten, garanderen alleen die inrichtingen welke een uitgang met een constante weerstand van  $8,2K\Omega$  hebben, de veiligheids categorie 3 tegen storingen volgens de norm EN 954-1.**

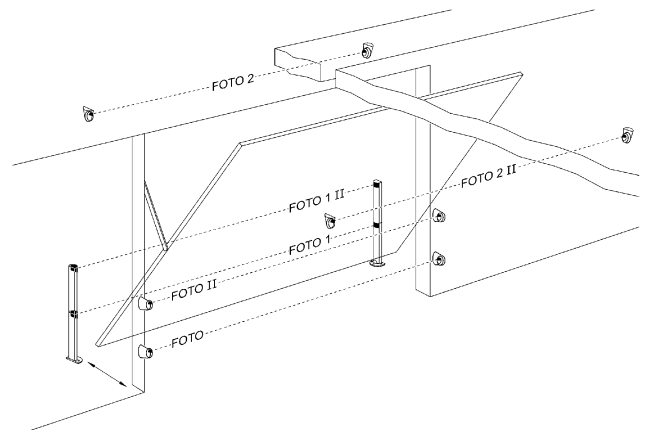
### 7.3.3) Fotocellen

Voor een goede herkenning van de fotocellen door de besturingseenheid, moet de adrestoewijzing daarvan via de speciale brugverbindingen plaatsvinden. Dankzij het systeem "BlueBUS" kan de besturingseenheid via adrestoewijzing via de speciale bruggetjes, de fotocellen herkennen en kan een correcte waarnemingsfunctie toegewezen worden. De adrestoewijzing moet zowel op de TX als op de RX plaatsvinden (en de brugverbindingen op dezelfde wijze uitgevoerd worden). Controleer of er geen andere fotocellenparen met hetzelfde adres zijn. In een automatische voor sectionaaldeuren of binnen de gevel blijvende kanteldeuren kunt u de fotocellen installe

ren zoals dat op afbeelding 44 te zien is. In een automatische met buiten de gevel draaiende kanteldeuren gelieve u afbeelding 45 te raadplegen. Foto 2 en Foto 2II worden in speciale installaties gebruikt die een complete beveiliging van het automatisme vereisen, ook tijdens de opening. Na de installatie of het wegnemen van fotocellen dient u een herkenningprocedure in de besturingseenheid uit te voeren zoals in paragraaf "7.3.4 Herkennen van andere inrichtingen" beschreven is.



44



45




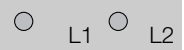
**Tabel 21: adressen van de fotocellen**

Fotocel	Bruggetjes	Fotocel	Bruggetjes
<b>FOTO</b> Fotocel h = 50 50 met inwerkingtreding tijdens sluiting		<b>FOTO 2</b> 2Fotocel met inwerkingtreding tijdens opening	
<b>FOTO II</b> Fotocel h = 100 100met inwerkingtreding tijdens sluiting		<b>FOTO 2 II</b> Fotocel met inwerkingtreding tijdens opening	
<b>FOTO 1</b> Fotocel h = 50 50 met inwerkingtreding zowel tijdens sluiting als tijdens opening		<b>FOTO 3</b> <b>VERBODEN CONFIGURATIE</b>	
<b>FOTO 1 II</b> Fotocel h = 100 met inwerkingtreding zowel tijdens sluiting als tijdens opening			

**⚠ Op SPIN20KCE en SPIN21KCE heeft de uitgang BlueBUS een maximale belasting van 2 eenheden. Op SPIN30, SN6031, SPIN40 en SN6041 is de maximale belasting 6 eenheden; een stel fotocellen absorbeert een vermogen van 1 eenheid BlueBUS.**

### 7.3.4) Herkennen van andere inrichtingen

Normaal gesproken vindt het herkennen van de op BlueBUS en de ingang STOP aangesloten inrichtingen tijdens de installatiefase plaats; het is echter mogelijk wanneer er inrichtingen bijgeplaatst of weggenomen worden de herkenningfase opnieuw uit te voeren en wel op de volgende manier:

Tabel 22: voor het herkennen van andere inrichtingen		Voorbeeld
1.	Druk op de toetsen [s] en [Set] en houd die ingedrukt	
2.	RLaat de toetsen los wanneer de ledlampjes L1 en L2 heel snel beginnen te knipperen (na ongeveer 3s)	
3.	Wacht enkele seconden totdat de besturingseenheid met het herkennen van de inrichtingen gereed is	
4.	Aan het einde van de herkenningfase moeten de ledlampjes L1 en L2 ophouden te knipperen, het ledlampje STOP blijven branden terwijl de ledlampjes L1...L4 zullen gaan branden op basis van de status van de functies ON-OFF die zij vertegenwoordigen.	

**⚠ Na bijplaatsing of wegname van een inrichting moet de opleveringstest van de automatisering opnieuw uitgevoerd worden volgens wat in paragraaf "5.1 Opleveringstest" aangegeven is.**

## 7.4) Speciale functies

### 7.4.1) Functie "Open Altijd"

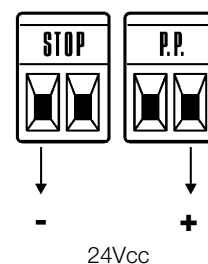
De functie "Open Altijd" is een eigenschap van de besturingseenheid waardoor het mogelijk is altijd een openingsmanoeuvre aan te sturen wanneer de instructie "Stap-voor-Stap" langer dan 3 seconden duurt; dit is met name nuttig bij het aansluiten van het contact van een tijdschakelklok op het klemmetje P.P. om de deur tijdens een bepaald tijdsbestek open te houden. Deze eigenschap is geldig ongeacht de programmering van de ingang PP (zie parameter "Functie PP" in tabel 17).

### 7.4.2) Functie "Beweeg in ieder geval"

Mocht de een of andere veiligheidsinrichting niet correct werken of buiten gebruik zijn, dan is het toch mogelijk de deur in de modus "Iemand aanwezig" aan te sturen en te manoeuvreren. Zie voor de details de paragraaf "Bediening terwijl de veiligheidsinrichtingen buiten gebruik zijn" in de bijlage "Aanwijzingen en aanbevelingen bestemd voor de gebruiker van de reductiemotor SPIN".

### 7.5) Aansluiting van andere inrichtingen

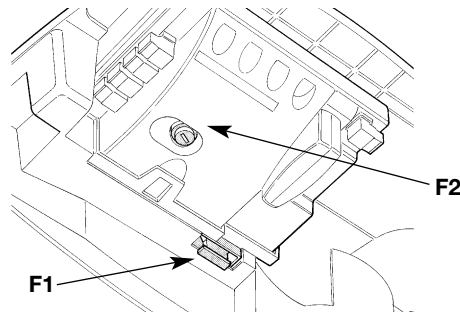
Mocht het nodig zijn externe inrichtingen zoals bijvoorbeeld een lezer voor transponderkaarten of het lampje van de verlichting van de sleutelschakelaar van stroom te voorzien, dan kunt u de stroom aansluiten zoals op afbeelding 46 te zien is. De spanning van de stroomtoevoer is 24Vcc -30% ÷ +50% met maximale beschikbare stroom van 100mA.



46

## 7.6) Oplossen van problemen

In onderstaande tabel kunt u nuttige aanwijzingen vinden om eventuele storingen te verhelpen die u tijdens de installatie of bij een eventueel defect tegen kunt komen.



47

**Tabel 23: Opsporen van storingen**

SYMPTOMEN	MOGELIJKE OORZAAK EN EVENTUELE REMEDIE
De radiozender stuurt de deur aan en het ledlampje op de zender gaat niet branden	Controleer of de batterijen van de zender leeg zijn; vervang ze zo nodig.
De radiozender stuurt de deur aan, maar het ledlampje op de zender gaat branden.	Controleer of de zender correct in het geheugen van de radio-ontvanger is opgeslagen.
Er wordt geen enkele manoeuvre aangestuurd en het ledlampje "BlueBUS" knippert niet	Controleer of de stroomvoorziening naar de SPIN van de elektriciteitsleiding een spanning van 230V heeft. Vergewis u ervan dat de zekeringen F1 en F2 niet onderbroken zijn; zo ja, dan dient u de oorzaak van de storing op te sporen en ze met andere met dezelfde stroomwaarde en kenmerken te vervangen.
Er wordt geen enkele manoeuvre aangestuurd en het knipperlicht is uit	Controleer of de instructie daadwerkelijk ontvangen is. Als de instructie de ingang PP bereikt, moet het desbetreffende ledlampje "PP" gaan branden; als daarentegen de radiozender wordt gebruikt, dient het ledlampje "BlueBus" twee maal snel te knipperen.
De manoeuvre gaat niet van start en het gebruikerslicht knippert enkele malen	Tel het aantal malen dat dat licht knippert en controleer aan de hand van de gegevens in tabel 24.
De manoeuvre gaat van start, maar onmiddellijk daarna vindt er een korte terugloop plaats	De geselecteerde kracht zou te klein kunnen zijn om de deur te laten bewegen. Controleer of er geen obstakels zijn en selecteer eventueel een grotere kracht.
De manoeuvre wordt uitgevoerd maar de op de uitgang FLASH gekoppelde inrichting werkt niet	Controleer of de op de uitgang "FLASH" aangesloten inrichting ook daadwerkelijk de geprogrammeerde inrichting is. Controleer of wanneer de inrichting van stroom voorzien dient te worden, er spanning op het klemmetje van die inrichting staat; als er spanning op staat, ligt het probleem bij de inrichting die vervangen zal moeten worden met een die dezelfde kenmerken bezit. Als er geen spanning op staat, betekent dit dat er een elektrische overbelasting op de uitgang staat. Controleer of er geen kortsluiting in de kabel is.

## 7.7) Diagnostiek en signaleringen

Sommige inrichtingen geven zelf al speciale signaleringen waardoor het mogelijk is de bedrijfsstatus of eventuele storing te herkennen.

### 7.7.1) Signalering met knipperlicht en gebruikerslicht

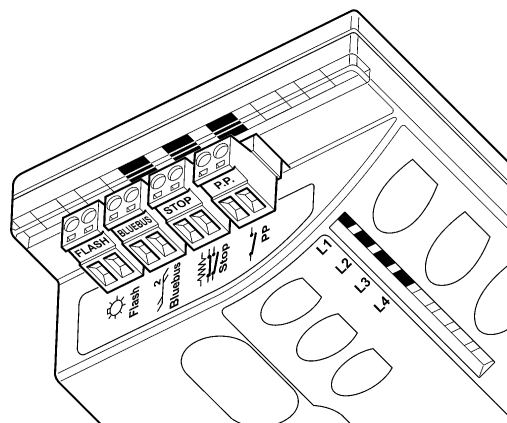
Als de uitgang FLASH geprogrammeerd is en op een knipperlicht wordt aangesloten, zal dit tijdens de manoeuvre één maal per seconde knipperen; wanneer er een storing is, zal het kortere knipperingen geven; deze knipperingen worden twee maal herhaald met daartussen een pauze van een seconde. Het gebruikerslicht geeft dezelfde diagnose-signaleringen.

**Tabel 24: signaleringen op het knipperlicht FLASH**

Snelle knipperingen	Oorzaak	HANDELING
1 knippering pauze van 1 seconde 1 knippering	Fout op de BlueBUS	Bij het begin van de manoeuvre komt de controle van de op BLUEBUS aangesloten inrichtingen niet overeen met welke tijdens de herkenningfase in het geheugen zijn opgeslagen. Het kan zijn dat er defecte inrichtingen zijn, controleer ze en vervang ze; als er wijzigingen zijn aangebracht dient de herkenningprocedure opnieuw uitgevoerd te worden (7.3.4 Herkennen van andere inrichtingen).
2 knipperingen pauze van 1 seconde 2 knipperingen	Inwerkingtreding van een fotocel	Bij het begin van de manoeuvre geven één of meer fotocellen geen toestemming tot de manoeuvre, controleer of er obstakels zijn. Het is normaal tijdens de manoeuvre als er daadwerkelijk een obstakel is.
3 knipperingen pauze van 1 seconde 3 knipperingen	Inwerkingtreding van de begrenzer van de "Kracht Motor"	Tijdens de manoeuvre heeft de deur meer wrijving ondervonden; controleer de oorzaak
4 knipperingen pauze van 1 seconde 4 knipperingen	Inwerkingtreding van de ingang STOP	Bij het begin van de manoeuvre of tijdens de manoeuvre is de ingang di STOP in werking getreden; controleer de oorzaak
5 knipperingen pauze van 1 seconde 5 knipperingen	Fout in de interne parameters van de elektronische besturingseenheid	Wacht tenminste 30 seconden en probeer dan opnieuw een instructie te geven; als er geen verandering in de status optreedt, zou er een ernstig defect kunnen zijn en dient de elektronische kaart vervangen te worden
6 knippering pauze van 1 seconde 6 knipperingen	De maximumlimiet voor manoeuvres per uur is overschreden.	Wacht enkele minuten dat de begrenzer van de manoeuvres weer onder de maximumlimiet komt
7 knipperingen pauze van 1 seconde 7 knipperingen	Fout in de interne elektrische circuits	Koppel alle circuits enige seconden van de stroomtoevoer los; probeer daarna een instructie te geven; als er geen verandering in de status optreedt, zou er een ernstig defect op de kaart kunnen zijn of in de bekabeling van de motor. Controleer en vervang eventueel.

### 7.7.2) Signaleringen op de besturingseenheid

Op de besturingseenheid van SPIN bevinden zich een reeks ledlampjes die elk bepaalde signaleringen kunnen geven, zowel wanneer alles normaal functioneert als bij storingen.



48

**Tabel 25: ledlampjes op de klemmetjes van de besturingseenheid**

Ledlampje BLUEBUS	Oorzaak	AZIONE
Uit	Storing	Controleer of er stroom is; controleer of de zekeringen niet in werking getreden zijn; is dat het geval, controleer dan de oorzaak van de storing en vervang de zekeringen vervolgens met andere met dezelfde waarde
Aan	Ernstige storing	Er is een ernstige storing opgetreden; probeer de besturingseenheid enkele seconden uit te zetten; als deze status niet verandert, is er een defect en dient de elektronische kaart vervangen te worden
Eén knippering per seconde	Alles OK	Normale werking van de besturingseenheid
2 snelle knipperingen	Er is een wijziging opgetreden in de status van de ingangen	Dit is normaal wanneer er een wijziging optreedt op één van de ingangen: PP, STOP, of wanneer de fotocellen in werking treden of de radiozender gebruikt wordt
Serie knipperingen met daartussen een pauze van un seconde	Verschillende	Dit is dezelfde signalering als die op het knipperlicht of gebruikerslicht. Zie Tabel 24
Ledlampje STOP	Oorzaak	HANDELING
Uit	Inwerkingtreding van de ingang STOP	Controleer de op de ingang STOP aangesloten inrichtingen
Aan	Alles OK	Ingang STOP actief
Ledlampje P.P.	Oorzaak	HANDELING
Uit	Alles OK	Ingang PP niet actief
Aan	Inwerkingtreding van de ingang PP	Dit is normaal wanneer de op de ingang PP aangesloten inrichting daadwerkelijk actief is

**Tabel 26: ledlampjes op de toetsen van de besturingseenheid**

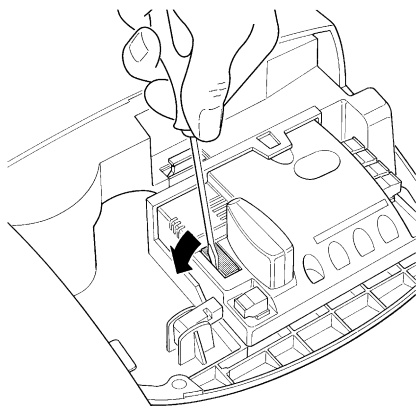
Ledlampje L1	Beschrijving
Uit	Bij normaal functioneren geeft dit aan: "Automatische Sluiting" niet actief
Aan	Bij normaal functioneren geeft dit aan: "Automatische Sluiting" actief
Knippert	<ul style="list-style-type: none"> <li>• Programmering van de actuele functies</li> <li>• Indien dit samen met L2 knippert, betekent dit dat het noodzakelijk is de procedure voor het herkennen van de de inrichtingen uit te voeren (zie paragraaf "4.2 Herkennen van de inrichtingen").</li> </ul>
Ledlampje L2	Beschrijving
Uit	Bij normaal functioneren geeft dit aan: "Terugloop Na Foto" niet actief.
Aan	Bij normaal functioneren geeft dit aan: "Terugloop Na Foto" actief.
Knippert	<ul style="list-style-type: none"> <li>• Programmering van de actuele functies</li> <li>• Indien dit samen met L1 knippert, betekent dit dat het noodzakelijk is de procedure voor het herkennen van de inrichtingen uit te voeren (zie paragraaf "4.2 Herkennen van de inrichtingen").</li> </ul>
Ledlampje L3	Beschrijving
Uit	Bij normaal functioneren geeft dit aan: "Kracht Motor" voor "zware" deuren.
Aan	Bij normaal functioneren geeft dit aan: "Kracht Motor" voor "lichte" deuren
Knippert	<ul style="list-style-type: none"> <li>• Programmering van de actuele functies</li> <li>• Indien dit samen met L4 knippert, betekent dit dat het noodzakelijk is de procedure voor het herkennen van de openings- en sluitstanden van de deur uit te voeren (zie paragraaf "4.3 Herkennen van de openings-en sluitstanden van de deur").</li> </ul>
Ledlampje L4	Beschrijving
Uit	Bij normaal functioneren geeft dit aan: "Stand-By" niet actief.
Aan	Bij normaal functioneren geeft dit aan: "Stand-By" actief.
Knippert	<ul style="list-style-type: none"> <li>• Programmering van de actuele functies</li> <li>• Indien dit samen met L3 knippert, betekent dit dat het noodzakelijk is de procedure voor het herkennen van de waarden uit te voeren (zie paragraaf "4.3 Herkennen van de openings-en sluitstanden van de deur").</li> </ul>

## 7.8) Accessoires

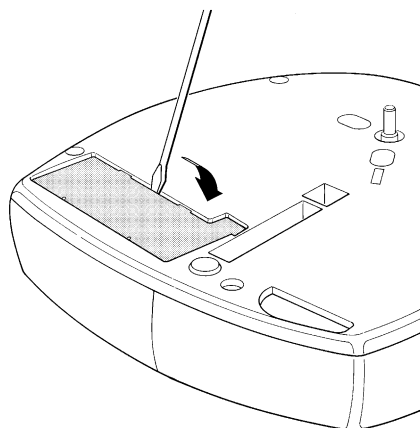
Voor SPIN zijn onderstaande facultatieve accessoires beschikbaar. Raadpleeg de catalogus producten van Nice S.p.A. voor de complete en bijgewerkte lijst met accessoires.

### Voor SN6031 en SN6041

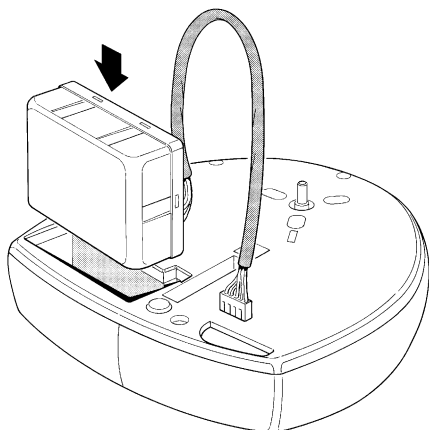
- PS124 Bufferbatterij 24V - 1,2Ah met geïntegreerde batterij-oplader.



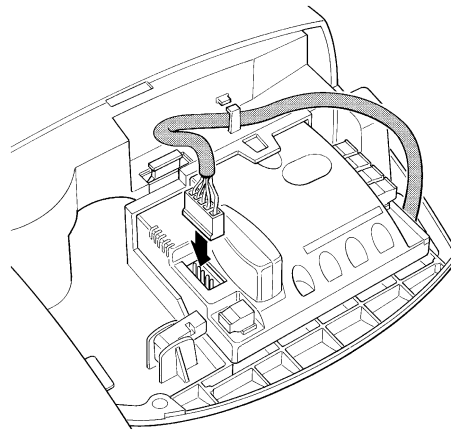
49



50



51



52

### Voor SN6031 en SN6041

- SMXI of SMXIS Radio-ontvanger op 433,92MHz met digitale codering Rolling code.

### Voor SN6031

- SNA5 Geleiderail met één enkel profiel van 3 m uit verzinkt staal. Riemaandrijving met 4 kernen van staal.

### Voor SN6031 en SN6041

- SNA6 Geleiderail met 2 profielen van 4m (3m + 1m) uit verzinkt staal. Riemaandrijving met 6 kernen van staal.

### Voor allemaal

- SPA2 Mechanische ontgrendeling met metalen kabeltje. Te gebruiken in die installaties waarvan de enige toegang de te automatiseren deur is.

### Voor allemaal

- SPA5 Kantelarm. Deze is noodzakelijk wanneer de te automatiseren deuren een kanteldeur betreft, zowel met tegengewichten als met veren.



## 8) Technische gegevens

Teneinde haar producten steeds meer te vervolmaken behoudt NICE S.p.a. zich het recht voor op elk gewenst moment en zonder voorbericht wijzigingen in haar producten aan te brengen, waarbij functionaliteit en gebruiksbestemming echter gehandhaafd blijven. Alle technische gegevens hebben betrekking op een omgevingstemperatuur van 20°C (±5°C).

<b>Technische gegevens: SPIN</b>			
<b>Model type</b>	<b>SN6021</b>	<b>SN6031</b>	<b>SN6041</b>
Typologie	Elektromechanische reductiemotor voor het automatische manoeuvreren van garagedeuren voor particulier gebruik compleet met elektronische besturingseenheid		
Rondsel	Doorsnede 9,5mm, 28 tanden; voor geleiderails SNA5, SNA6 en geleiderails megeleverd bij SPIN20KCE, SPIN30 en SPIN40		
Maximumkoppel bij de start [overeenkomende met de capaciteit een dusdanige kracht te ontwikkelen dat de vleugel in beweging komt]	11.7Nm [650N]	11.7Nm [650N]	18Nm [1000N]
Nominale koppel [overeenkomende met de capaciteit een dusdanige kracht te ontwikkelen dat de vleugel blijft lopen]	5.85Nm [345N]	5.85Nm [345N]	9Nm [560N]
Snelheid loos [overeenkomend met] indien de geprogrammeerde snelheid "Snel" is	106 rpm [0,20m/s] De besturingseenheid biedt de mogelijkheid 4 snelheden te programmeren te weten op circa 100% - 85% - 70% - 55% circa		
Snelheid bij het nominale koppel [overeenkomend met] indien de geprogrammeerde snelheid "Snel" is	53 rpm [0,08m/s]		
Maximale frequentie werkingscycli	50 cycli / dag (de besturingseenheid beperkt de cycli tot het maximum zoals voorzien in de tabellen 4 en 5)		
Maximumduur continue werking	3 minuten (de besturingseenheid beperkt de continue werking tot het maximum zoals voorzien in de tabellen 4 en 5)		
Gebruikslimieten	Over het algemeen is SPIN in staat sectionaaldeuren of kanteldeuren te automatiseren waarvan de afmetingen vallen binnen die welke in tabel 3 staan en volgens de limieten zoals voorzien in de tabellen 4 en 5.		
Stroomtoevoer SPIN Stroomtoevoer SPIN/V1	230Vac (±10%) 50/60Hz. 120Vac (±10%) 50/60Hz.		
Maximaal opgenomen vermogen	250W	250W	370W
Lager verbruik bij Stand-By	---	Minder dan 2,2W	Minder dan 2,5W
Isoleringsklasse	1 (aarding is noodzakelijk)		
Stroomtoevoer bij stroomuitval	---	Met accessoire PS124	Met accessoire PS124
Gebruikerslicht SPIN Gebruikerslicht SPIN/V1	12V-21W fitting BA15 12V-21W fitting BA15	230V-60W fitting E27 120V-60W fitting E27	230V-60W fitting E27 120V-60W fitting E27
Uitgang FLASH	Indien geprogrammeerd als "SPIA": voor een controlelampje 24V-5W maximaal Indien geprogrammeerd als "Knipperlicht": voor 1 knipperlicht LUCYB (12V, 21W) Indien geprogrammeerd als "Elektrische vergrendeling": voor elektromechanische vergrendeling 24V-10W maximaal Indien geprogrammeerd als "Zuignap" voor elektromechanische zuignap 24V- 10W maximaal		
Maximale belasting uitgang BLUEBUS	2	6	6
Ingang STOP	Voor normaal gesloten contacten, normaal open contacten en/of voor constante weerstand 8,2KΩ, met automatische herkenning van de "normale" status (een verandering ten opzichte van de opgeslagen status veroorzaakt de instructie "STOP")		
Ingang PP	Voor normaal open contacten (sluiting van het contact geeft de instructie P.P.)		
Ingang ANTENNE Radio	52Ω or kabeltype RG58 of dergelijke		
Radio-ontvanger	Insteek "SM" voor ontvangers type SMXI of SMXIS		
Programmeerbare functies	4 functies van het type ON-OFF en 4 instelbare functies (zie de tabellen 15 en 17)		
Zelflerende functies	Automatische herkenning van de op de uitgang BlueBUS aangesloten inrichtingen Automatische herkenning van het type inrichting "STOP" (contact NO, NC of weerstand 8,2KΩ) Automatische herkenning van de openings-en sluitstanden van de deur en berekening van de vertragingpunten en Gedeeltelijke opening		
Bedrijfstemperatuur	-20°C ÷ 50°C		
Gebruik in bijzonder zure, zoute of potentieel explosieve omgeving	Nee		
Beschermingsgraad	IP 40 alleen bij toepassing binnenshuis of in een beschermde ruimte		
Afmetingen / gewicht	311x327 h 105 / 3,6Kg		311x327 h 105 / 4,7Kg

**Technische gegevens geleiderails**

Model type	Geleiderail aanwezig in SPIN20KCE e SPIN30	Geleiderail aanwezig in SPIN40	SNA5	SNA6
Typologie	profiel van 3 stukken uit verzinkt staal		één enkel profiel uit verzinkt staal	profiel van 2 stukken uit verzinkt staal
Lengte geleiderail	3.15m	3.15m	3.15m	4.15m
Hoogte geleiderail	35mm	35mm	35mm	35mm
Nuttige lengte	2.5m	2.5m	2.5m	3.5m
Lengte riem	6m	6m	6m	8m
Hoogte riem	6mm	10mm	6mm	10mm
Trekweerstand	730N	1220N	730N	1220N

Technische gegevens	radio-ontvanger: SMXI	radio-ontvanger: SMXIS
Typologie	Ontvanger met 4 kanalen voor radiobesturing	
Frequentie	433.92MHz	
Codiering	Digitale 52 bits Rolling code, type FLOR	Digitale 64 bits Rolling code, type SMILO
Compatibiliteit zenders	FLOR, VERY VR; alleen enkele groep: ERGO, PLANO, PLANOTIME	SMILO
Aantal zenders dat opgeslagen	kan worden Maximaal 256 bij geheugenopslag in Modus I	
Impedantie ingang	52Ω	
Gevoeligheid	beter dan 0.5μV	
Bereik van de zenders	Van 100 tot 150m, Deze afstand kan variëren wanneer er obstakels of eventuele elektromagnetische storingen zijn; ook is van invloed de plaats van de ontvangstantenne.	
Uitgangen	4 (op stekker SM)	
Bedrijfstemperatuur	-10°C ÷ 55°C	

Technische gegevens	zender: FLO2R-S	zender: SM2
Typologie	Zender met 2 kanalen voor radiobesturing	
Frequentie	433.92MHz	
Codiering	Digitale 52 bits Rolling code, type FLOR	Digitale 62 bits Rolling code, type SMILO
Toetsen	2	
Stroomtoevoer	12Vdc met batterij van het type 23A	
Opname	25mA	
Levensduur van de batterij	1 jaar, geschat op een basis van 20 instructies/dag met een duur van 1s bij 20°C (bij lage temperaturen vermindert de batterijwerking)	
Uitgestraald vermogen	100μW	
Afmetingen en gewicht	72 x 40 h 18mm / 30g	Doorsnede 48 h14mm / 19g
Beschermingsgraad	IP 40 (gebruik binnenshuis)	
Bedrijfstemperatuur	-40°C ÷ 85°C	

## Aanwijzingen en aanbevelingen bestemd voor de gebruiker van de reductiemotor SPIN

Deze aanwijzingen kunnen een aanvulling zijn op de "Aanwijzingen en aanbevelingen voor het gebruik van de automatisering" die de installateur aan de eigenaar van de automatisering zal overhandigen en die hiermee aangevuld dienen te worden.

**Proficiat** met de keuze van een product Nice voor uw automatisering! Nice S.p.a. produceert componenten voor het automatiseren van poorten, deuren, rolpoorten, rolluiken en zonwering: reductiemotors, besturingseenheden, afstandsbedieningen, waarschuwingslichten, fotocellen en accessoires. Nice gebruikt uitsluitend kwaliteitsmateriaal en -bewerkingen, en geroepen als zij zich voelt, zoekt ze naar vernieuwende oplossingen die haar apparaten - verzorgd in de technische esthetische en ergonomische aspecten - zo gebruiksvriendelijk mogelijk maakt: in het uitgebreide programma van Nice zal uw installateur ongetwijfeld dat product uitgekozen hebben dat het meest aan uw eisen beantwoordt. Nice is echter niet de fabrikant van uw automatiseringsinstallatie, die daarentegen het resultaat is van analyse, evaluatie, keuze van materialen, en het aanleggen daarvan door uw vertrouwensinstallateur. Elke automatisering is uniek en alleen uw installateur bezit de ervaring en het vakmanschap dat nodig is om een installatie volgens uw verlangens uit te voeren, veilig en betrouwbaar in de tijd, en vooral volgens de regelen der kunst, dat wil zeggen conform de geldende voorschriften. Een automatiseringsinstallatie is een groot gemak, een waardevol veiligheidssysteem en kan met een beetje aandacht tot in lengte van dagen duren. Ook al beantwoordt de automatisering in uw bezit aan het in normen en wetten voorgeschreven veiligheidsniveau, dit sluit niet uit dat er een "restrisco" bestaat, dat wil zeggen de mogelijkheid dat er gevaarlijke situaties kunnen ontstaan, die gewoonlijk te wijten zijn aan onverantwoordelijk of zelfs verkeerd gebruik; hierom willen wij u enige adviezen geven hoe u met de automatisering dient om te gaan teneinde elk eventueel probleem te voorkomen:

- **Voordat u de automatisering voor de eerste maal gaat gebruiken**, is het raadzaam u door de installateur te laten uitleggen waar de restrisco's ontstaan, en enkele minuten van uw tijd te besteden aan het lezen van deze handleiding **met aanwijzingen en aanbevelingen voor de gebruiker die de installateur** u overhandigd heeft. Bewaar deze handleiding voor eventuele toekomstige twijfels en geef haar aan een eventuele nieuwe eigenaar van de automatisering.
- **Uw automatisering is een machine die getrouwelijk uw instructies opvolgt**; onverantwoordelijk en oneigenlijk gebruik kan maken dat het een gevaarlijke machine wordt: laat de automatisering niet werken als er zich mensen, dieren of zaken binnen haar bereik bevinden.
- **Kinderen**: een automatiseringsinstallatie biedt een hoge graad van veiligheid, doordat ze met haar beveiligingssystemen de manoeuvre bij aanwezigheid van mensen of zaken onderbreekt en altijd een voorspelbare en veilige activering garandeert. Het is in ieder geval verstandig kinderen te verbieden in de buurt van de installatie te spelen en de afstandsbedieningen buiten hun bereik te houden om te voorkomen dat de installatie per ongeluk in werking komt: **het is geen speelgoed!**

- **Storingen**: Zodra u constateert dat de automatiseringsinstallatie niet werkt zoals ze dat zou moeten doen, dient u de stroomtoevoer naar de installatie te onderbreken en haar handmatig te ontgrendelen. Probeer niet zelf te repareren, maar roep de hulp van uw vertrouwensinstallateur in: intussen kan de installatie werken als een niet geautomatiseerde toegang, wanneer u de reductiemotor op de hieronder beschreven manier ontgrendeld hebt.

- **Onderhoud**: Zoals elke machine heeft uw installatie periodiek onderhoud nodig om haar zo lang mogelijk en geheel veilig te laten werken. Stel met uw installateur een onderhoudsplan met periodieke frequentie op; Nice raadt bij normaal gebruik bij een woning een onderhoudsbezoek om het half jaar aan, maar dit tijdsbestek kan variëren in functie van een meer of minder intensief gebruik. Alle controle-, onderhouds- of reparatiewerkzaamheden mogen uitsluitend door gekwalificeerd personeel worden uitgevoerd.

- Ook al bent u van mening dit te kunnen doen, breng geen wijzigingen aan de installatie en de programmerings- en afstellingsparameters van uw automatiseringsinstallatie aan: uw installateur is aansprakelijk.

- De opleveringstest, de periodieke onderhoudswerkzaamheden en de eventuele reparatiewerkzaamheden dienen gedocumenteerd te worden door wie die uitvoert en de documenten dienen door de eigenaar van de installatie bewaard te worden.

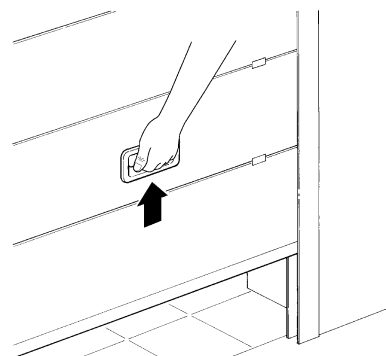
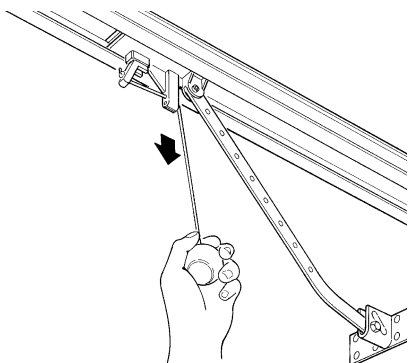
**De enige werkzaamheden** die de gebruiker regelmatig kan en moet uitvoeren zijn het reinigen van de glaszjes van de fotocellen en het verwijderen van bladeren en stenen die het automatisme in diens werking kunnen belemmeren. Om te voorkomen dat iemand de deur in beweging kan brengen dient u eraan te denken voordat u **dit gaat doen het automatisme** (zoals verderop beschreven) te ontgrendelen en voor het schoonmaken alleen een enigszins vochtige in water gedrenkte doek te gebruiken.

- **Afvalverwerking**: Als de automatisering niet meer gebruikt kan worden, dient u zich ervan te vergewissen dat de sloop daarvan door gekwalificeerd personeel wordt uitgevoerd en dat het materiaal volgens de plaatselijk geldende voorschriften wordt hergebruikt of naar de afvalverwerking wordt gezonden.

- **In geval van defecten of stroomuitval**: In afwachting van het bezoek van uw installateur, (of het terugkeren van de elektrische stroom als de installatie niet van bufferbatterijen voorzien is), mag de installatie gebruikt worden als elke andere niet-geautomatiseerde toegang. Hiertoe dient u de automatisering handmatig te ontgrendelen: aan deze handeling, die de enige is die de gebruiker van de automatisering mag uitvoeren, heeft Nice bijzonder veel aandacht besteed om u altijd een maximum aan gebruiksvriendelijkheid te garanderen, zonder dat u gereedschap moet gebruiken of fysieke kracht moet aanwenden.

**Ontgrendeling en handmatige manoeuvre:** prima di Voordat u dit gaat doen dient u erop te letten dat ontgrendeling alleen kan plaatsvinden wanneer de deur dicht is.

1. Trek het ontgrendelingskabeltje zo ver naar beneden totdat u hoort dat de wagen los komt.
2. Nu kunt u de deur handmatig bewegen
3. Om naar de automatische functie van het automatische terug te keren dient u de deur in de beginstand terug te brengen totdat u hoort dat de wagen vastgehaakt wordt.



**Bediening wanneer de veiligheidsinrichtingen buiten gebruik zijn:** indien de veiligheidsinrichtingen van de deur niet correct mochten functioneren, kunt u de deur toch bedienen.

- Activeer de bediening van de deur (met de afstandsbediening, sleutelschakelaar, etc.); als alles in orde is zal de deur normaal open of dicht gaan, anders zal het knipperlicht enkele malen knipperen en zal de manoeuvre niet van start gaan (het aantal malen dat het knipperlicht knippert heeft te maken met de reden waarom de manoeuvre niet van start kan gaan).
- In dit geval moet u de bedieningsinrichting binnen 3 seconden nogmaals **activeren** en **geactiveerd houden**.
- Na ongeveer 2s komt de deur in beweging en wel in de modus "iemand aanwezig", d.w.z. zolang de bedieningsinrichting geactiveerd blijft, beweegt de deur; zodra de bedieningsinrichting losgelaten wordt, stopt de deur.

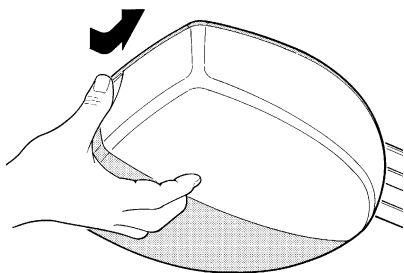
**Wanneer de beveiligingen buiten gebruik zijn, moet het automatische zo snel mogelijk gerepareerd worden.**

**Vervanging van de batterij van de afstandsbediening:** als uw afstandsbediening na enige tijd minder lijkt te werken, of helemaal niet te werken, zou dit eenvoudigweg kunnen komen omdat de batterij leeg is (afhankelijk van het type daarvan kan dat na verschillende maanden of na twee/drie jaar zijn). U kunt dit zien doordat het waarschuwingslampje dat de doorzending bevestigt, zwak brandt, of helemaal niet brandt, of slechts eventjes brandt. Voordat u zich tot de installateur wendt kunt u proberen de batterij van een andere zender die wél werkt, in te zetten: als dit de oorzaak van de storing is, behoeft u alleen maar een nieuwe batterij van hetzelfde type in te zetten.

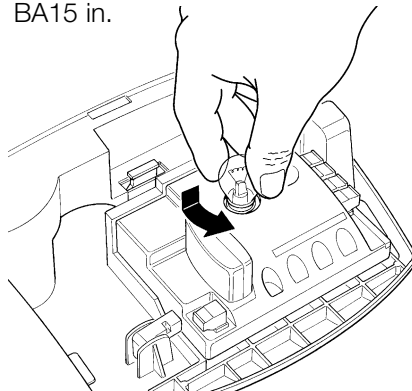
**Let op:** De batterijen bevatten vervuilende stoffen: gooi ze niet met het gewone huisvuil weg, maar gebruik de methoden die in de plaatselijke voorschriften voorzien zijn.

**Vervanging van de lamp:** voordat u dit gaat doen dient u eerst de stroomtoevoer naar de SPIN te onderbreken.

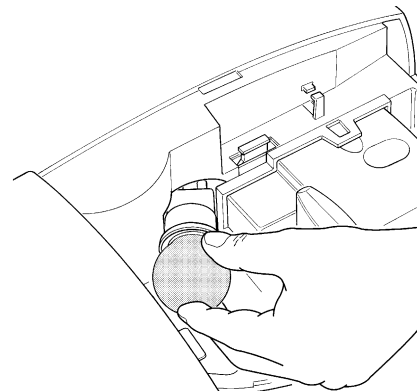
1. Open het witte plaatje door erop te drukken en het te laten draaien.



2. Voor SN6020KCE en SN6021: verwijder het lampje door het omhoog te drukken en daarna te laten draaien. Zet een nieuwe 12 V-lampje van 21W met fitting BA15 in.



3. Voor SN6030, SN6031, SN6040 en SN6041: draai het niet meer functionerende lampje los. Breng een nieuw lampje van 230V / 60W met fitting E27 aan.



**Bent u tevreden?** Indien u in uw huis nog een nieuwe automatiseringsinstallatie zou willen, kunt u zich, wanneer u zich tot dezelfde installateur en Nice wendt, van de adviezen van een specialist en de meest geavanceerde producten op de markt verzekeren. Het resultaat: een automatisering die het best functioneert en een maximale compatibiliteit met de andere automatiseringen. Wij bedanken u voor het lezen van deze aanbevelingen, en wij hopen dat u veel plezier van uw nieuwe installatie zult hebben: wend u voor elke vraag, nu of in de toekomst, vol vertrouwen tot uw installateur.

## Dichiarazione di conformità Declaration of Conformity

Dichiarazione CE di conformità secondo Direttiva 98/37/CE, Allegato II, parte B (dichiarazione CE di conformità del fabbricante)  
according to Directive 98/37/EC, Annex II, part B (CE declaration of conformity by manufacturer)

Numero 184/SPIN Revisione: 2  
Number Revision

Il sottoscritto Lauro Buoro in qualità di Amministratore Delegato, dichiara sotto la propria responsabilità che il prodotto  
The undersigned Lauro Buoro, managing director, declares under his sole responsibility that the following product:

Nome produttore: NICE s.p.a.  
Manufacturer's name

Indirizzo Via Pezza Alta 13, 31046 Z.I. Rustignè, Oderzo (TV) Italia  
Address

Tipo Motoriduttore elettromeccanico con centrale incorporata  
Type electromechanical gearmotor with incorporated control unit

Modelli SN6021, SN6031, SN6041  
Models

Accessori: Ricevente radio SMXI, SMXIS; batteria di emergenza PS124  
Accessories SMXI and SMXIS radio receivers; emergency battery PS124

Risulta conforme a quanto previsto dalle seguenti direttive comunitarie:  
Satisfies the essential requirements of the following Directives

98/37/CE (ex 89/392/CEE) DIRETTIVA 98/37/CE DEL PARLAMENTO EUROPEO E DEL CONSIGLIO del 22 giugno 1998 concernente il ravvicinamento delle legislazioni degli Stati membri relative alle macchine  
DIRECTIVE 98/37/CE COUNCIL of June 22, 1998, for the harmonisation of the legislations of member States regarding machines

Come previsto dalla direttiva 98/37/CE si avverte che non è consentita la messa in servizio del prodotto sopra indicato finché la macchina, in cui il prodotto è incorporato, non sia stata identificata e dichiarata conforme alla direttiva 98/37/CE.  
As specified in the directive 98/37/CEE use of the product specified above is not admitted until the machine on which it is mounted has been identified and declared as conforming to the directive 98/37/CEE.

Inoltre il prodotto risulta conforme a quanto previsto dalle seguenti direttive comunitarie, così come modificate dalla Direttiva 93/68/CEE del consiglio del 22 Luglio 1993:  
Furthermore, the product complies with the specifications of the following EC directives, as amended by the directive 93/68/CEE of the European Council of 22 July 1993:

73/23/CEE DIRETTIVA 73/23/CEE DEL CONSIGLIO del 19 febbraio 1973 concernente il riavvicinamento delle legislazioni degli Stati membri relative al materiale elettrico destinato ad essere adoperato entro taluni limiti di tensione  
Secondo la seguente norma armonizzata: EN 60335-1; e parte di EN 60335-2-95.  
73/23/ EEC DIRECTIVE 73/23/EEC OF THE COUNCIL of February 19, 1973 for the harmonisation of the legislations of member States regarding electrical equipment designed to be used within certain voltage limits  
In compliance with the following harmonised standard: EN 60335-1 and part of EN 60335-2-95.

89/336/CEE DIRETTIVA 89/336/CEE DEL CONSIGLIO del 3 maggio 1989, per il riavvicinamento delle legislazioni degli Stati membri relative alla compatibilità elettromagnetica  
Secondo le seguenti norme armonizzate: EN 61000-6-2; EN 61000-6-3  
89/336/ EEC DIRECTIVE 89/336/EEC OF THE COUNCIL of May 3, 1989, for the harmonisation of the legislations of member States regarding electromagnetic compatibility  
In compliance with the following harmonised standards: EN 61000-6-2; EN 61000-6-3.

Oderzo, 6 Maggio 2005  
Oderzo, 6 May 2005

  
Amministratore Delegato  
Managing Director  
Lauro Buoro







Nice

**Headquarter****Nice SpA**

Oderzo TV Italia  
Tel. +39.0422.85.38.38  
Fax +39.0422.85.35.85  
info@niceforyou.com

**Nice in Italy****Nice Padova**

Sarmeola di Rubano PD Italia  
Tel. +39.049.89.78.93.2  
Fax +39.049.89.73.85.2  
infopd@niceforyou.com

**Nice Roma**

Roma Italia  
Tel. +39.06.72.67.17.61  
Fax +39.06.72.67.55.20  
inforoma@niceforyou.com

**Nice worldwide****Nice France**

Buchelay  
Tel. +33.(0)1.30.33.95.95  
Fax +33.(0)1.30.33.95.96  
info@fr.niceforyou.com

**Nice Rhône-Alpes**

Decines Charpieu France  
Tel. +33.(0)4.78.26.56.53  
Fax +33.(0)4.78.26.57.53  
info@lyon.fr.niceforyou.com

**Nice France Sud**

Aubagne France  
Tel. +33.(0)4.42.62.42.52  
Fax +33.(0)4.42.62.42.50  
infomarseille@fr.niceforyou.com

**Nice Belgium**

Leuven (Heverlee)  
Tel. +32.(0)16.38.69.00  
Fax +32.(0)16.38.69.01  
info@be.niceforyou.com

**Nice España Madrid**

Tel. +34.9.16.16.33.00  
Fax +34.9.16.16.30.10  
info@es.niceforyou.com

**Nice España Barcelona**

Tel. +34.9.35.88.34.32  
Fax +34.9.35.88.42.49  
info@es.niceforyou.com

**Nice Polska**

Pruszków  
Tel. +48.22.728.33.22  
Fax +48.22.728.25.10  
info@pl.niceforyou.com

**Nice UK**

Chesterfield  
Tel. +44.87.07.55.30.10  
Fax +44.87.07.55.30.11  
info@uk.niceforyou.com

**Nice Romania**

Cluj Napoca  
Tel/Fax +40.264.45.31.27  
info@ro.niceforyou.com

**Nice Deutschland**

Gelnhausen-Hailer  
Tel. +49.60.51.91.52-0  
Fax +49.60.51.91.52-119  
info@de.niceforyou.com

**Nice China**

Shanghai  
Tel. +86.21.575.701.46  
+86.21.575.701.45  
Fax +86.21.575.701.44  
info@cn.niceforyou.com

**Nice USA Inc.**

Jacksonville, Fl.  
Tel. +001.904.786.7133  
Fax +001.904.786.7640  
info@us.niceforyou.com